



US00D481633S

(12) **United States Design Patent** (10) **Patent No.:** **US D481,633 S**  
**Schmidtner et al.** (45) **Date of Patent:** **\*\* Nov. 4, 2003**

(54) **LID FOR A BEVERAGE CONTAINER**

D447,412 S \* 9/2001 Durdon ..... D9/447

(75) Inventors: **Alois A. Schmidtner**, Hellertown, PA (US); **Jonathan E. Rush**, Easton, PA (US)

\* cited by examiner

*Primary Examiner*—Louis S. Zarfes

*Assistant Examiner*—Gregory Andoll

(73) Assignee: **Fort James Corporation**, Atlanta, GA (US)

(74) *Attorney, Agent, or Firm*—Finnegan, Henderson, Farabow, Garrett & Dunner, L.L.P.

(\*\*) Term: **14 Years**

(57) **CLAIM**

The ornamental design for a lid for a beverage container, as shown and described.

(21) Appl. No.: **29/171,426**

**DESCRIPTION**

(22) Filed: **Nov. 22, 2002**

**Related U.S. Application Data**

FIG. 1 is a perspective view of one embodiment of a lid of the present invention, the broken lines illustrating a beverage container forming no part of the claimed design;

(62) Division of application No. 10/151,934, filed on May 22, 2002.

FIG. 2 is a perspective view of the lid shown in FIG. 1, with a tab portion of the lid illustrated in an opened position, the broken lines illustrating a beverage container forming no part of the claimed design;

(51) **LOC (7) Cl.** ..... **09-07**

(52) **U.S. Cl.** ..... **D9/449; D9/447; D9/438; D9/435**

FIG. 3 is a top plan view of the lid shown in FIG. 1, with the tab portion illustrated in a closed position;

(58) **Field of Search** ..... D9/435, 443, 447, D9/454; 206/459.1; 220/254, 268, 380, 711, 712, 713, 718; D7/392, 392.1, 510, 511, 629

FIG. 4 is top plan view of the lid shown in FIG. 1, with the tab portion illustrated in the opened position;

(56) **References Cited**

**U.S. PATENT DOCUMENTS**

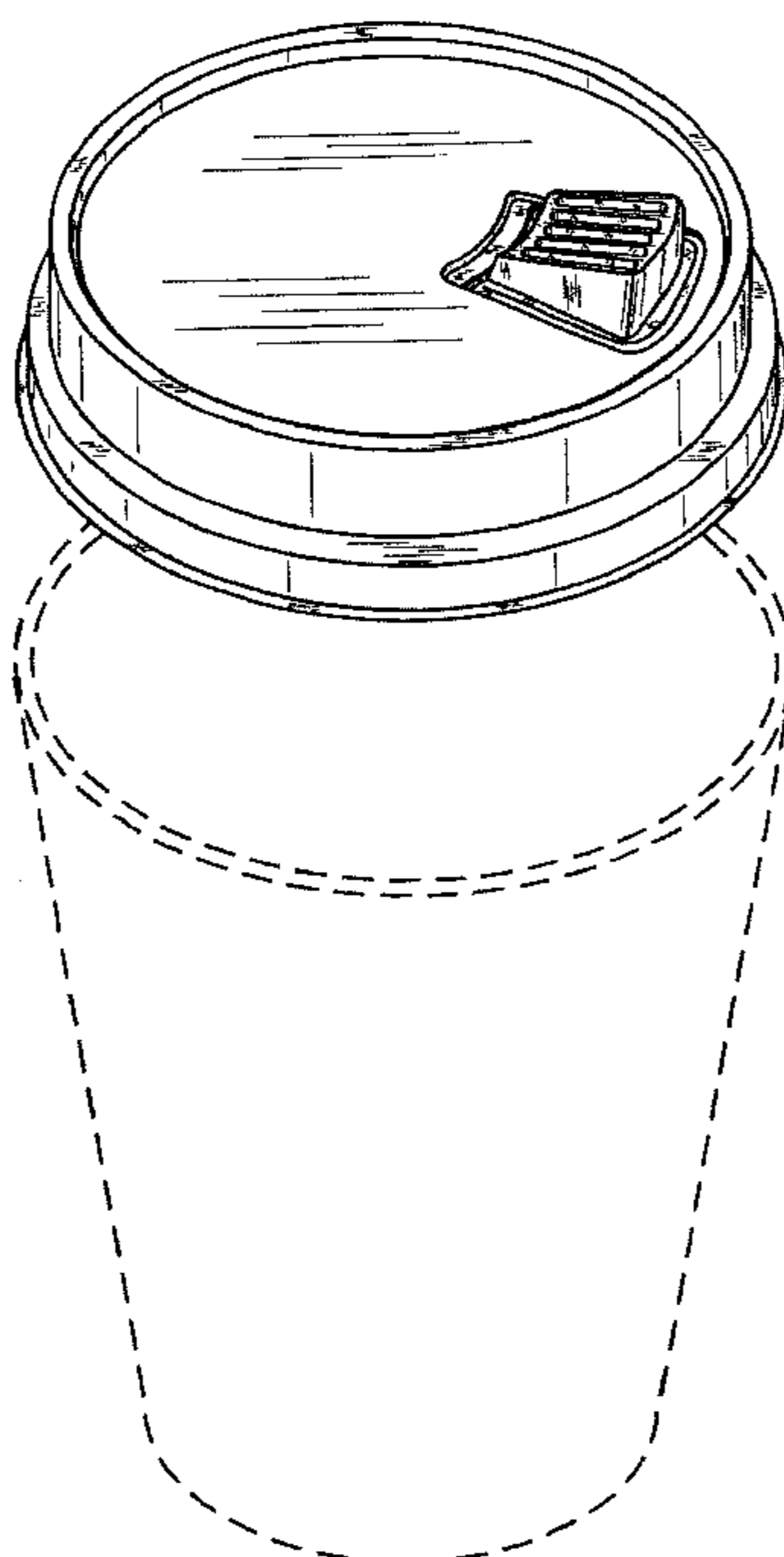
- D271,858 S \* 12/1983 Martin et al. .... D9/447
- D291,537 S \* 8/1987 Crawford et al. .... D9/440
- D292,889 S \* 11/1987 Ostrowski ..... D9/449
- D319,017 S \* 8/1991 Turner et al. .... D9/438
- 5,839,601 A \* 11/1998 Van Melle ..... 220/712
- D407,977 S \* 4/1999 Farris ..... D9/452
- D420,550 S \* 2/2000 Elshof ..... D7/510

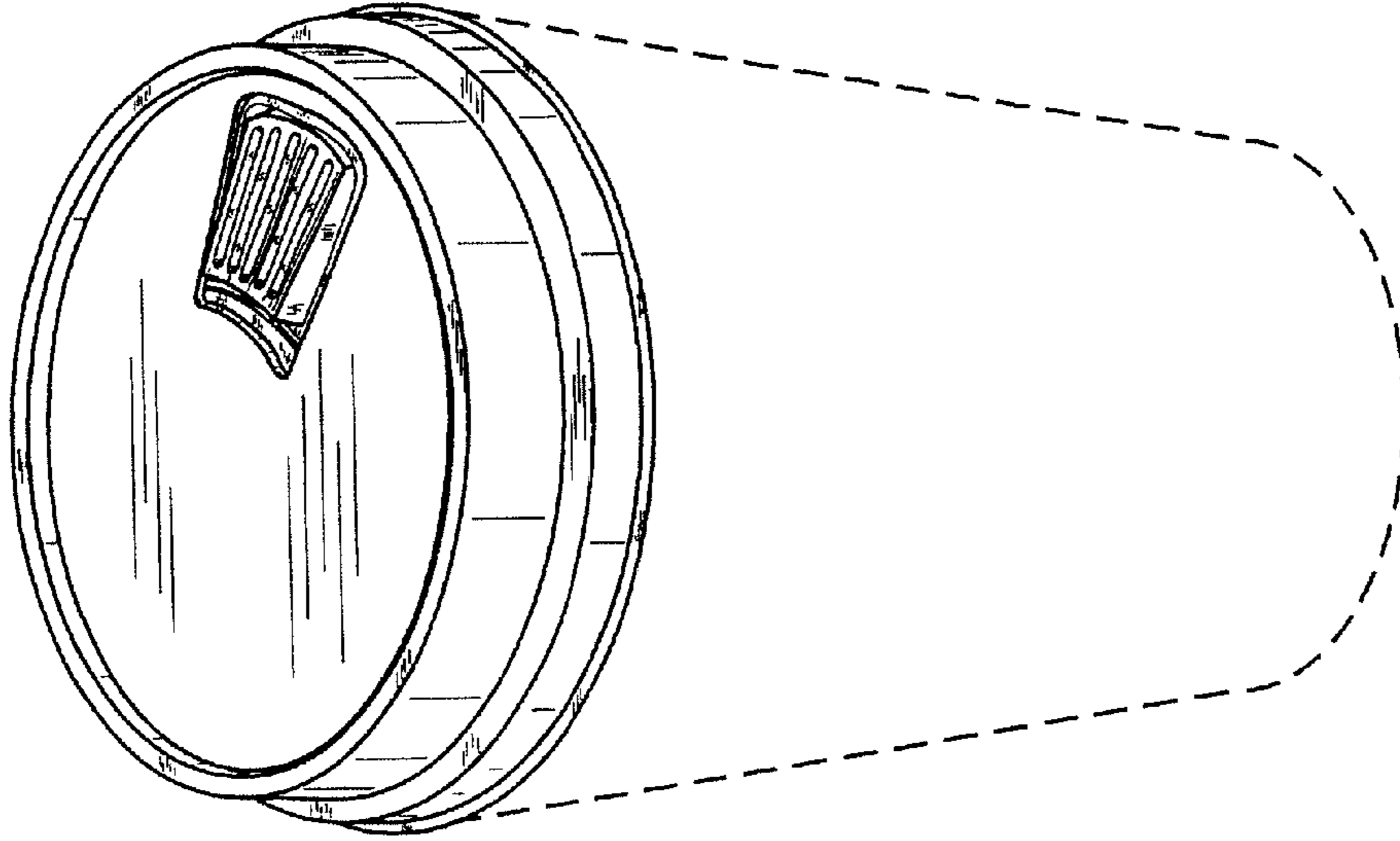
FIG. 5 is a perspective view of another embodiment of a lid of the present invention, the broken lines illustrating a beverage container forming no part of the claimed design; FIG. 6 is a perspective view of the lid shown in FIG. 5, with a tab portion of the lid illustrated in an opened position, the broken lines illustrating a beverage container forming no part of the claimed design;

FIG. 7 is a top plan view of the lid shown in FIG. 5, with the tab portion illustrated in a closed position; and,

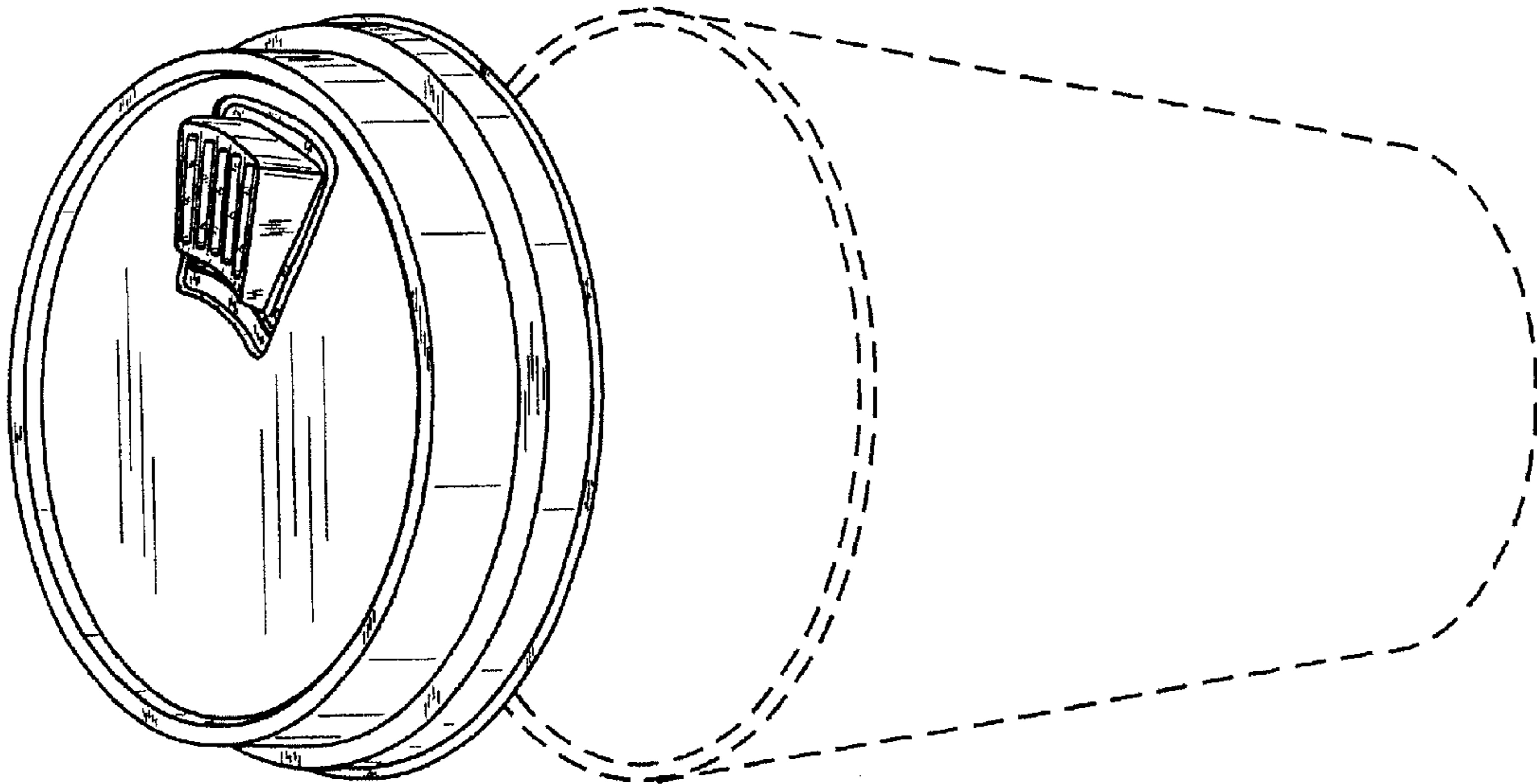
FIG. 8 is top plan view of the lid shown in FIG. 5, with the tab portion illustrated in the opened position.

**1 Claim, 4 Drawing Sheets**

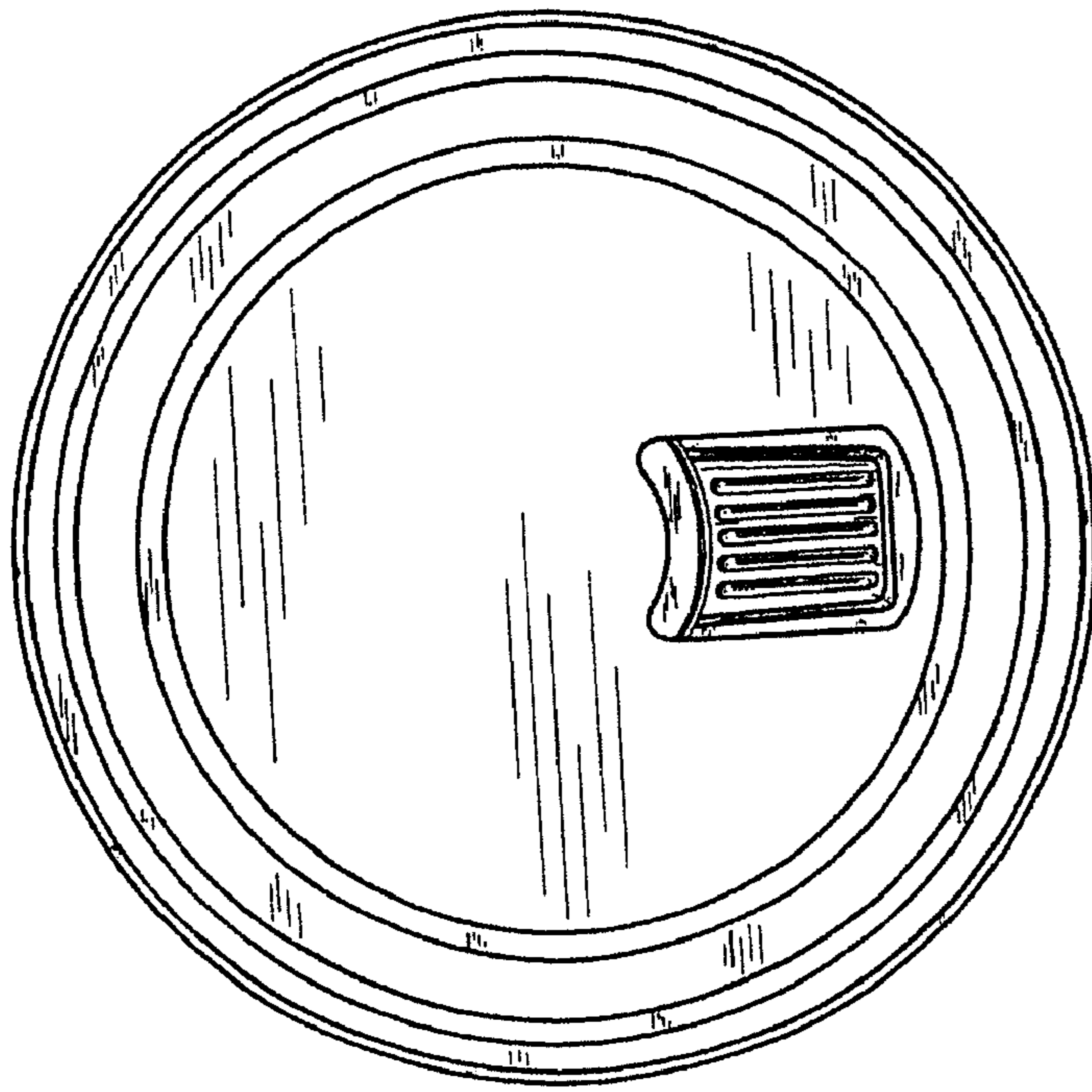




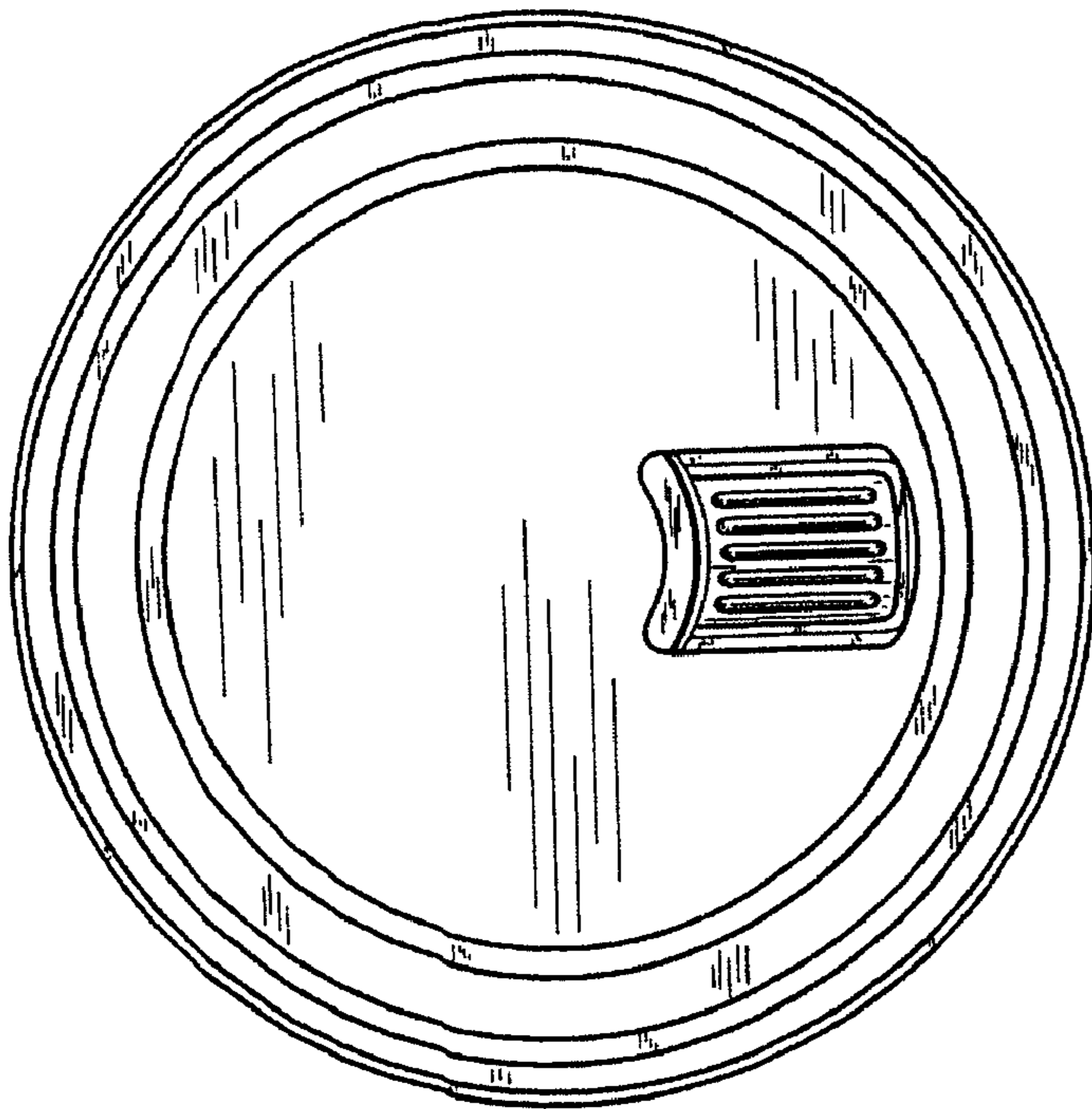
**FIG. 2**



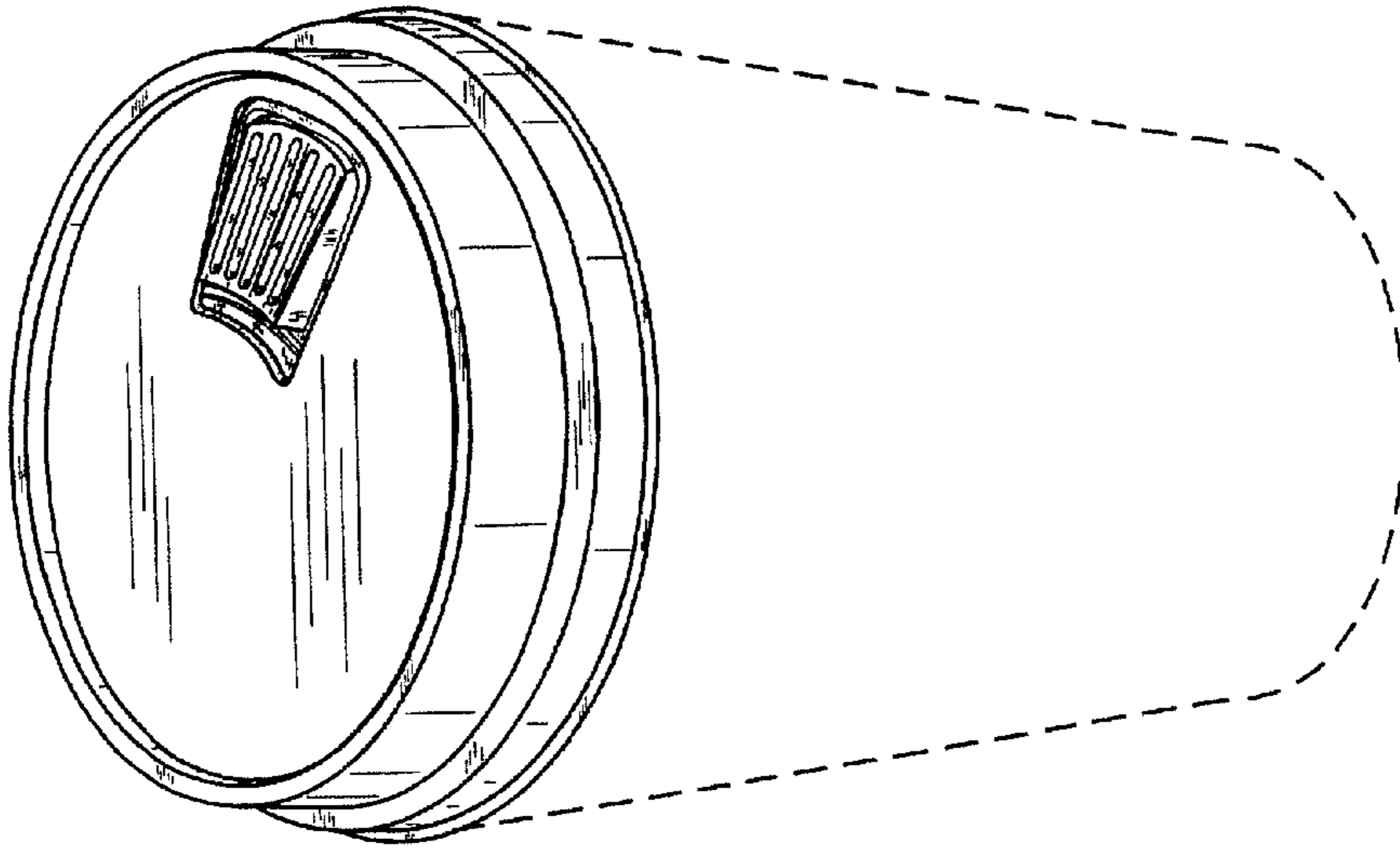
**FIG. 1**



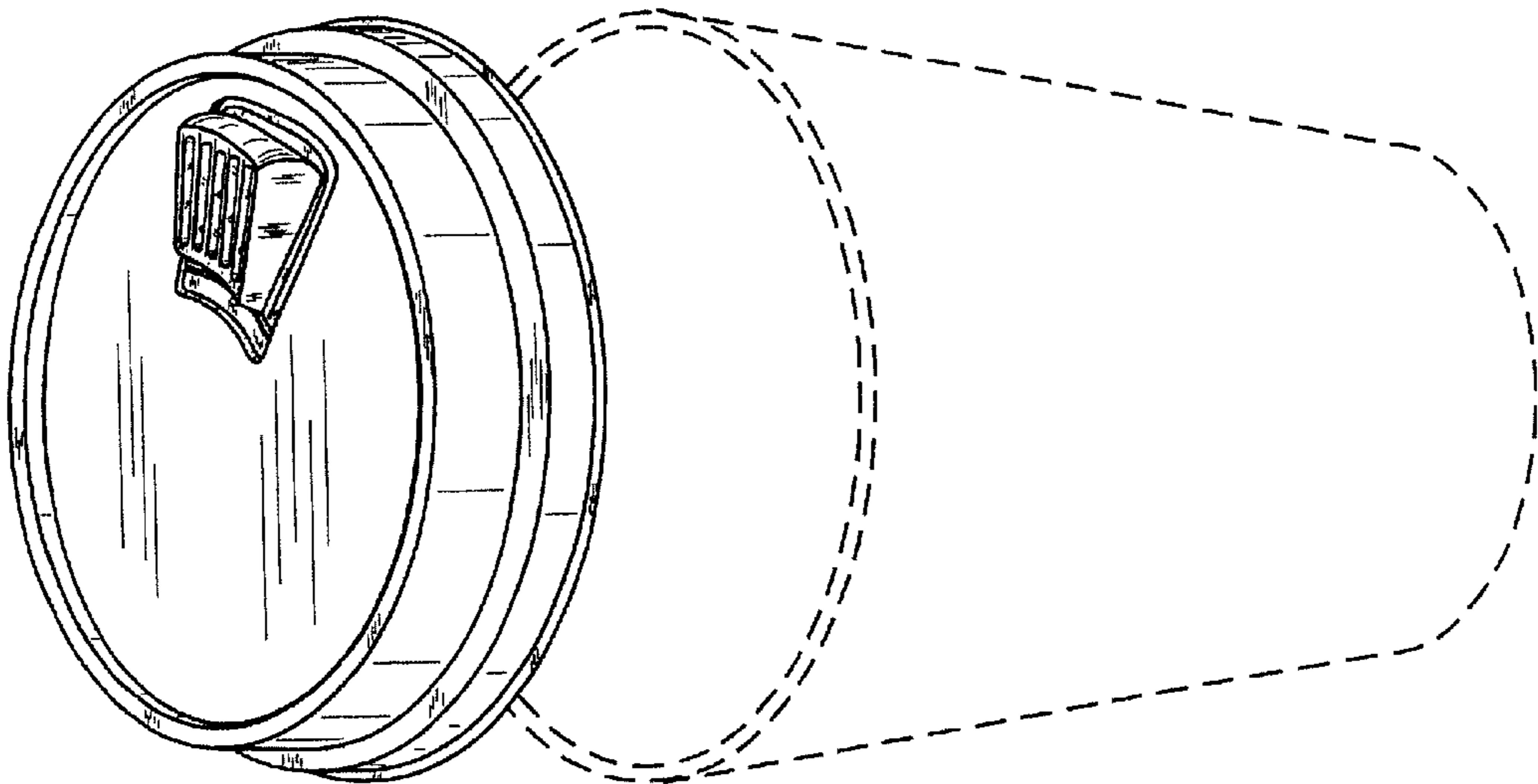
**FIG. 4**



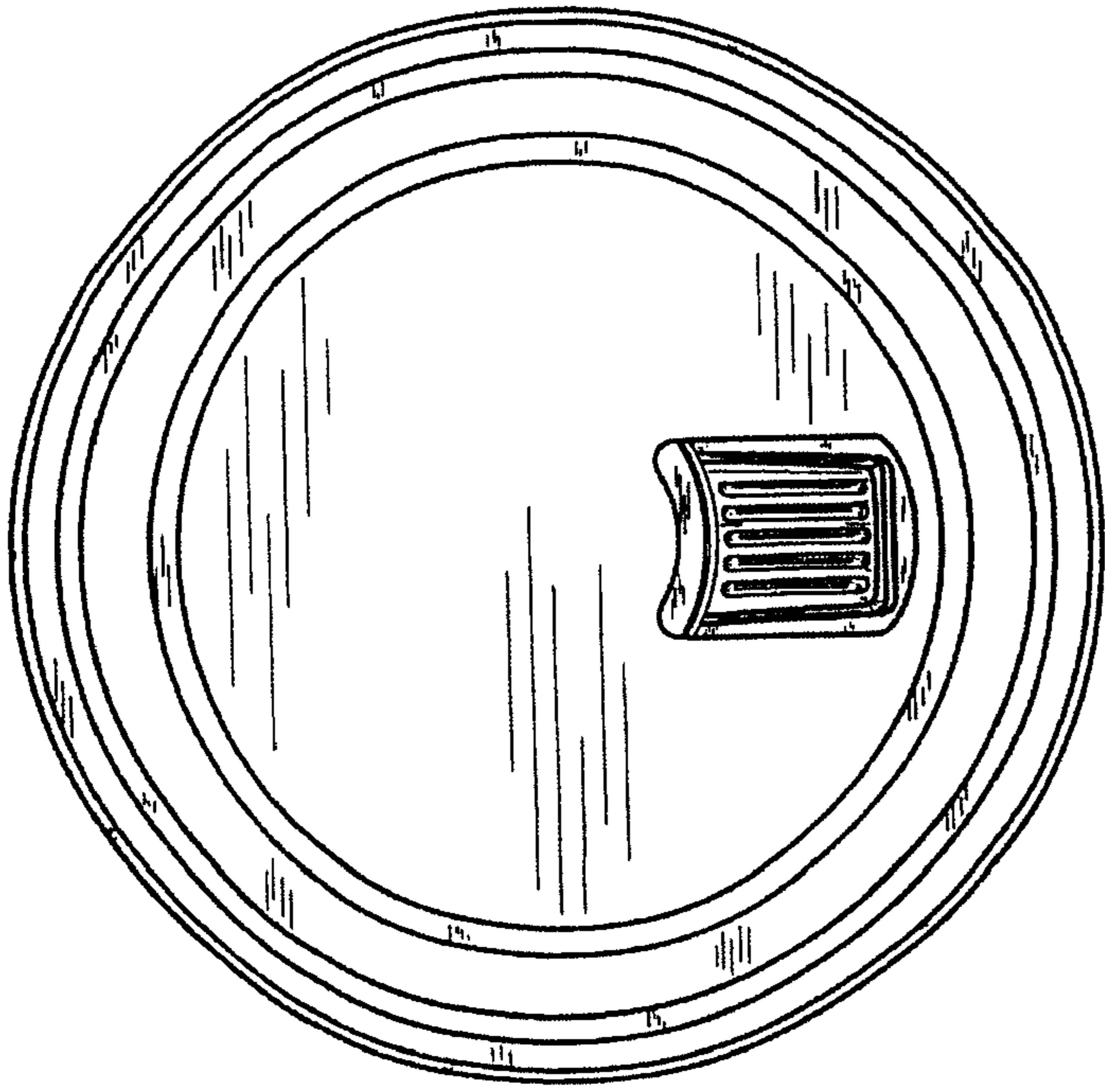
**FIG. 3**



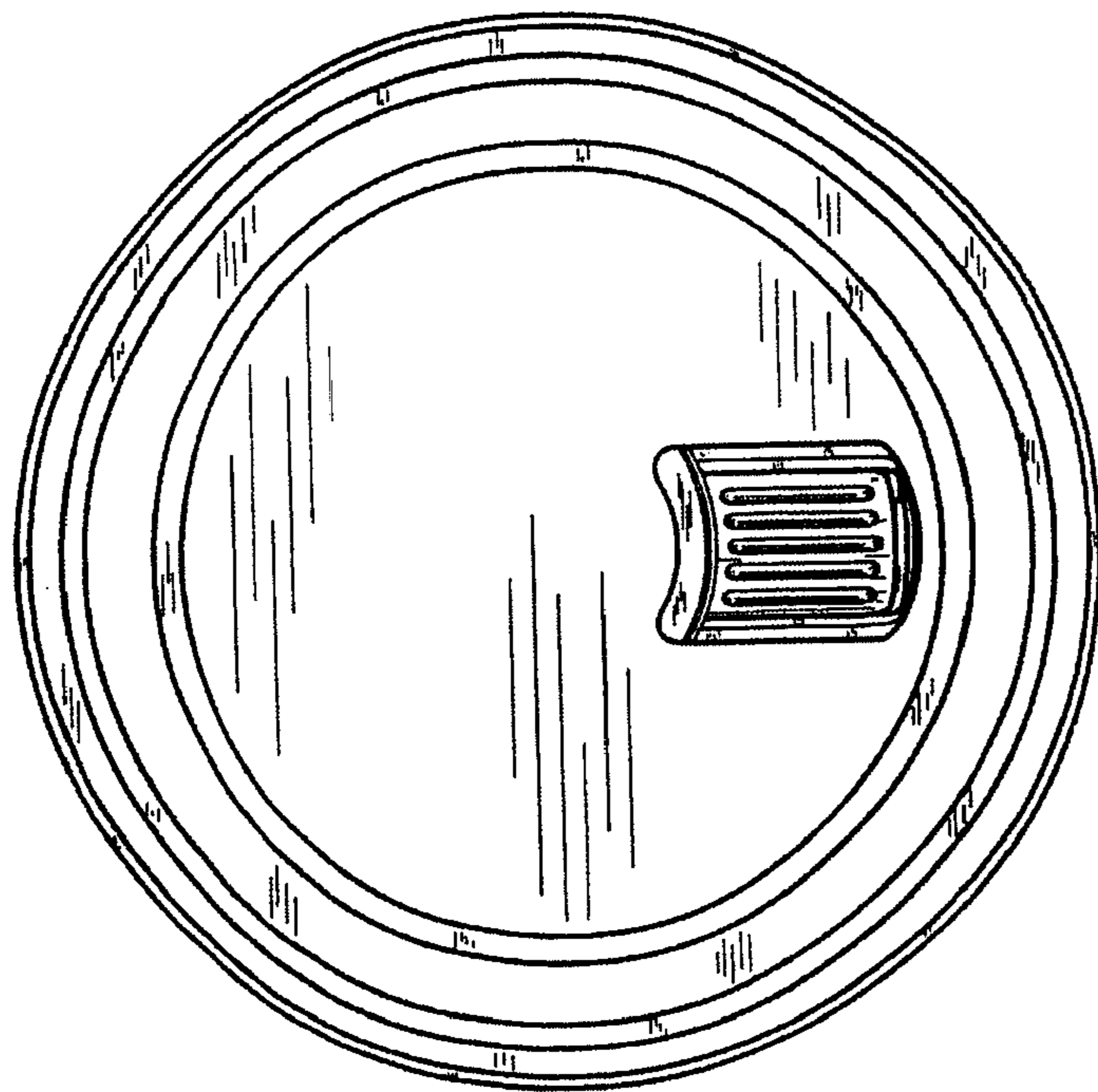
**FIG. 6**



**FIG. 5**



**FIG. 8**



**FIG. 7**

UNITED STATES PATENT AND TRADEMARK OFFICE  
**CERTIFICATE OF CORRECTION**

PATENT NO. : Des. 481,633 S  
DATED : November 4, 2003  
INVENTOR(S) : Alois A. Schmidtner et al.

Page 1 of 1

It is certified that error appears in the above-identified patent and that said Letters Patent is hereby corrected as shown below:

Title page,

**DESCRIPTION**, in the description of FIG. 2, "formins" should read -- forming --.  
Item [56], **References Cited**, please insert the following:

-- U.S. PATENT DOCUMENTS

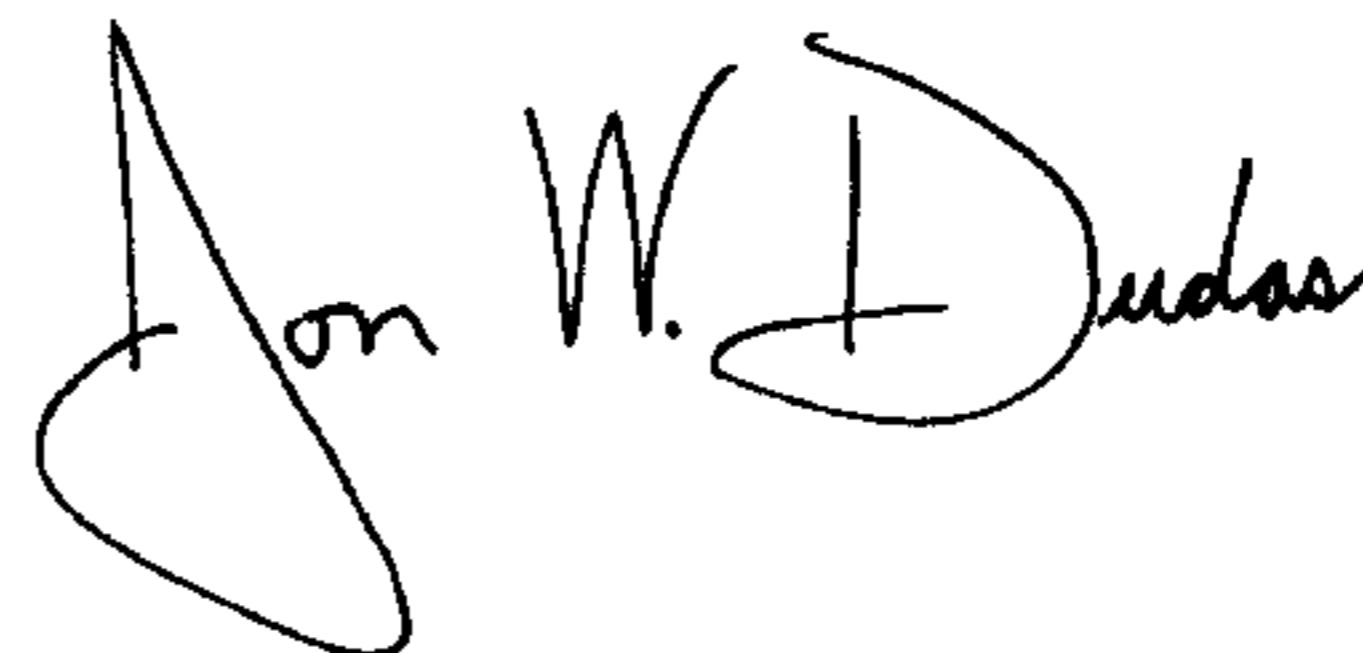
3,860,162	01/1975	Schutz
3,905,512	09/1975	Albert et al.
3,927,794	12/1975	Erdman
4,081,103	03/1978	Zoellick
4,113,135	09/1978	Yamazaki
4,138,033	02/1979	Payne et al.
4,184,604	01/1980	Amberg et al.
4,190,174	02/1980	Haimowitz
4,345,695	08/1982	Galloway et al.
4,361,249	11/1982	Tuneski et al.
4,412,629	11/1983	Dart et al.
4,441,623	04/1984	Antoniak
4,582,214	04/1986	Dart et al.
5,706,972	01/1998	Sousa
D402,556	12/1998	Frye
D449,986	11/2001	Schaefer
D457,779	05/2002	Gullickson et al.
D461,361	08/2002	Orr et al. --

-- OTHER REFERENCES

U.S. Application Serial No. 10/151,934, filed May 22, 2002  
U.S. Application Serial No. 29/171,422, filed November 22, 2002 --

Signed and Sealed this

Twenty-seventh Day of January, 2004



JON W. DUDAS

*Acting Director of the United States Patent and Trademark Office*