



US00D481632S

(12) **United States Design Patent**
Masotta et al.

(10) **Patent No.:** **US D481,632 S**

(45) **Date of Patent:** **** Nov. 4, 2003**

(54) **ACTUATOR**

(75) Inventors: **Vincent Michael Masotta**, Ridgefield, CT (US); **Craig Elliott Pirie**, Greenwich, CT (US); **James Edward McCay**, Fairfield, CT (US); **Peter Brian Clarke**, Fairfield, CT (US)

(73) Assignee: **Unilever Bestfoods, North America, division of Conopco, Inc.**, Englewood Cliffs, NJ (US)

(**) Term: **14 Years**

(21) Appl. No.: **29/176,748**

(22) Filed: **Feb. 26, 2003**

(51) **LOC (7) Cl.** **09-07**

(52) **U.S. Cl.** **D9/447; D9/435**

(58) **Field of Search** D9/544, 523, 447, D9/435; D7/511, 512; 426/115, 116; 222/570, 566, 567, 106

(56) **References Cited**

U.S. PATENT DOCUMENTS

D190,254 S * 5/1961 Trexler D9/447
3,430,826 A * 3/1969 Microulis 222/570
5,588,560 A * 12/1996 Benedict et al. 222/106

D420,287 S * 2/2000 Coppola D9/447
2002/0150657 A1 10/2002 Farr et al.
2002/0162458 A1 11/2002 Farr et al.

FOREIGN PATENT DOCUMENTS

WO 02/070371 9/2002
WO 02/070372 9/2002

* cited by examiner

Primary Examiner—Louis S. Zarfes

Assistant Examiner—Gregory Andoll

(74) *Attorney, Agent, or Firm*—Edward A. Squillante, Jr.

(57) **CLAIM**

The ornamental design for an actuator, as shown and described.

DESCRIPTION

FIG. 1 is a perspective view of an actuator in accordance with our new design;

FIG. 2 is a top plan view thereof;

FIG. 3 is a right side elevational view thereof; the left side elevational view being a mirror image thereof;

FIG. 4 is a front elevational view thereof; and,

FIG. 5 is a rear elevational view thereof.

The broken lines in the Figures are for illustrative purposes only and form no part of the claimed design.

1 Claim, 3 Drawing Sheets

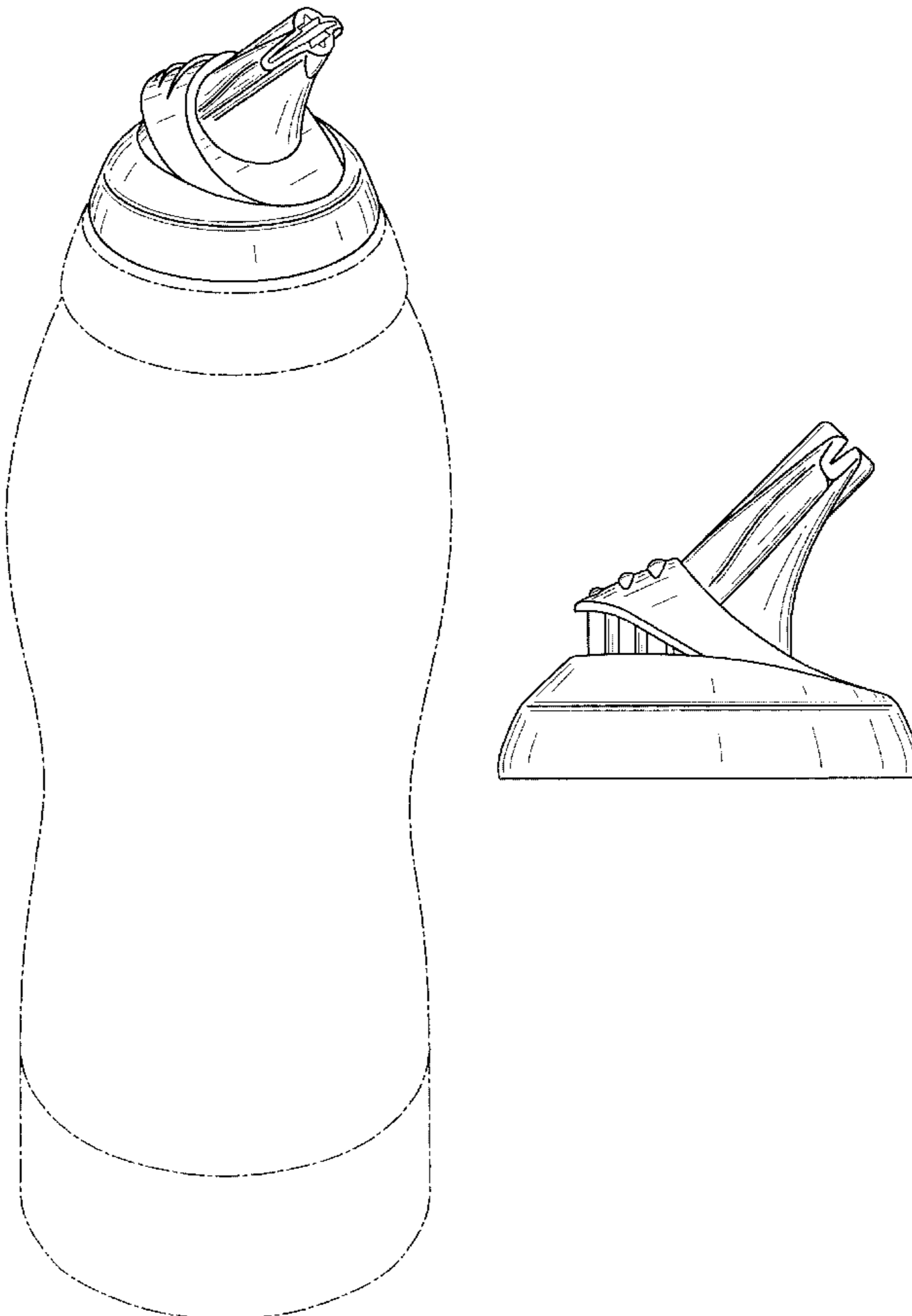


FIG. 1

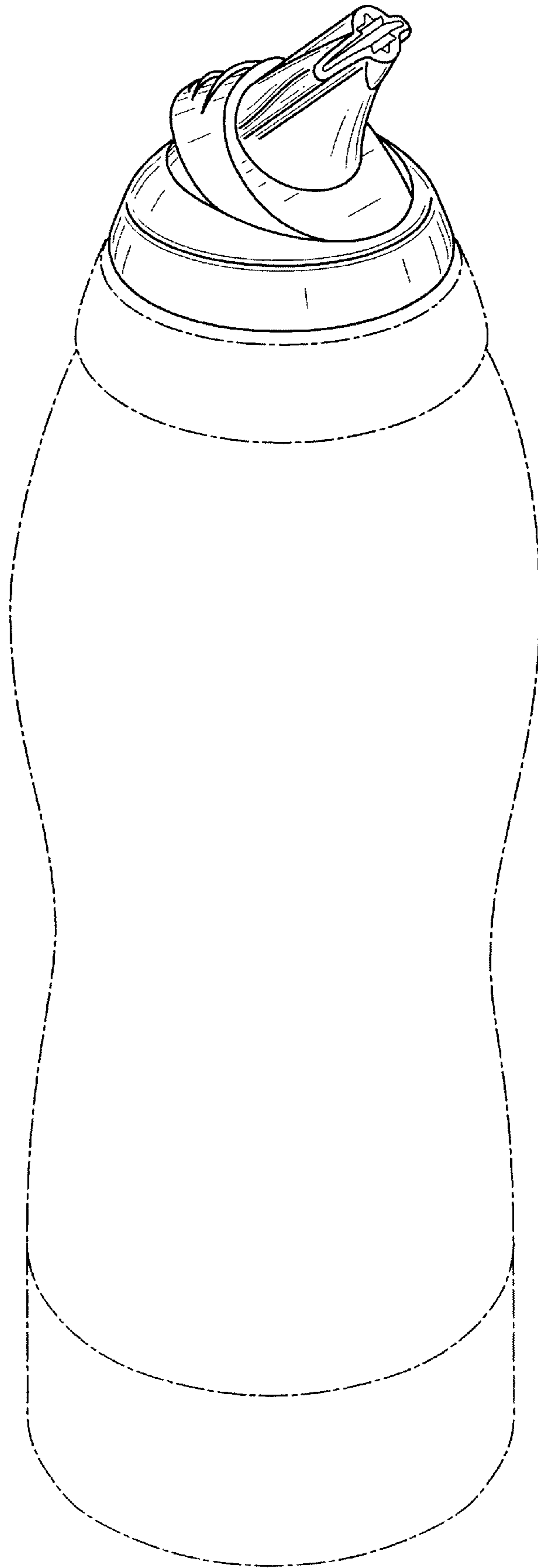


FIG. 2

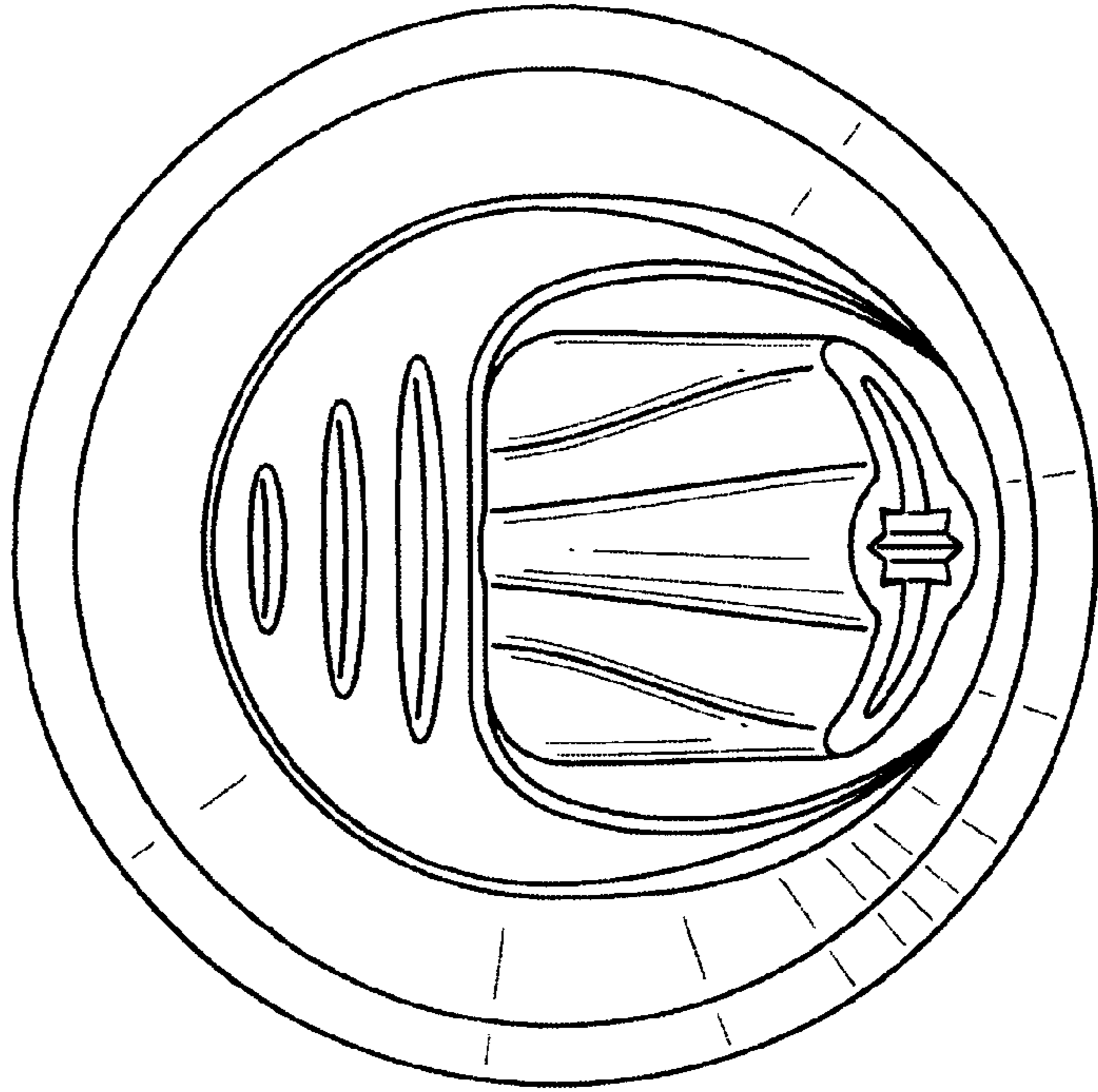


FIG. 3

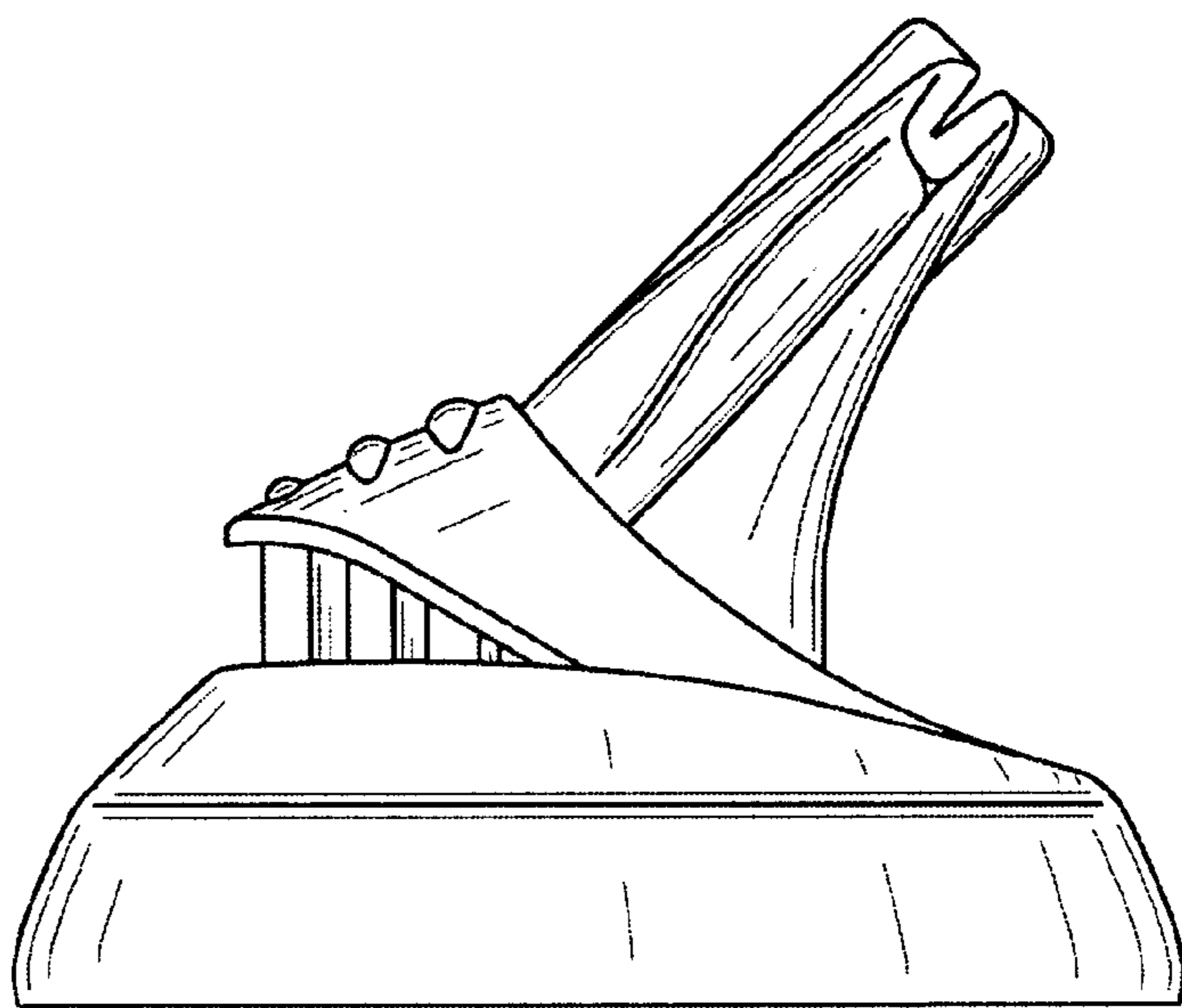


FIG. 4

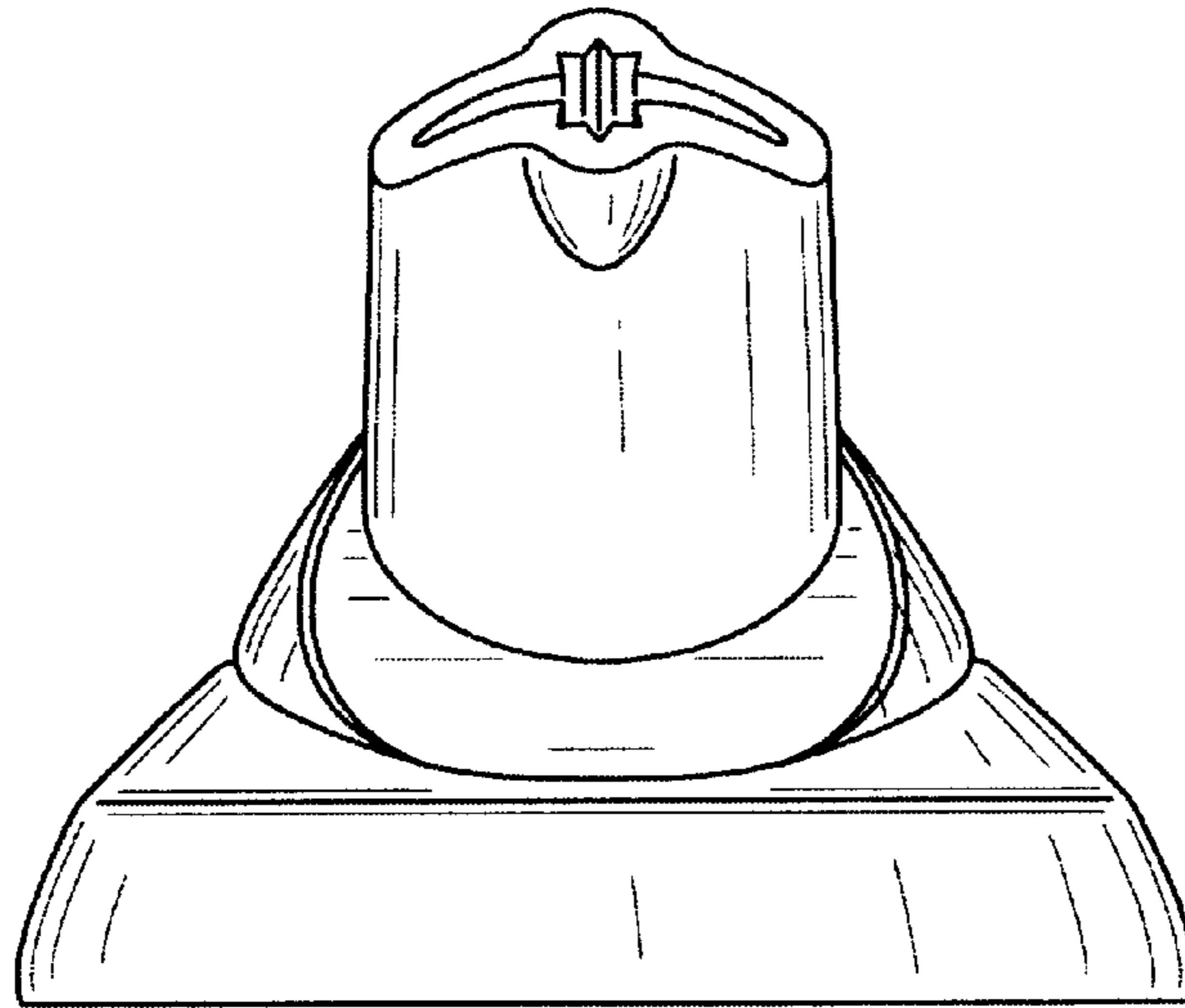


FIG. 5

