



US00D481629S

(12) **United States Design Patent**
Milan

(10) **Patent No.:** **US D481,629 S**

(45) **Date of Patent:** **** Nov. 4, 2003**

(54) **PACKAGE FOR COMPUTER CABLE**

6,163,465 A * 12/2000 Tanner et al. 206/702

(76) Inventor: **Henry Milan**, 1709 Apple Ridge Ct.,
Rochester Hills, MI (US) 48306

* cited by examiner

(**) Term: **14 Years**

Primary Examiner—Prabhakar Deshmukh
(74) *Attorney, Agent, or Firm*—MacMillan, Sobanski &
Todd; William J. Clemens

(21) Appl. No.: **29/164,008**

(57) **CLAIM**

(22) Filed: **Jul. 17, 2002**

The ornamental design for a package for computer cable, as shown and described.

Related U.S. Application Data

DESCRIPTION

(62) Division of application No. 29/154,362, filed on Nov. 13, 2001, now Pat. No. Des. 462,612.

FIG. 1 is a perspective view showing my new package design.

(51) **LOC (7) Cl.** **09-03**

FIG. 2 is a top plan view thereof.

(52) **U.S. Cl.** **D9/415**

FIG. 3 is a left side elevational view thereof.

(58) **Field of Search** D9/415, 418, 414,
D9/457; 206/461-471, 806, 495, 701, 702,
710, 711

FIG. 4 is a right side elevational view thereof.

FIG. 5 is a front elevational view thereof.

FIG. 6 is a rear elevational view thereof.

(56) **References Cited**

FIG. 7 is a sectional view taken in the direction of the arrows along the section line 7-7 of FIG. 2.

U.S. PATENT DOCUMENTS

FIG. 8 is a sectional view taken in the direction of the arrows along the section line 8-8 of FIG. 2.

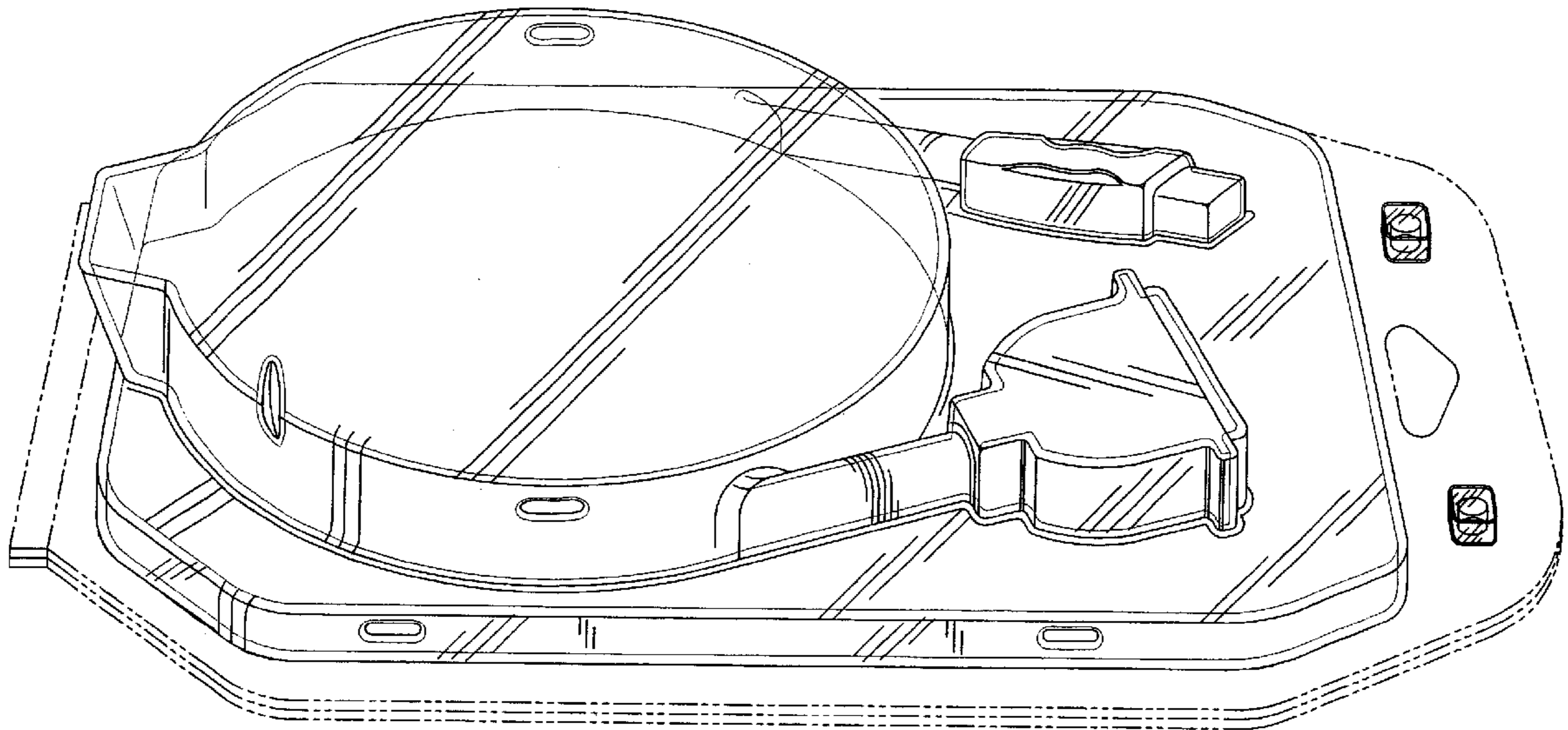
3,434,591 A *	3/1969	Hanscom	242/160.4
4,285,157 A *	8/1981	Lambert	206/579
4,613,038 A *	9/1986	Kirk	206/461
4,637,516 A *	1/1987	De Roure	206/461
D306,561 S *	3/1990	Lee	D9/415
D370,626 S *	6/1996	Pass et al.	D9/415
5,738,209 A *	4/1998	Burr et al.	206/702
D408,280 S *	4/1999	Manley et al.	D9/415
6,026,961 A *	2/2000	McCarthy et al.	206/702

FIG. 9 is a sectional view taken in the direction of the arrows along the section line 9-9 of FIG. 2; and,

FIG. 10 is a sectional view taken in the direction of the arrows along the section line 10-10 of FIG. 2.

The broken lines are for illustration purposes only, and form no part of the claimed design.

1 Claim, 4 Drawing Sheets



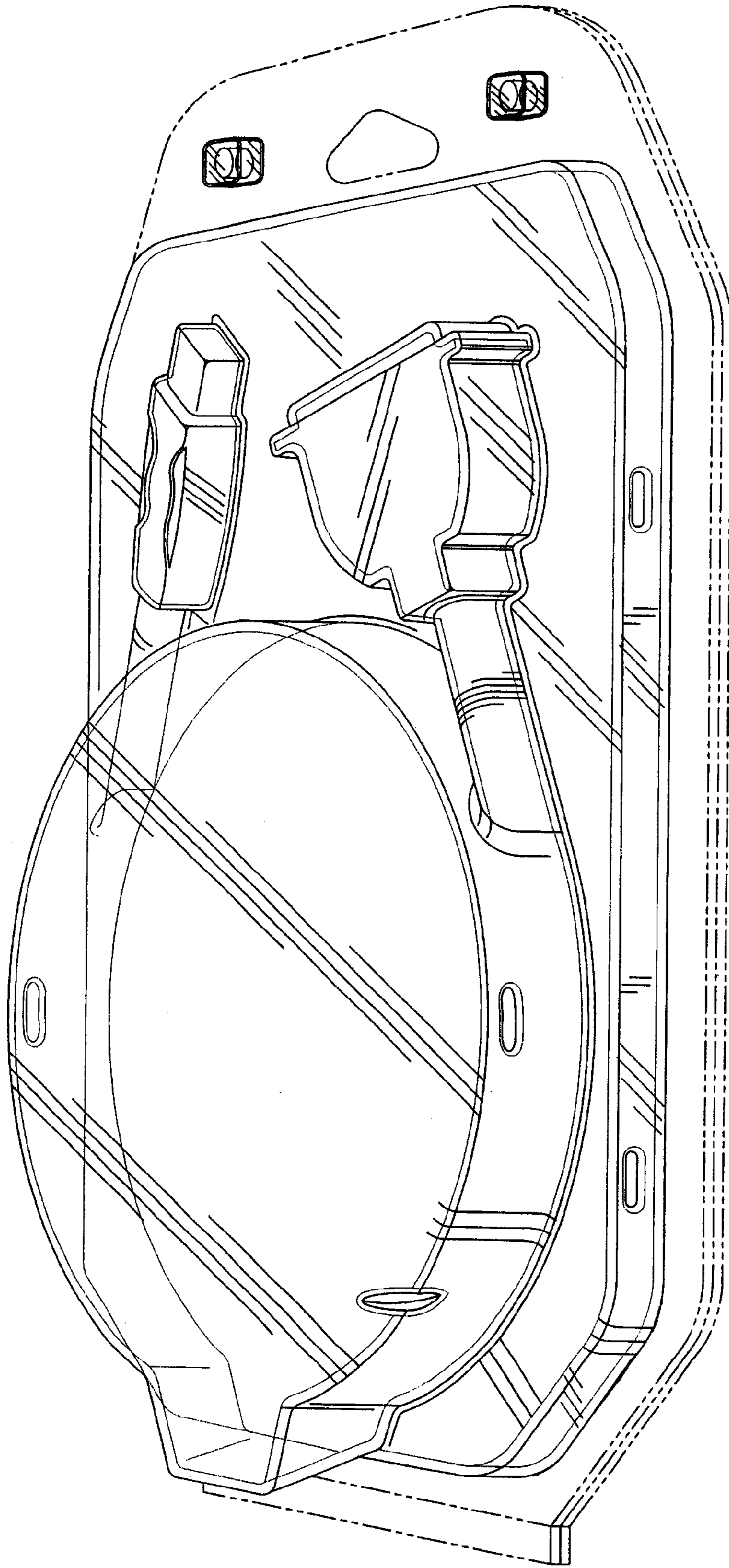


Fig-1

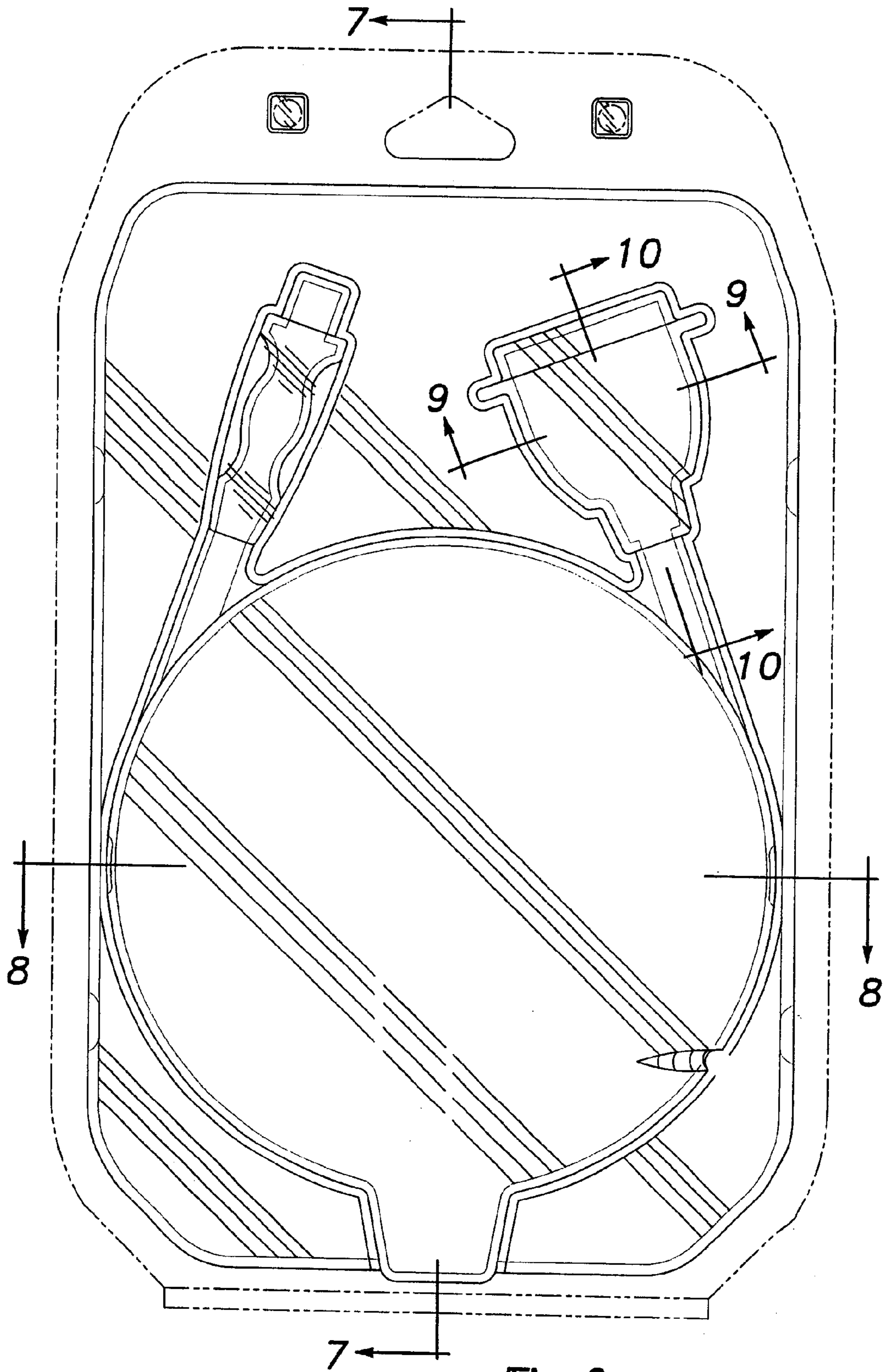


Fig-2

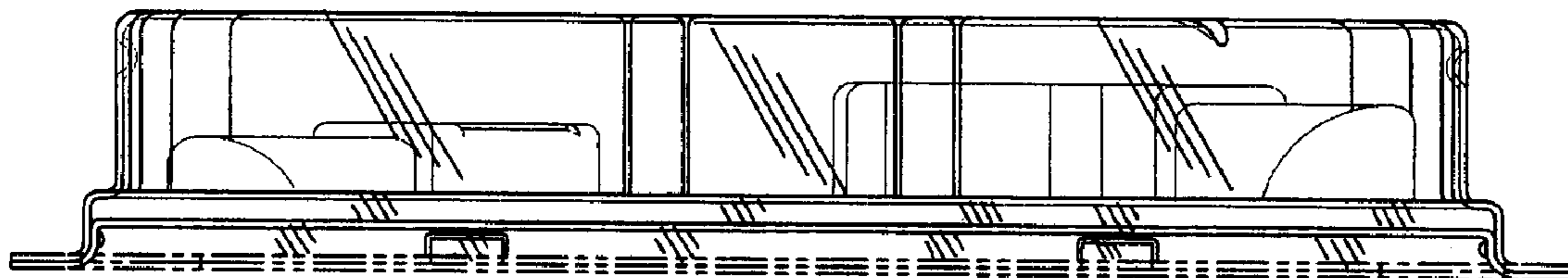


Fig-3

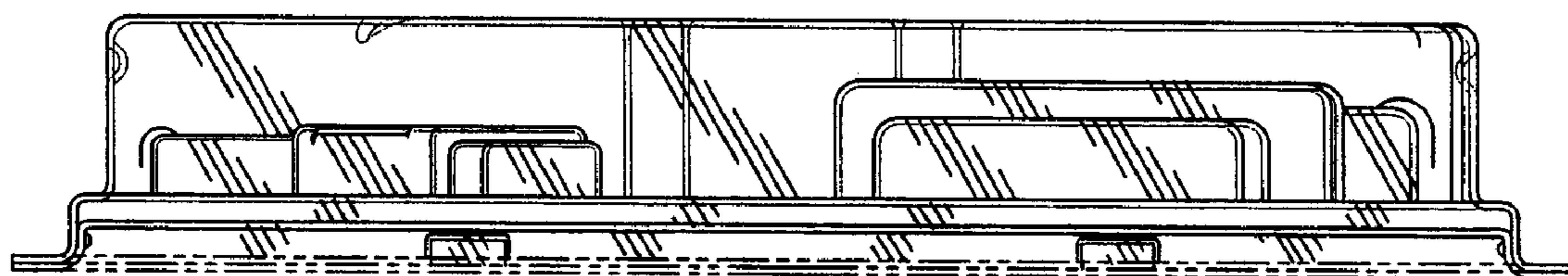


Fig-4

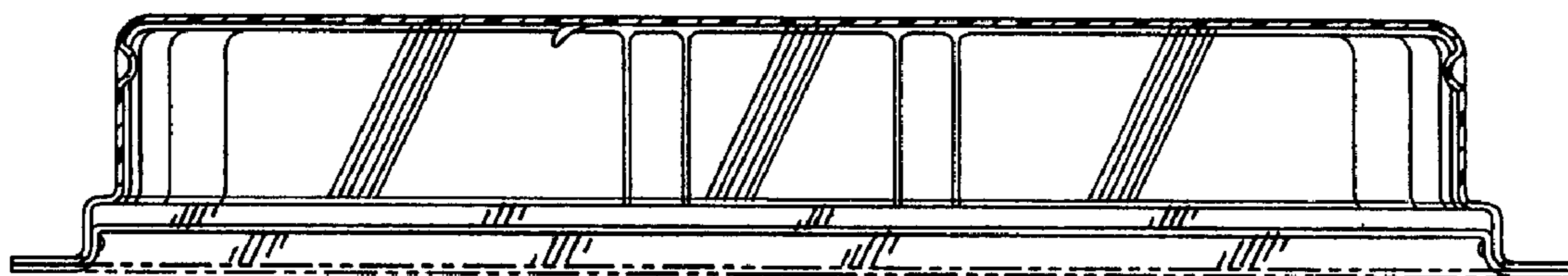


Fig-8



Fig-9



Fig-10

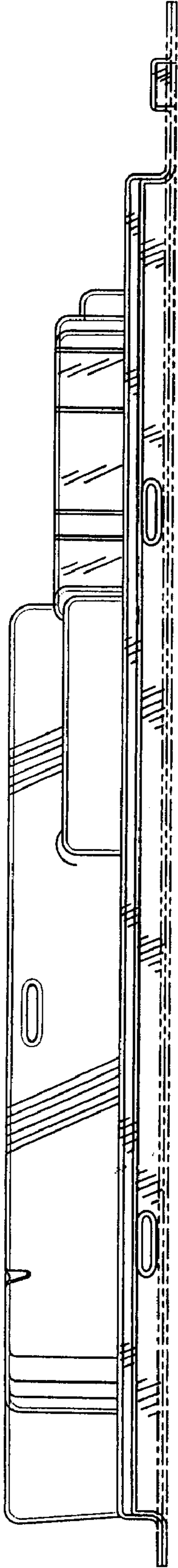


Fig-5

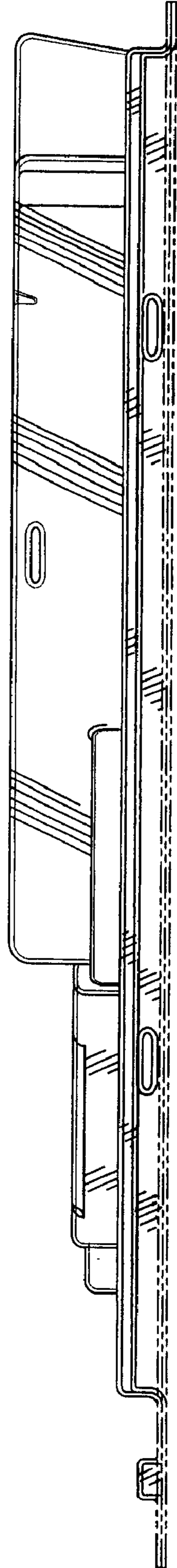


Fig-6

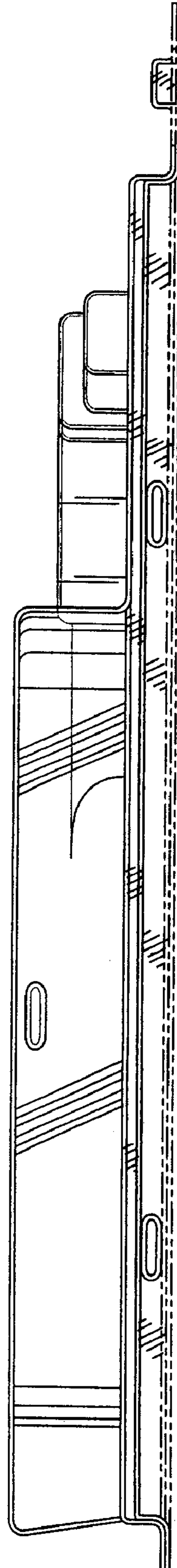


Fig-7