



US00D481623S

(12) **United States Design Patent**  
**Chen**

(10) **Patent No.:** **US D481,623 S**

(45) **Date of Patent:** **\*\* Nov. 4, 2003**

(54) **HOSE CLAMP**

(76) Inventor: **Chi-Liang Chen**, 58, Ma Yuan West St., Taichung (TW)

(\*\*) Term: **14 Years**

(21) Appl. No.: **29/176,246**

(22) Filed: **Feb. 13, 2003**

(51) **LOC (7) Cl.** ..... **08-08**

(52) **U.S. Cl.** ..... **D8/394; D8/58; D8/72**

(58) **Field of Search** ..... **D8/71, 72, 58, D8/394-396; 269/90, 95, 96, 203, 257; 81/333**

(56) **References Cited**

**U.S. PATENT DOCUMENTS**

D400,414 S \* 11/1998 Wilson et al. .... D8/58

\* cited by examiner

*Primary Examiner*—Louis S. Zarfaz  
*Assistant Examiner*—Gregory Andoll

(57) **CLAIM**

The ornamental design for a hose clamp, as shown and described.

**DESCRIPTION**

FIG. 1 is a perspective view of a hose clamp showing my design;

FIG. 2 is a front elevational view thereof;

FIG. 3 is a rear elevational view thereof;

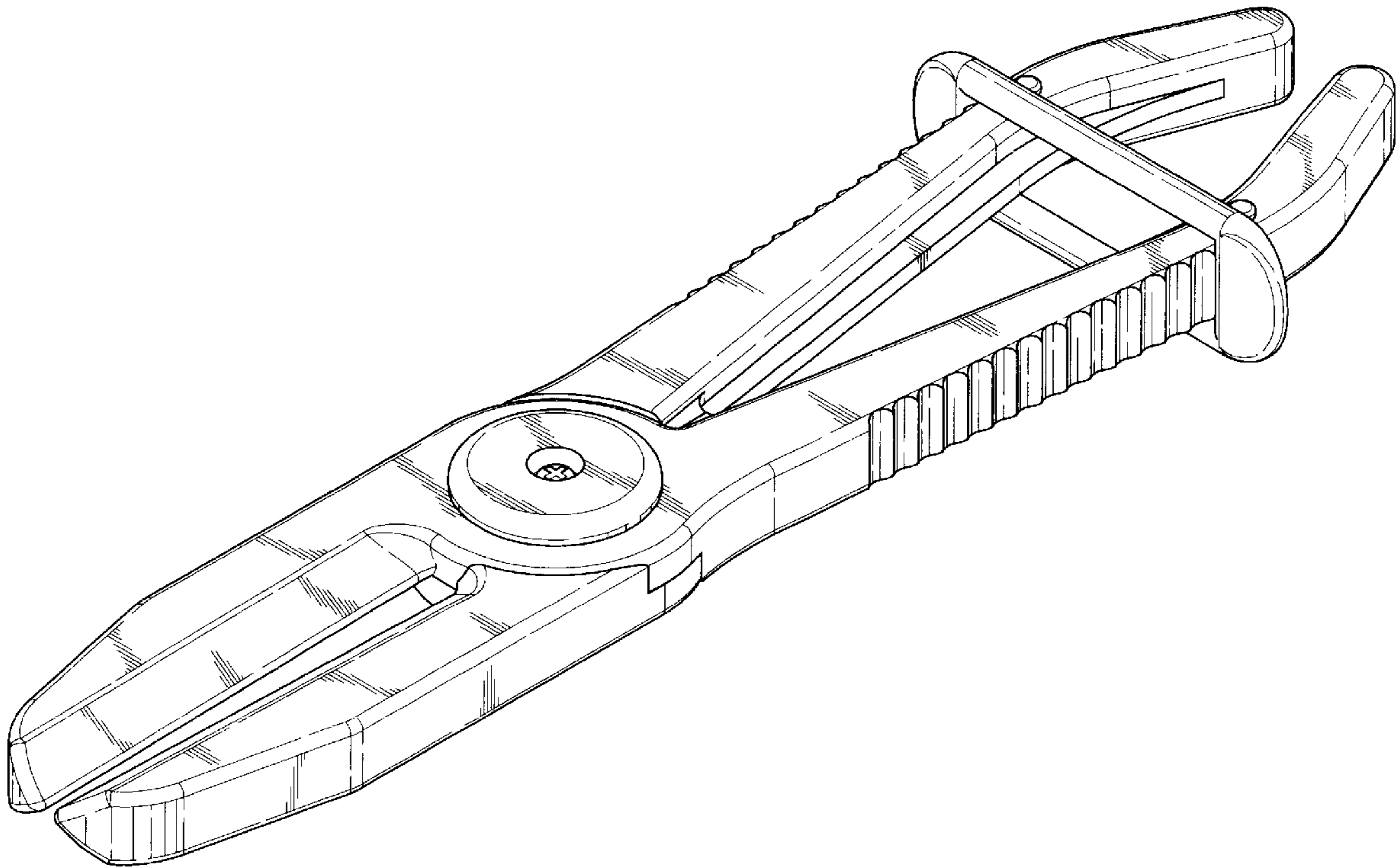
FIG. 4 is a left side elevational view thereof;

FIG. 5 is a right side elevational view thereof;

FIG. 6 is a top plan view thereof; and,

FIG. 7 is a bottom plan view thereof.

**1 Claim, 5 Drawing Sheets**



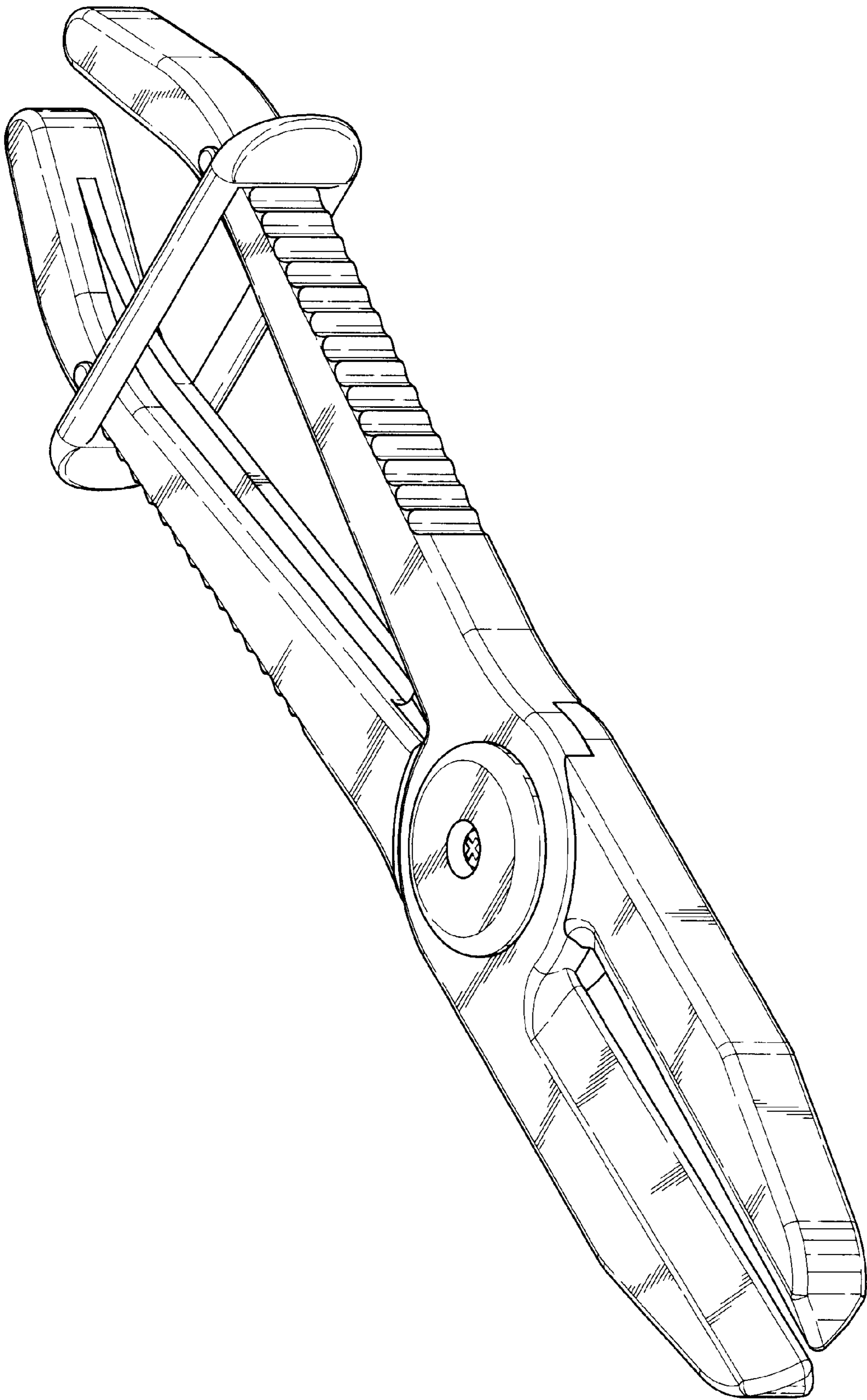


FIG. 1

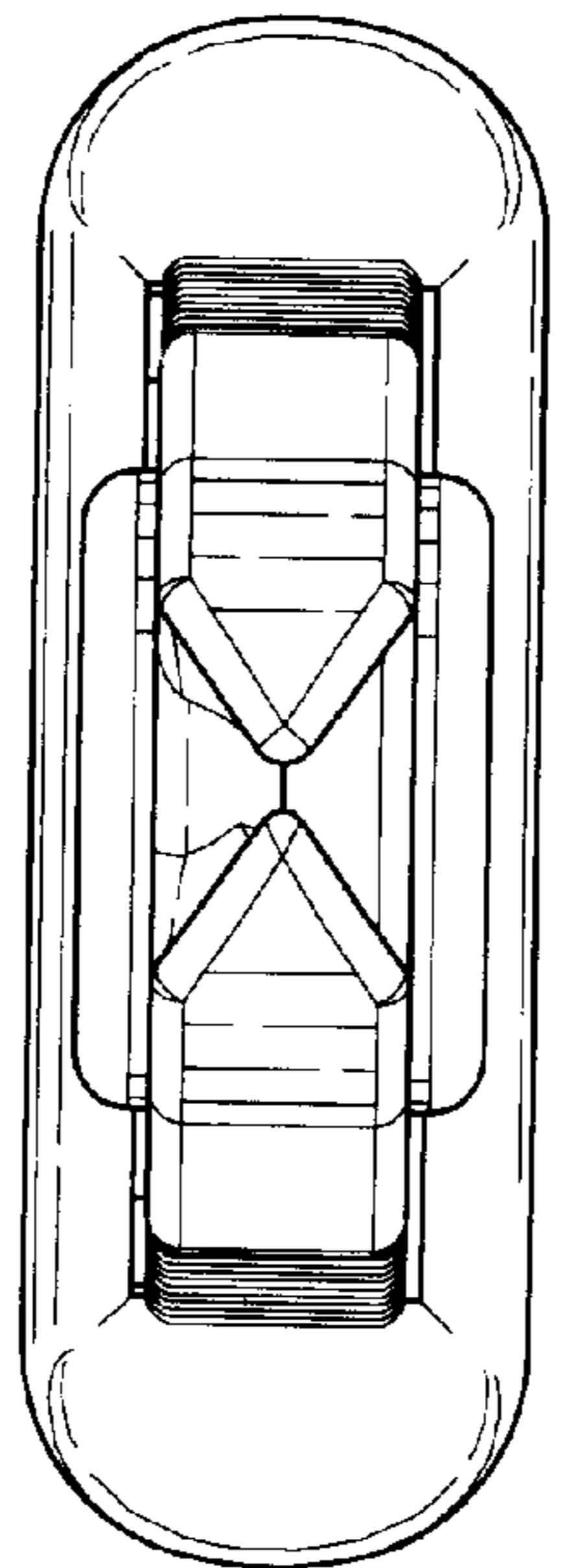


FIG. 2

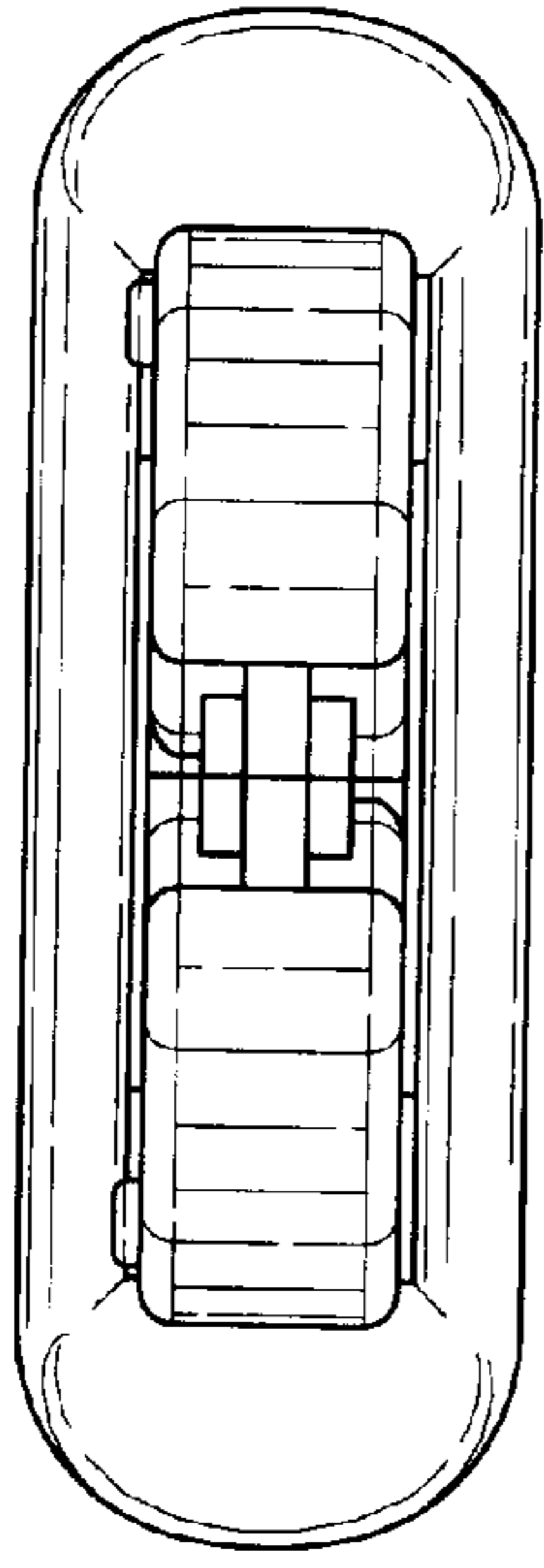


FIG. 3

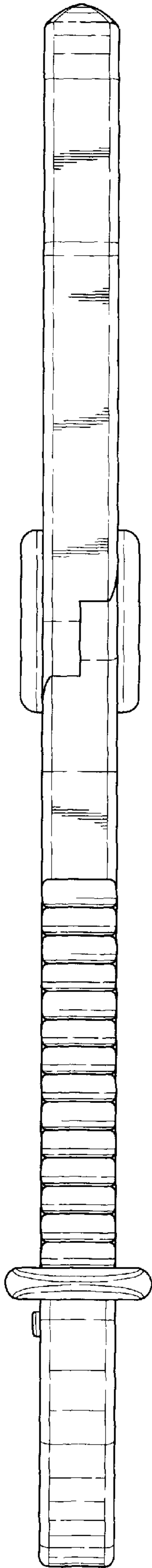


FIG. 4

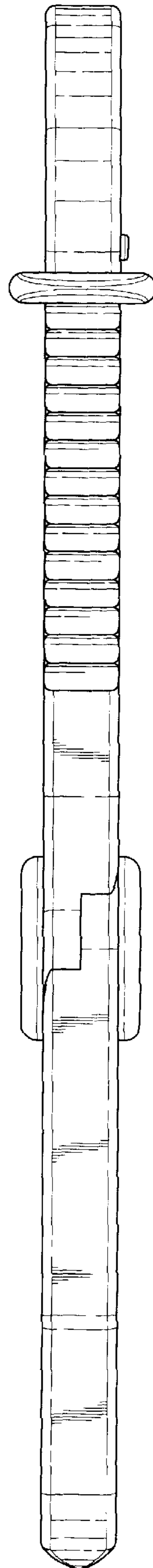


FIG. 5

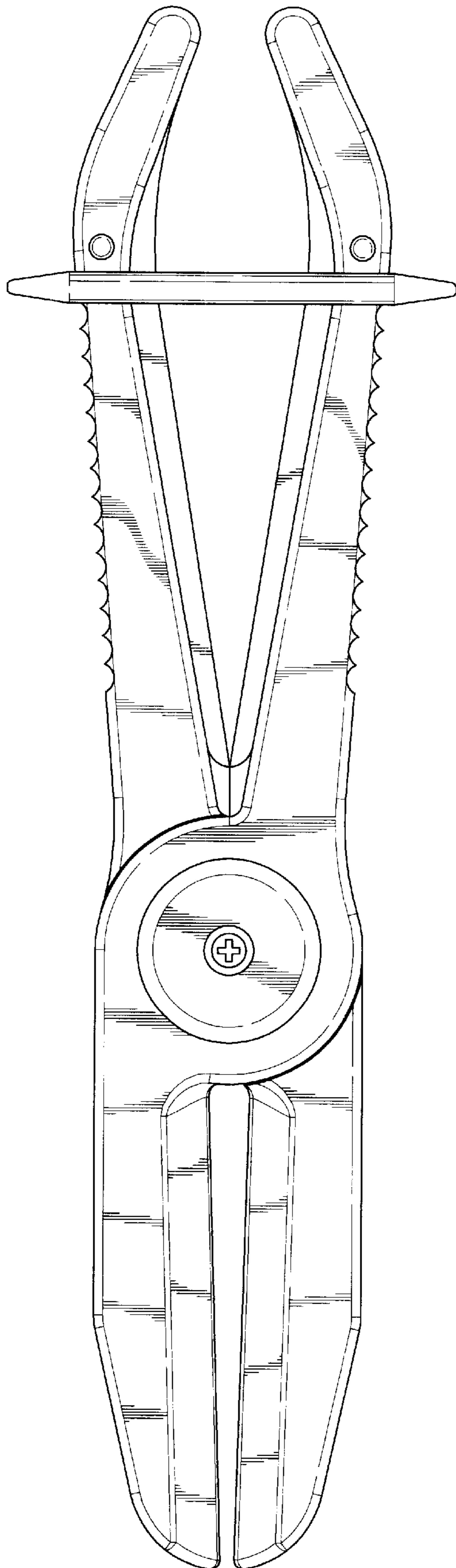


FIG.6

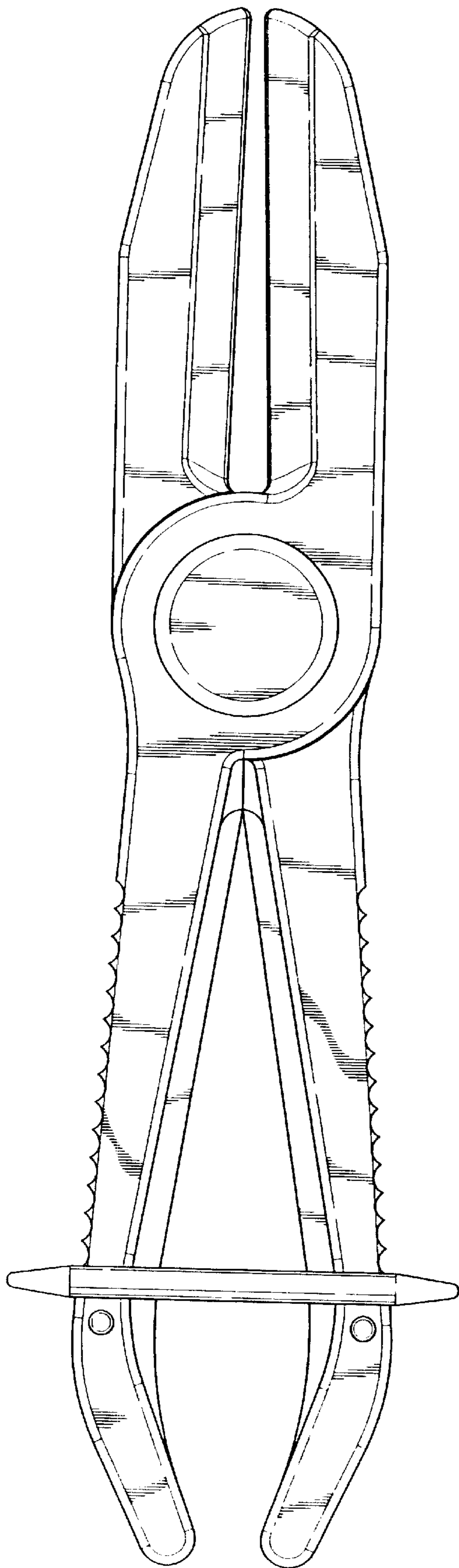


FIG. 7