



US00D481619S

(12) **United States Design Patent**
Hightower

(10) **Patent No.:** **US D481,619 S**

(45) **Date of Patent:** **** Nov. 4, 2003**

(54) **TOE KICK PLATE CONNECTOR**

(75) Inventor: **Robert C. Hightower**, High Point, NC
(US)

(73) Assignee: **Tenn-Tex Plastics, Inc.**, Colfax, NC
(US)

(**) Term: **14 Years**

(21) Appl. No.: **29/163,883**

(22) Filed: **Jul. 11, 2002**

(51) **LOC (7) Cl.** **08-08**

(52) **U.S. Cl.** **D8/382**

(58) **Field of Search** D8/382; D25/119-125;
403/403

(56) **References Cited**

U.S. PATENT DOCUMENTS

D33,140 S	*	8/1900	Morss	D25/119
D162,842 S	*	4/1951	Klein	D25/119
D228,453 S	*	9/1973	Greer	D25/119
D283,550 S	*	4/1986	Greco	D25/119
D286,196 S	*	10/1986	Bancroft	D25/119
5,647,687 A	*	7/1997	Robinson et al.	403/403

* cited by examiner

Primary Examiner—Holly Baynham

(74) *Attorney, Agent, or Firm*—Myers Bigel Sibley & Sajovec

(57) **CLAIM**

The ornamental design for a toe kick plate connector, as shown and described.

DESCRIPTION

FIG. 1 is a front perspective view of the toe kick plate connector showing the design;

FIG. 2 is a top view thereof;

FIG. 3 is a bottom view thereof;

FIG. 4 is a side view thereof;

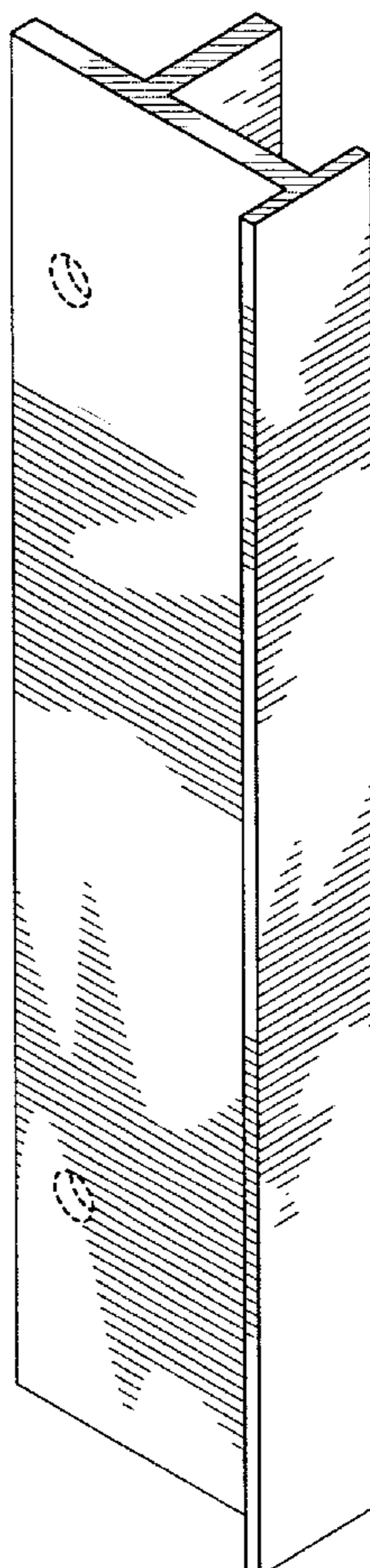
FIG. 5 is an opposite side view thereof;

FIG. 6 is a rear view thereof;

FIG. 7 is a front view thereof; and,

FIG. 8 is a reduced scale front perspective view of a toe kick plate connector showing the design in an intended environment of use. The broken lines shown herein are for illustrative purposes only and form no part of the claimed design.

1 Claim, 4 Drawing Sheets



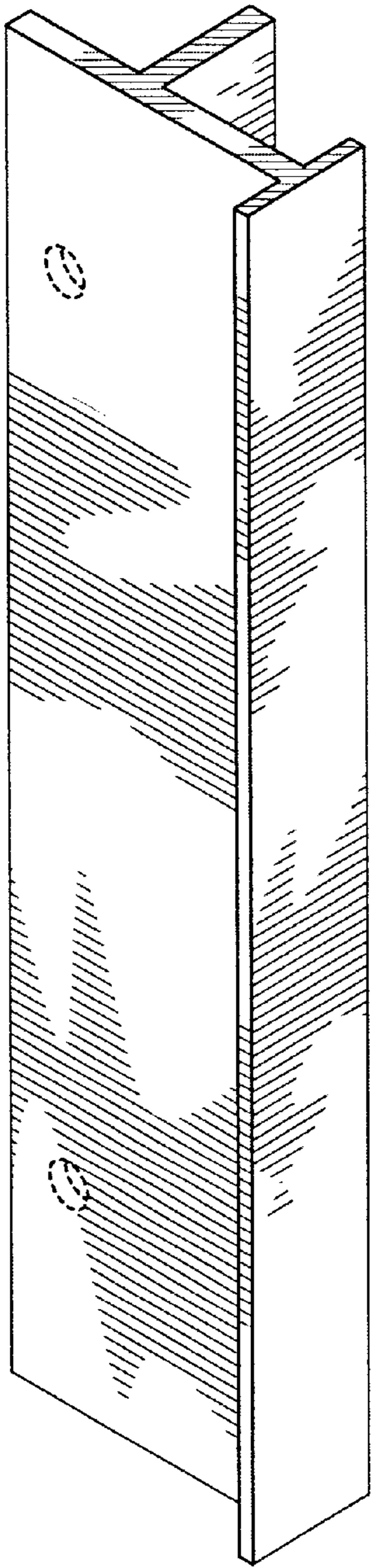


FIG. 1.

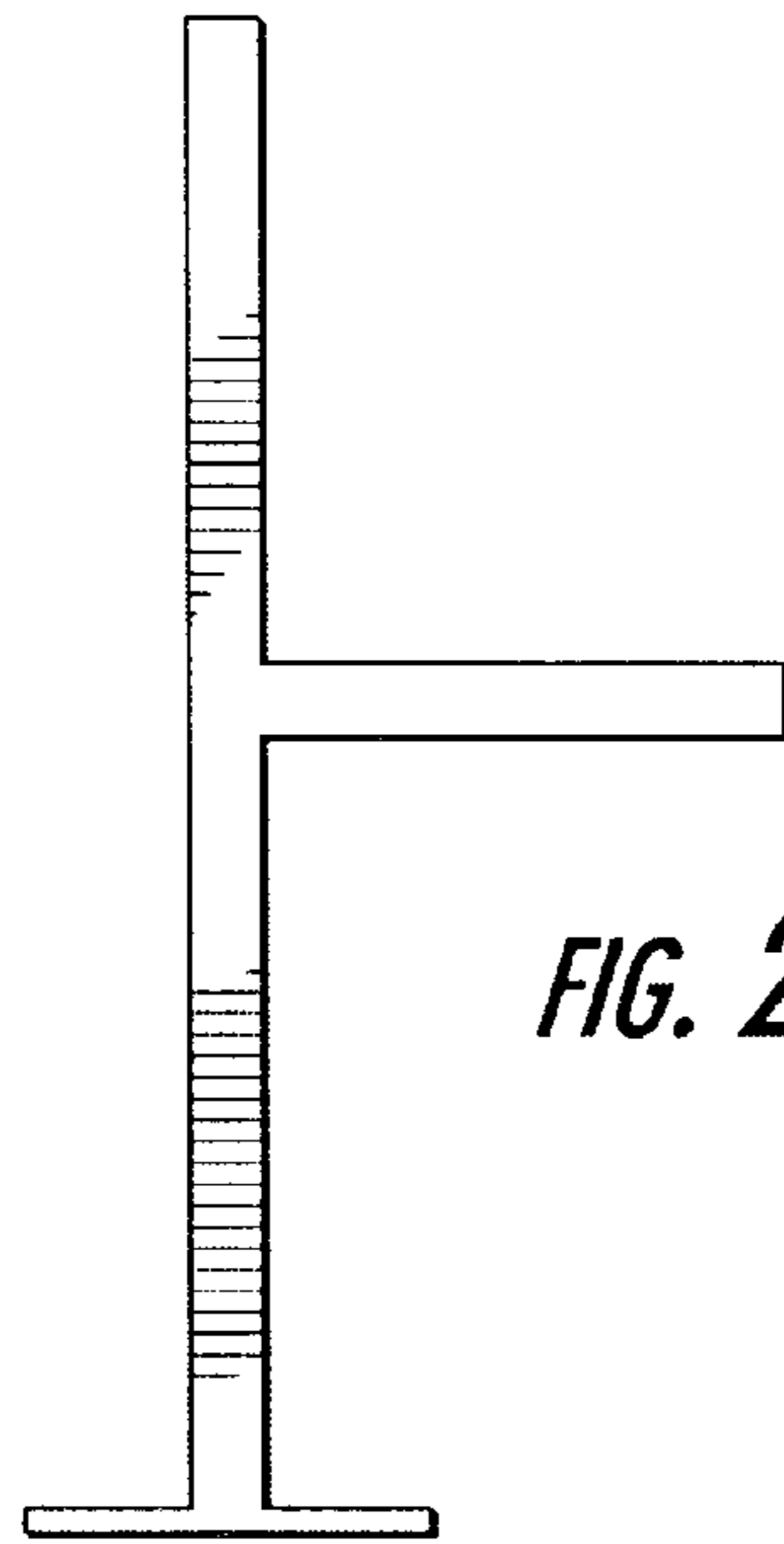


FIG. 2.

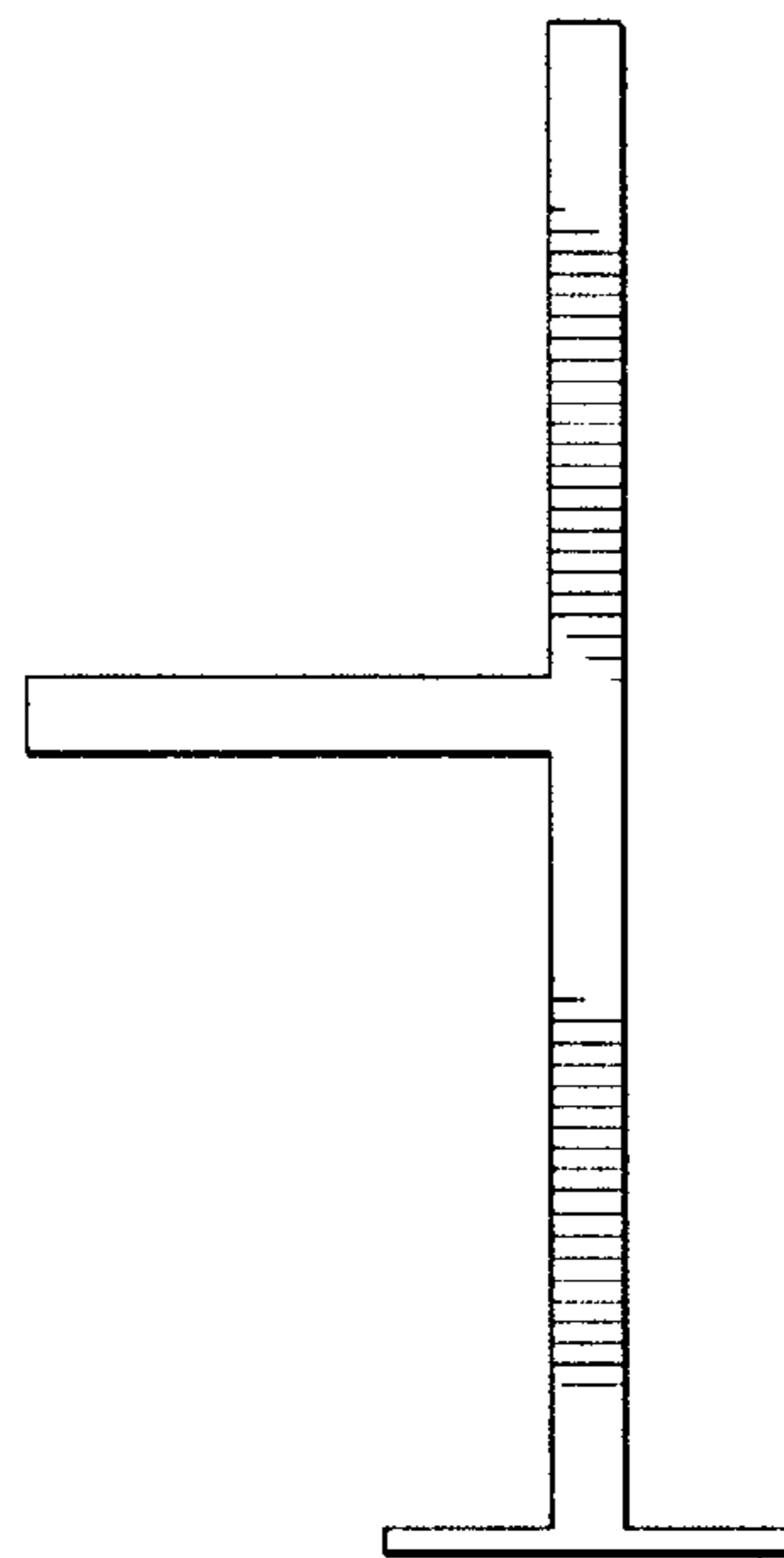


FIG. 3.

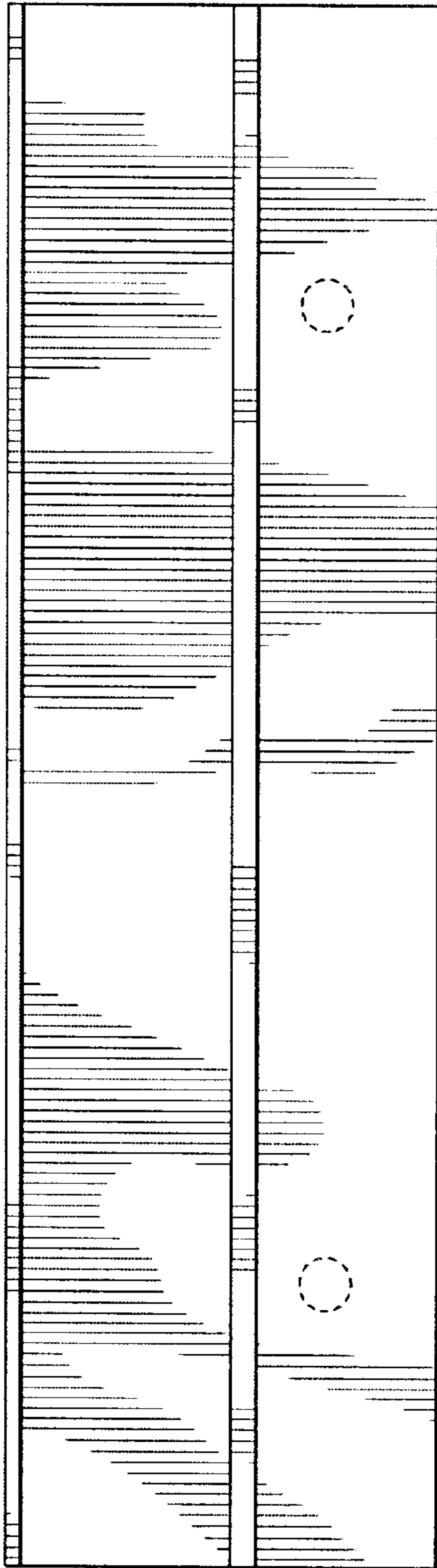


FIG. 4.

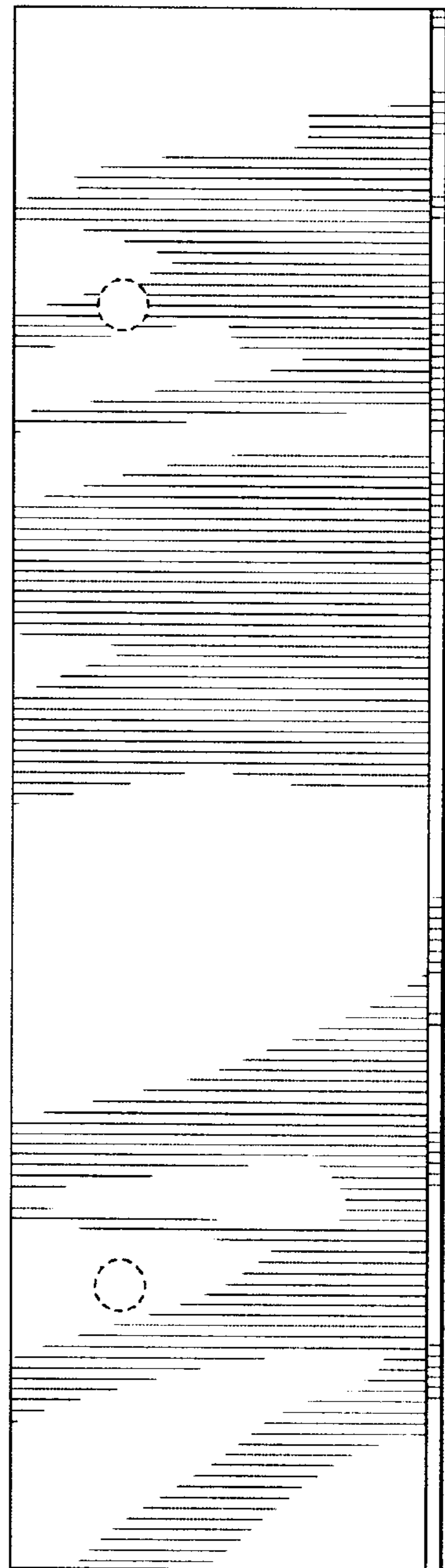


FIG. 5.

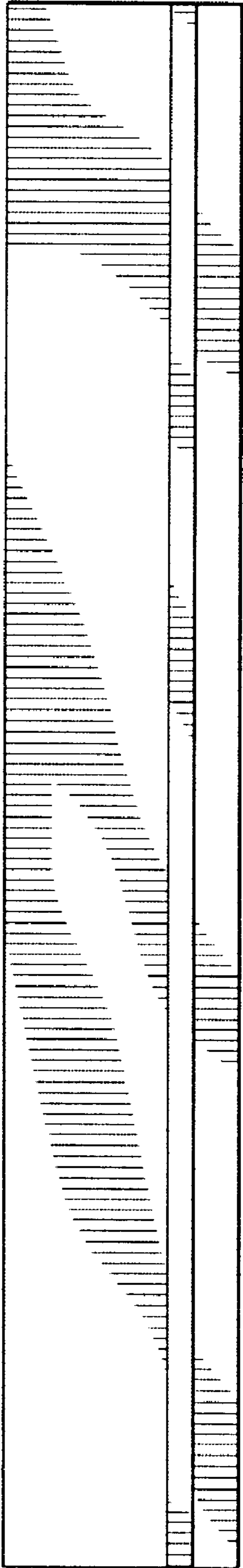


FIG. 6.

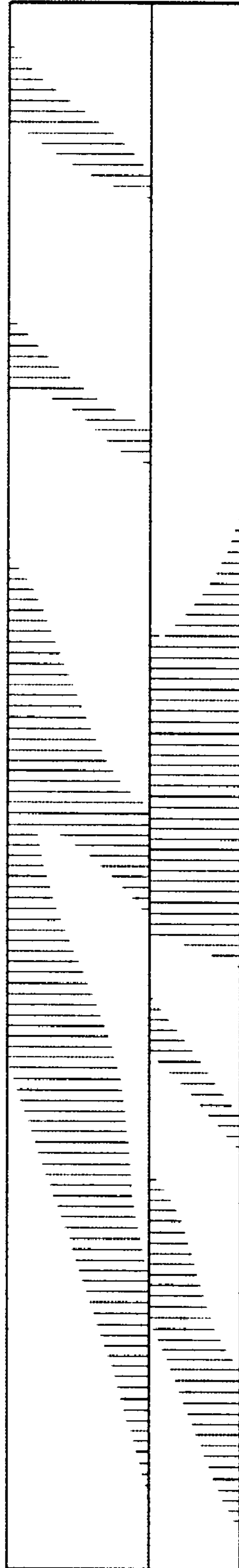


FIG. 7.

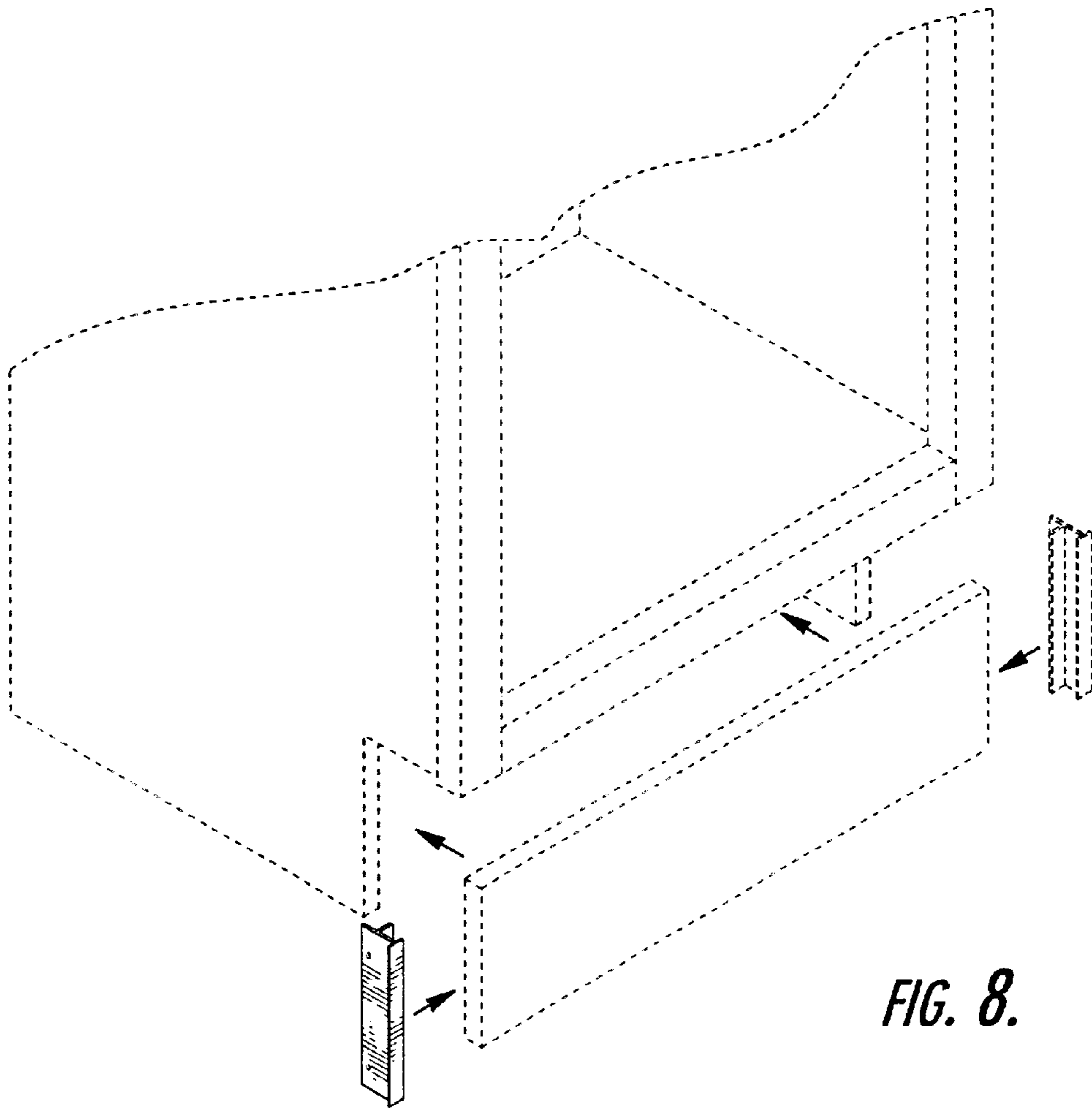


FIG. 8.