



US00D481618S

(12) **United States Design Patent**  
**Felsenthal**

(10) **Patent No.:** **US D481,618 S**

(45) **Date of Patent:** **\*\* Nov. 4, 2003**

(54) **CLIP WITH HANGER**

D307,833 S \* 5/1990 Maki ..... D6/326

(76) Inventor: **Sandy A. Felsenthal**, 5428  
Collingwood Cove, Memphis, TN (US)  
38117

\* cited by examiner

(\*\*) Term: **14 Years**

*Primary Examiner*—Holly Bayntham  
(74) *Attorney, Agent, or Firm*—William D. Breneman;  
Peter J. Georges; Todd A. Vaughn

(21) Appl. No.: **29/172,449**

(57) **CLAIM**

(22) Filed: **Dec. 12, 2002**

The ornamental design for the clip with hanger, as shown.

(51) **LOC (7) Cl.** ..... **08-05**

**DESCRIPTION**

(52) **U.S. Cl.** ..... **D8/373**

(58) **Field of Search** ..... D8/367, 373; D6/326;  
24/501, 507–511

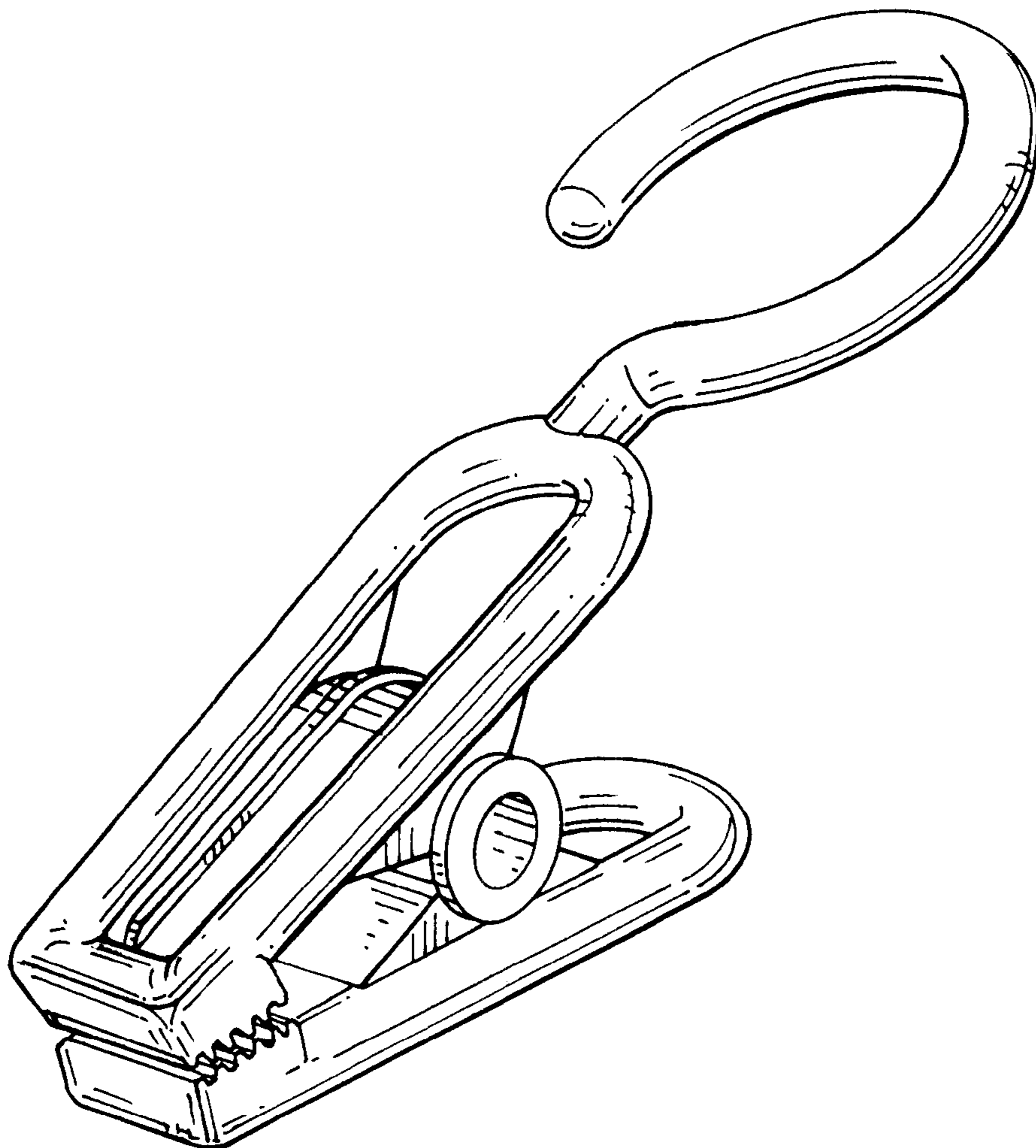
FIG. 1 is a front perspective of the present invention;  
FIG. 2 is a front elevation view of the invention;  
FIG. 3 is a rear elevation view of the invention;  
FIG. 4 is a left side elevation view of the present invention;  
FIG. 5 is a right side elevation view of the invention;  
FIG. 6 is a top plan view of the present invention; and,  
FIG. 7 is a bottom plan view of the invention.

(56) **References Cited**

**U.S. PATENT DOCUMENTS**

1,640,497 A \* 8/1927 Halket et al. .... 211/113  
4,382,531 A \* 5/1983 Bisk et al. .... 223/91  
D295,811 S \* 5/1988 Larsson ..... D6/326

**1 Claim, 7 Drawing Sheets**



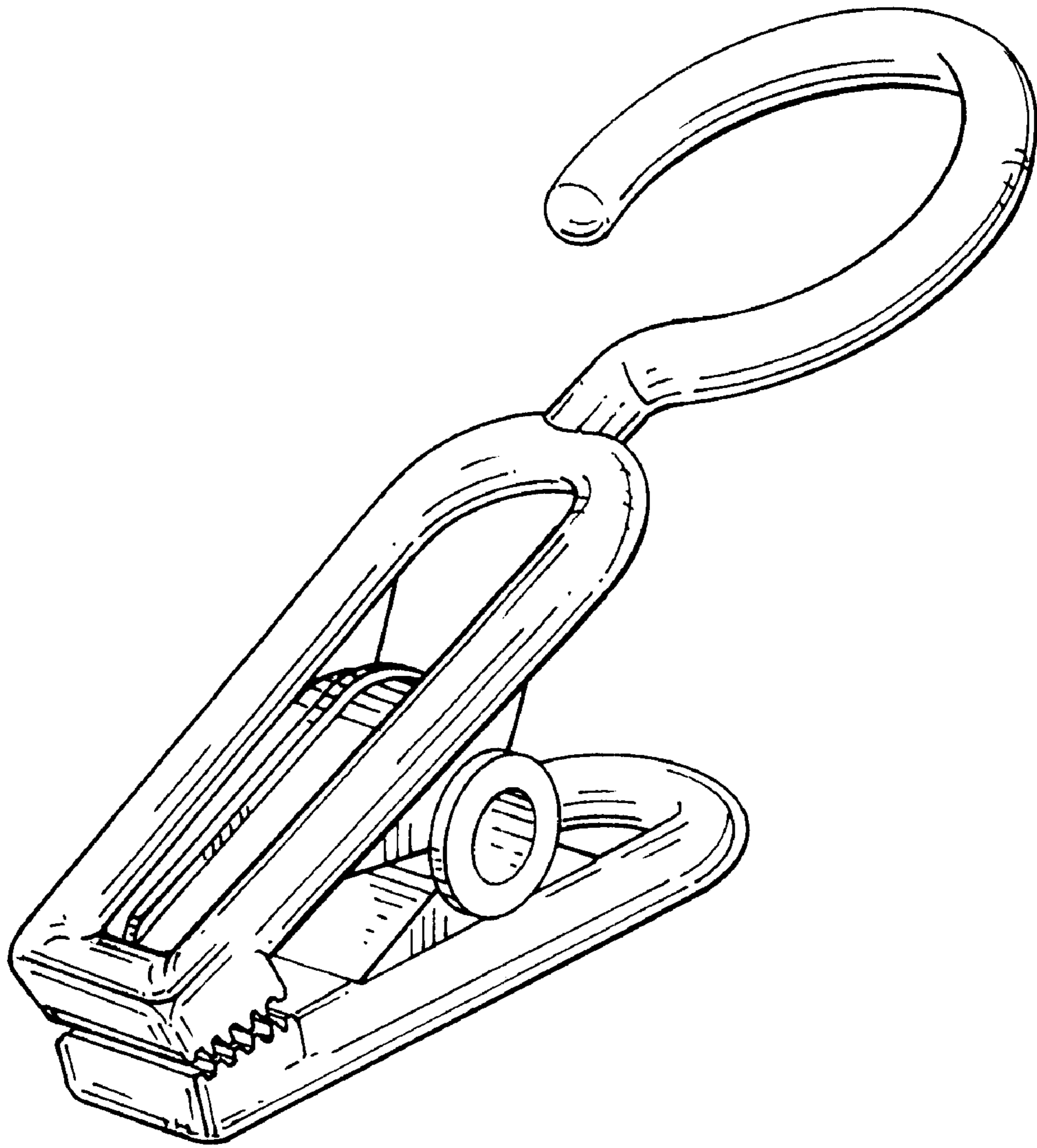


FIG. 1

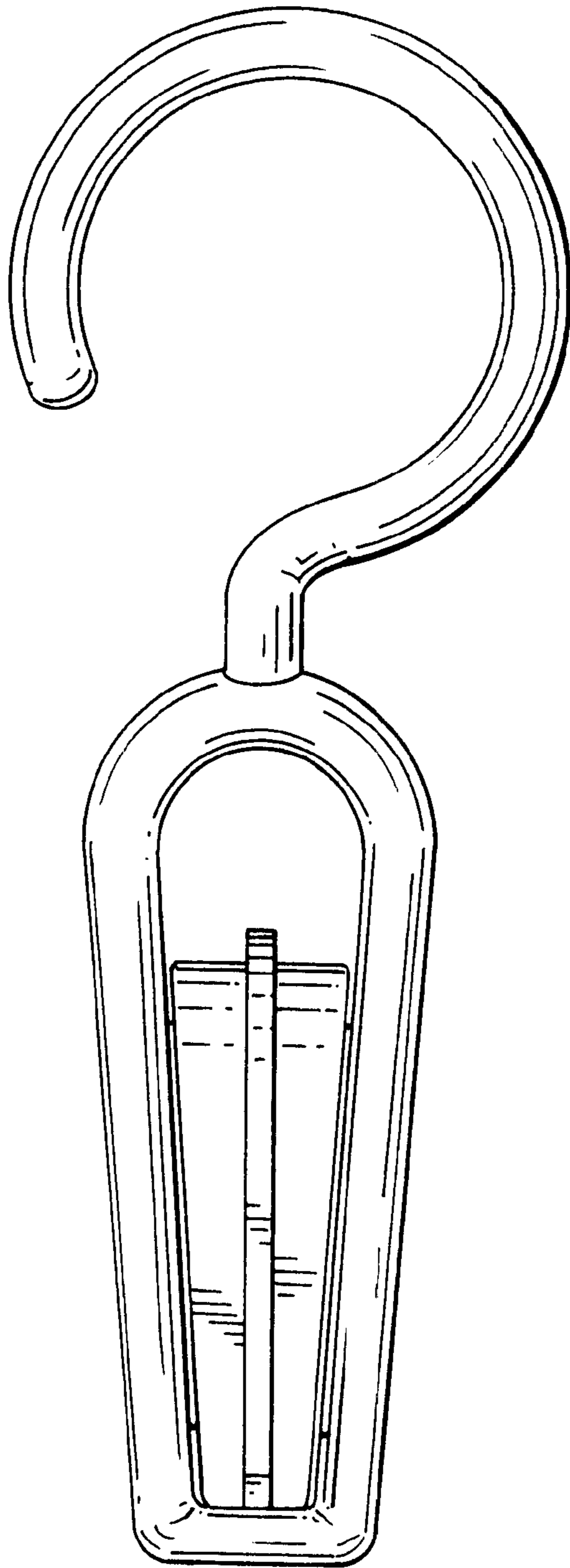


FIG. 2

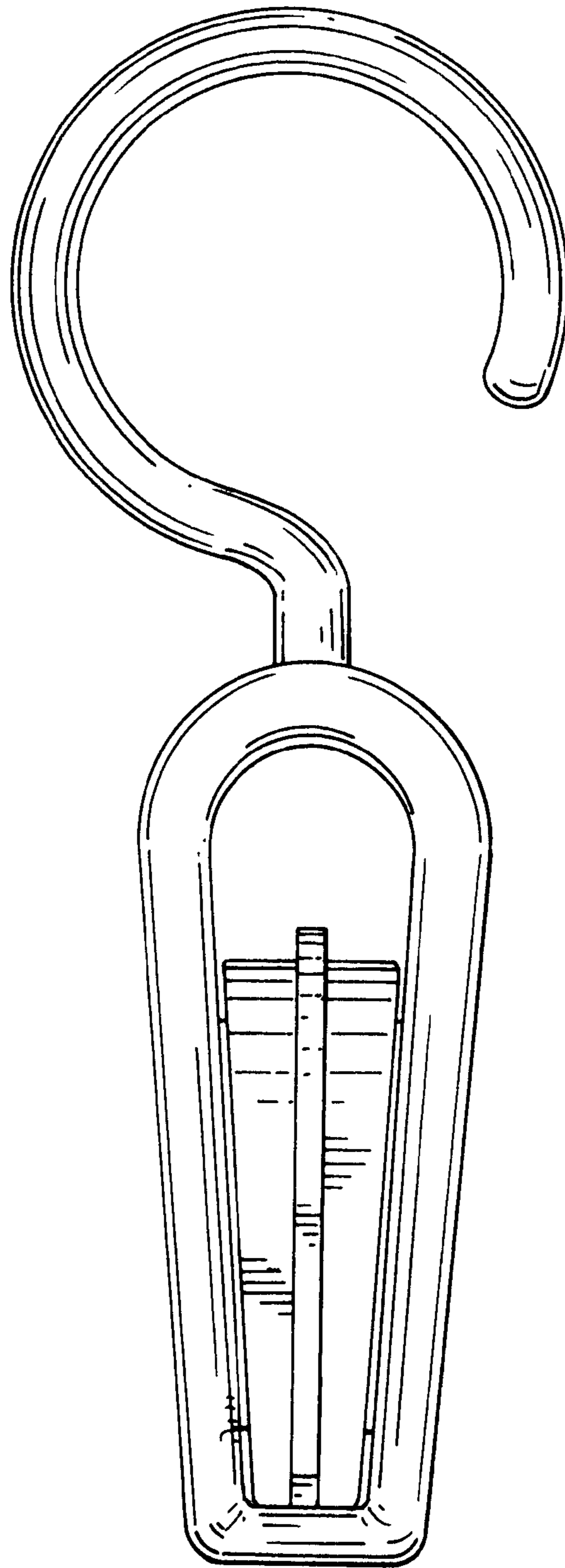


FIG. 3

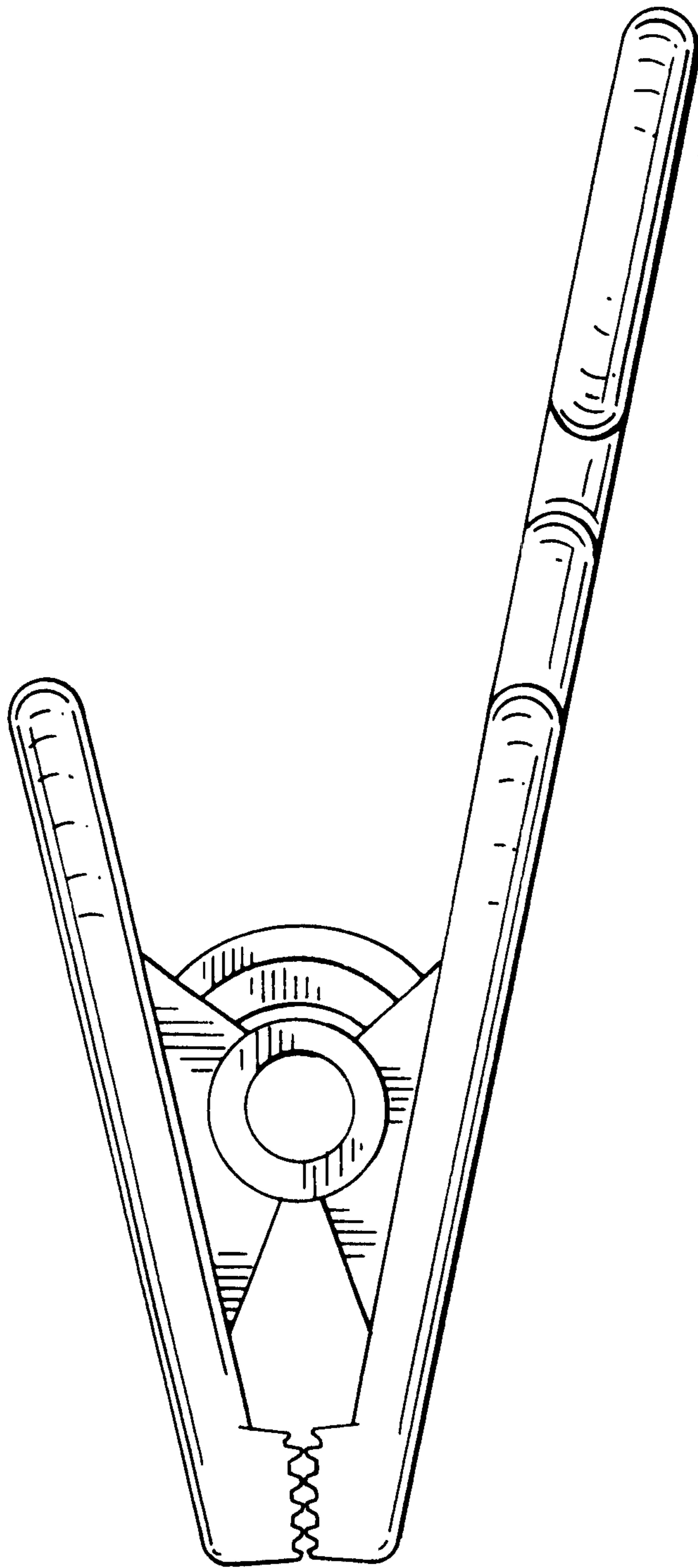


FIG. 4

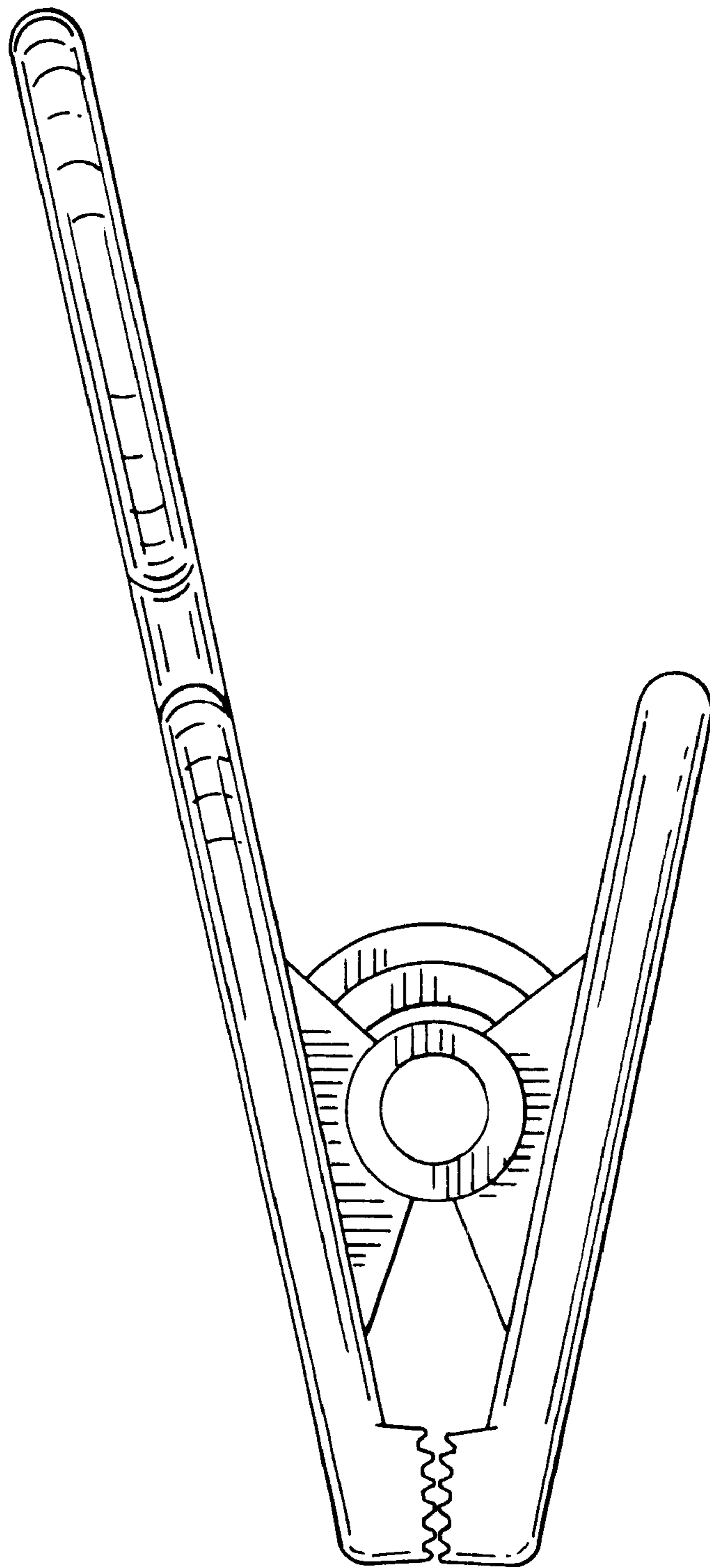


FIG. 5

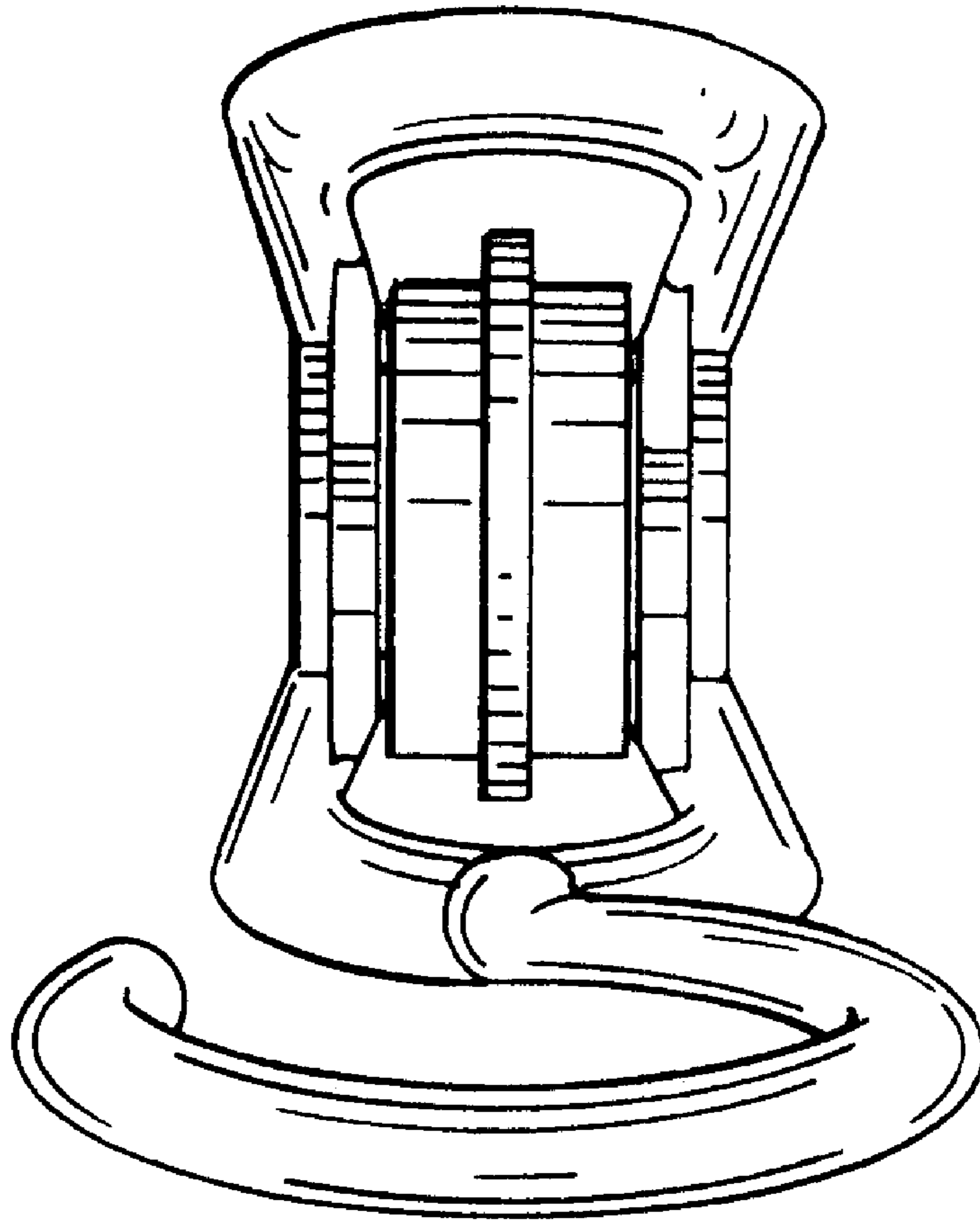


FIG. 6

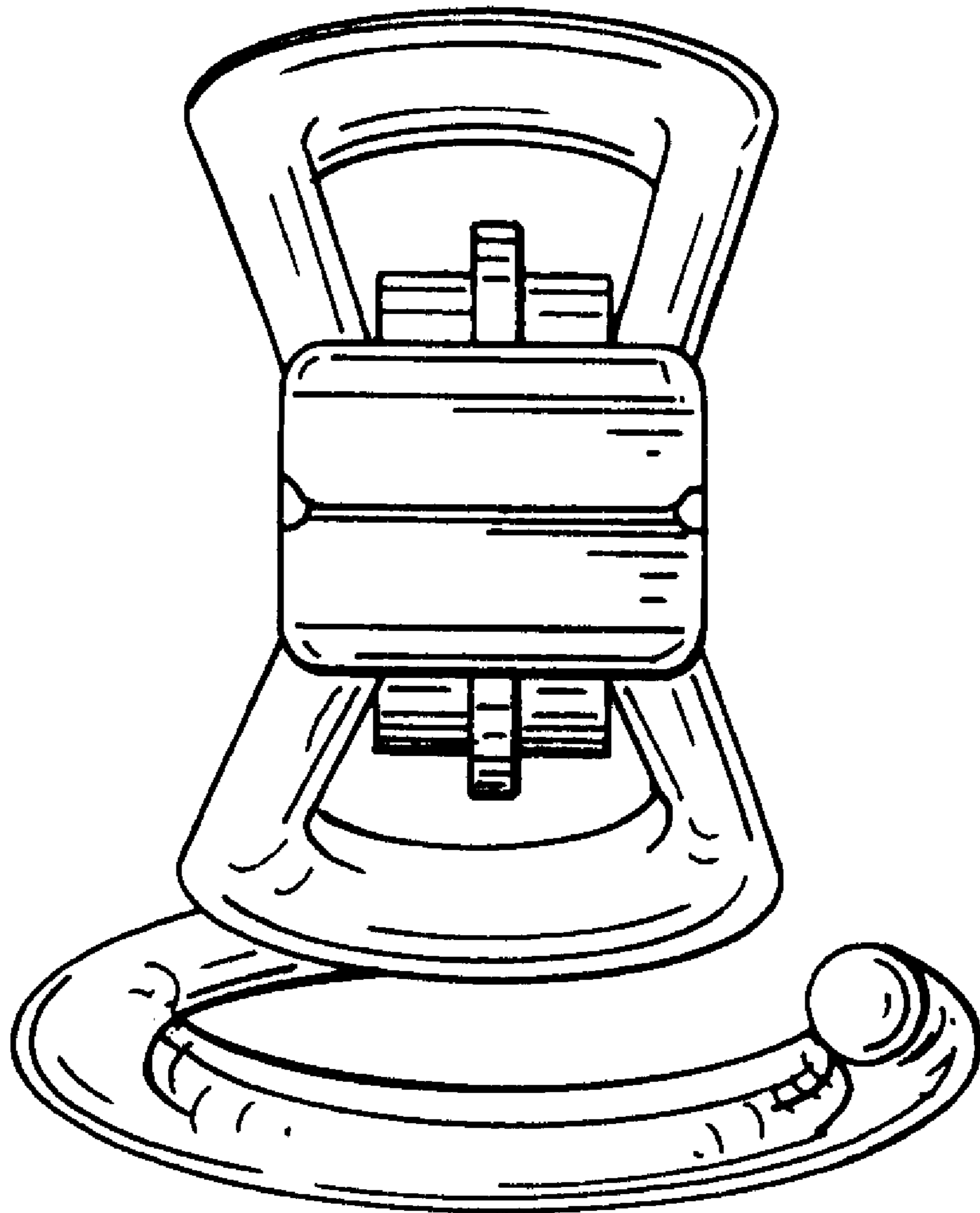


FIG. 7