



US00D481617S

(12) **United States Design Patent**
Kelly

(10) **Patent No.:** **US D481,617 S**

(45) **Date of Patent:** **** Nov. 4, 2003**

(54) **HOOK HANGING DEVICE**

(76) Inventor: **Rick L. Kelly**, 5768 Overbrooke Rd.,
Kettering, OH (US) 45440

(**) Term: **14 Years**

(21) Appl. No.: **29/168,176**

(22) Filed: **Sep. 27, 2002**

(51) **LOC (7) Cl.** **08-05**

(52) **U.S. Cl.** **D8/373**

(58) **Field of Search** D8/373; 248/220.41,
248/220.42; D19/82-83, 85; 223/46; D3/26;
446/126

(56) **References Cited**

U.S. PATENT DOCUMENTS

1,463,805	A	*	8/1923	Faber	211/69.1
2,127,230	A		3/1938	Moineau		
2,469,037	A	*	5/1949	Harvey	289/1.5
2,965,235	A		12/1960	Daline		
3,625,464	A		12/1971	Conran		
3,985,324	A		10/1976	Larson		
4,094,415	A		6/1978	Larson		
4,211,379	A		7/1980	Morgan et al.		
4,239,230	A	*	12/1980	Shoptaugh	273/264
4,434,960	A		3/1984	Berry		
4,509,648	A		4/1985	Govang et al.		
4,629,100	A	*	12/1986	Owens	223/46
D291,841	S	*	9/1987	Owens	D3/26
4,805,784	A		2/1989	Solheim et al.		
5,097,966	A		3/1992	Miller		
5,138,803	A		8/1992	Grossen		
5,259,519	A		11/1993	Lieberman		
5,379,976	A		1/1995	DeGirolamo		
6,142,436	A		11/2000	Thurston et al.		
6,283,311	B1		9/2001	Lee		

OTHER PUBLICATIONS

“Rebecca’s Garden Weekend Project How to Build a Tool Rack,” located on the www.homestore.com website. PegPanel, the plastic pegboard system which is available from stor2000.com.

* cited by examiner

Primary Examiner—Holly Baynham

(74) *Attorney, Agent, or Firm*—Jacox, Meckstroth & Jenkins

(57) **CLAIM**

The ornamental design for a hook hanging device, as shown and described.

DESCRIPTION

FIG. 1 is a perspective view of a hook hanging device in accordance with one embodiment of the invention; FIG. 2 is a top view of the embodiment shown in FIG. 1; FIG. 3 is a front view of the embodiment shown in FIG. 1; FIG. 4 is a right side view of the embodiment shown in FIG. 1; FIG. 5 is a rear view of the embodiment shown in FIG. 1; FIG. 6 is a sectional view taken along line 6—6 in FIG. 5; FIG. 7 is a perspective view of another embodiment of the hook hanging device; FIG. 8 is a top view of the embodiment shown in FIG. 1; FIG. 9 is a front view of the embodiment shown in FIG. 1; FIG. 10 is a right side view of the embodiment shown in FIG. 1; FIG. 11 is a rear view of the embodiment shown in FIG. 1; and, FIG. 12 is a sectional view taken along line 12—12 in FIG. 11.

The broken line showing of a peg is for illustrative purposes only and forms no part of the claimed design.

1 Claim, 2 Drawing Sheets

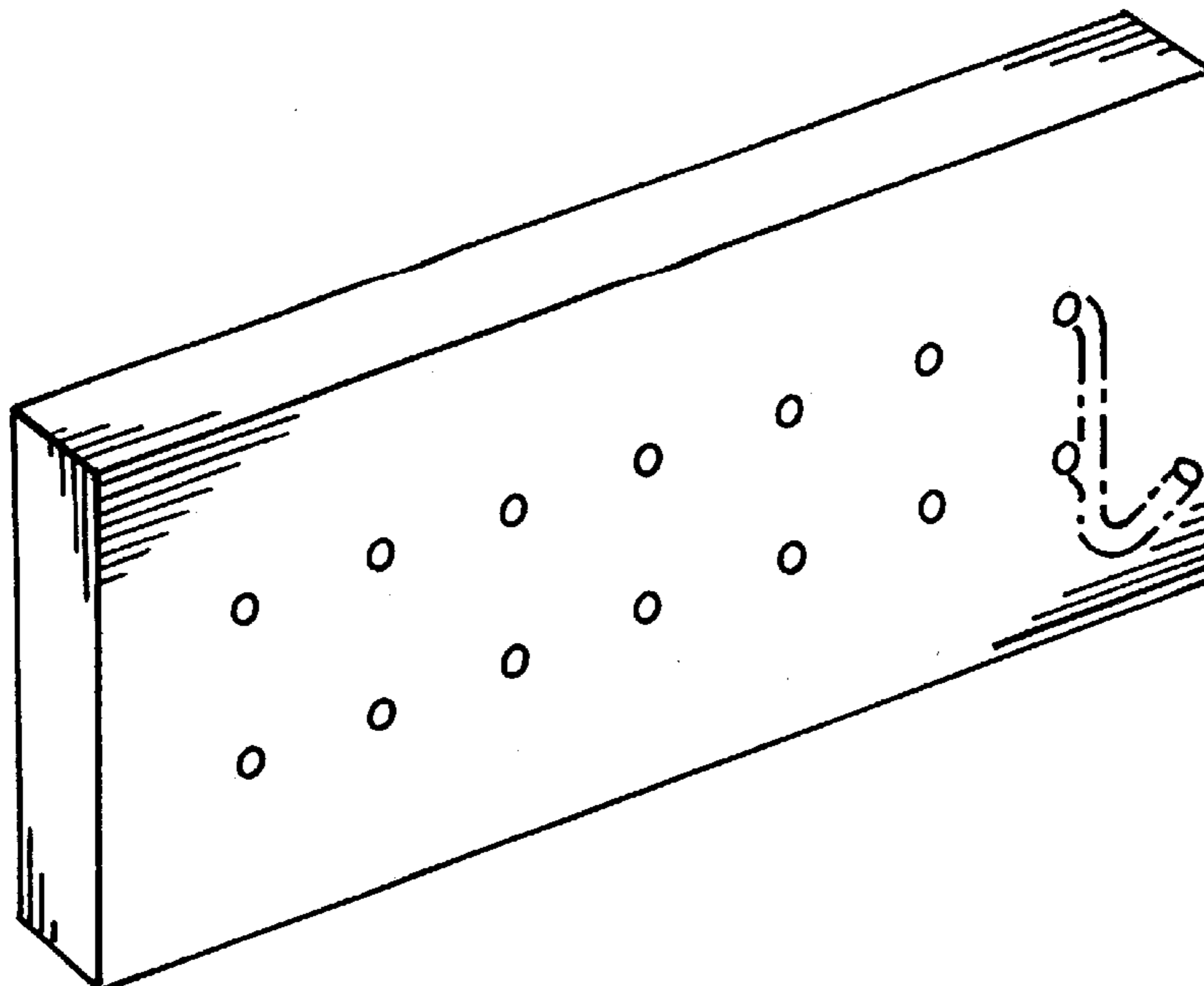


FIG-1

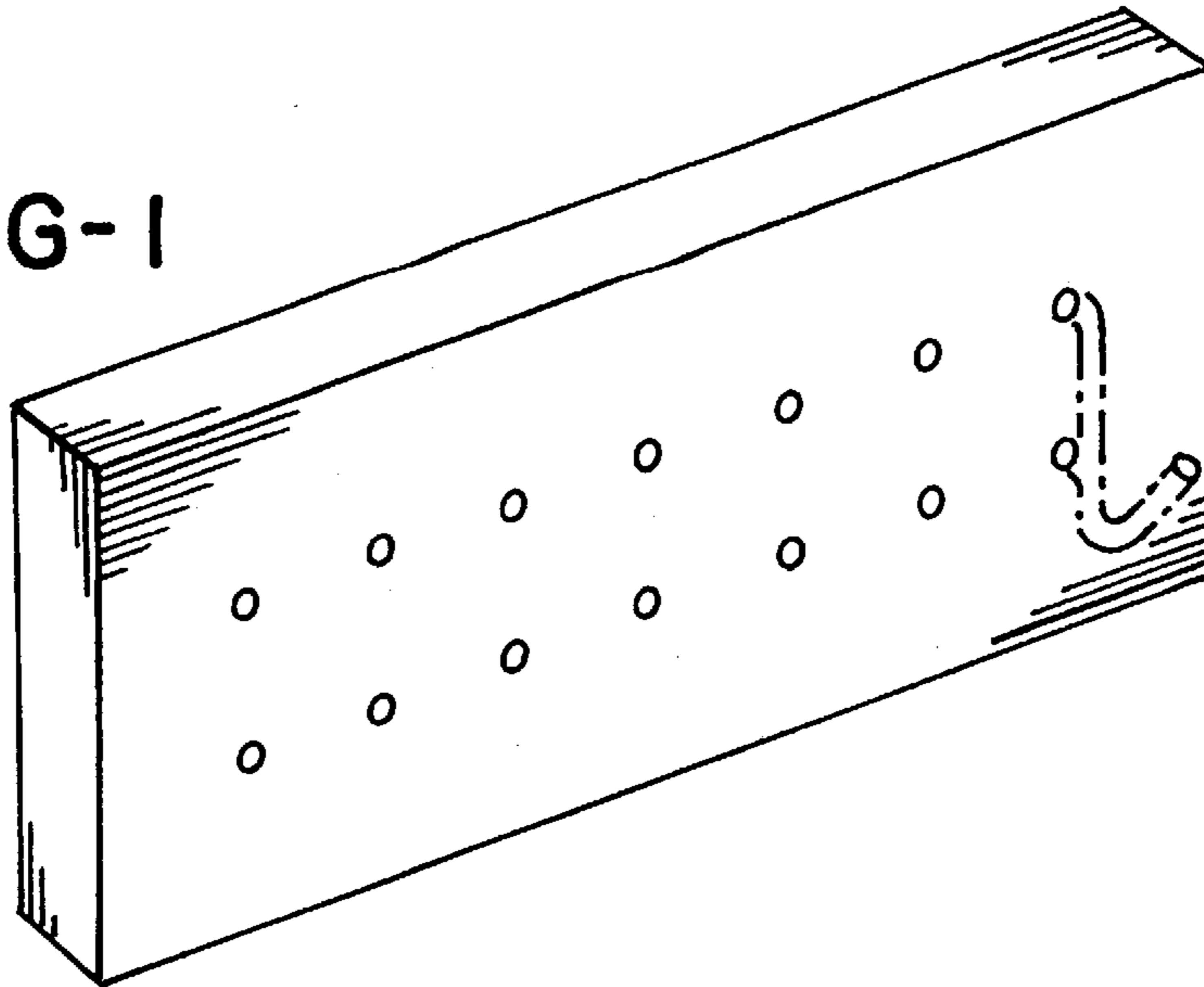


FIG-2



FIG-3

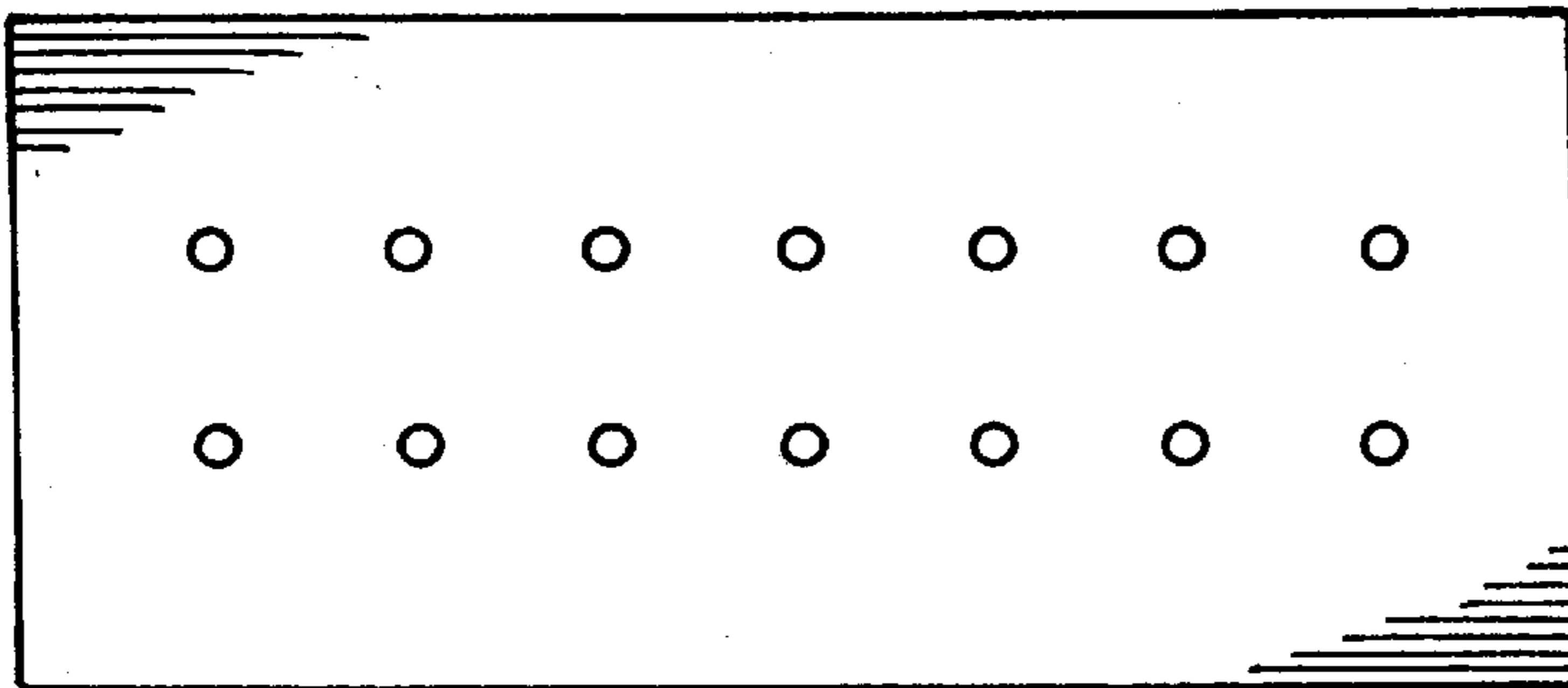


FIG-4



FIG-5

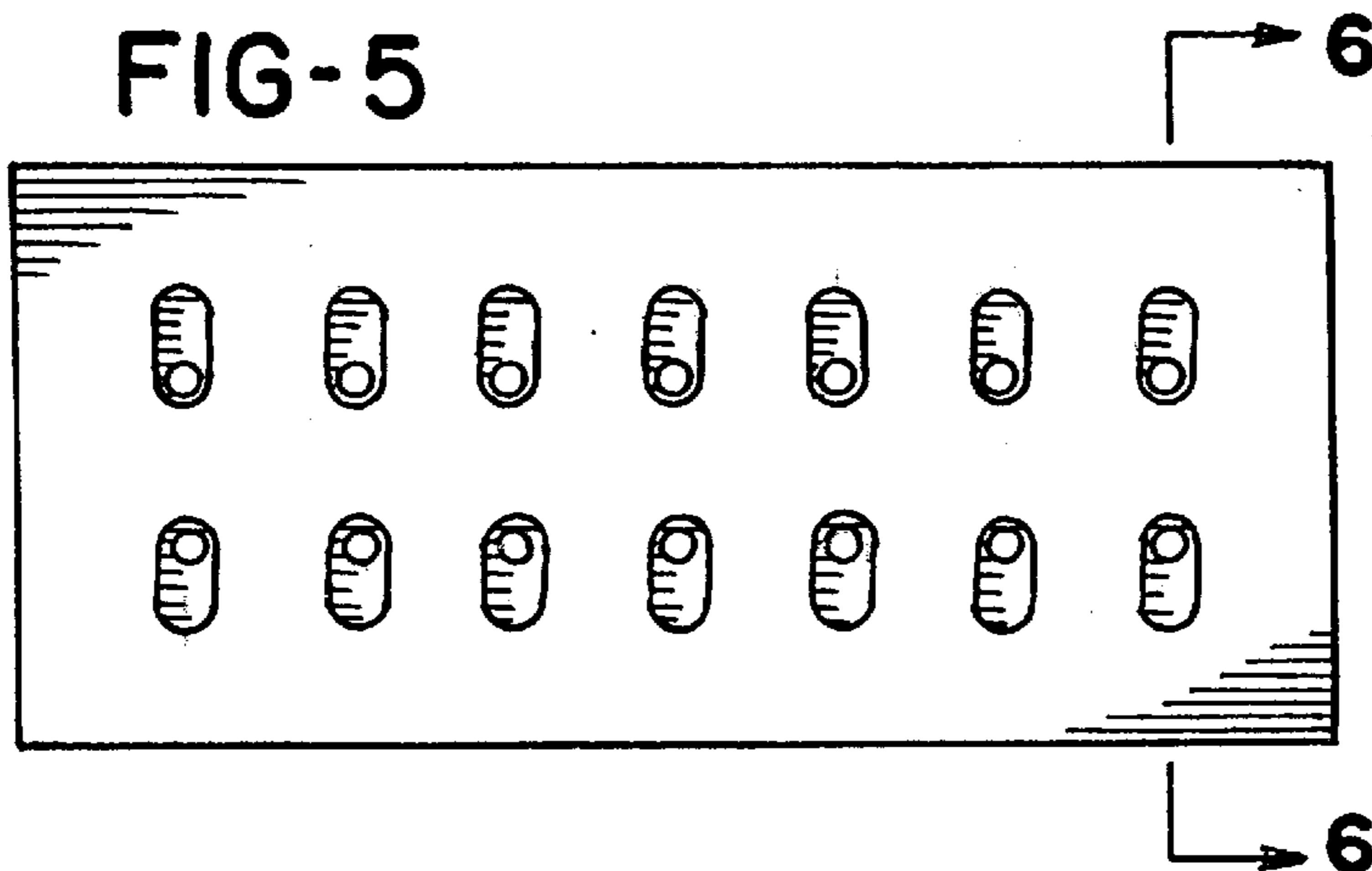


FIG-6



FIG-7

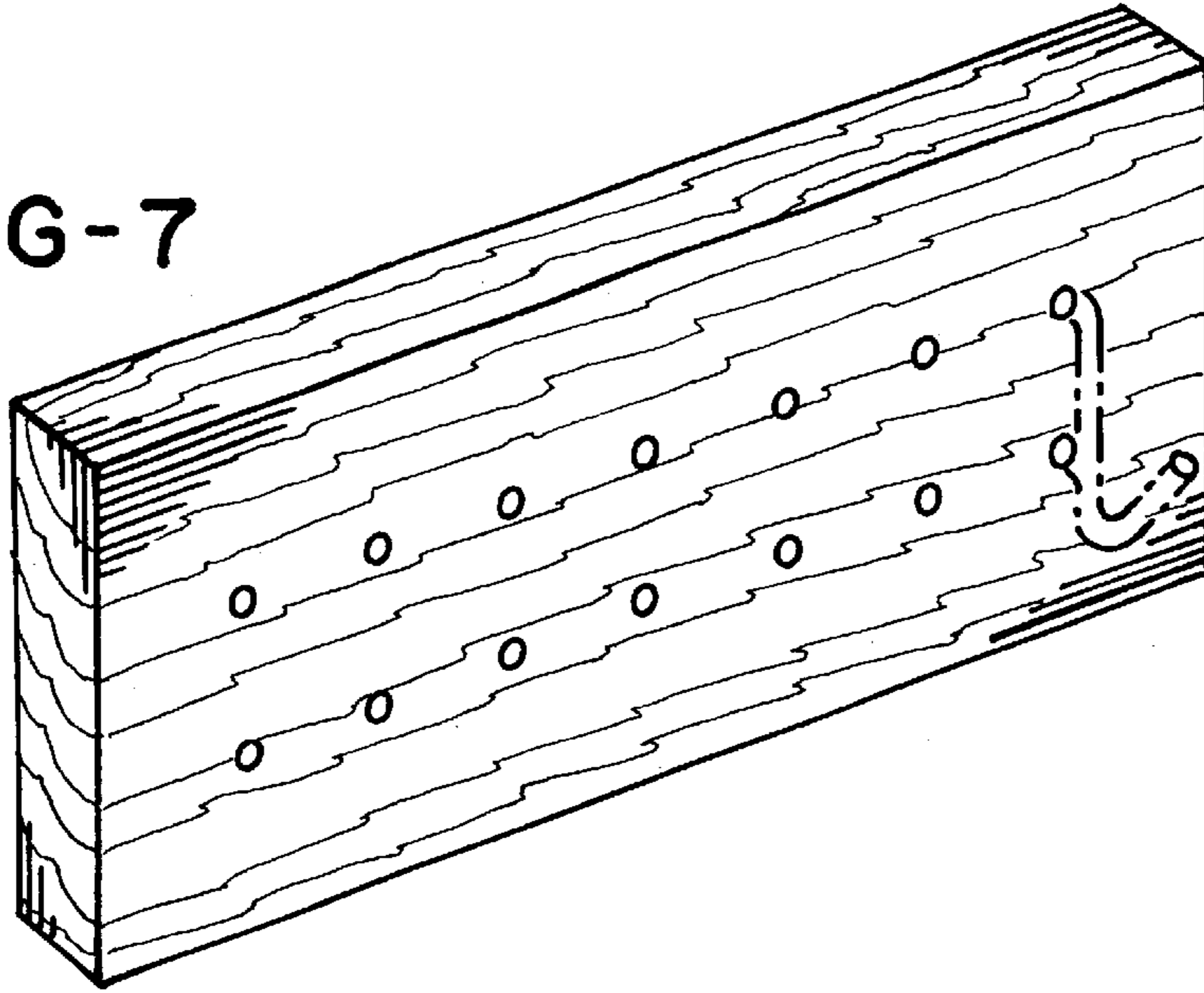


FIG-8

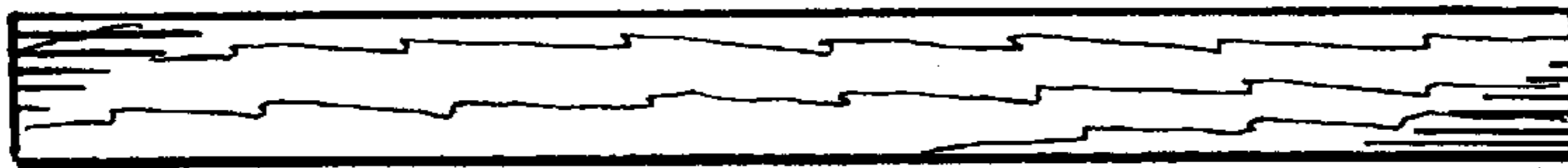


FIG-9

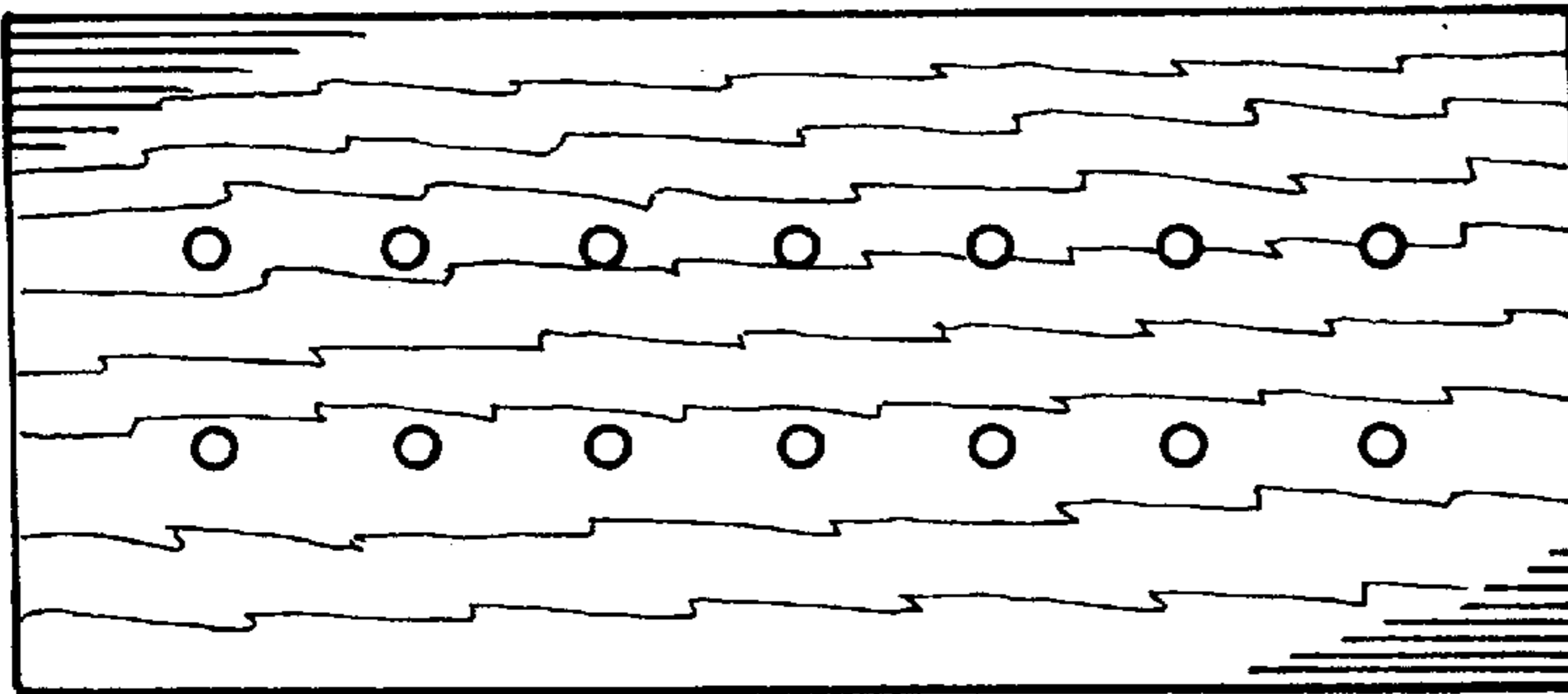


FIG-10



FIG-11

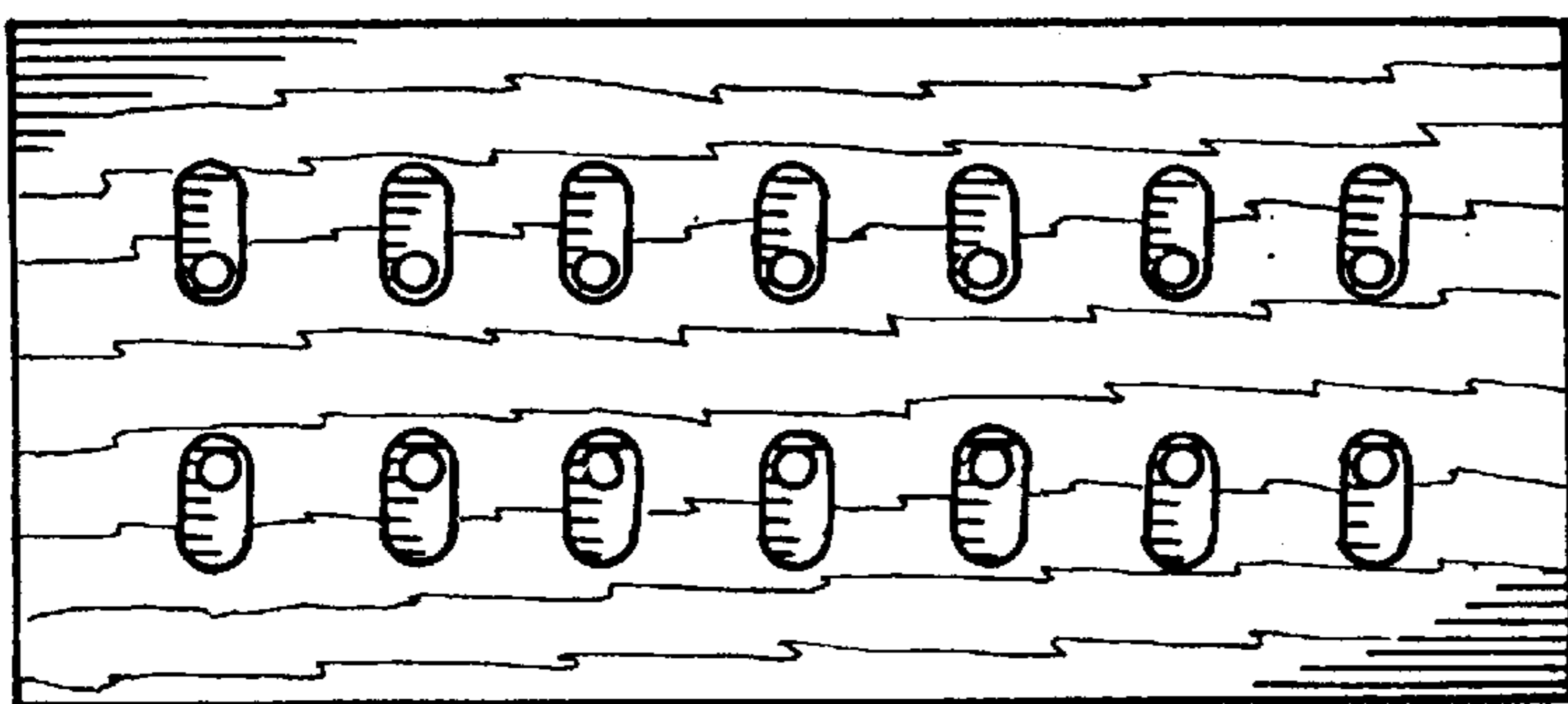


FIG-12



12

12