



US00D481614S

(12) **United States Design Patent**  
**Onel**

(10) **Patent No.:** **US D481,614 S**

(45) **Date of Patent:** **\*\* Nov. 4, 2003**

(54) **LOCK**

D458,578 S \* 6/2002 Hrysko ..... D8/339 X

(75) Inventor: **Patrick Onel**, Amsterdam (NL)

\* cited by examiner

(73) Assignee: **Onelock LLC**, Amsterdam (NL)

*Primary Examiner*—Brian N. Vinson

(\*\*) Term: **14 Years**

(74) *Attorney, Agent, or Firm*—Donald E. Egan

(21) Appl. No.: **29/161,037**

(57) **CLAIM**

(22) Filed: **May 21, 2002**

The ornamental design for a lock, as shown and described.

(51) **LOC (7) Cl.** ..... **08-07**

**DESCRIPTION**

(52) **U.S. Cl.** ..... **D8/331**

FIG. 1 is a perspective view of the lock, showing my new design;

(58) **Field of Search** ..... D8/330, 331, 343,  
D8/339; 70/14, 57, 77, 91, 94, 107

FIG. 2 is a front view of the lock;

FIG. 3 is a top view of the lock;

FIG. 4 is a back view of the lock;

FIG. 5 is a bottom view of the lock;

FIG. 6 is a side view of the lock, from the left side; and,

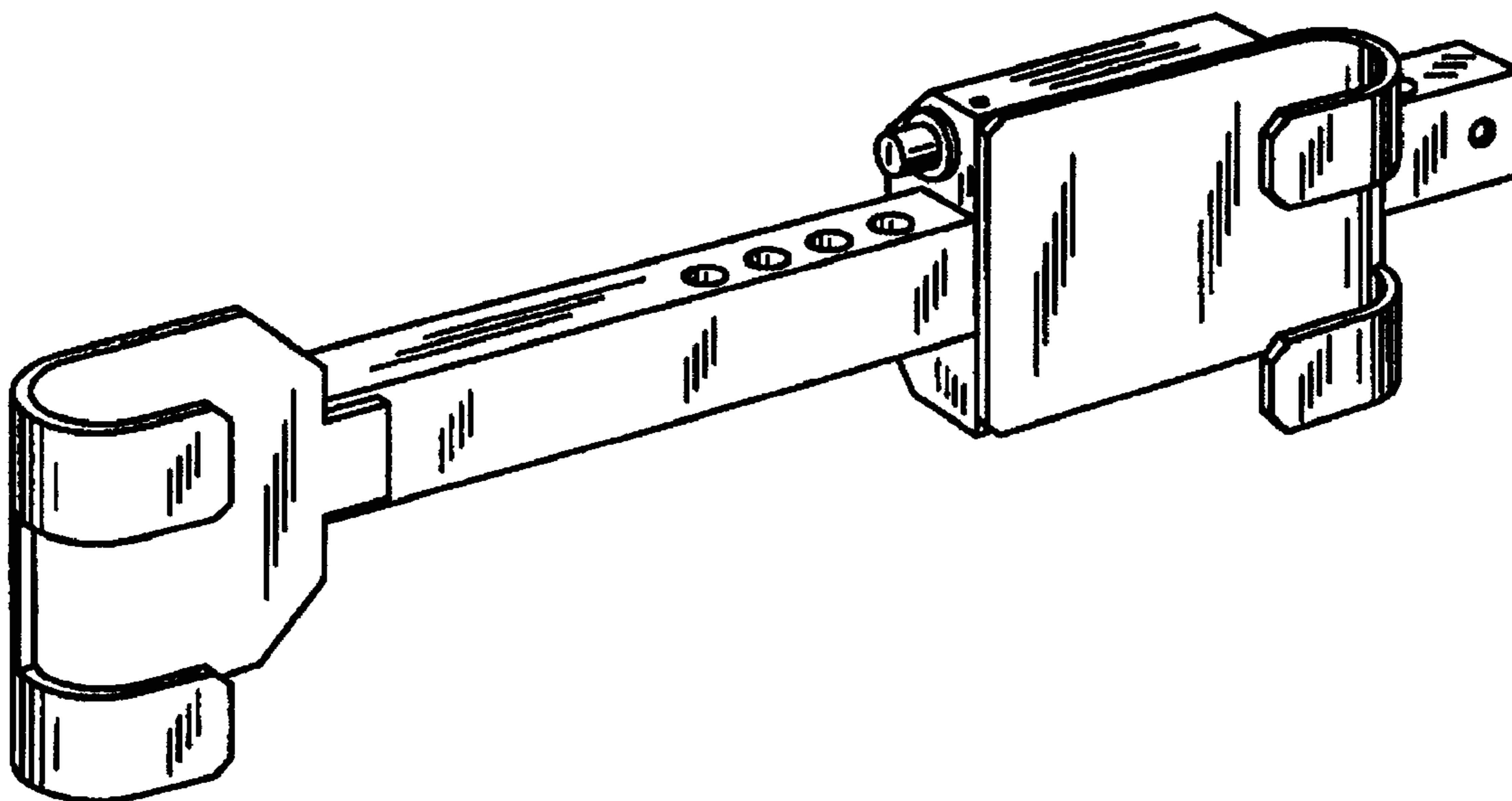
FIG. 7 is a side view of the lock, from the right side.

(56) **References Cited**

**U.S. PATENT DOCUMENTS**

D351,984 S \* 11/1994 Victor ..... D8/331  
D396,627 S \* 8/1998 Btad ..... D8/339  
D400,077 S \* 10/1998 Zeller ..... D8/339

**1 Claim, 1 Drawing Sheet**



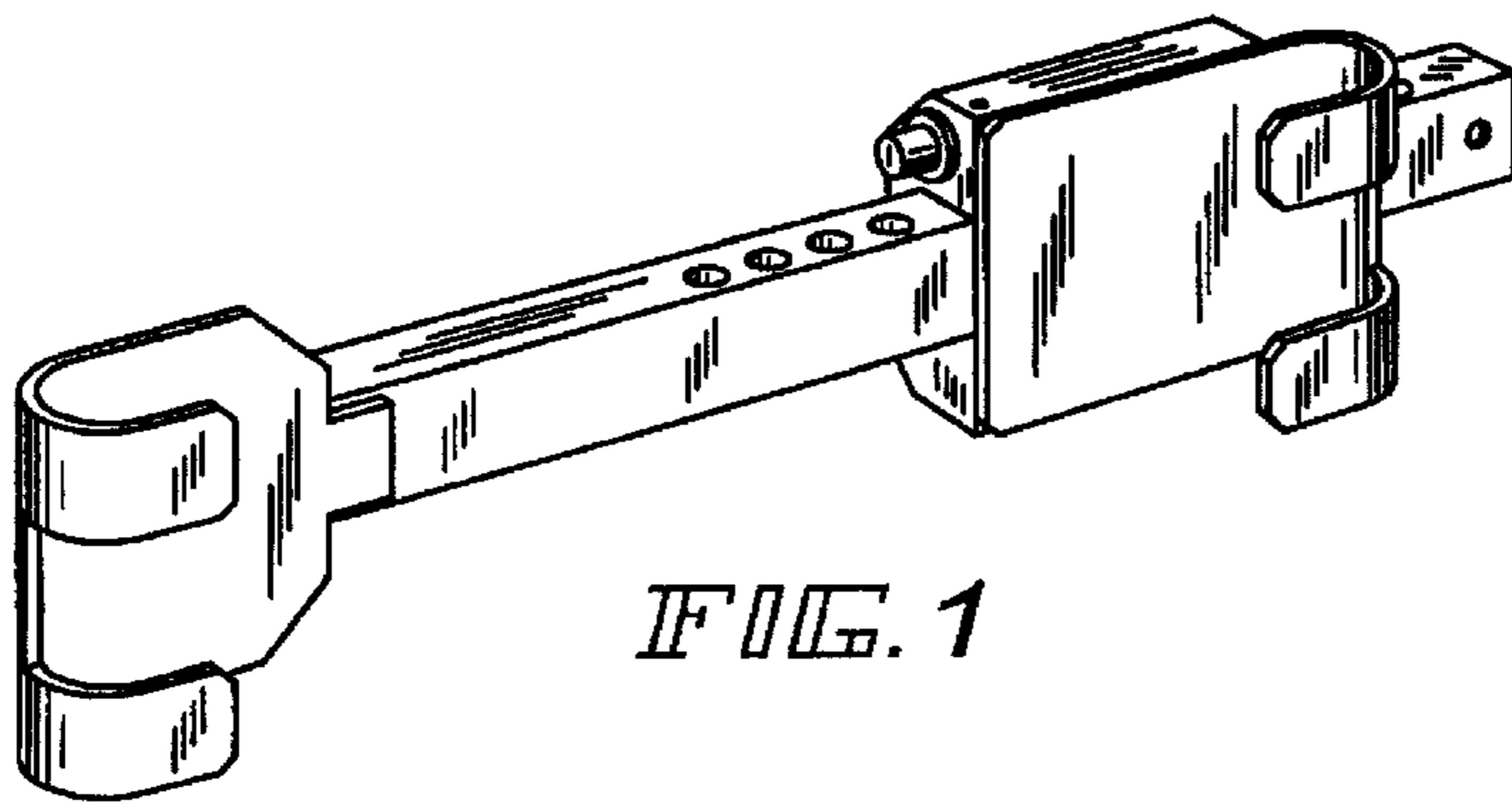


FIG. 1

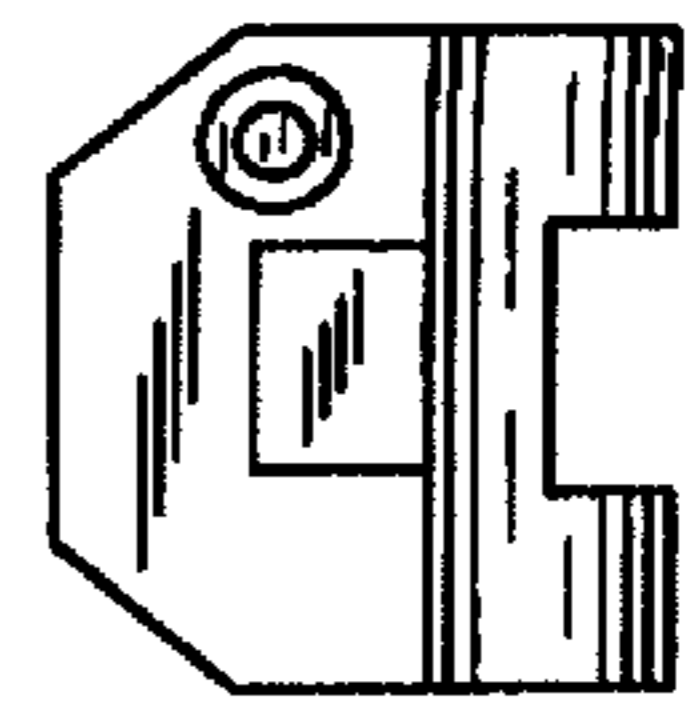


FIG. 6

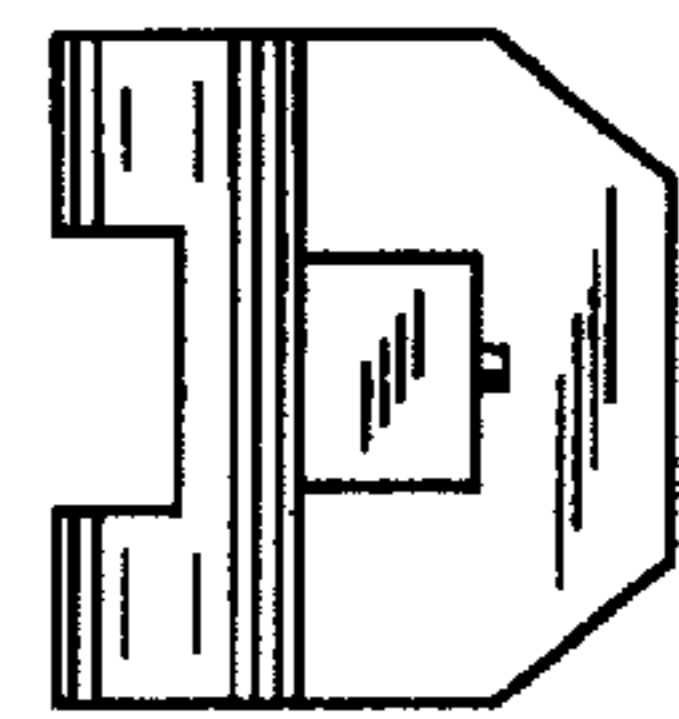


FIG. 7

FIG. 2

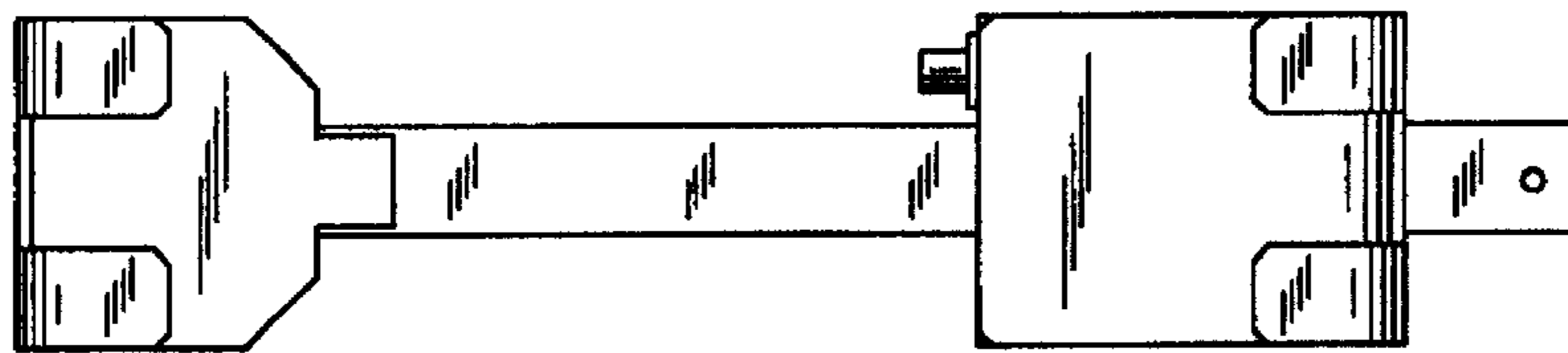


FIG. 3

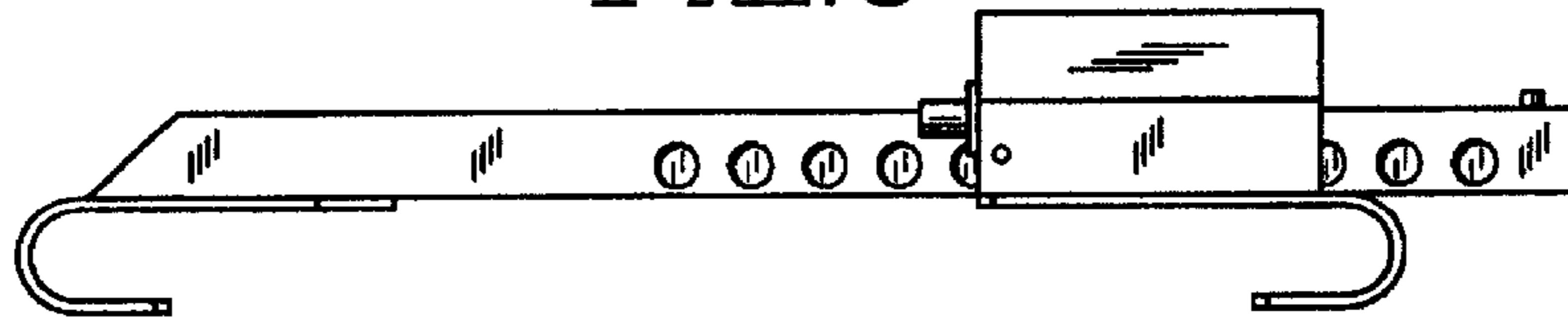


FIG. 4

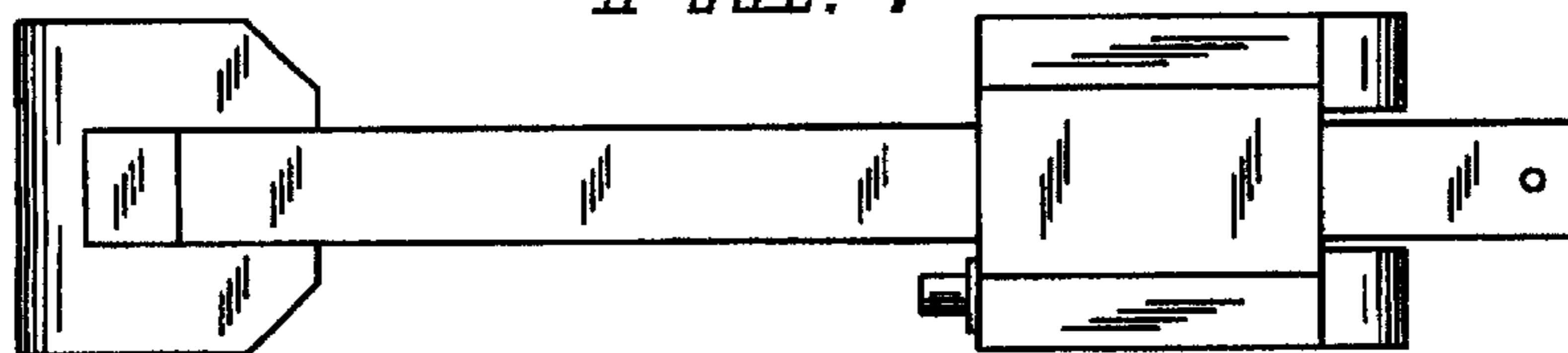


FIG. 5

