



US00D481613S

(12) **United States Design Patent**
Macor

(10) **Patent No.:** **US D481,613 S**

(45) **Date of Patent:** **** Nov. 4, 2003**

(54) **DOUBLE-ENDED WRENCH HANDLE**

(75) Inventor: **Richard J. Macor**, Asbury, NJ (US)

(73) Assignee: **Proprietary Technologies, Inc.**,
Hunterdon County, NJ (US)

(**) Term: **14 Years**

(21) Appl. No.: **29/176,094**

(22) Filed: **Feb. 20, 2003**

Related U.S. Application Data

(63) Continuation-in-part of application No. 10/226,055, filed on
Aug. 22, 2002.

(51) **LOC (7) Cl.** **08-05**

(52) **U.S. Cl.** **D8/107**

(58) **Field of Search** D8/21-29, 107,
D8/303, 17, 82-87; 81/125.1, 177.1, 489,
436-440; D7/393, 395, 645, 401.2; D4/135,
138; 16/110.1, 421, 422, 430

(56) **References Cited**

U.S. PATENT DOCUMENTS

827,846 A * 8/1906 Bowser et al. D8/29
1,049,455 A * 1/1913 Clarkson 81/177.1
1,793,714 A * 2/1931 Newberg 81/125.1

3,550,275 A * 12/1970 Baun D8/107
4,002,207 A * 1/1977 Bartz 16/430
5,172,614 A * 12/1992 Monnet et al. 81/119
D397,597 S * 9/1998 Davidson et al. D8/25
D434,292 S * 11/2000 Hsieh D8/28
D445,014 S * 7/2001 Douglas et al. D8/107

* cited by examiner

Primary Examiner—Clare E. Heflin

(57) **CLAIM**

The ornamental design for a double-ended wrench handle, as
shown and described.

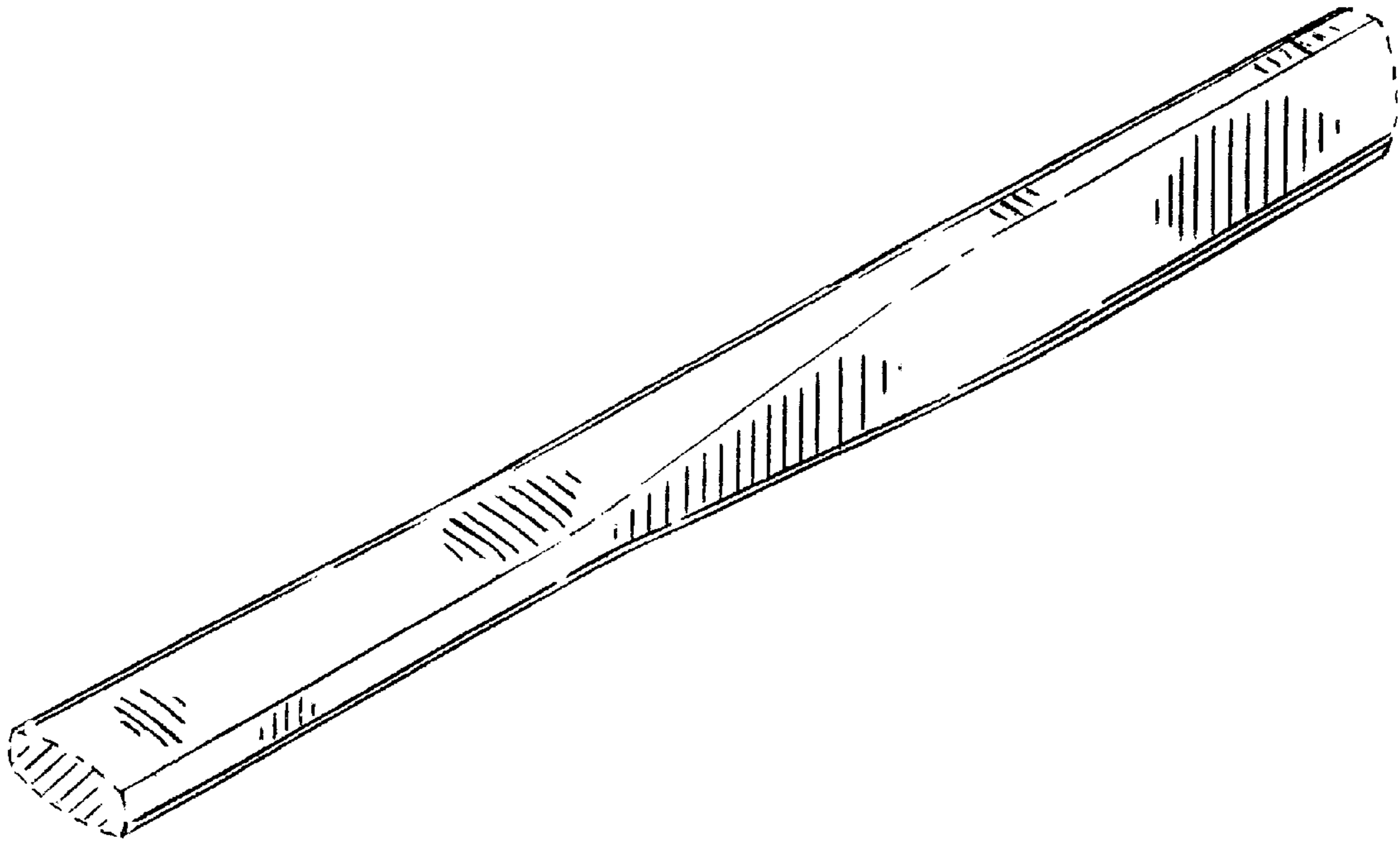
DESCRIPTION

FIG. 1 is a perspective view of a double-ended wrench
handle showing my new design;
FIG. 2 is a top plan view thereof;
FIG. 3 is a bottom plan view thereof;
FIG. 4 is a right side elevation view thereof; and,
FIG. 5 is a left side elevation view thereof.

The front of the double-ended wrench handle forms no part
of the claimed design; and, the rear of the double-ended
wrench handle forms no part of the claimed design.

The broken line disclosure at the ends of the double-ended
wrench handle shown in FIGS. 1-5 define the boundaries of
the claimed subject matter, but form no part of it.

1 Claim, 2 Drawing Sheets



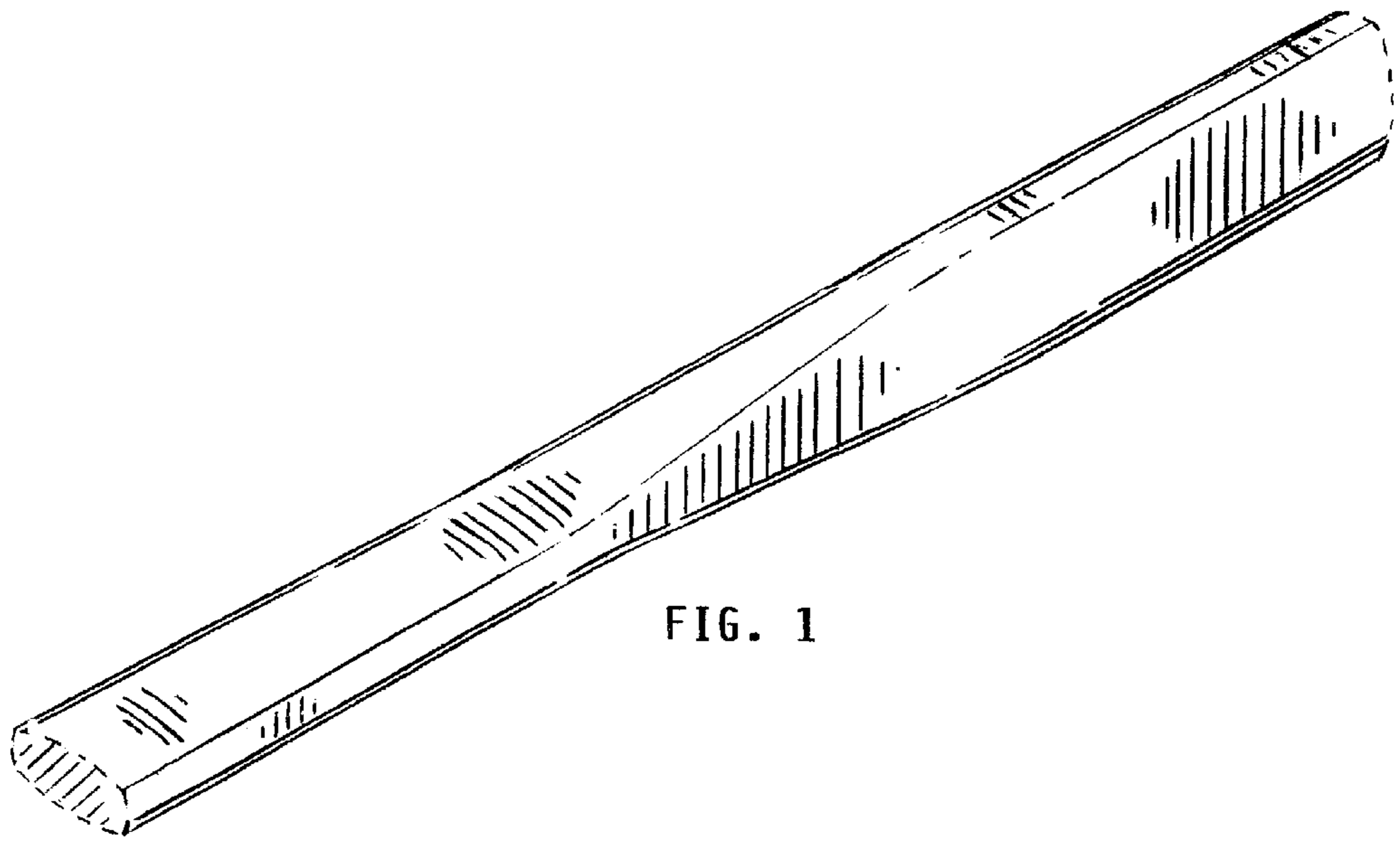


FIG. 1

FIG. 2

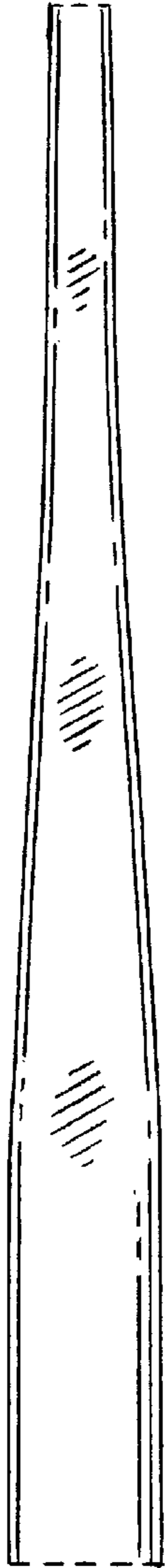


FIG. 3

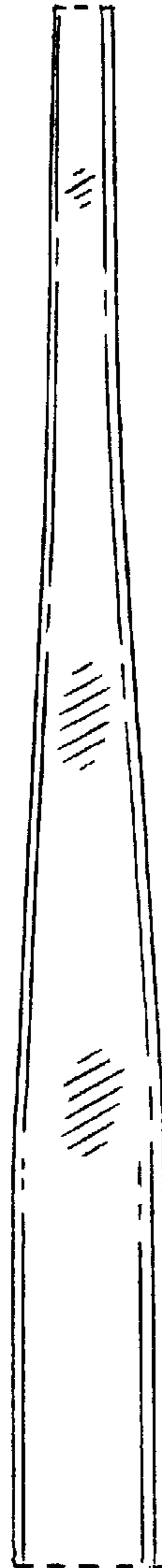


FIG. 4

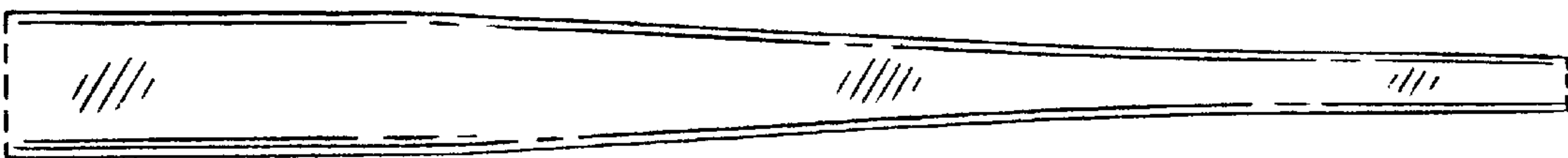


FIG. 5