



US00D481605S

(12) **United States Design Patent**
West

(10) **Patent No.:** **US D481,605 S**

(45) **Date of Patent:** **** Nov. 4, 2003**

(54) **CABINET DOOR CLAMPING FRAME**

4,023,394 A * 5/1977 Borup 269/909
4,383,680 A * 5/1983 Braceland 269/43

(76) Inventor: **Kenneth L. West**, 209 N. West St.,
Butler, MO (US) 64730

* cited by examiner

(**) Term: **14 Years**

Primary Examiner—Louis S. Zarfaz
Assistant Examiner—Deanne Levy
(74) *Attorney, Agent, or Firm*—Shook, Hardy & Bacon
LLP

(21) Appl. No.: **29/139,452**

(22) Filed: **Mar. 30, 2001**

(51) **LOC (7) Cl.** **08-05**

(52) **U.S. Cl.** **D8/72**

(58) **Field of Search** D8/71-74, 394;
269/37, 111, 140, 40, 43, 113, 118, 120,
121, 122, 287, 244, 905, 909, 910; 144/286.5

(57) **CLAIM**

The ornamental design for a cabinet door clamping frame, as shown and described.

DESCRIPTION

FIG. 1 is a top plan view of a cabinet door clamping frame according to the present invention; FIG. 2 is a front elevational view thereof; and, FIG. 3 is an end elevational view thereof.

(56) **References Cited**

U.S. PATENT DOCUMENTS

1,639,083 A * 8/1927 De Penning 269/140
3,056,600 A * 10/1962 Merrick 269/905
3,392,972 A * 7/1968 Wing 269/111

1 Claim, 1 Drawing Sheet

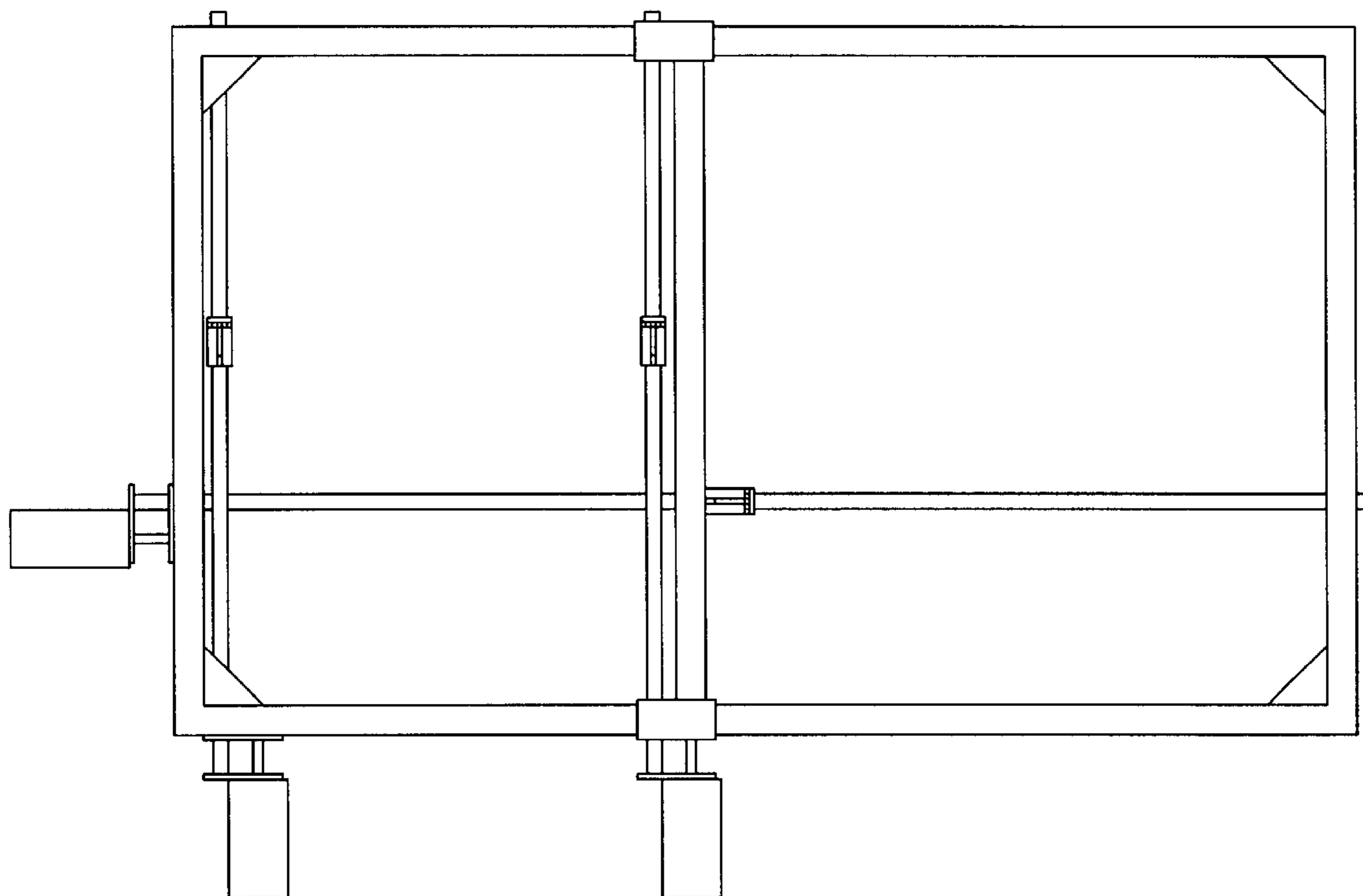


Fig.1

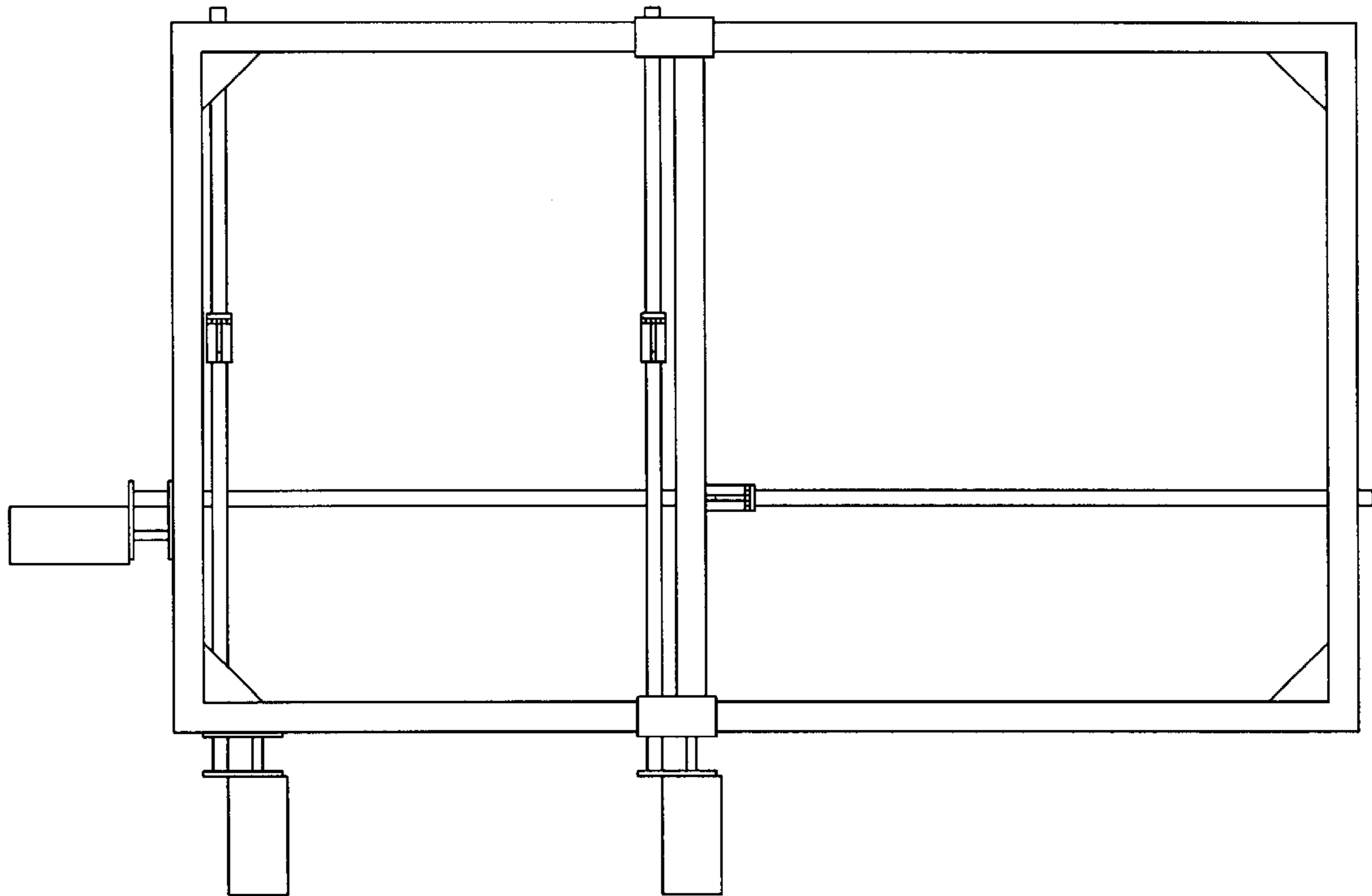


Fig.2

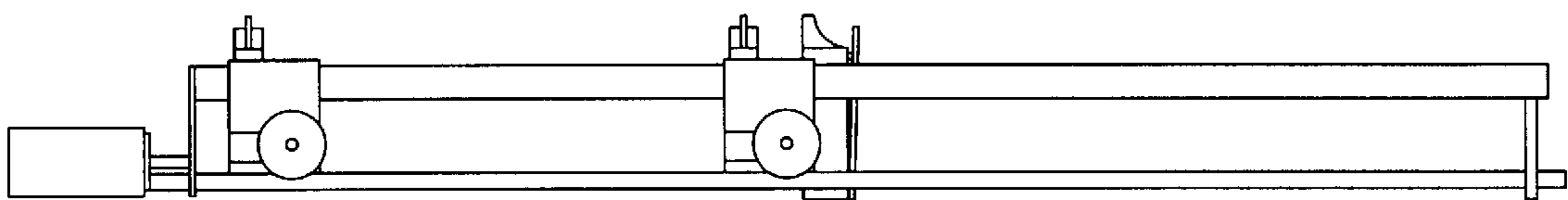


Fig.3

