



US00D481604S

(12) **United States Design Patent**  
**Woodruff**

(10) **Patent No.:** **US D481,604 S**

(45) **Date of Patent:** **\*\* Nov. 4, 2003**

(54) **TOOL REST FOR A LATHE**

(76) **Inventor:** **David L. Woodruff**, 192 Sonata Dr.,  
Lewisville, NC (US) 27023

(\*\*) **Term:** **14 Years**

(21) **Appl. No.:** **29/168,203**

(22) **Filed:** **Sep. 27, 2002**

(51) **LOC (7) Cl.** ..... **08-05**

(52) **U.S. Cl.** ..... **D8/71**

(58) **Field of Search** ..... D8/71, 14.1, 64,  
D8/66, 70, 72, 73, 74, 349, 354, 373; D15/130,  
132, 138, 139, 140, 141; 33/474, 533, 613;  
81/177.1, 177.4, 437, 438, 439, 490; 82/161;  
83/581, 760, 762, 763, 764, 766; 142/48,  
49, 55; 211/60.1, 70.6; 248/80, 153, 175,  
176.1, 201, 304, 309.1, 312, 312.1, 315,  
316.8; 269/41, 42, 283

(56) **References Cited**

**U.S. PATENT DOCUMENTS**

604,673 A \* 5/1898 Weir ..... 83/763  
2,378,454 A \* 6/1945 Werling ..... D8/71

D255,801 S \* 7/1980 Treloar ..... D15/130  
4,615,365 A \* 10/1986 Arnall ..... D15/130  
4,924,924 A \* 5/1990 Stewart ..... 142/49  
5,224,529 A \* 7/1993 Kenny ..... 142/49  
5,992,482 A \* 11/1999 Voisey ..... 142/49  
D425,916 S \* 5/2000 Cheng ..... D15/130  
D471,570 S \* 3/2003 Wang ..... D15/130

\* cited by examiner

*Primary Examiner*—Doris V. Coles  
*Assistant Examiner*—T. Chase Nelson

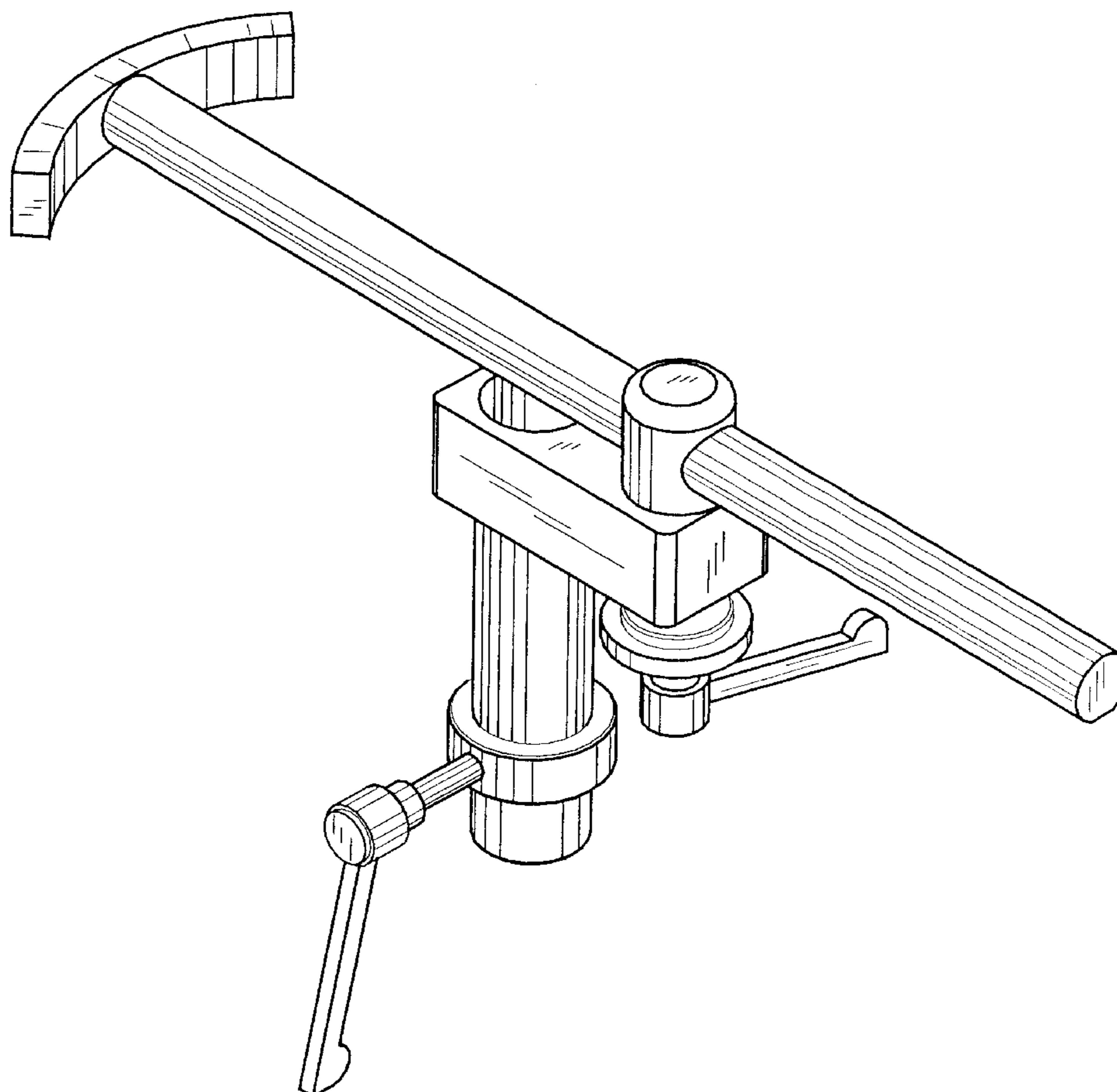
(57) **CLAIM**

The ornamental design for a tool rest for a lathe, as shown and described.

**DESCRIPTION**

FIG. 1 is a top, front, left side perspective view of a tool rest for a lathe embodying my design;  
FIG. 2 is a top plan view thereof;  
FIG. 3 is a bottom plan view thereof;  
FIG. 4 is a right side elevational view thereof;  
FIG. 5 is a rear elevational view thereof; and,  
FIG. 6 is a front elevational view thereof.

**1 Claim, 5 Drawing Sheets**



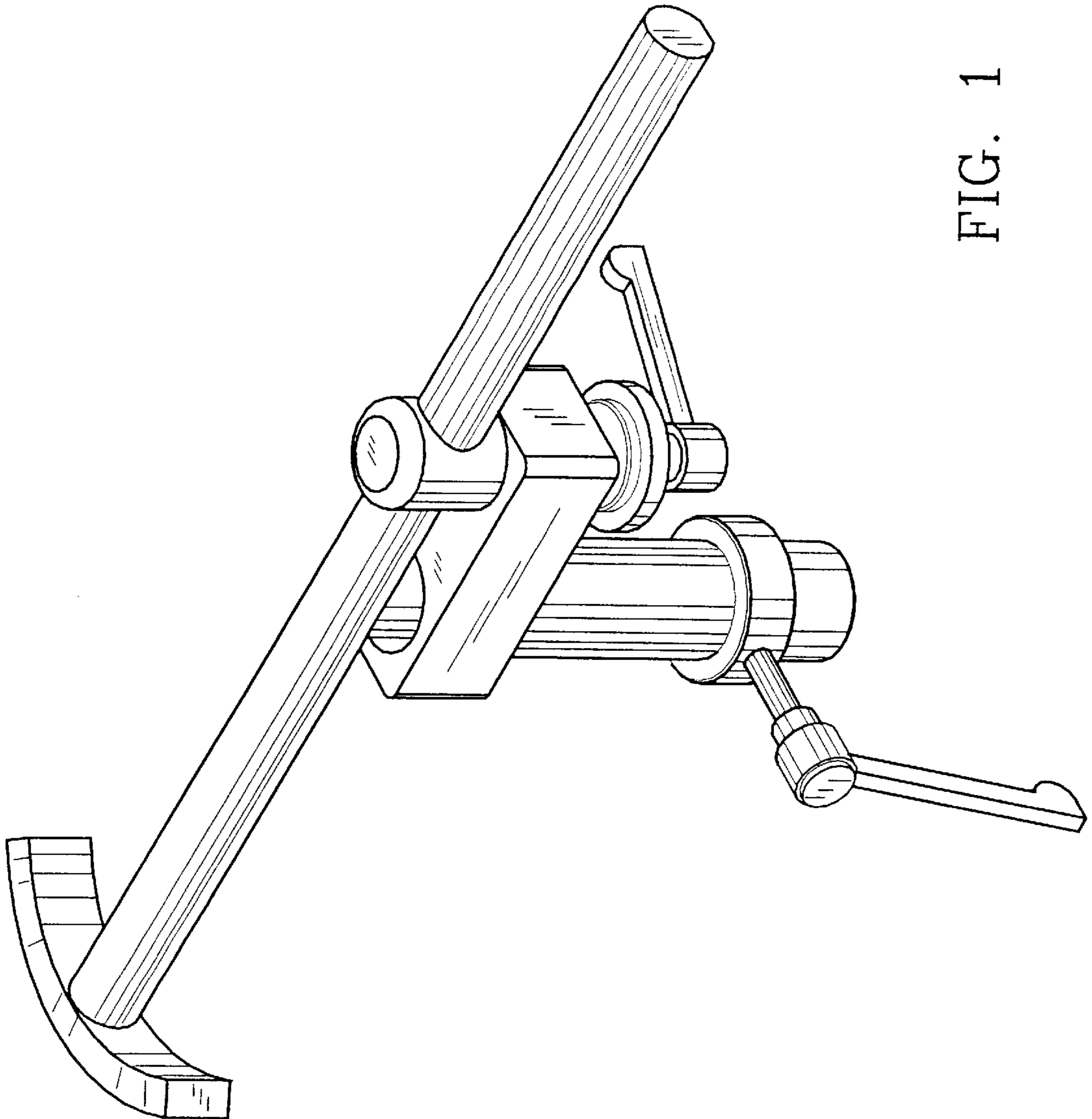


FIG. 1

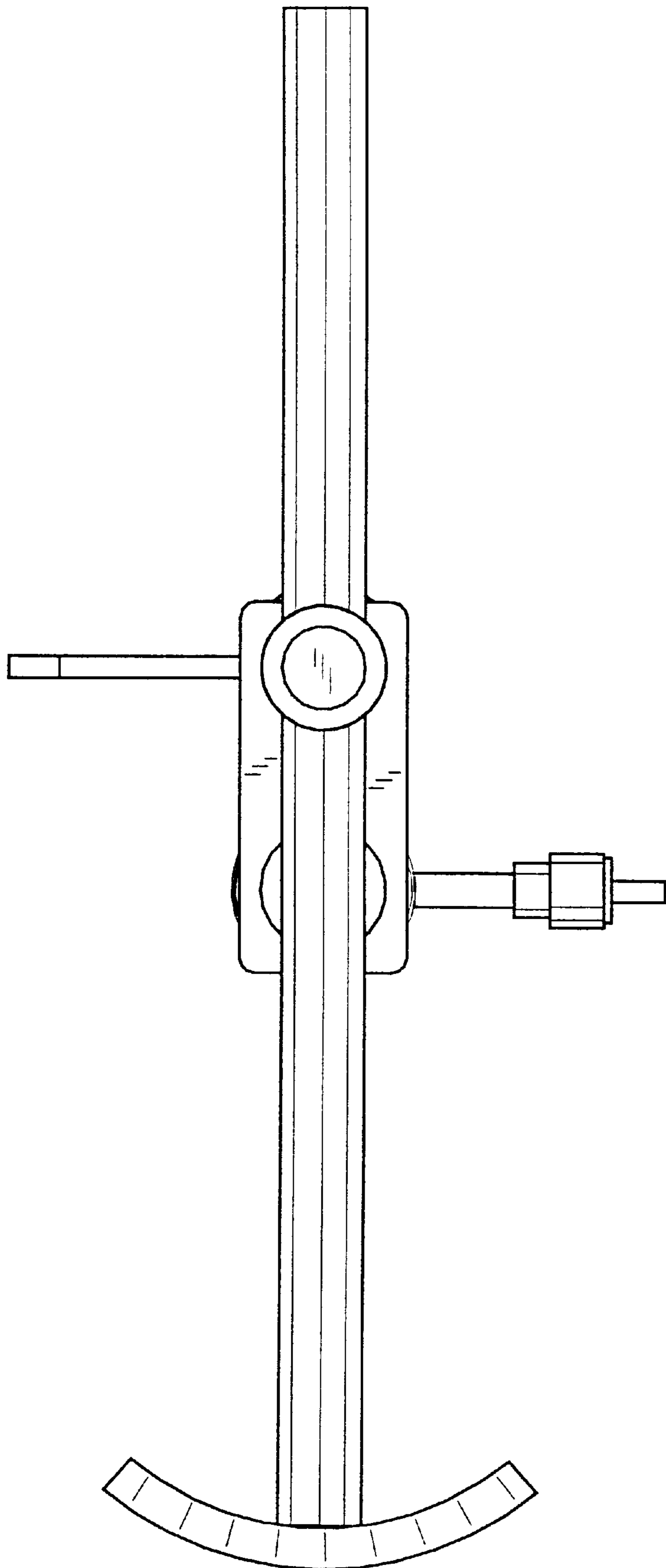


FIG. 2

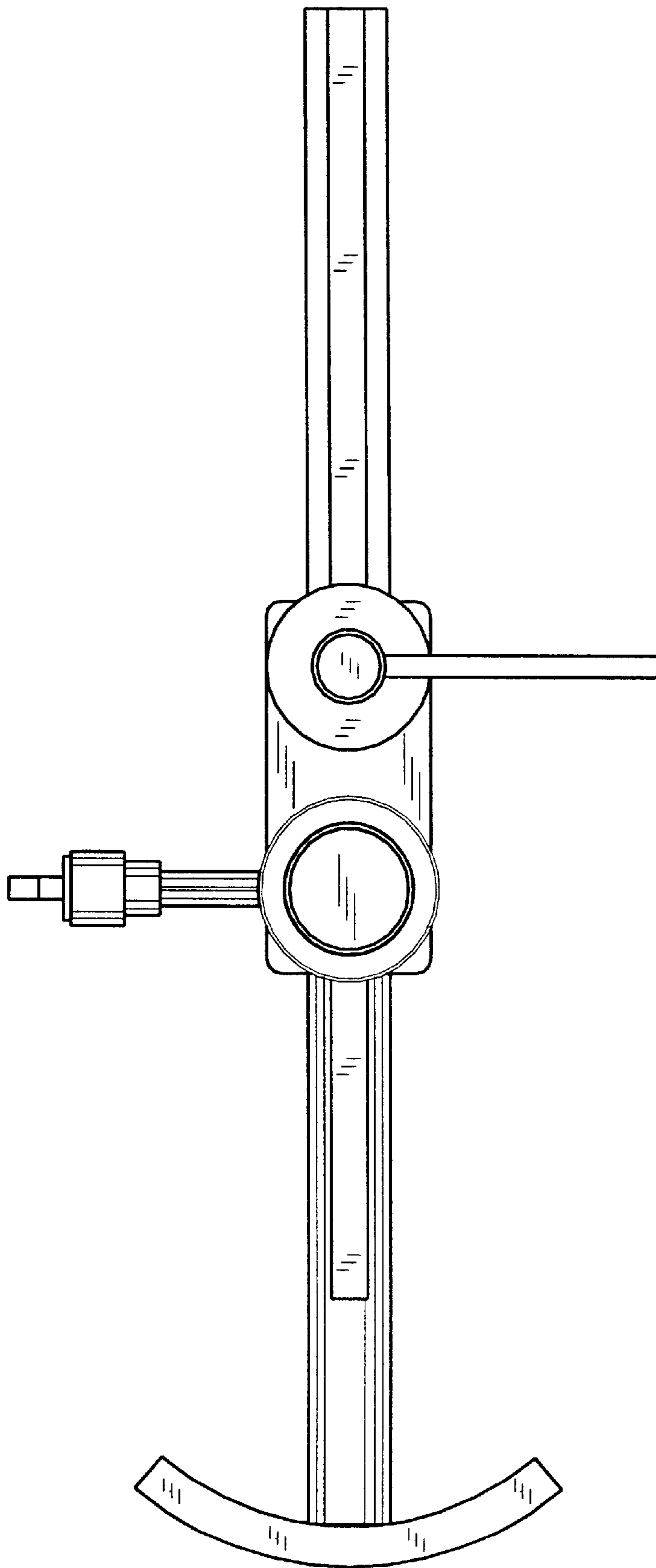


FIG. 3

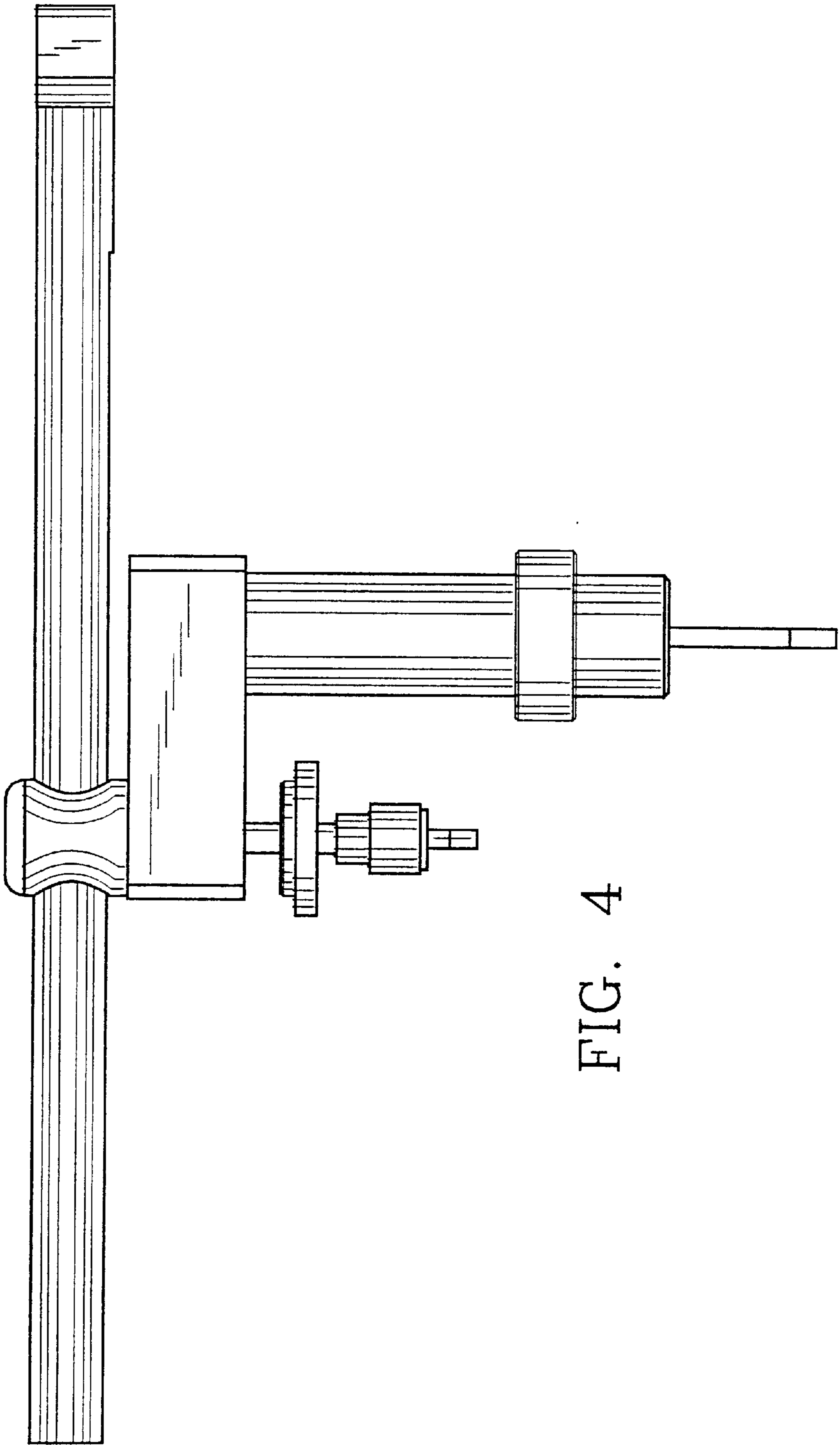


FIG. 4

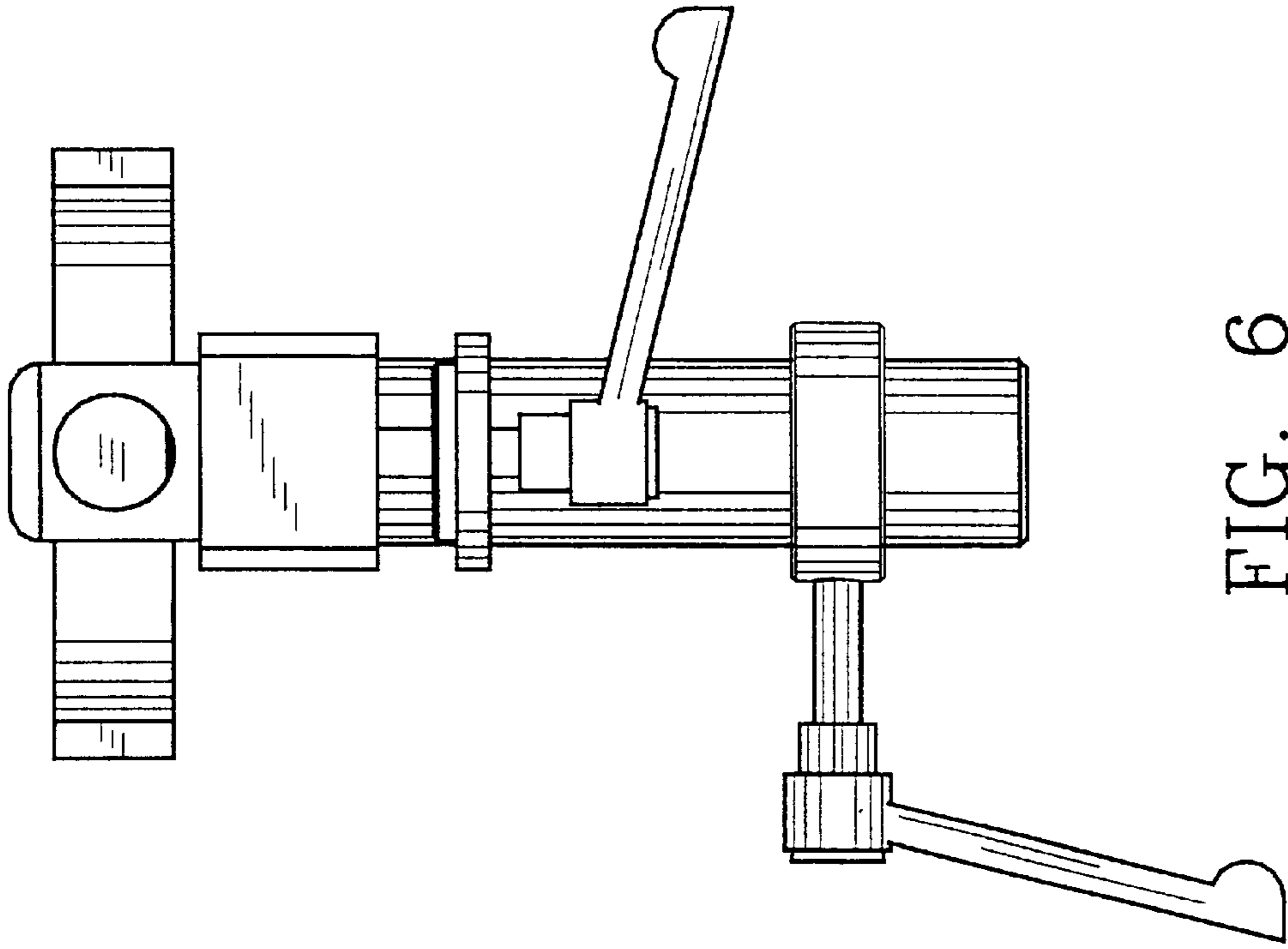


FIG. 6

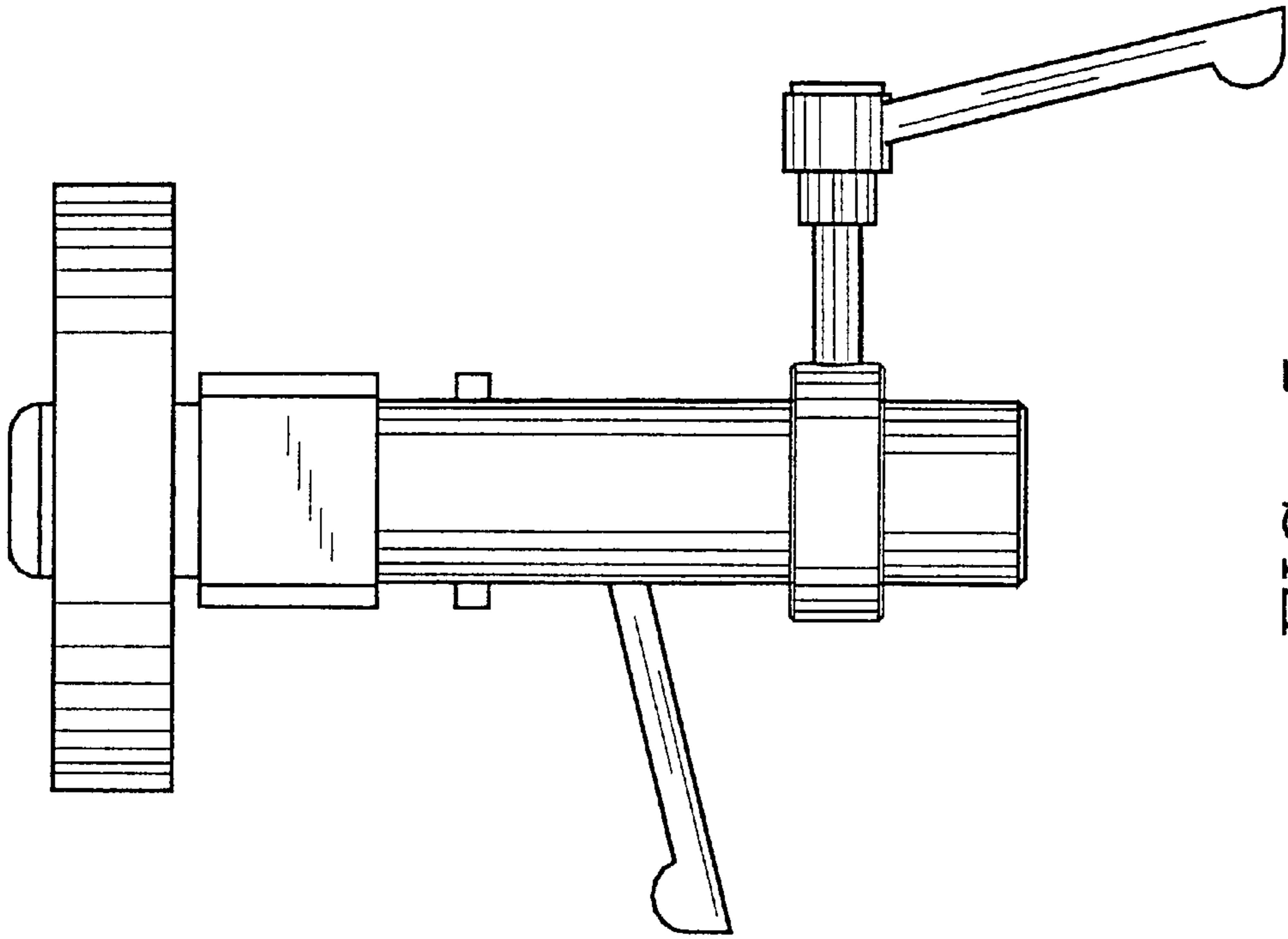


FIG. 5