



US00D481603S

(12) **United States Design Patent**  
**Kelley**

(10) **Patent No.:** **US D481,603 S**

(45) **Date of Patent:** **\*\* Nov. 4, 2003**

(54) **MULTI ANGLE TILE SAW MITER GUIDE**

OTHER PUBLICATIONS

(76) Inventor: **Daniel E. Kelley**, 31327 Emperor Dr.,  
Canyon Lake, CA (US) 92587

FTS-150 Portable Production Tile Saw and Cutting Acces-  
sories described on p. 12 of the Felker Full Line Products  
Catalog, Eleventh Edition, which may be considered prior  
art relative to the instant application (www.felkersaws.com).

(\*\*) Term: **14 Years**

\* cited by examiner

(21) Appl. No.: **29/159,058**

*Primary Examiner*—Doris V. Coles

(22) Filed: **Apr. 15, 2002**

*Assistant Examiner*—T. Chase Nelson

(51) **LOC (7) Cl.** ..... **08-05**

(74) *Attorney, Agent, or Firm*—Loyal McKinley Hanson

(52) **U.S. Cl.** ..... **D8/71**

(58) **Field of Search** ..... D8/71, 14.1, 64,  
D8/66, 70, 72, 73, 74, 349, 354, 373; D15/130,  
132, 138, 139, 140, 141; 33/474, 533, 613;  
81/177.1, 177.4, 437, 438, 439, 490; 82/161;  
83/581, 760, 762, 763, 764, 766; 142/48,  
49, 55; 211/60.1, 70.6; 248/80, 153, 175,  
176.1, 201, 304, 309.1, 312, 312.1, 315,  
316.8; 269/41, 42, 283

(57) **CLAIM**

The ornamental design for a multi angle tile saw miter guide,  
as shown.

(56) **References Cited**

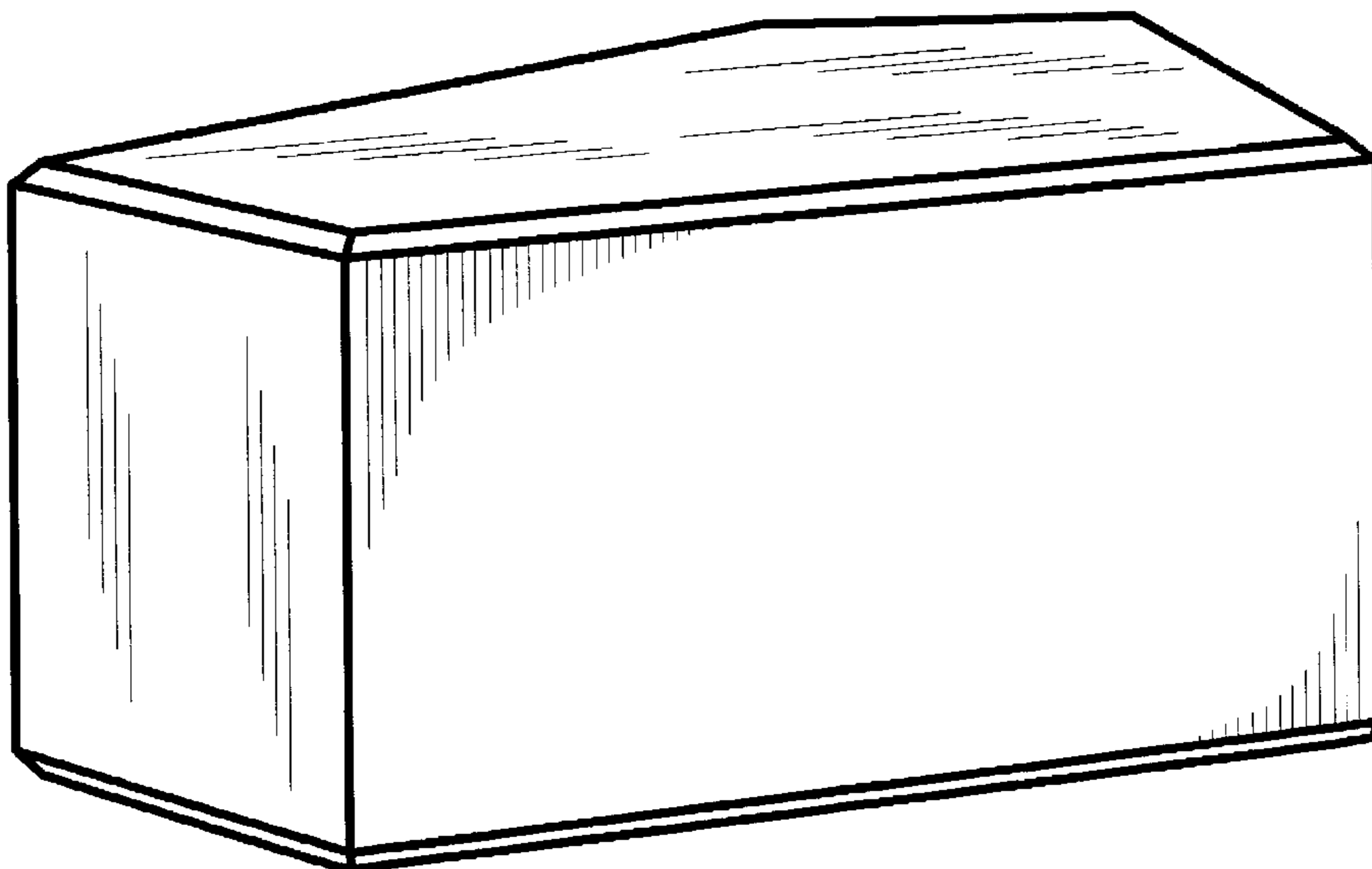
**DESCRIPTION**

**U.S. PATENT DOCUMENTS**

469,159	A	*	2/1892	Maroske	.....	83/763
850,873	A	*	4/1907	Pringle	.....	83/762
851,023	A	*	4/1907	McCartney	.....	83/760
3,782,235	A	*	1/1974	Curcio	.....	83/762
3,811,356	A	*	5/1974	Wylar	.....	D8/71
3,837,253	A	*	9/1974	Slemmons	.....	83/581
4,218,947	A	*	8/1980	Laviola	.....	83/581
4,281,827	A	*	8/1981	Horwath	.....	83/581
4,315,494	A		2/1982	DiPlacido		
D268,732	S	*	4/1983	O'Neill	.....	D8/71
4,436,014	A	*	3/1984	O'Neill	.....	83/762
D311,194	S	*	10/1990	Mihic	.....	D15/140
D358,750	S	*	5/1995	Regitko et al.	.....	D8/71
5,522,296	A	*	6/1996	Stoller	.....	83/762
D371,301	S	*	7/1996	Jacoff	.....	D8/71
5,832,913	A		11/1998	Arends		
6,082,723	A		7/2000	Matthews		
D431,767	S	*	10/2000	Jiminez et al.	.....	D8/71

FIG. 1 of the drawings is a perspective view showing the  
front, top, and right side of a multi angle tile saw miter guide  
embodying the design of my invention;  
FIG. 2 is a top plan view of the miter guide;  
FIG. 3 is a front elevation view;  
FIG. 4 is a side elevation view of the right side;  
FIG. 5 is a side elevation view of the left side;  
FIG. 6 is a back elevation view;  
FIG. 7 is a bottom plan view; and,  
FIG. 8 is a top plan view similar to FIG. 2 with the usual  
environment of the miter guide that is not part of my design  
added in phantom lines, showing: the front of the miter  
guide abutting a vertical tile saw fence that is depicted by  
two horizontal phantom lines extending parallel to the front  
of the miter guide; the top of the miter guide supporting a  
piece of tile V cap that is depicted by horizontal phantom  
lines extending inclined to the tile saw fence; and a tile saw  
blade that is depicted by two horizontal phantom lines  
extending perpendicular to the tile saw fence in a position  
the blade occupies after making a miter cut in the piece of  
tile V cap.

**1 Claim, 5 Drawing Sheets**



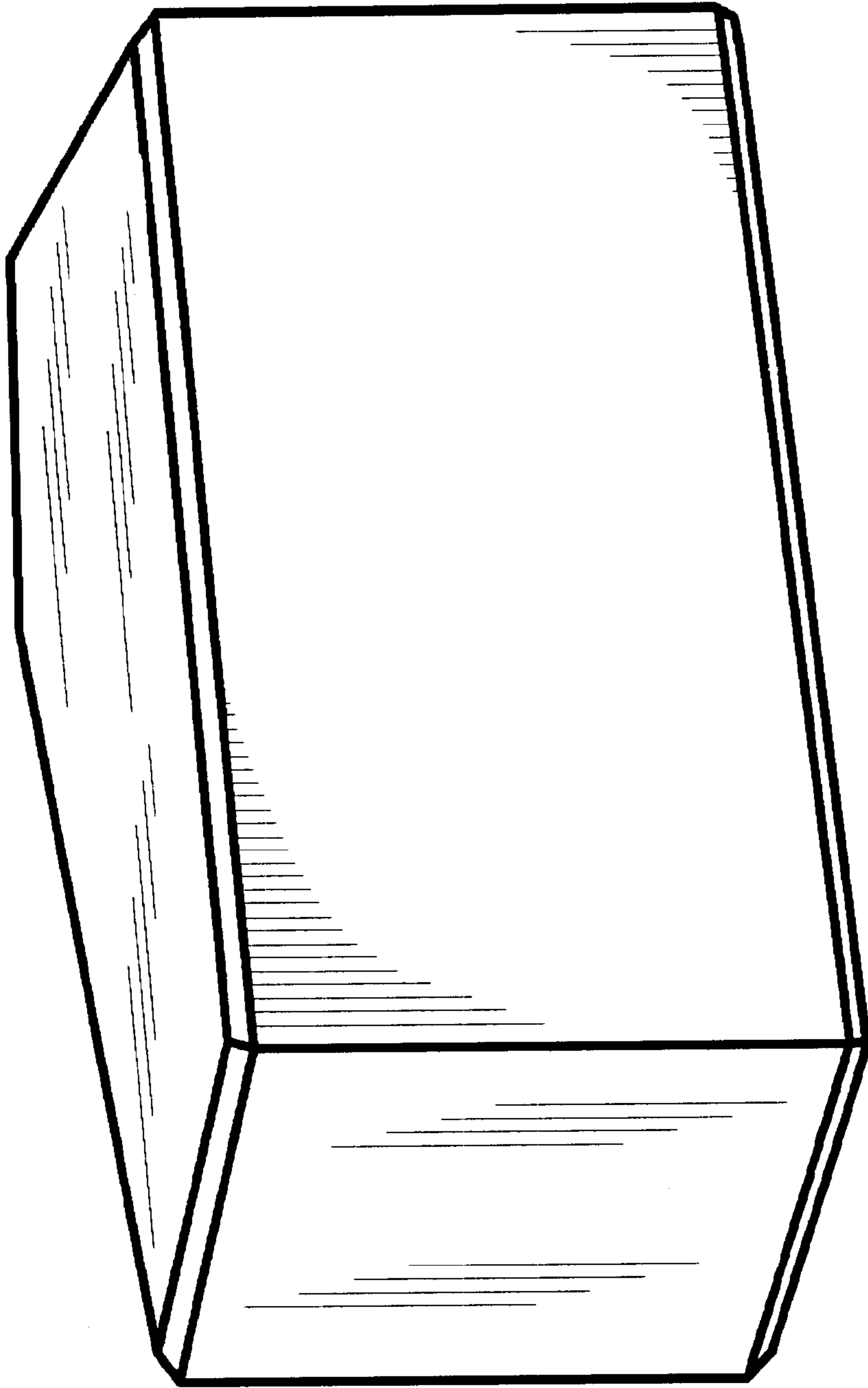


Fig. 1

Fig. 2

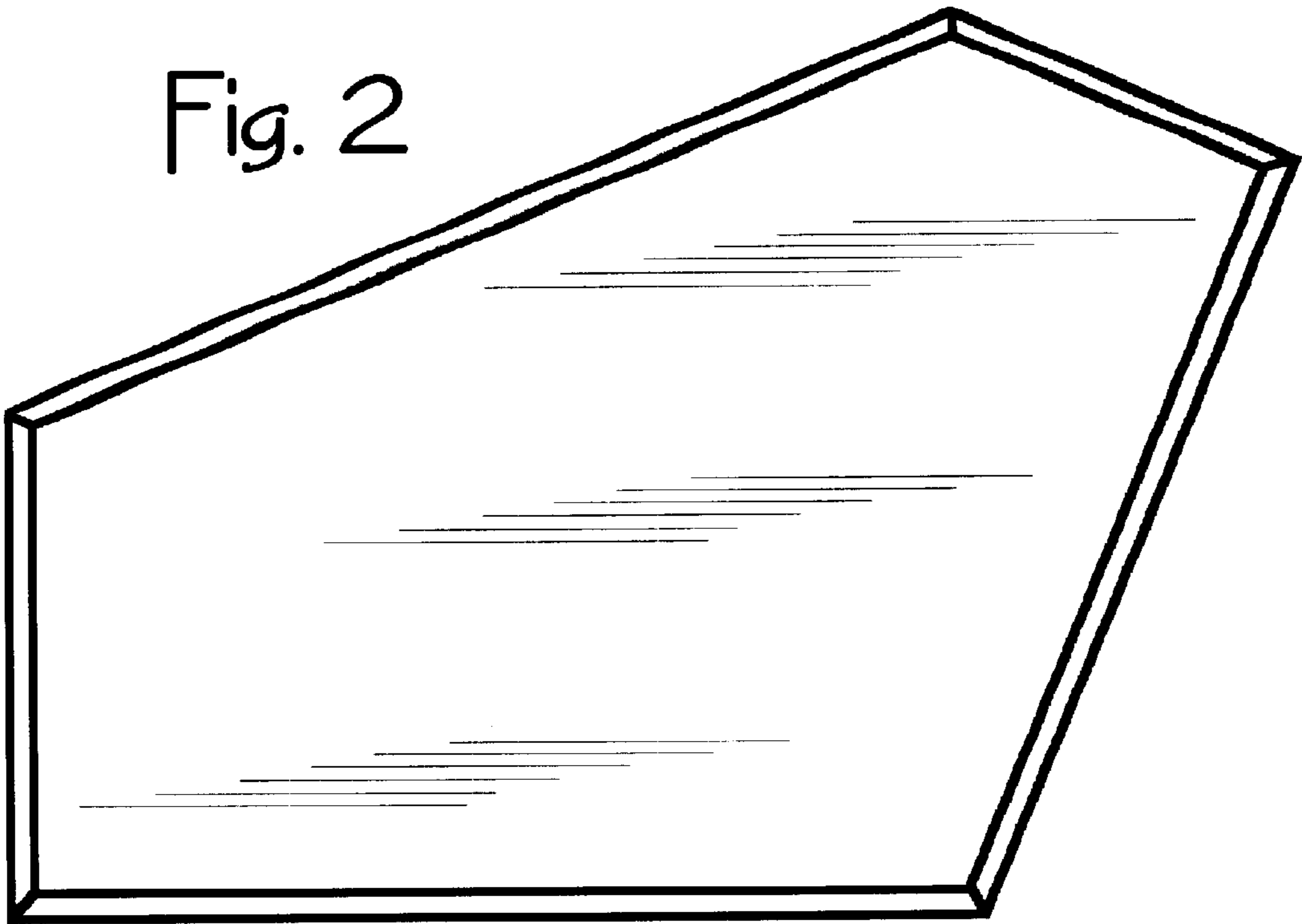


Fig. 3

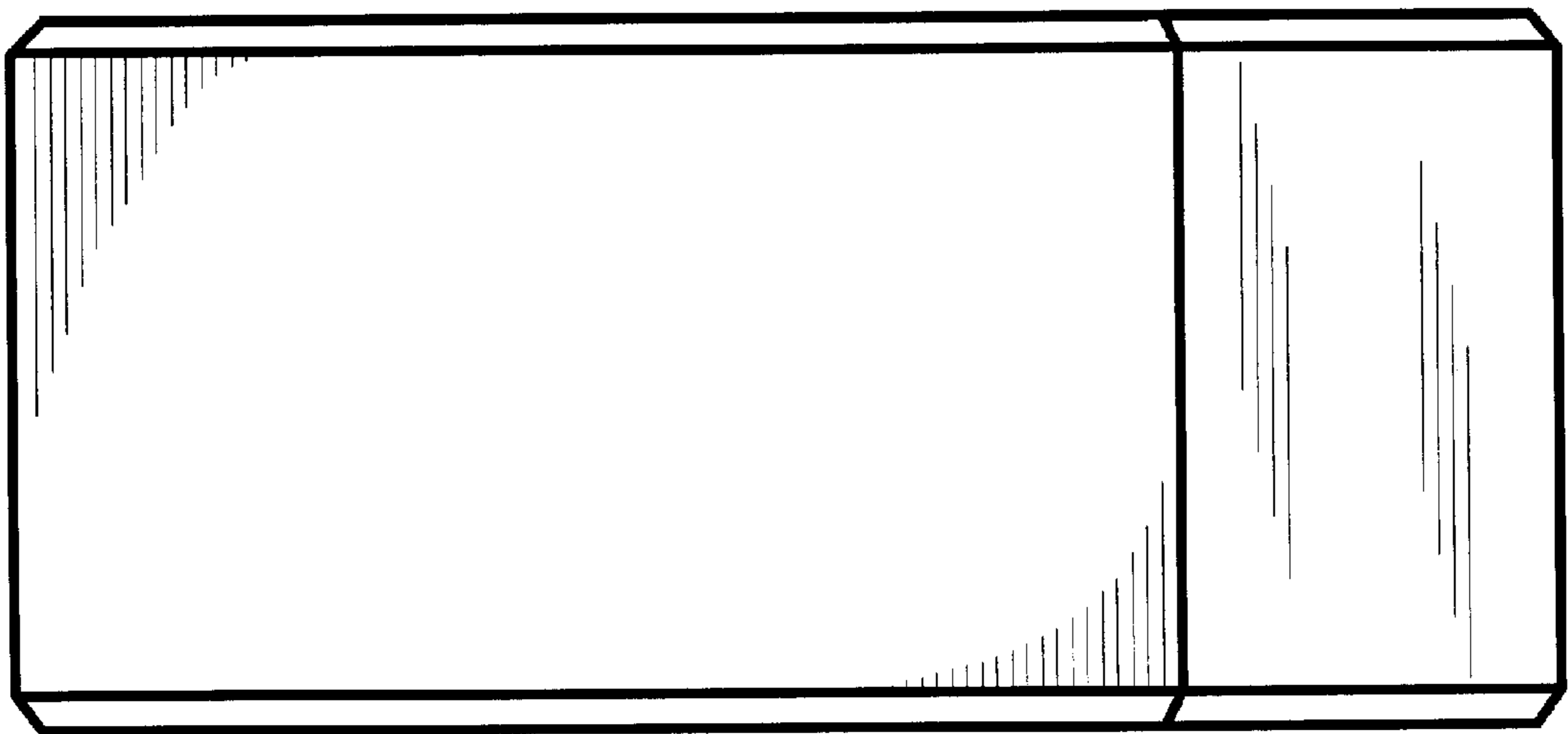


Fig. 4

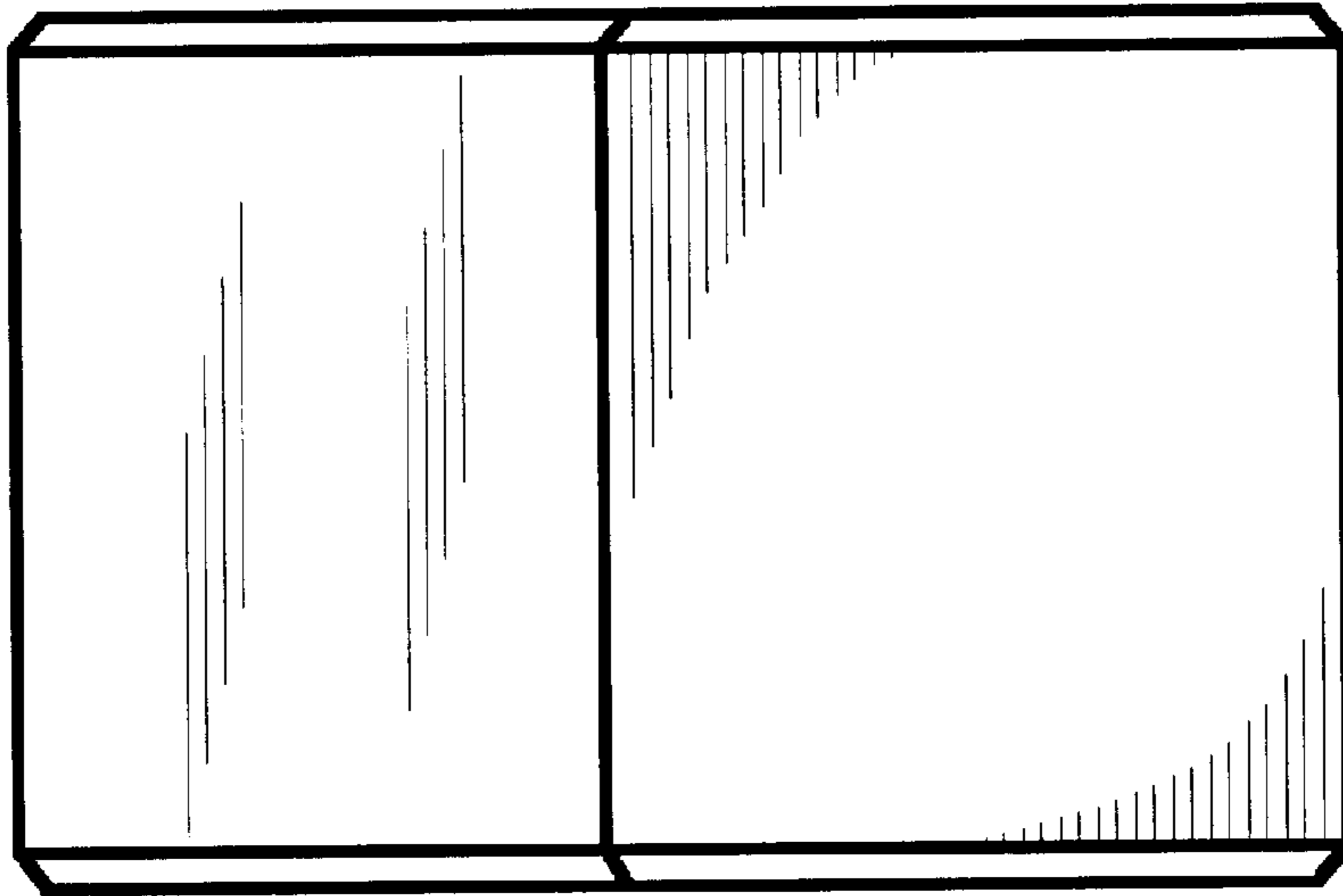


Fig. 5

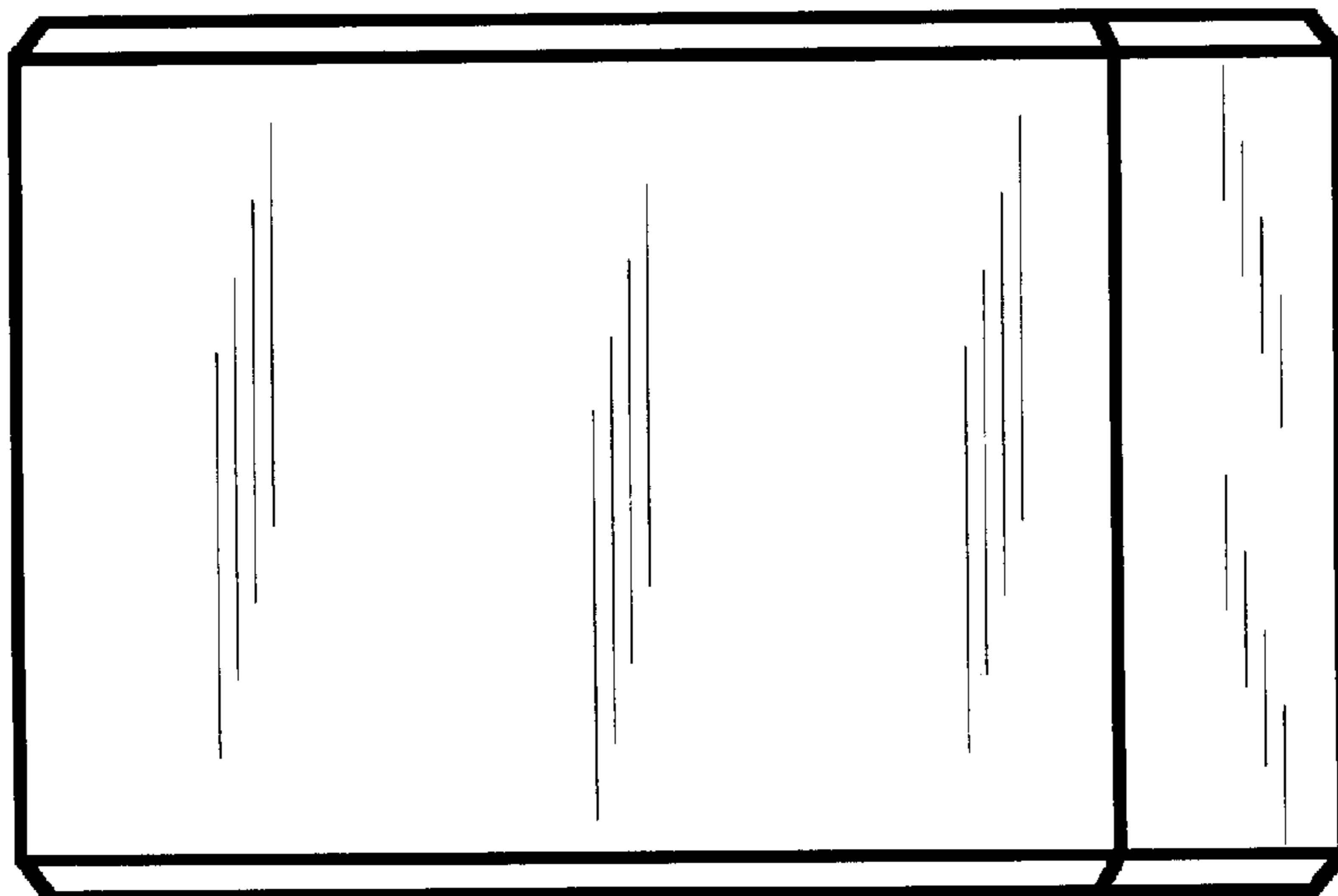


Fig. 6

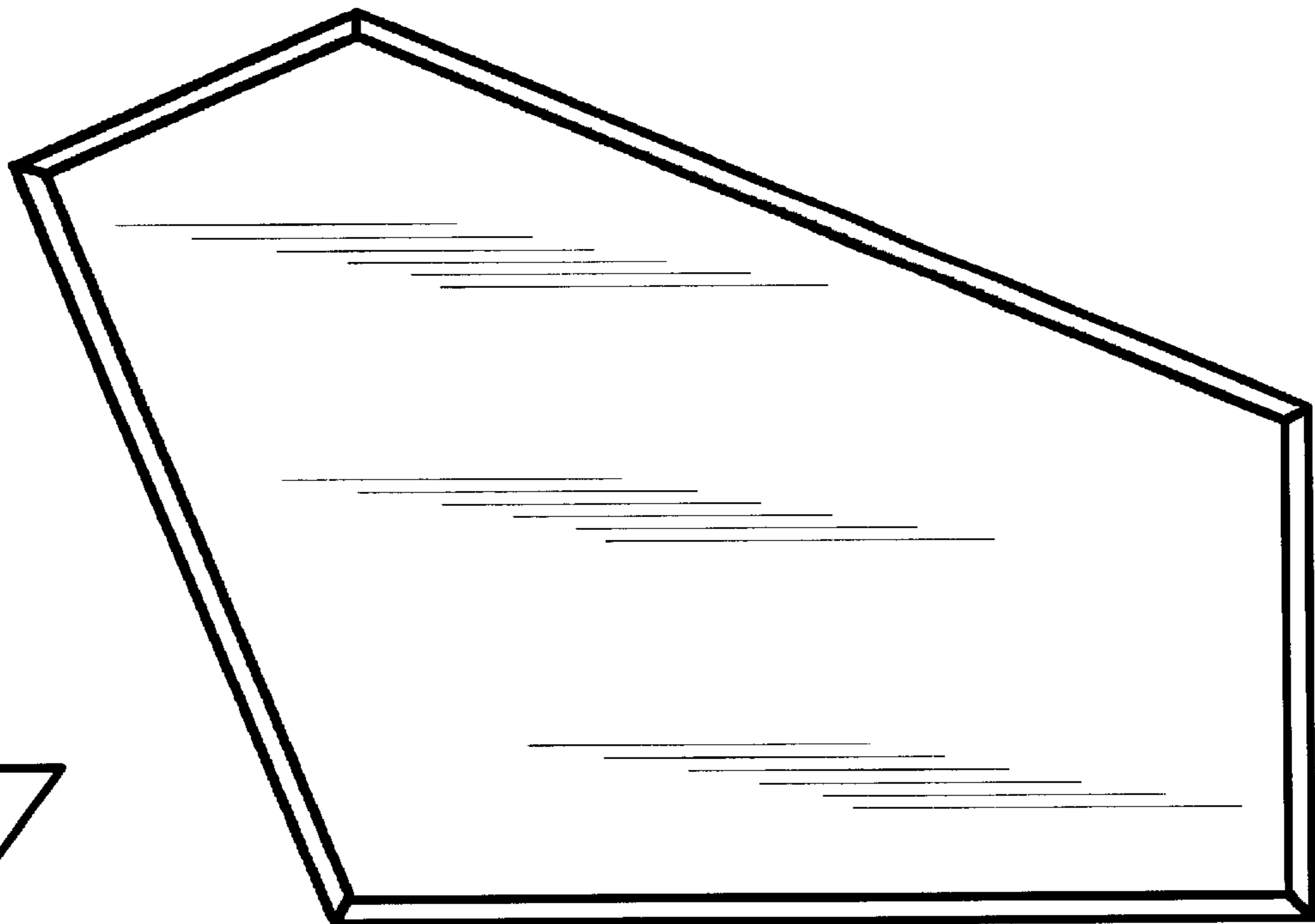
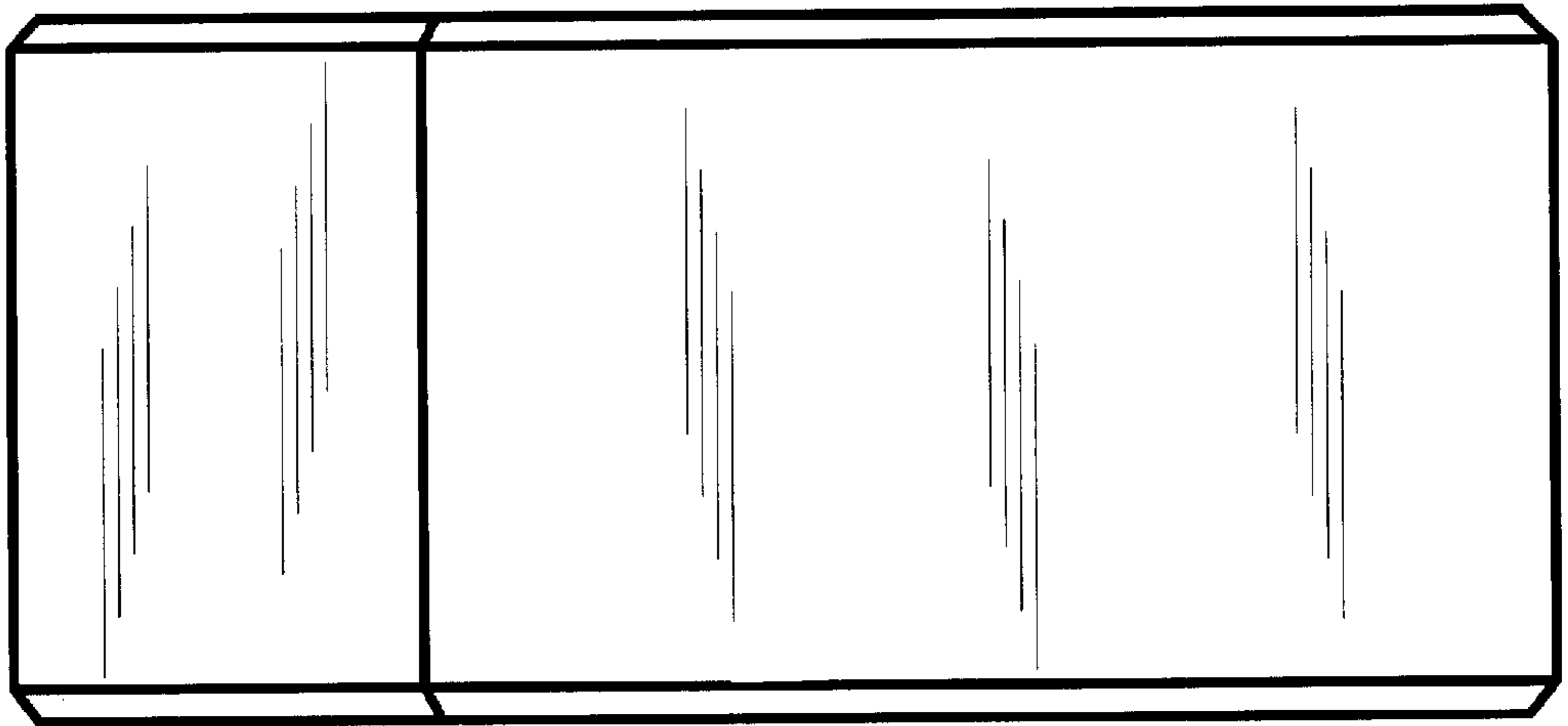


Fig. 7

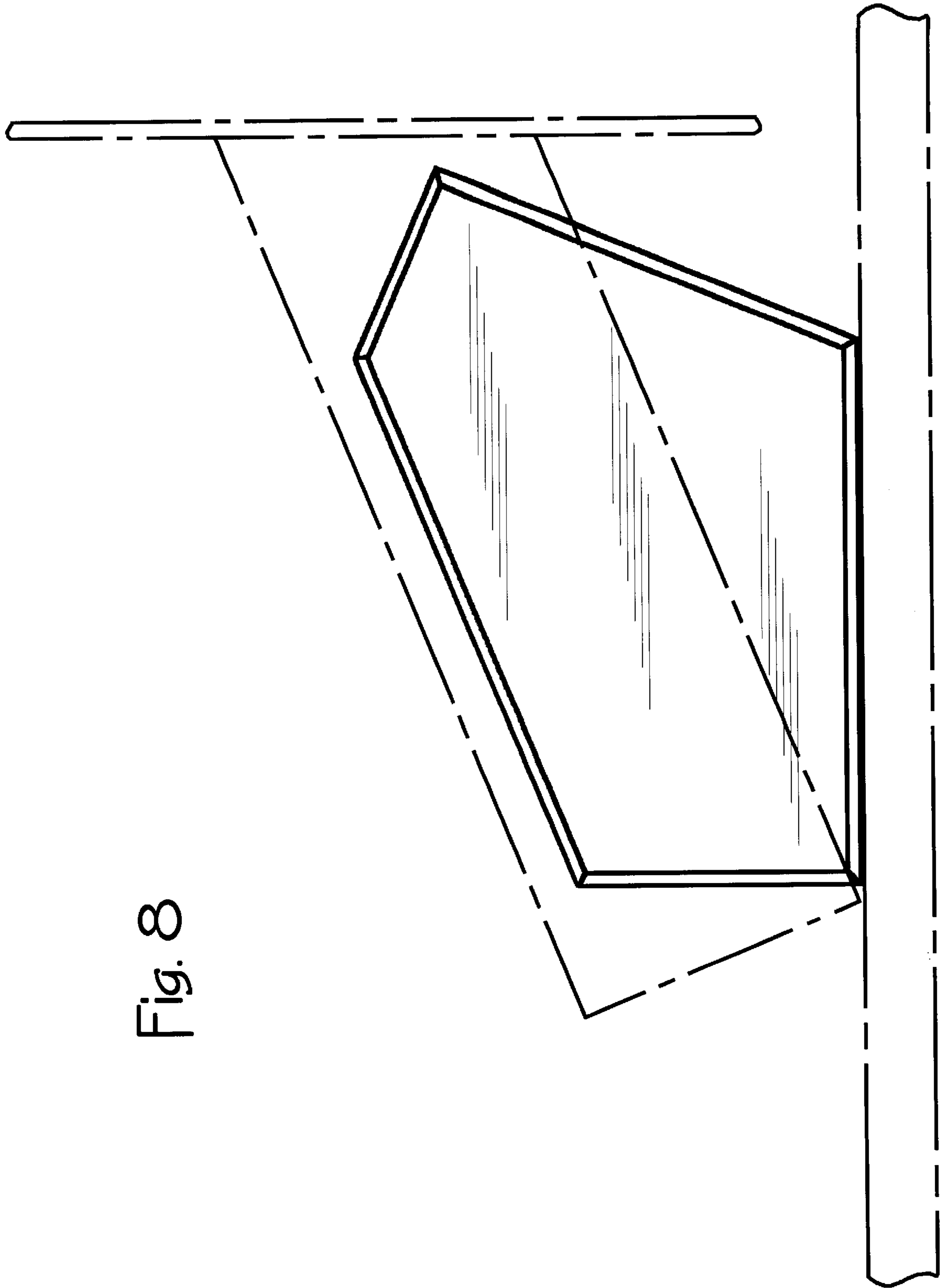


Fig. 8