



US00D481602S

(12) **United States Design Patent**
Hattori

(10) **Patent No.:** **US D481,602 S**

(45) **Date of Patent:** **** Nov. 4, 2003**

(54) **REINFORCEMENT BINDING MACHINE**

FOREIGN PATENT DOCUMENTS

(75) Inventor: **Takeo Hattori**, Tokyo (JP)

JP S-1014898 7/1998

(73) Assignee: **Max Co., Ltd.**, Tokyo (JP)

* cited by examiner

(**) Term: **14 Years**

Primary Examiner—Doris V. Coles

Assistant Examiner—T. Chase Nelson

(21) Appl. No.: **29/167,647**

(74) *Attorney, Agent, or Firm*—Morgan, Lewis & Bockius LLP

(22) Filed: **Sep. 19, 2002**

(57) **CLAIM**

(30) **Foreign Application Priority Data**

The ornamental design for a reinforcement binding machine, as shown and described.

Mar. 20, 2002 (JP) 2002-007432

(51) **LOC (7) Cl.** **08-05**

DESCRIPTION

(52) **U.S. Cl.** **D8/68; D8/69**

FIG. 1 is a perspective view of front, top plan and left side of a reinforcement binding machine showing my new design;

(58) **Field of Search** D8/61, 62, 63, D8/64, 65, 66, 67, 68, 69, 70; 81/57.11, 429, 464, 465, 466, 469, 489; 173/13, 169, 178, 213, 217; 227/8, 114, 120, 130, 136, 142; 310/50; 408/20, 124, 125, 234, 241 R; 451/358; 140/119

FIG. 2 is a front view thereof;

FIG. 3 is a rear view thereof;

FIG. 4 is a top plan view thereof;

FIG. 5 is a bottom view thereof;

FIG. 6 is a right side view thereof;

FIG. 7 is a left side view thereof; and,

FIG. 8 is a perspective view of the reinforcement binding machine of FIG. 1 showing the condition of the wire bobbin case being opened. The broken line showing of environmental structure is for illustrative purposes only and forms no part of the claimed design.

(56) **References Cited**

U.S. PATENT DOCUMENTS

D352,438 S * 11/1994 Hattori D8/68
D403,937 S * 1/1999 Hattori D8/68
D404,627 S * 1/1999 Hirabayashi D8/68
5,871,036 A * 2/1999 Murayama et al. 140/119
5,956,989 A * 9/1999 Kusakari 140/119
6,401,766 B1 * 6/2002 Ishikawa et al. 140/119

1 Claim, 6 Drawing Sheets

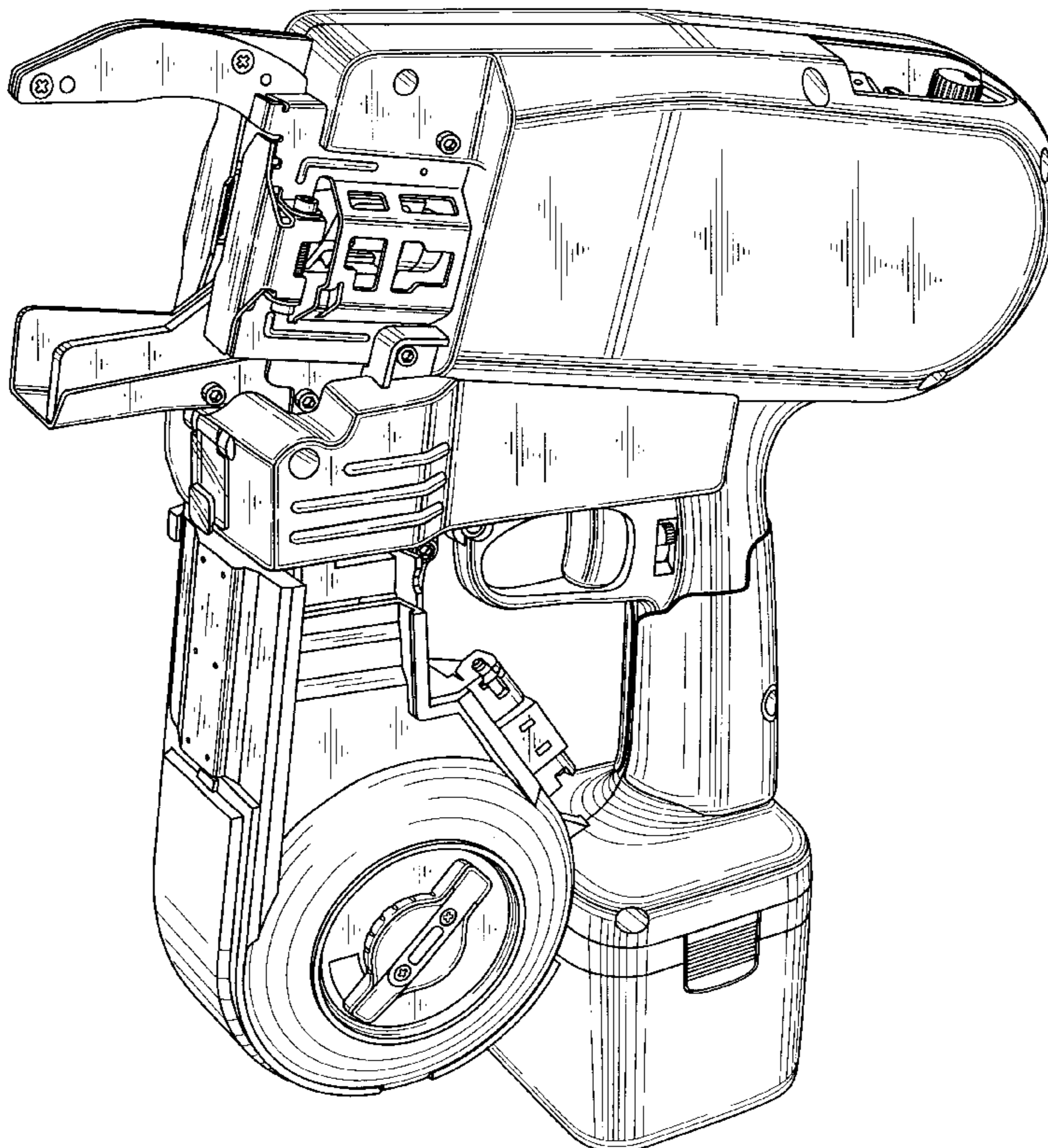


FIG. 1

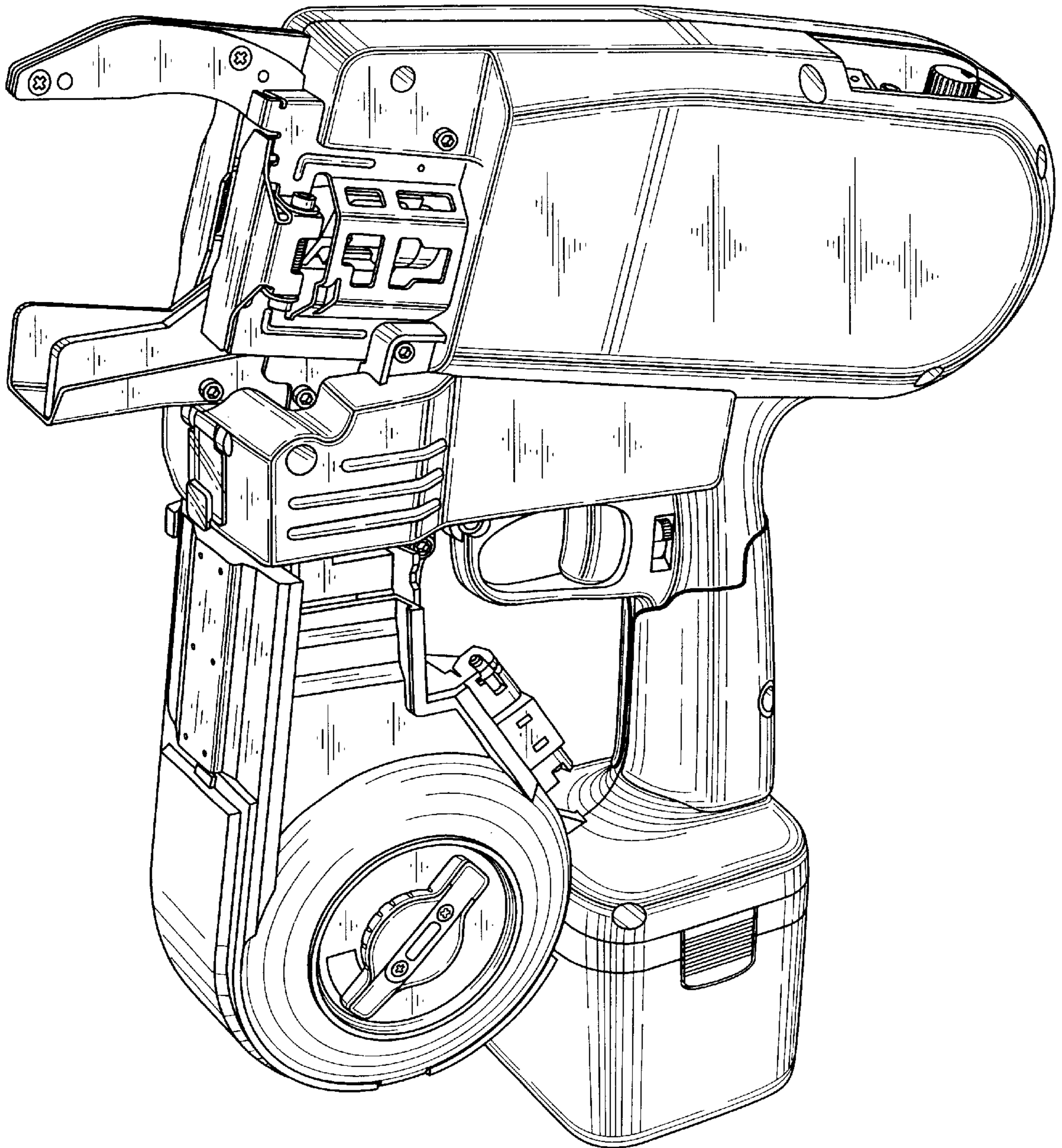


FIG. 2

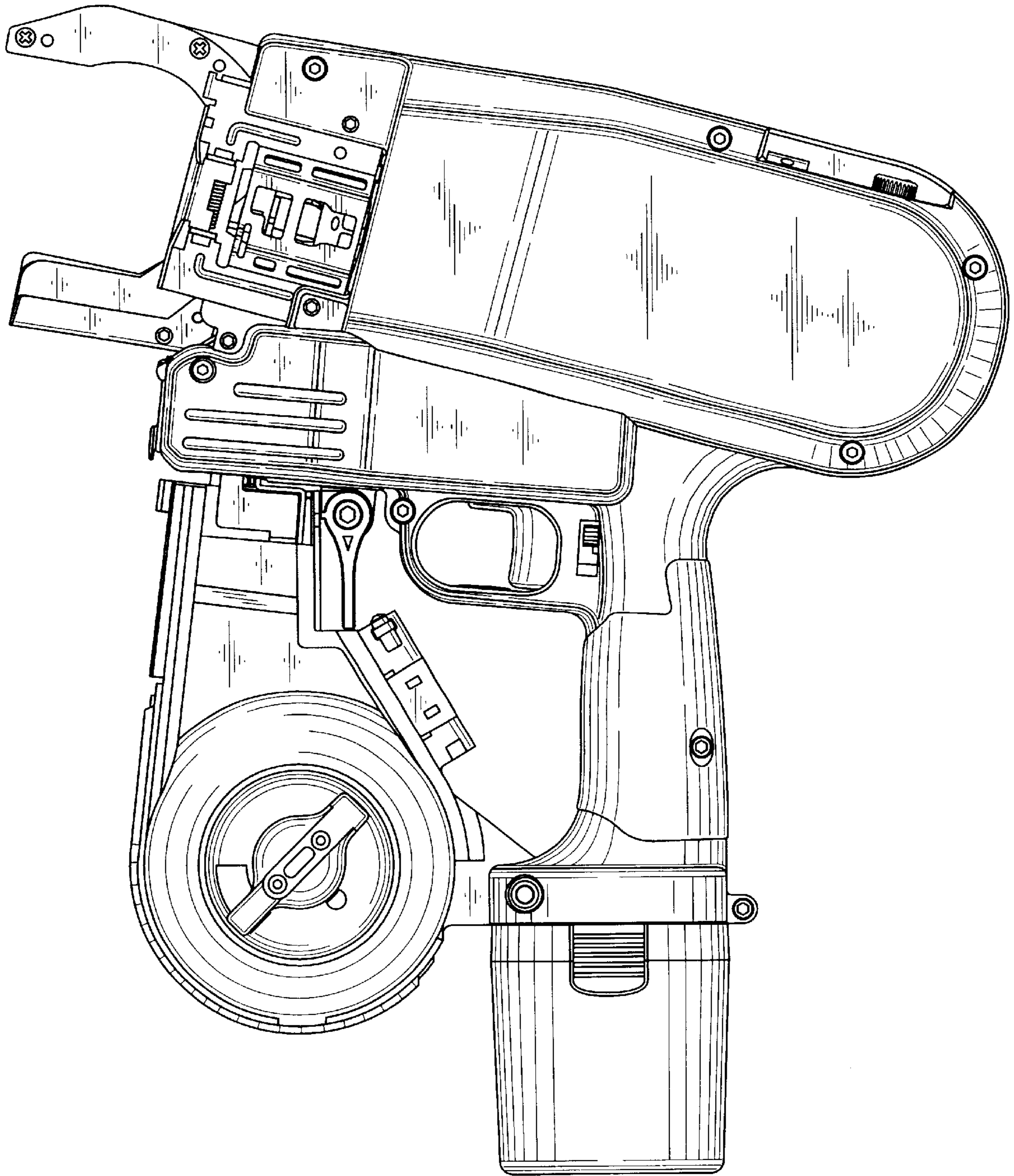


FIG. 3

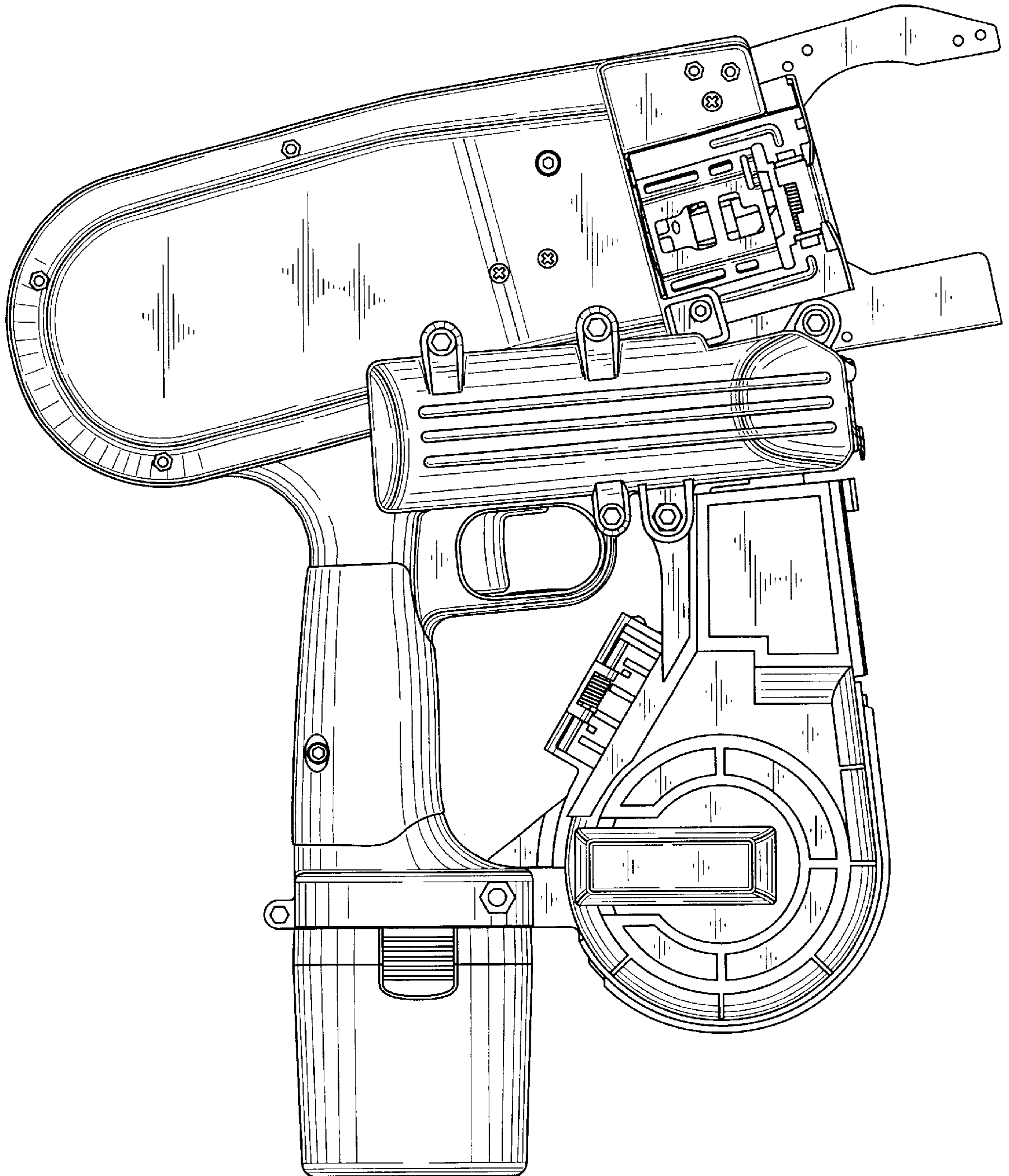


FIG. 4

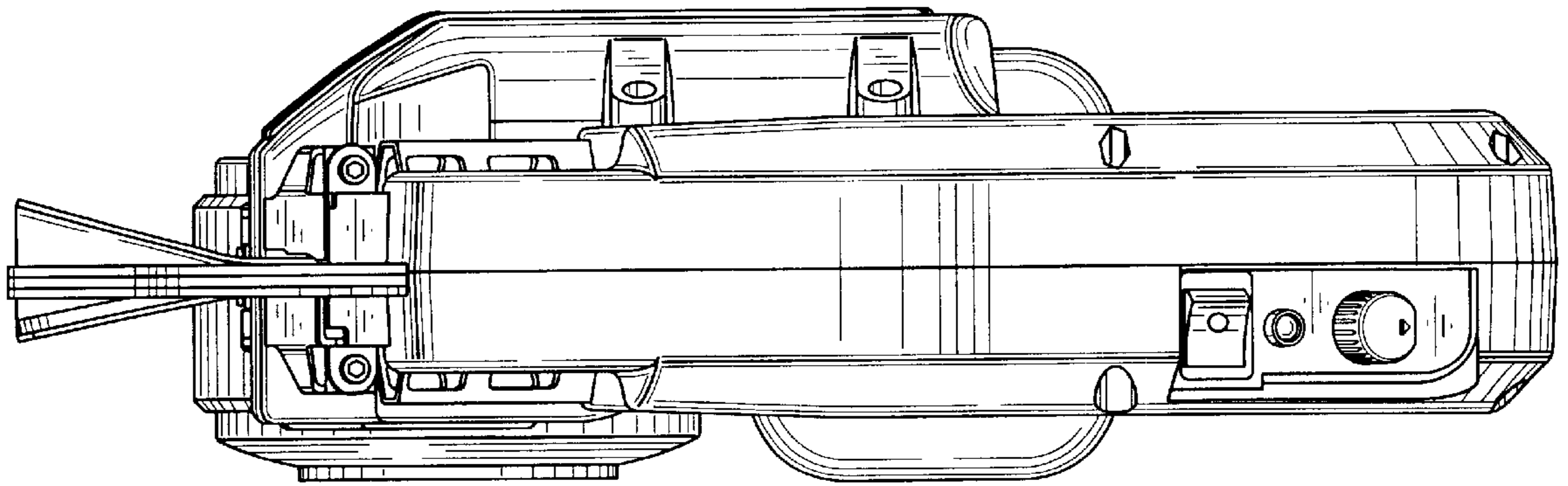


FIG. 5

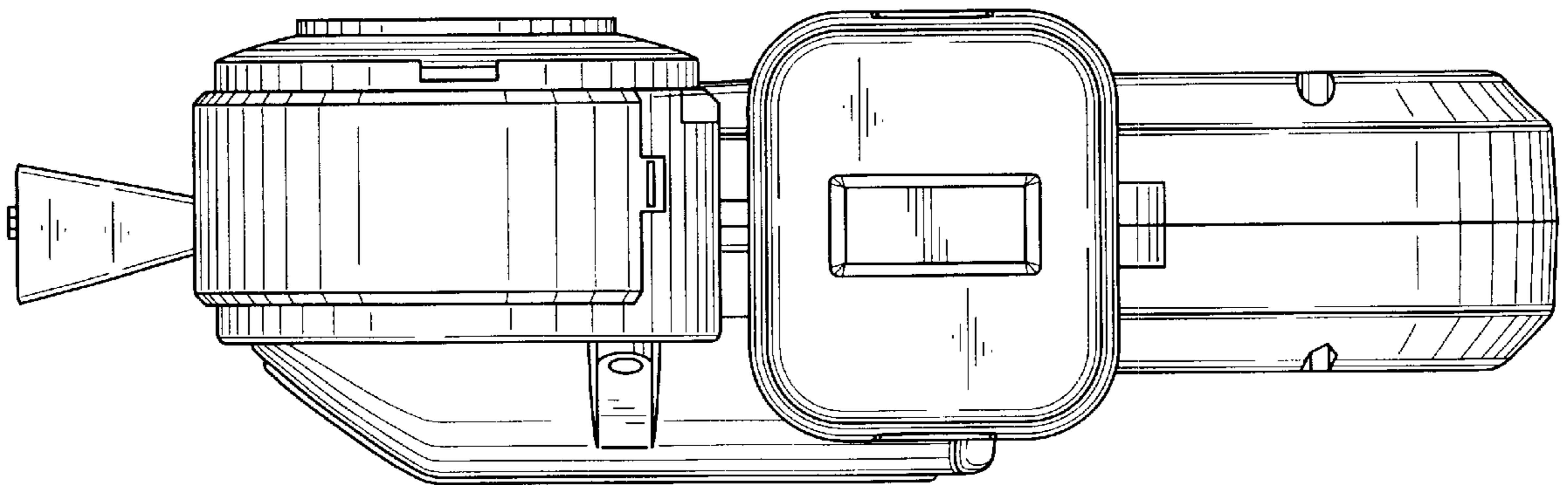


FIG. 6

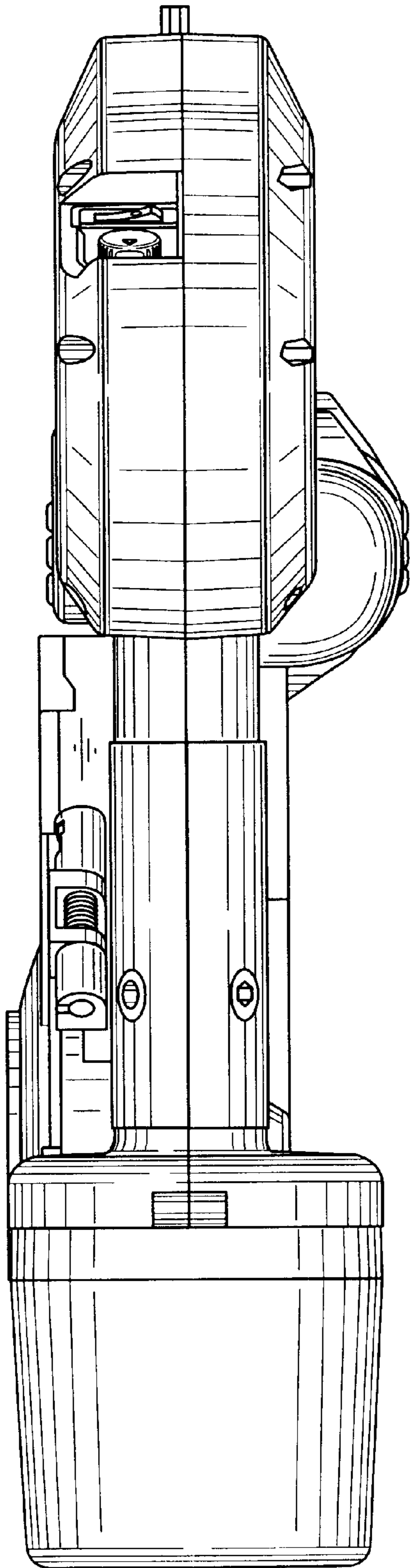


FIG. 7

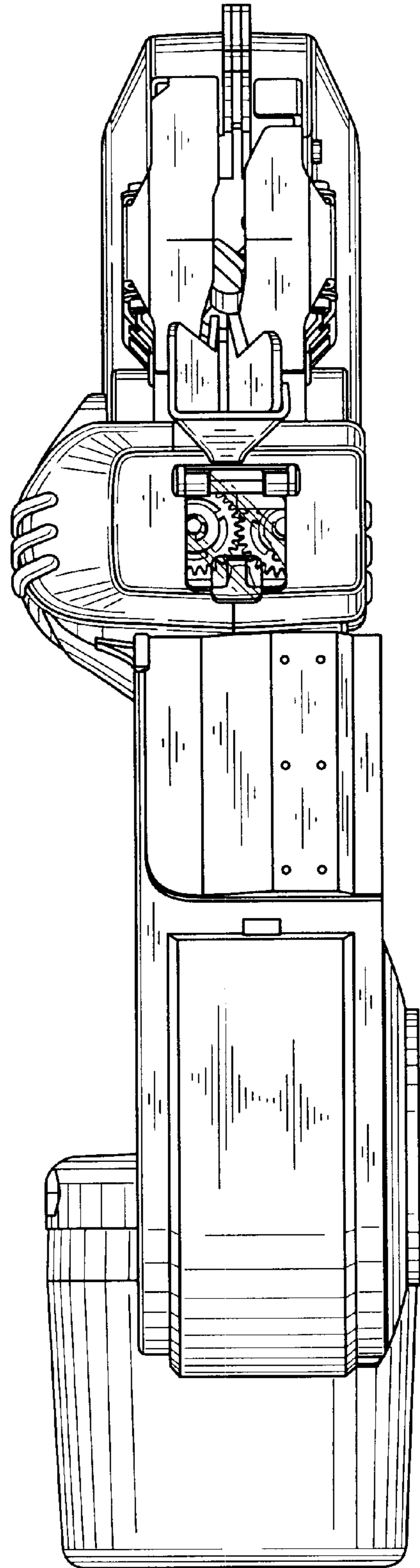


FIG. 8

