



US00D481601S

(12) **United States Design Patent**
Ashfield

(10) **Patent No.:** **US D481,601 S**

(45) **Date of Patent:** **** Nov. 4, 2003**

(54) **CHAIN SAW**

(75) **Inventor:** **Lea Antony Ashfield, Hong Kong (HK)**

(73) **Assignee:** **Homelite Technologies, Ltd., Hamilton (BM)**

(**) **Term:** **14 Years**

(21) **Appl. No.:** **29/171,289**

(22) **Filed:** **Nov. 19, 2002**

(51) **LOC (7) Cl.** **08-03**

(52) **U.S. Cl.** **D8/65**

(58) **Field of Search** D8/61, 64, 65,
D8/66, 67, 69; 30/166.3, 374, 375, 376,
377, 388, 390, 391, 392, 393, 394, 397,
381, 382, 383, 386, 387; 83/397, 699.21;
409/180, 181, 182

(56) **References Cited**

U.S. PATENT DOCUMENTS

D223,600 S	5/1972	Averitt	D8/65
D230,006 S	1/1974	Guthrie et al.	D8/65
D233,725 S	11/1974	Guthrie et al.	D8/65
D237,352 S	10/1975	Shymkus	D8/65
4,193,193 A	3/1980	Holzworth	30/382
D255,770 S	7/1980	Asamoto	D8/65
4,365,416 A	12/1982	Overbury	30/382
4,389,779 A	6/1983	Overbury et al.	30/382
D272,310 S	1/1984	Dynie et al.	D8/65
D273,456 S	4/1984	McDougall et al.	D8/65
D288,896 S	3/1987	Yamamoto et al.	D8/65
4,680,862 A *	7/1987	Wieland et al.	30/381
D301,961 S	7/1989	Narisue et al.	D8/8
D309,087 S	7/1990	Yamamoto et al.	D8/65
D313,538 S	1/1991	Fushiya et al.	D8/8
D325,330 S	4/1992	Barnhill	D8/65
D325,859 S	5/1992	Yokota et al.	D8/65

5,184,403 A *	2/1993	Schliemann	30/382
D333,953 S	3/1993	Miyoshi et al.	D8/8
5,245,757 A *	9/1993	Weissert et al.	30/383
D350,680 S	9/1994	Berfield et al.	D8/65
D381,249 S *	7/1997	Hubbe	D8/65
D382,451 S	8/1997	Kikuchi	D8/8
D385,766 S	11/1997	Kondo et al.	D8/65
5,685,080 A	11/1997	Amano et al.	30/383
D389,026 S	1/1998	Amano et al.	D8/65
D408,246 S	4/1999	Juratovac et al.	D8/65
D408,247 S	4/1999	Juratovac et al.	D8/65
D408,700 S	4/1999	Juratovac et al.	D8/65
6,016,604 A *	1/2000	Wolf et al.	30/383
D434,620 S	12/2000	Martin	D8/8
D445,657 S	7/2001	Jong	D8/65
D460,329 S	7/2002	Waldron	D8/9
D460,667 S	7/2002	Waldron	D8/8

* cited by examiner

Primary Examiner—Doris V. Coles

Assistant Examiner—Elizabeth A. Albert

(74) *Attorney, Agent, or Firm*—Harrington & Smith, LLP

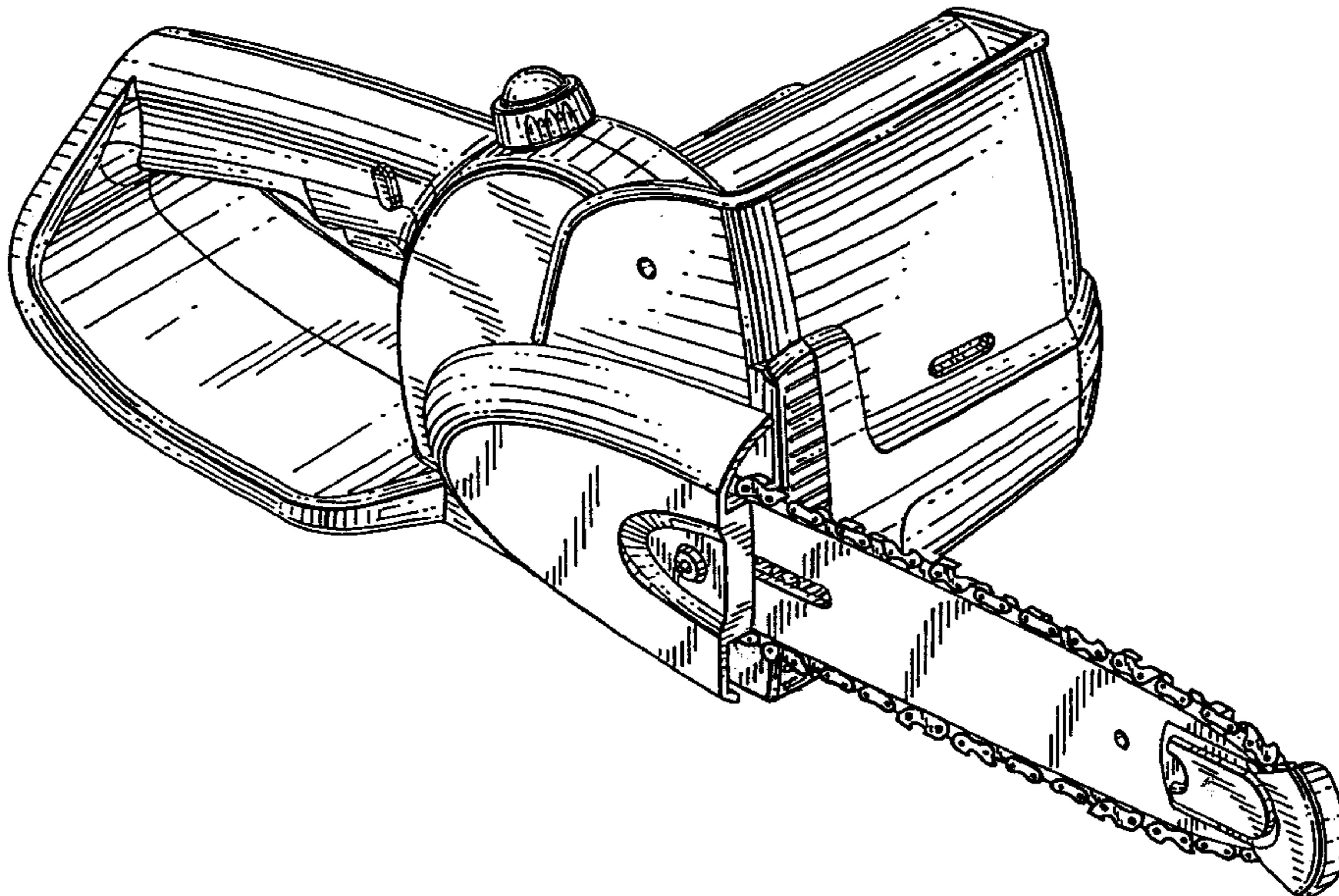
(57) **CLAIM**

I claim the ornamental design for a chain saw, as shown and described.

DESCRIPTION

FIG. 1 is a perspective view of a top, front and left side of the chain saw incorporating my new design;
FIG. 2 is a perspective view of the top, rear and right side thereof;
FIG. 3 is a top plan view thereof;
FIG. 4 is a left side elevational view thereof;
FIG. 5 is a front elevational view thereof;
FIG. 6 is a rear elevational view thereof;
FIG. 7 is a right side elevational view thereof; and,
FIG. 8 is a bottom plan view thereof.

1 Claim, 7 Drawing Sheets



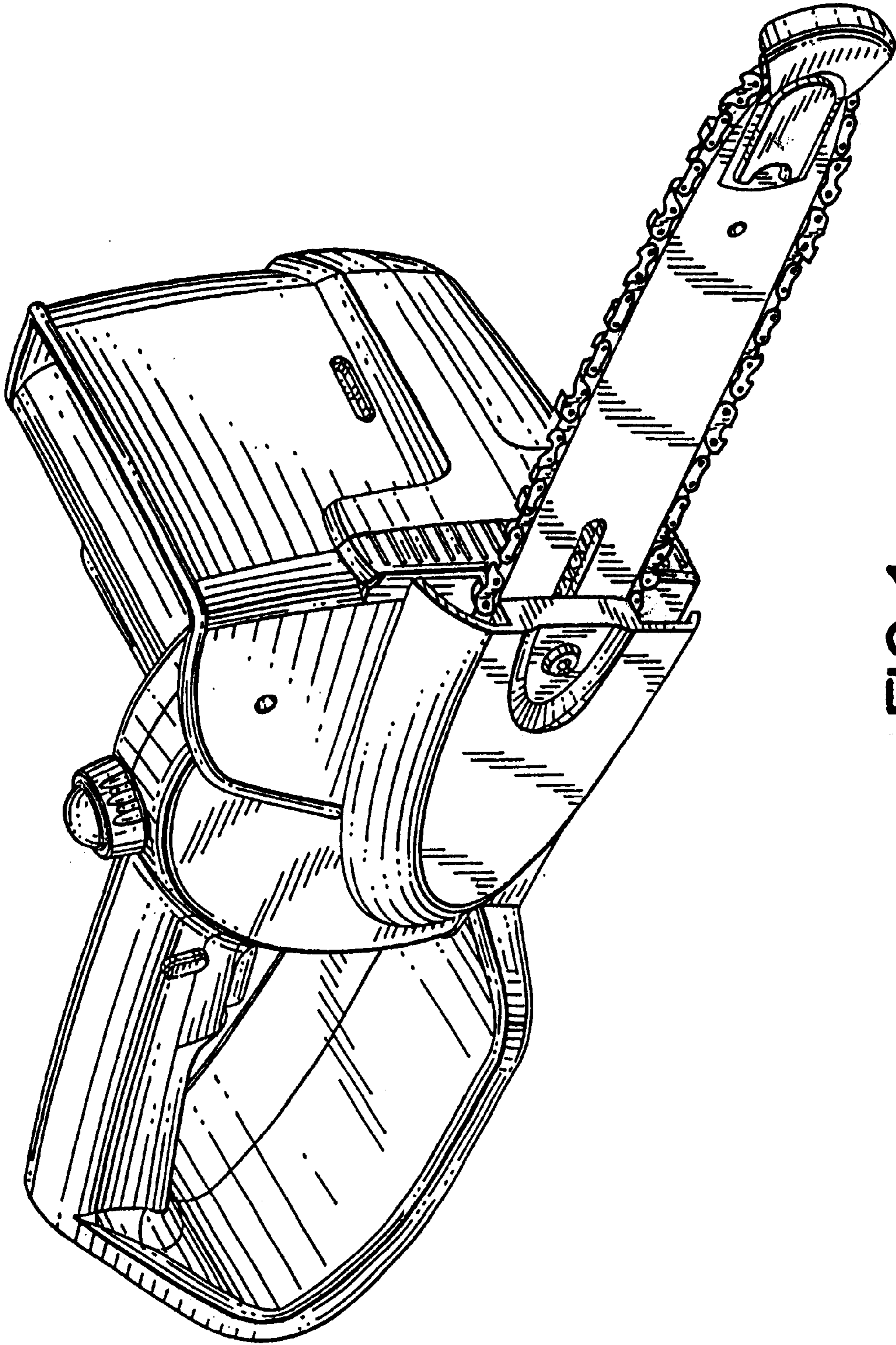


FIG. 1

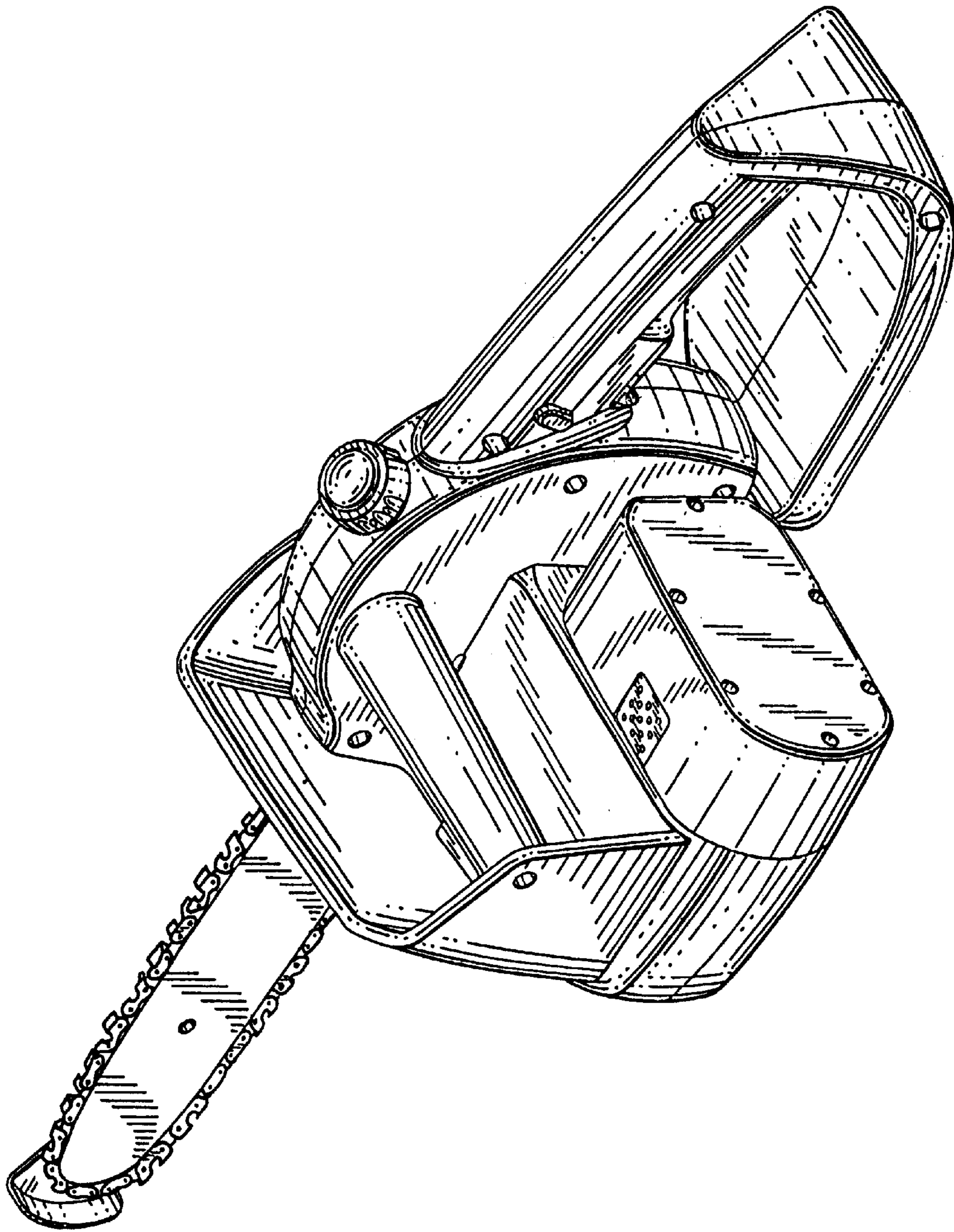


FIG.2

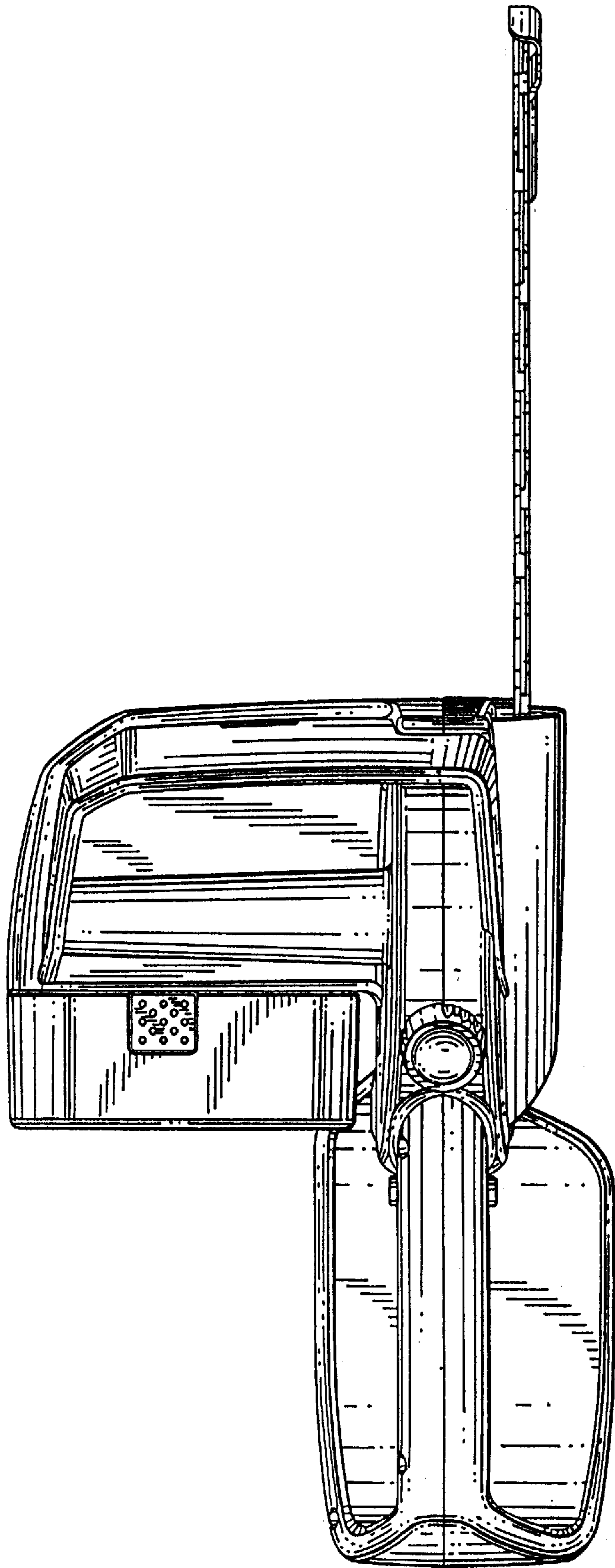


FIG.3

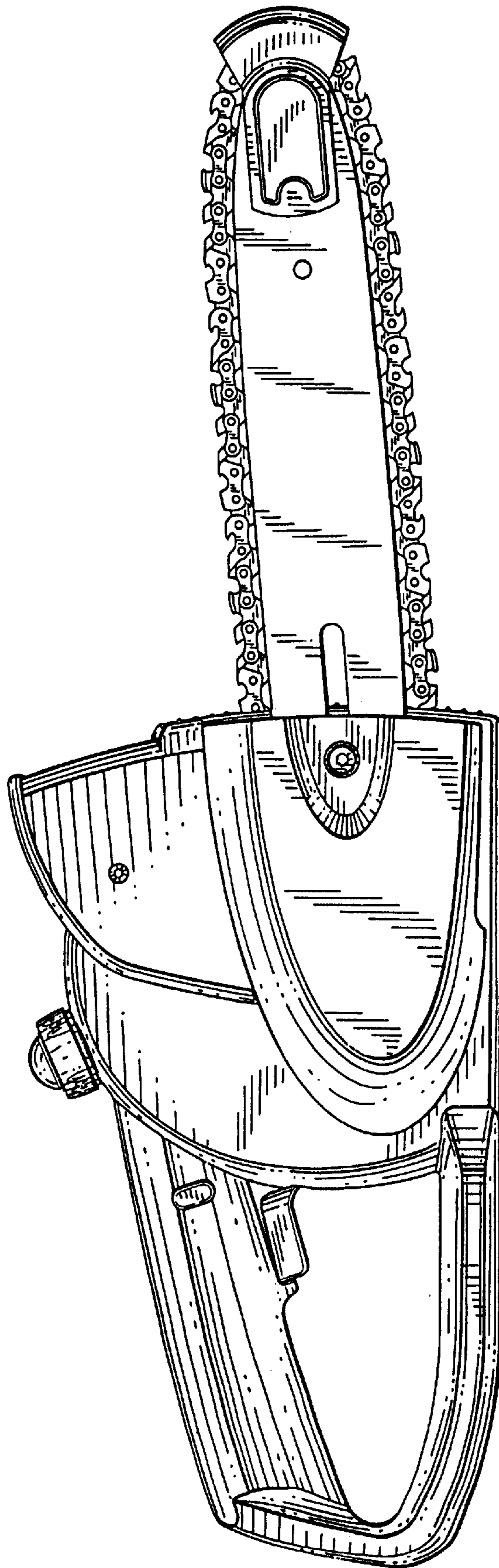


FIG.4

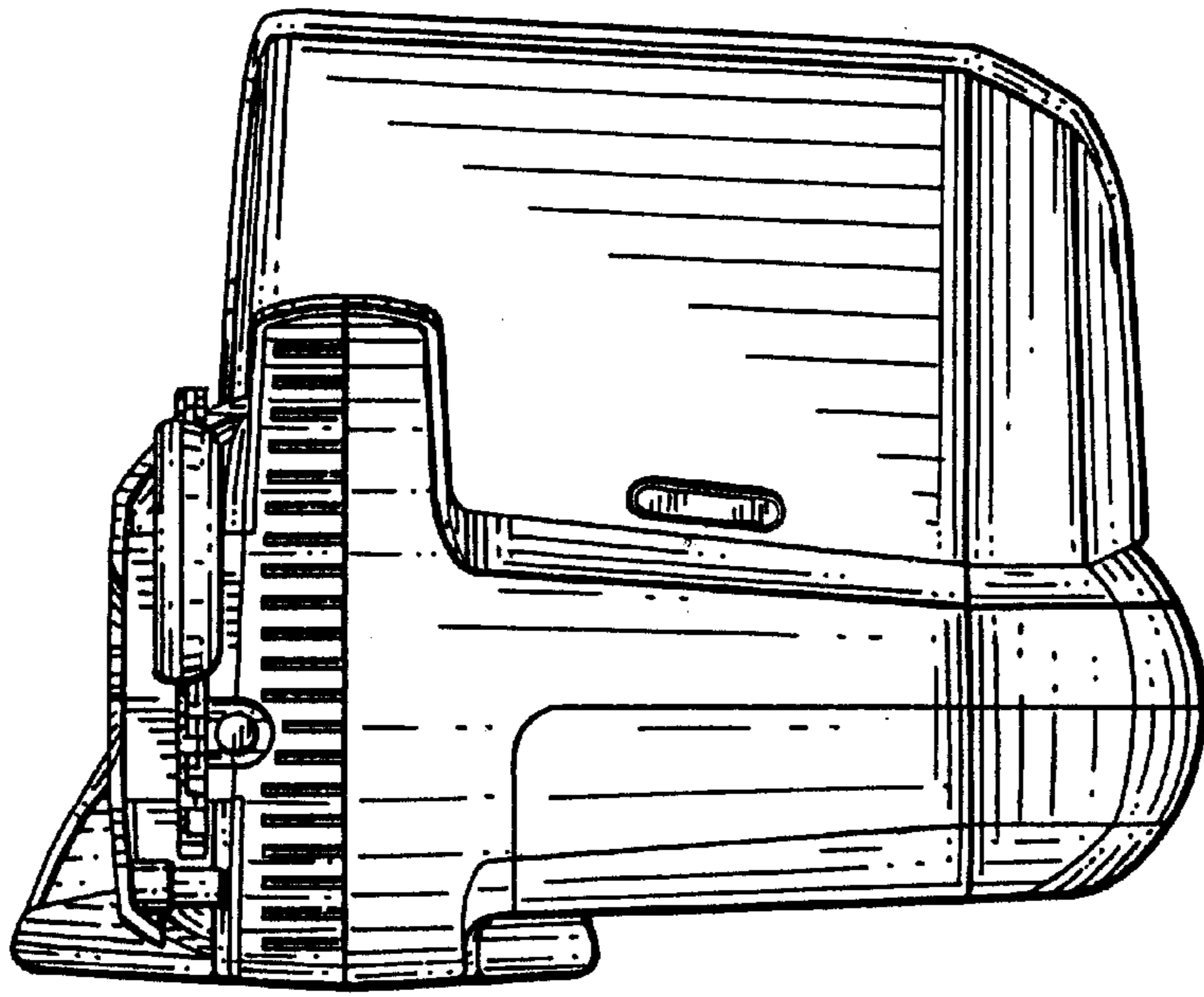


FIG. 5

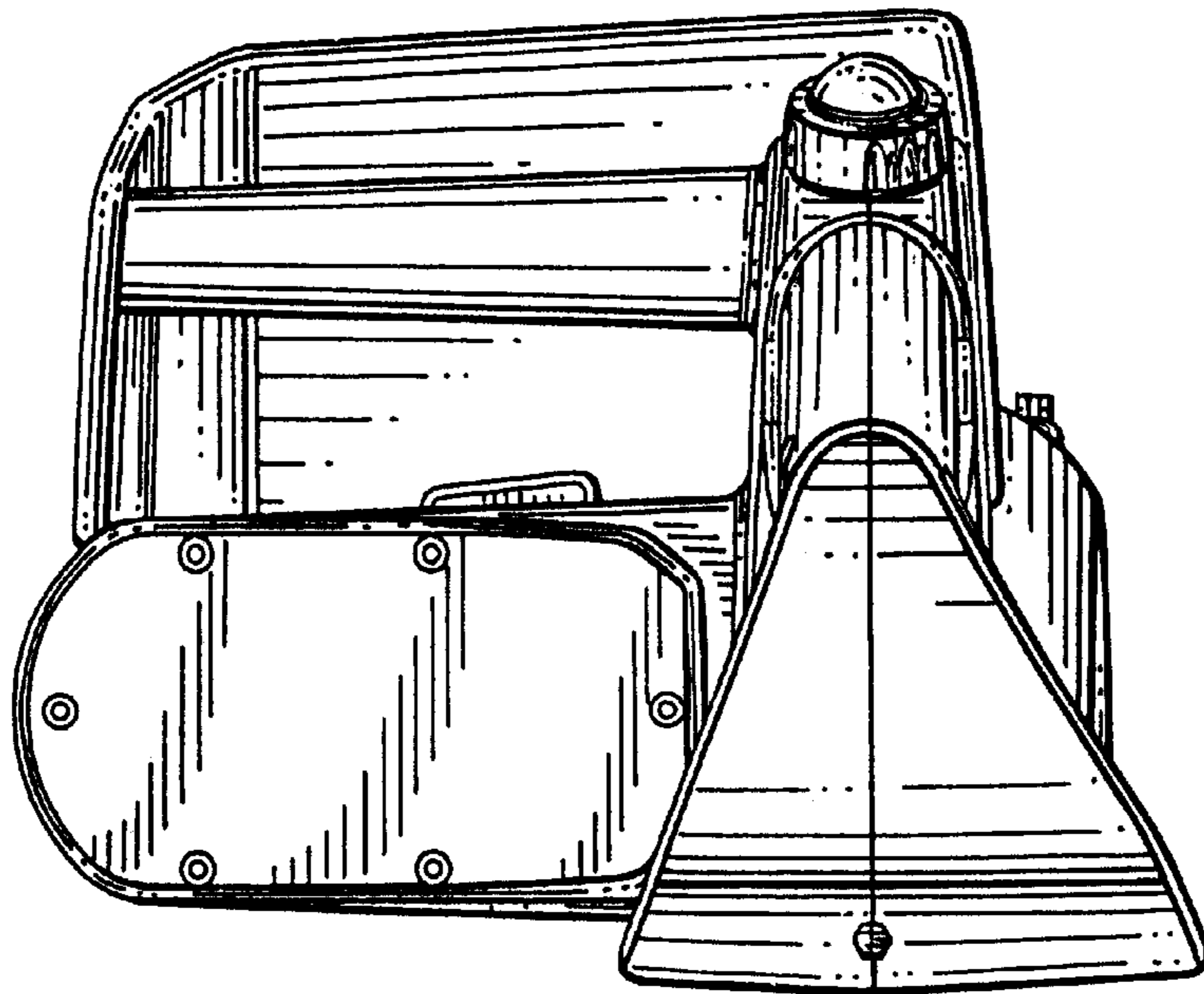


FIG. 6

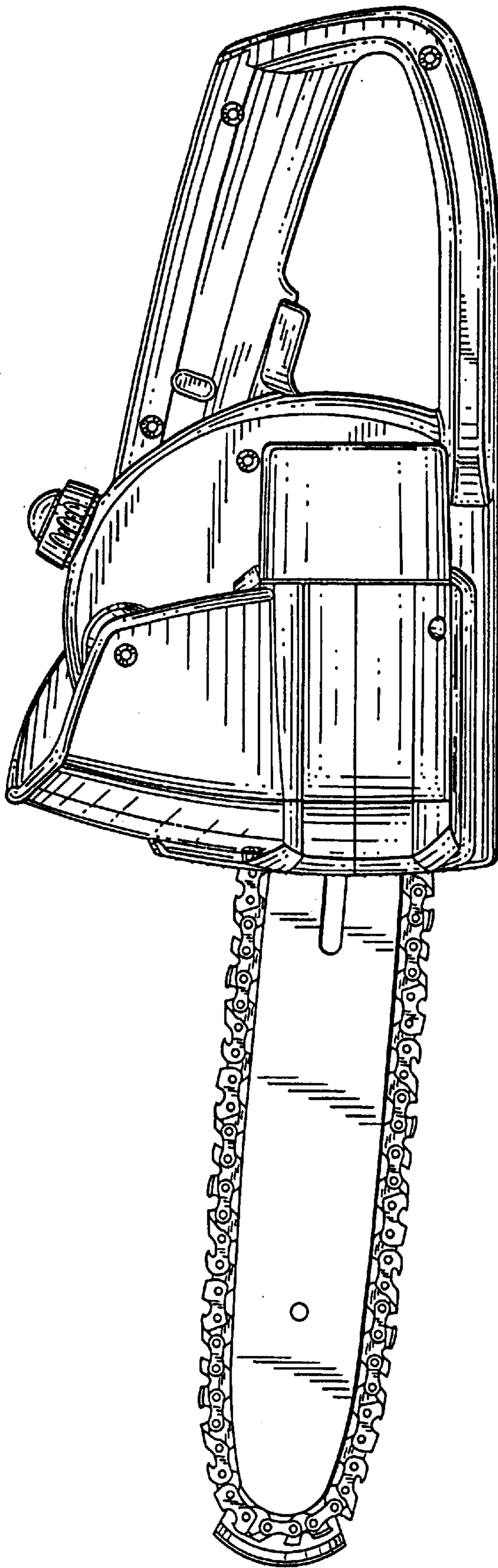


FIG.7

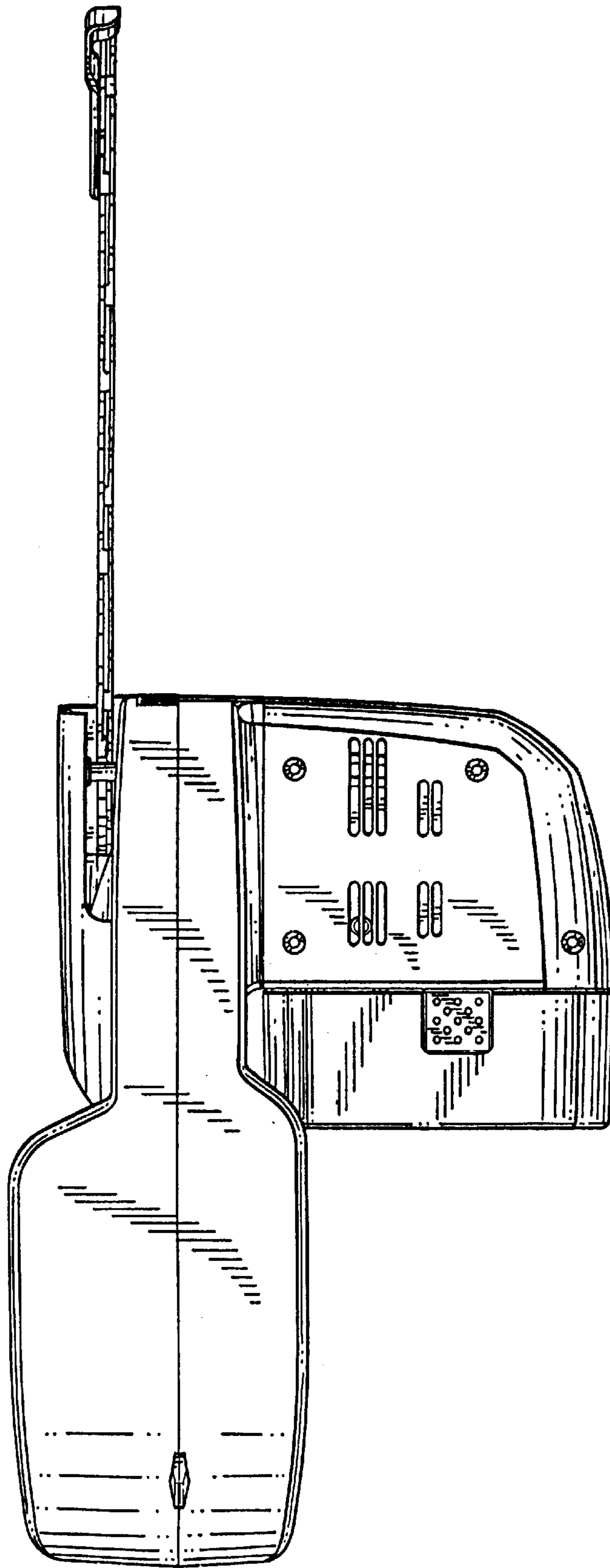


FIG.8