



US00D481599S

(12) **United States Design Patent**
Yu

(10) **Patent No.:** **US D481,599 S**

(45) **Date of Patent:** **** Nov. 4, 2003**

(54) **DESKTOP CORKSCREW**

(75) Inventor: **Kwok Leung Yu, Kwai Chung (HK)**

(73) Assignee: **Ko Fung Products Industrial Limited,
New Territories (HK)**

(**) Term: **14 Years**

(21) Appl. No.: **29/170,663**

(22) Filed: **Nov. 12, 2002**

(51) **LOC (7) Cl.** **07-99**

(52) **U.S. Cl.** **D8/39**

(58) **Field of Search** **D8/33-43; 7/151-156;
30/400-450; 81/3.07-3.49**

(56) **References Cited**

U.S. PATENT DOCUMENTS

D408,697 S * 4/1999 de Bergen D6/42

D442,043 S * 5/2001 Kao D8/39

* cited by examiner

Primary Examiner—Caron D. Veynar

(74) *Attorney, Agent, or Firm*—Rabin & Berdo, P.C.

(57) **CLAIM**

The ornamental design for a desktop corkscrew, as shown and described.

DESCRIPTION

FIG. 1 is a front view of a desktop corkscrew showing my new design;

FIG. 2 is a rear view thereof;

FIG. 3 is a right side view thereof;

FIG. 4 is a left side view thereof;

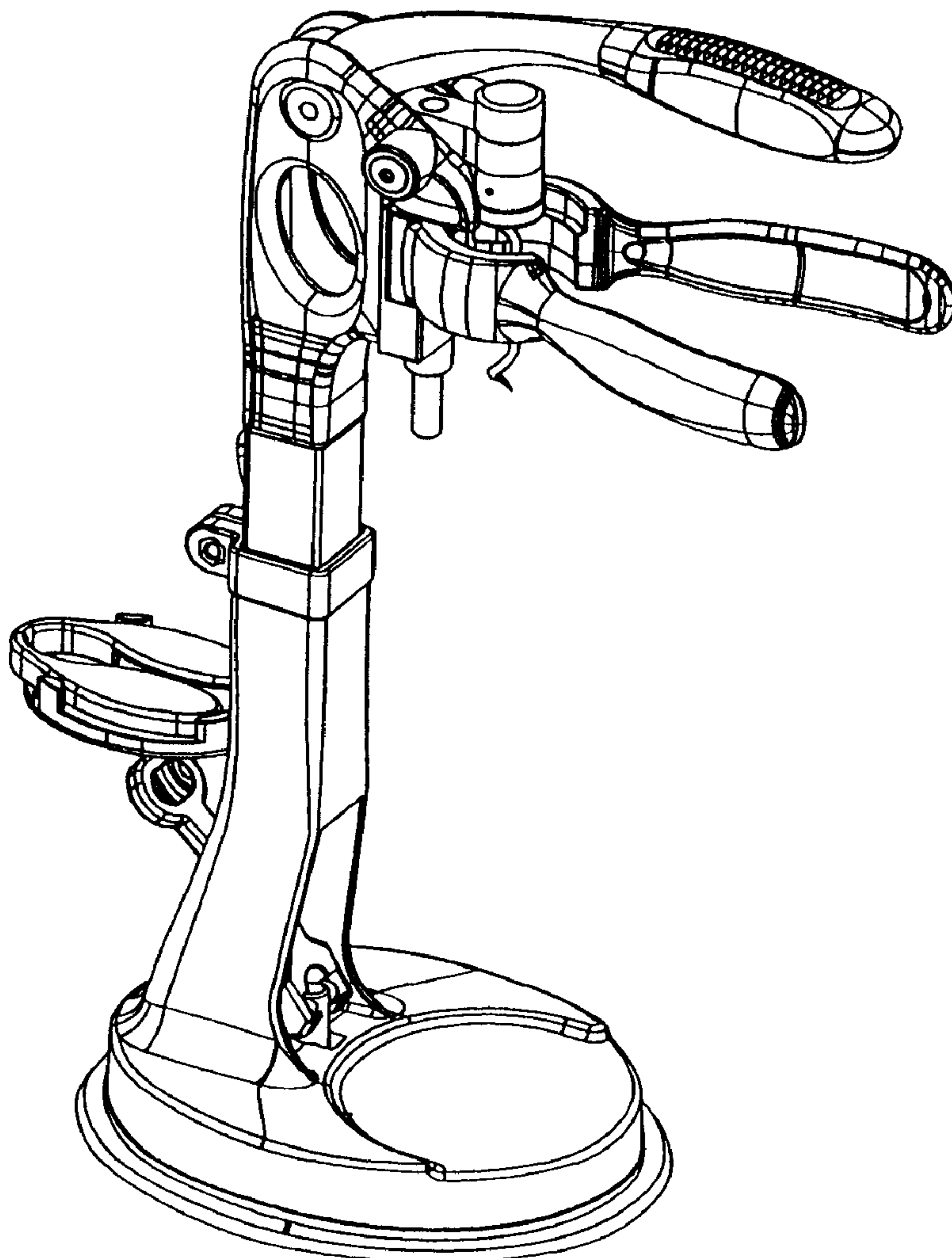
FIG. 5 is a top view thereof;

FIG. 6 is a bottom view thereof;

FIG. 7 is a perspective view thereof; and,

FIG. 8 is a front perspective view with parts in alternative position.

1 Claim, 4 Drawing Sheets



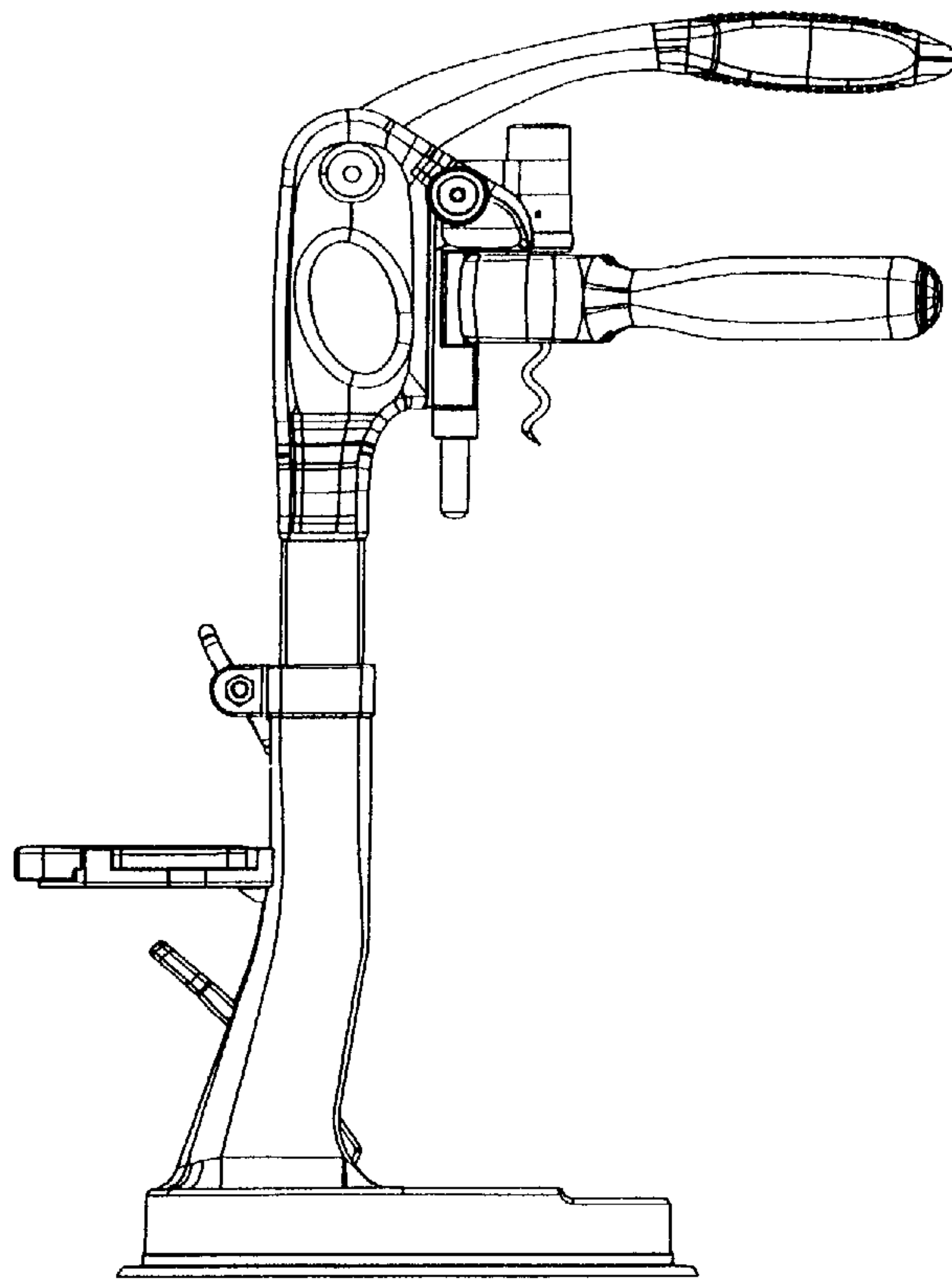


FIG. 1

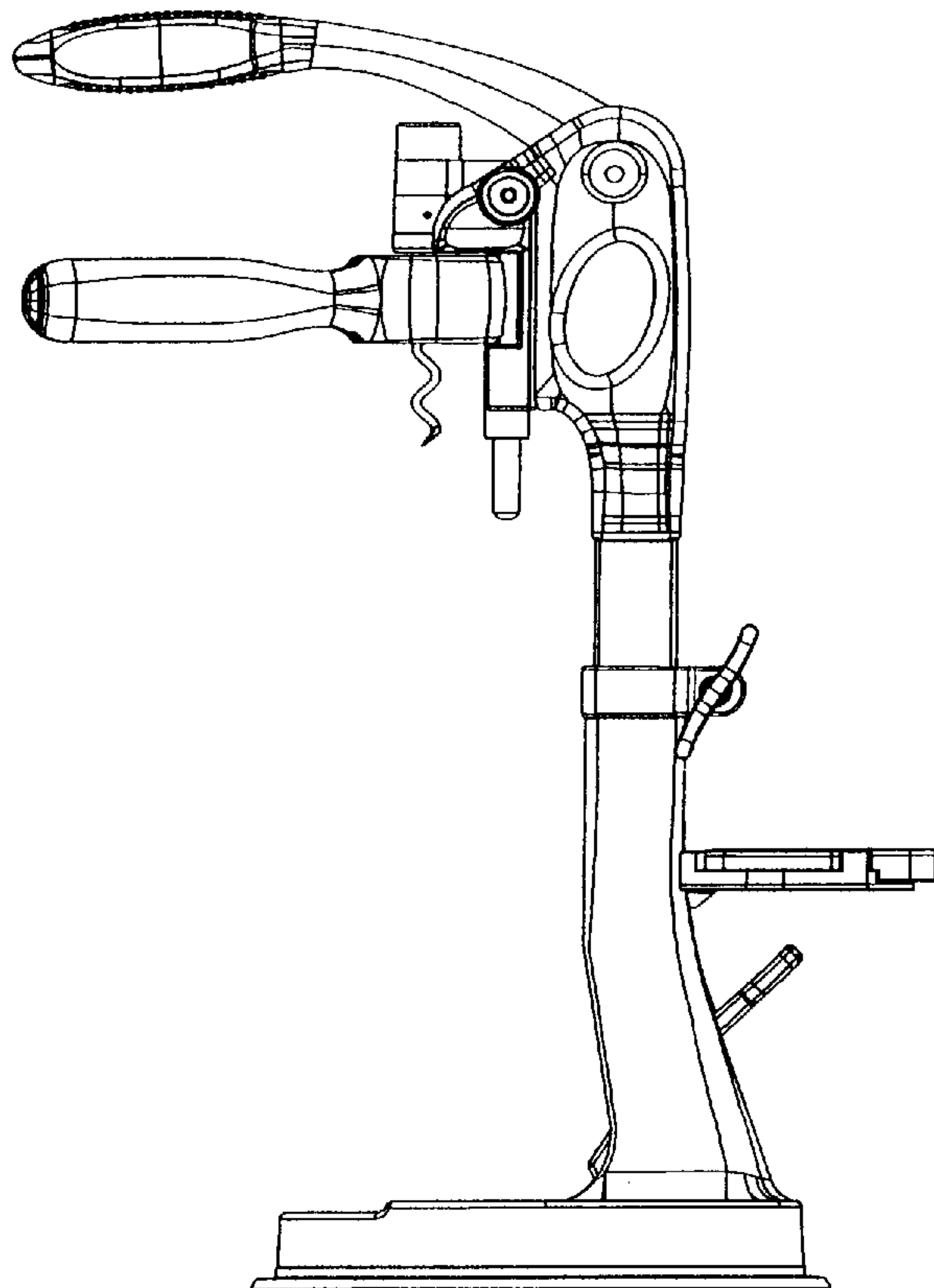


FIG. 2

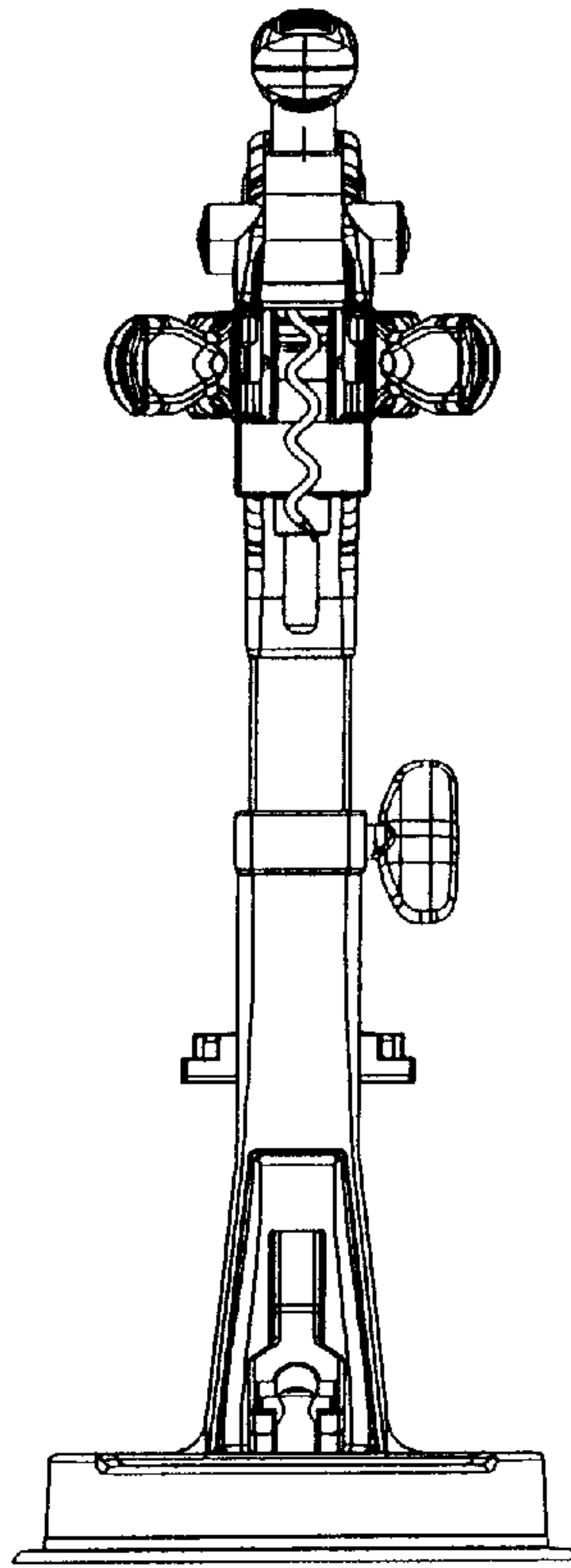


FIG. 3

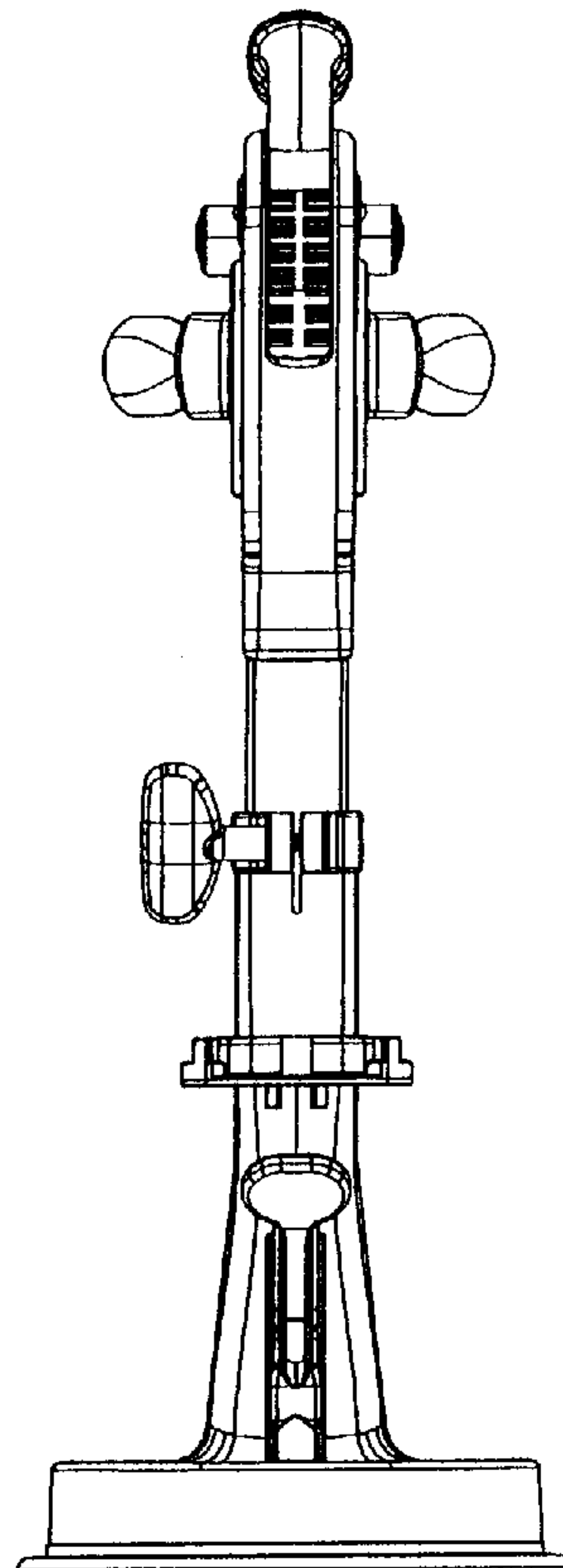


FIG. 4

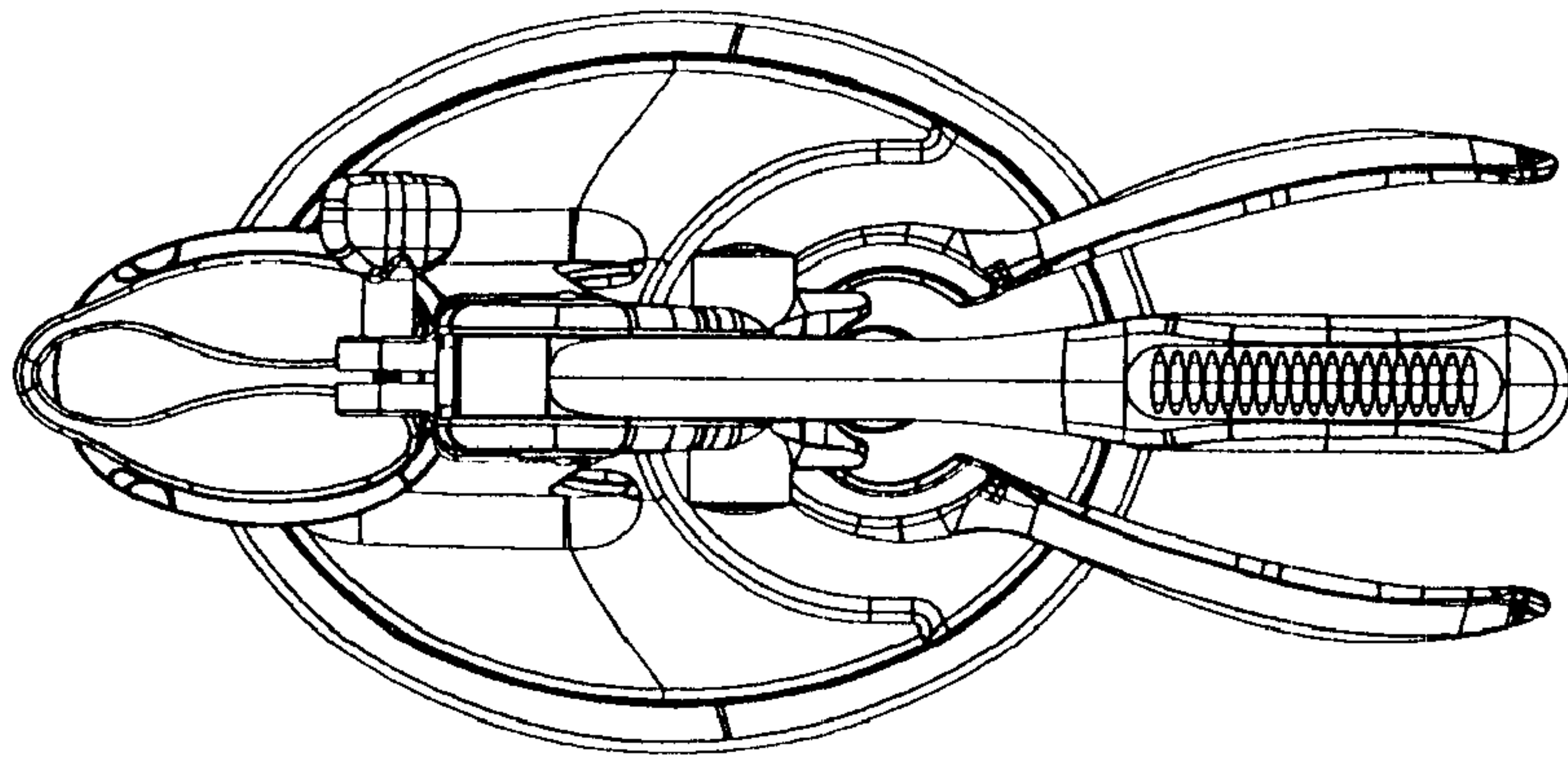


FIG. 5

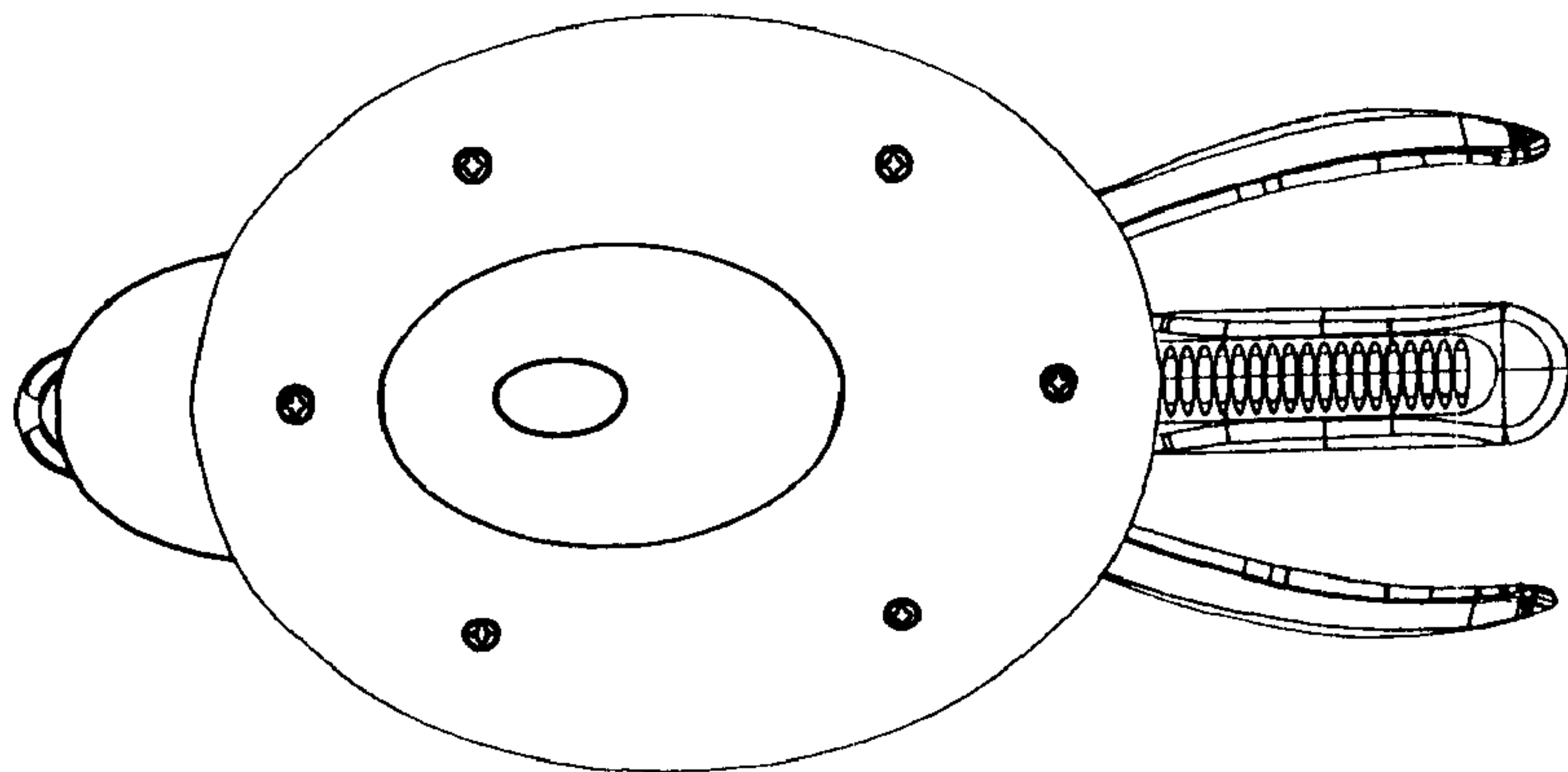


FIG. 6

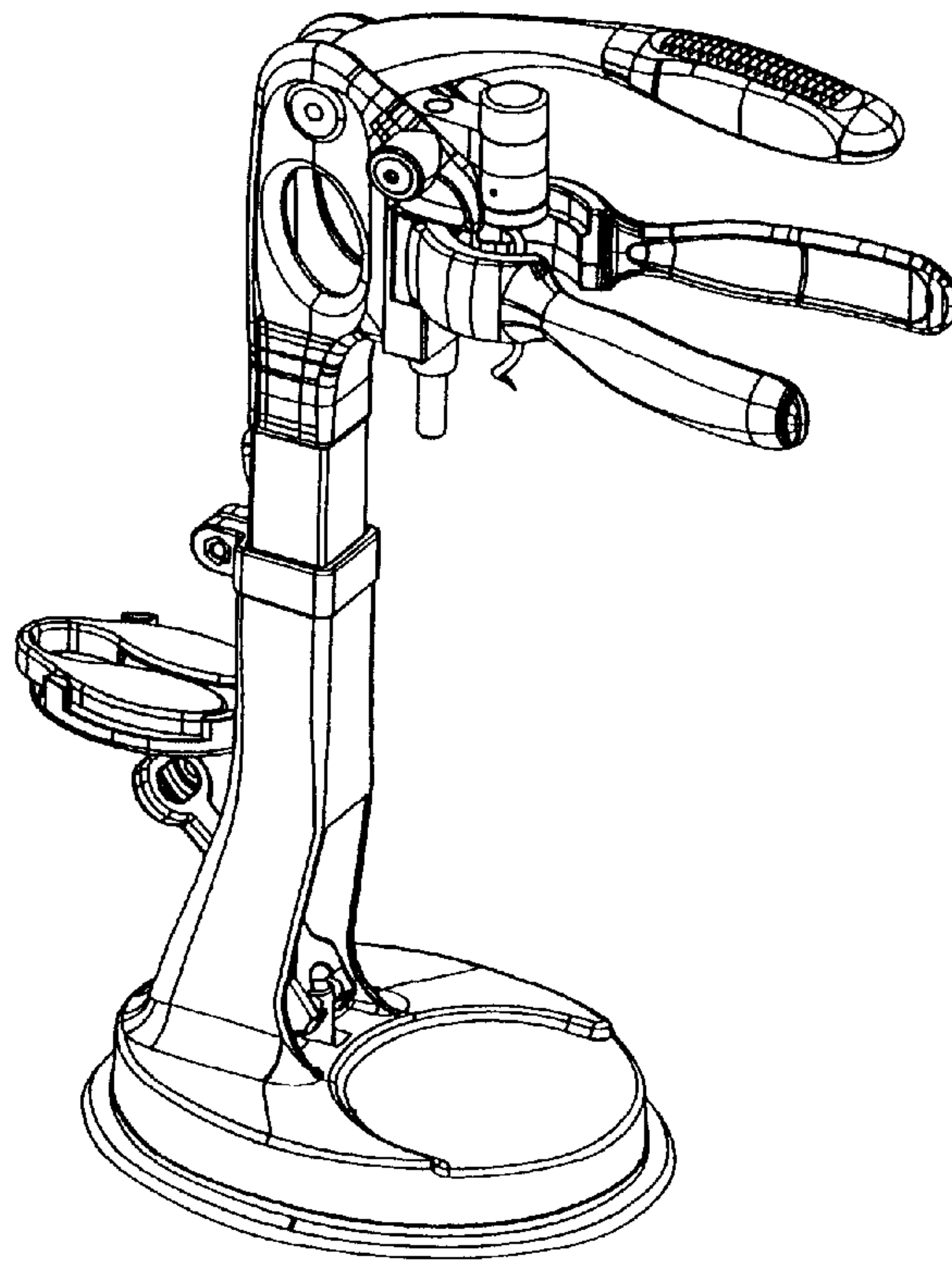


FIG. 7

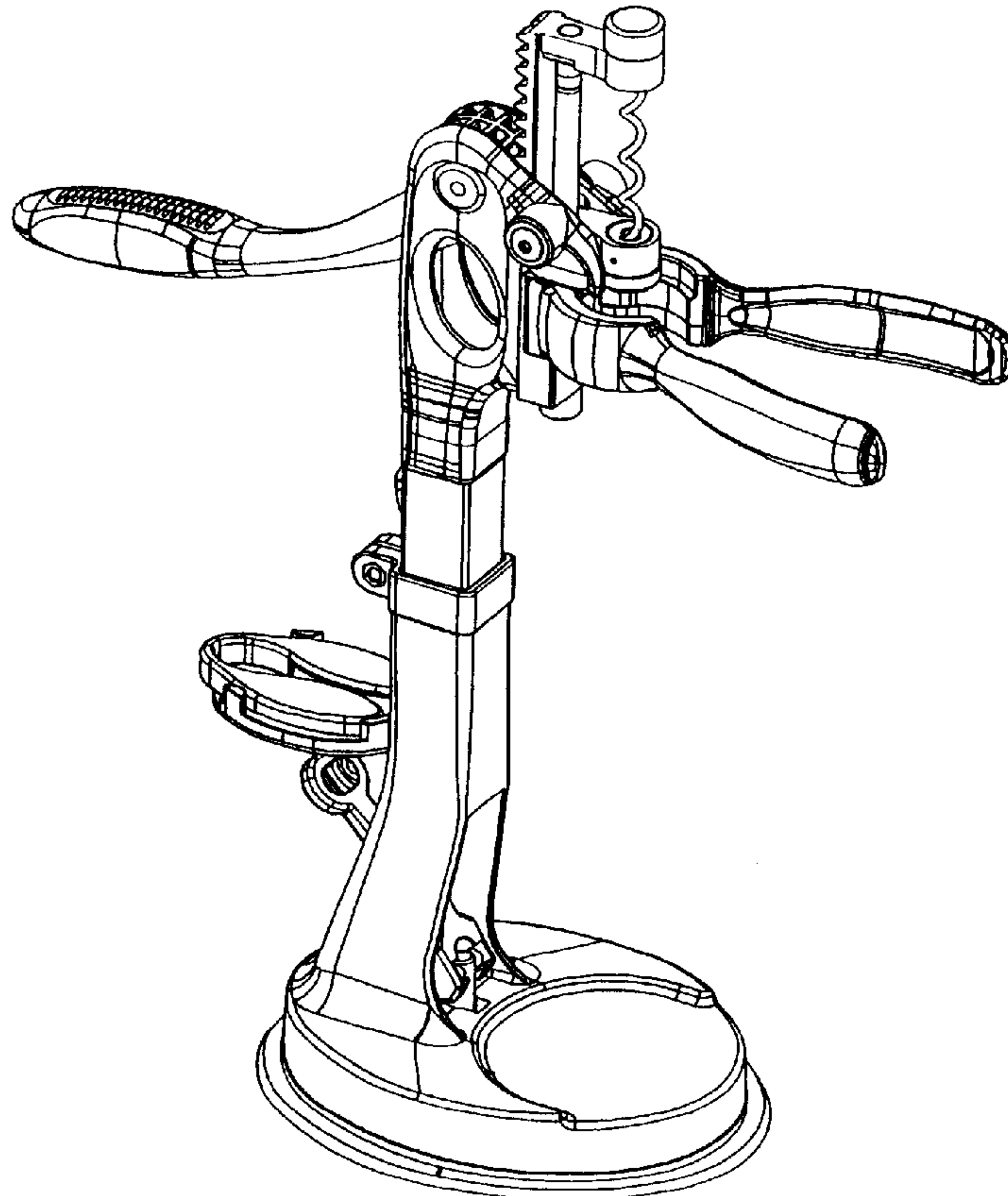


FIG. 8