



US00D481595S

(12) **United States Design Patent**
So

(10) **Patent No.:** **US D481,595 S**

(45) **Date of Patent:** **** Nov. 4, 2003**

(54) **FOOD CUTTER**

3,527,277 A * 9/1970 Walter 241/88.4

(76) **Inventor:** **Kwok Kuen So**, 2nd Floor, Chuan
Yuan Factory Building, 342-344 Kwun
Tong Road, Kwun Tong, Kowloon (HK)

* cited by examiner

(**) **Term:** **14 Years**

Primary Examiner—Terry A. Wallace
(74) *Attorney, Agent, or Firm*—Leydig, Voit & Mayer, Ltd.

(21) **Appl. No.:** **29/173,192**

(22) **Filed:** **Dec. 26, 2002**

(57) **CLAIM**

The ornamental design for a food cutter, as shown and described.

(30) **Foreign Application Priority Data**

Aug. 21, 2002 (HK) 0211226

DESCRIPTION

(51) **LOC (7) Cl.** **07-04**

(52) **U.S. Cl.** **D7/693**

(58) **Field of Search** D7/693, 678, 679,
D7/669, 372, 373, 376-386; 99/495, 509-513;
241/92, 93, 95, 88.4, 100, 168, 169, 169.1,
282.1, 282.3; 366/129, 130, 197, 240, 242,
247, 244, 279

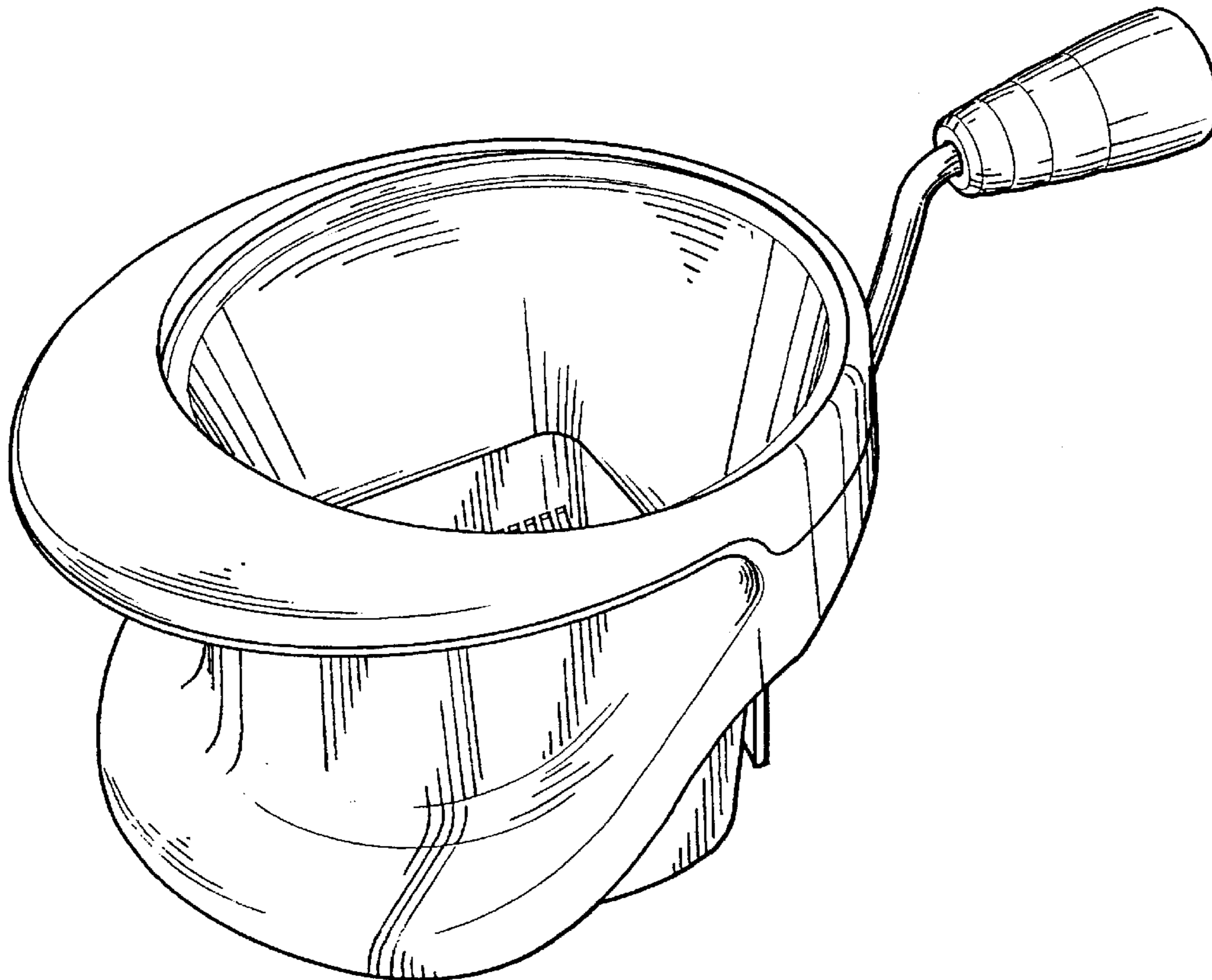
FIG. 1 is a front, left side and top perspective view of a food cutter showing my new design;
FIG. 2 is a front elevational view thereof;
FIG. 3 is a rear elevational view thereof;
FIG. 4 is a top plan view thereof;
FIG. 5 is a bottom plan view thereof;
FIG. 6 is a left side elevational view thereof; and,
FIG. 7 is a right side elevational view thereof.

(56) **References Cited**

U.S. PATENT DOCUMENTS

2,280,211 A * 4/1942 Bernhardt 241/100

1 Claim, 4 Drawing Sheets



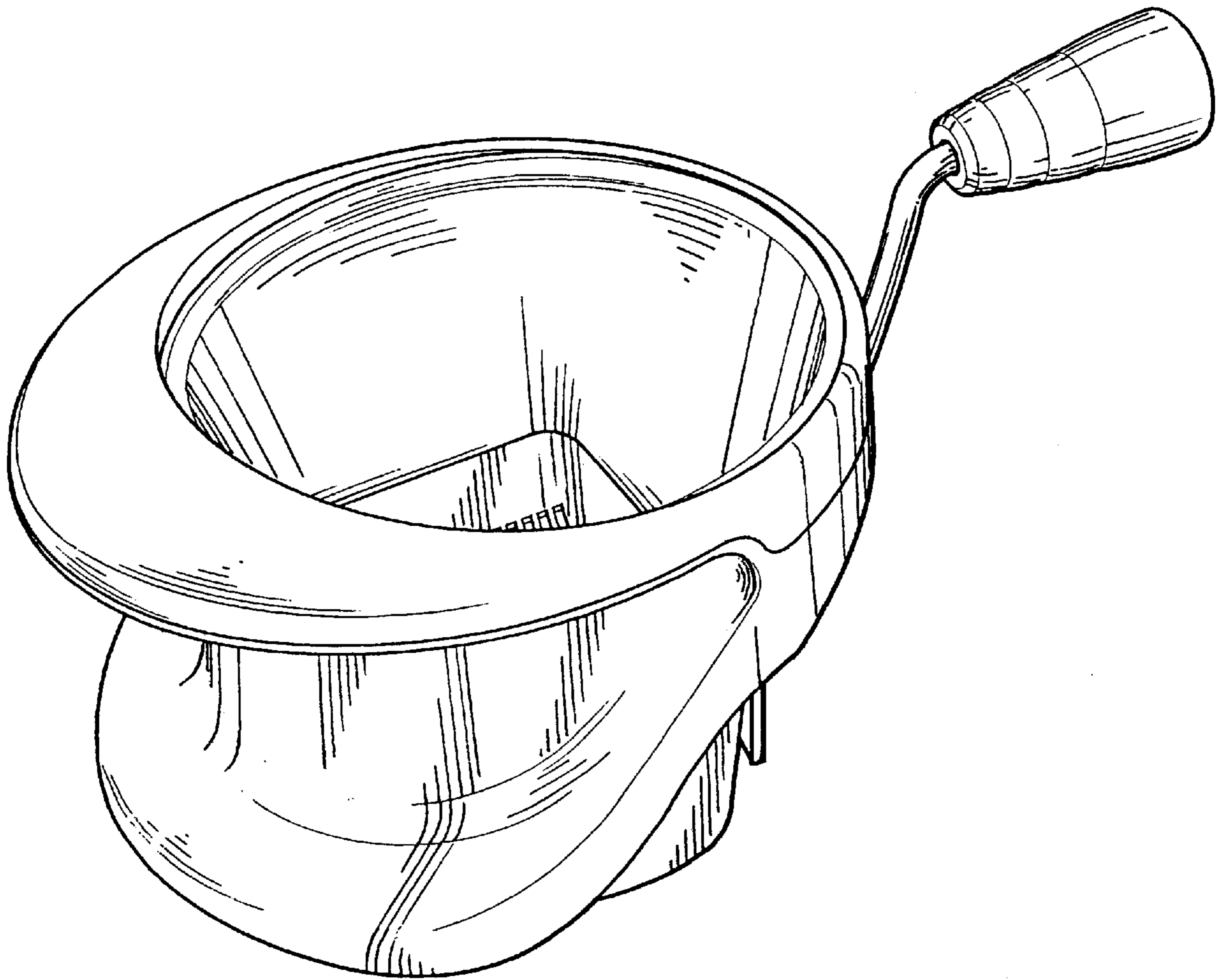


FIG. 1

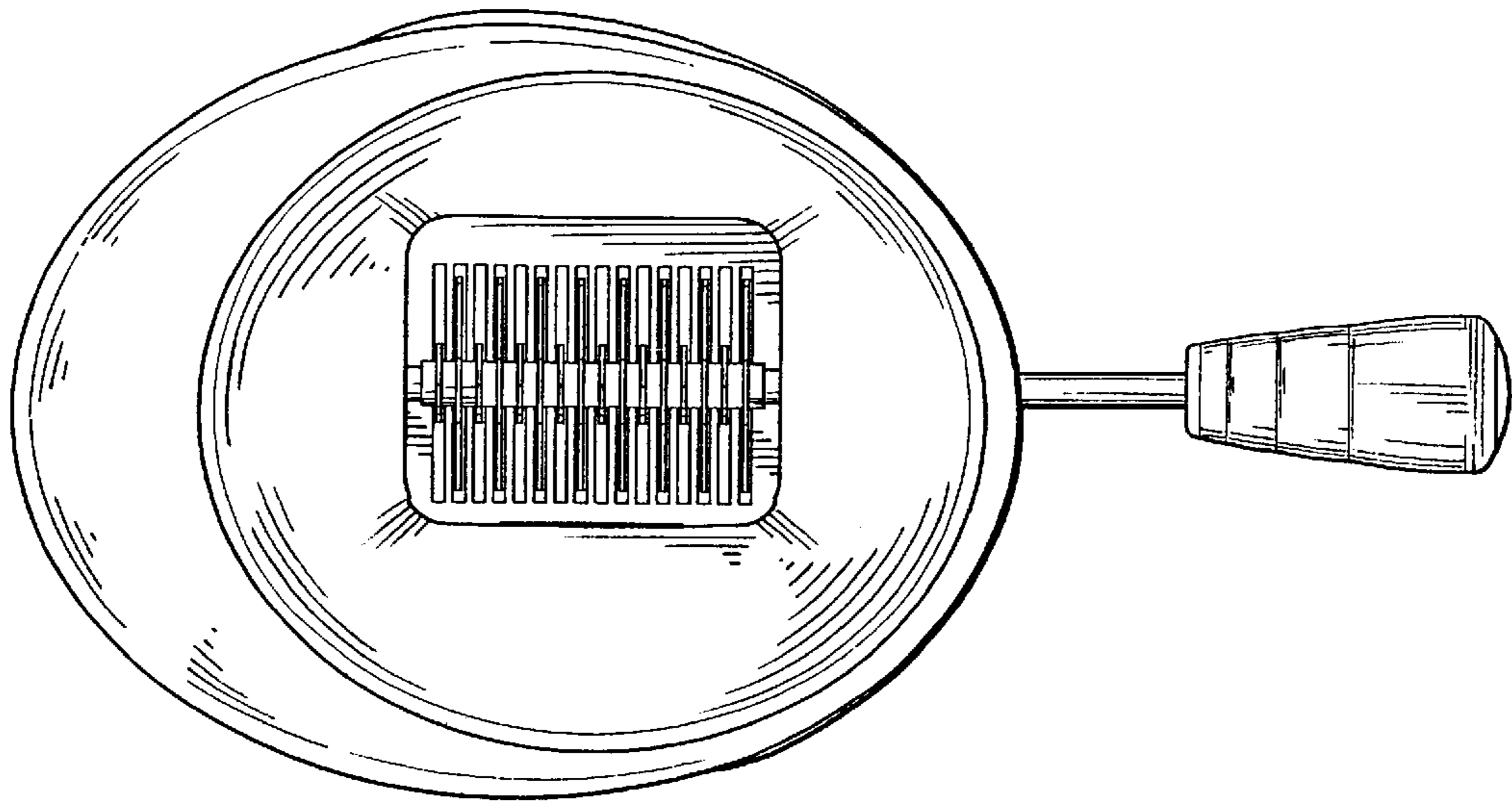


FIG. 4

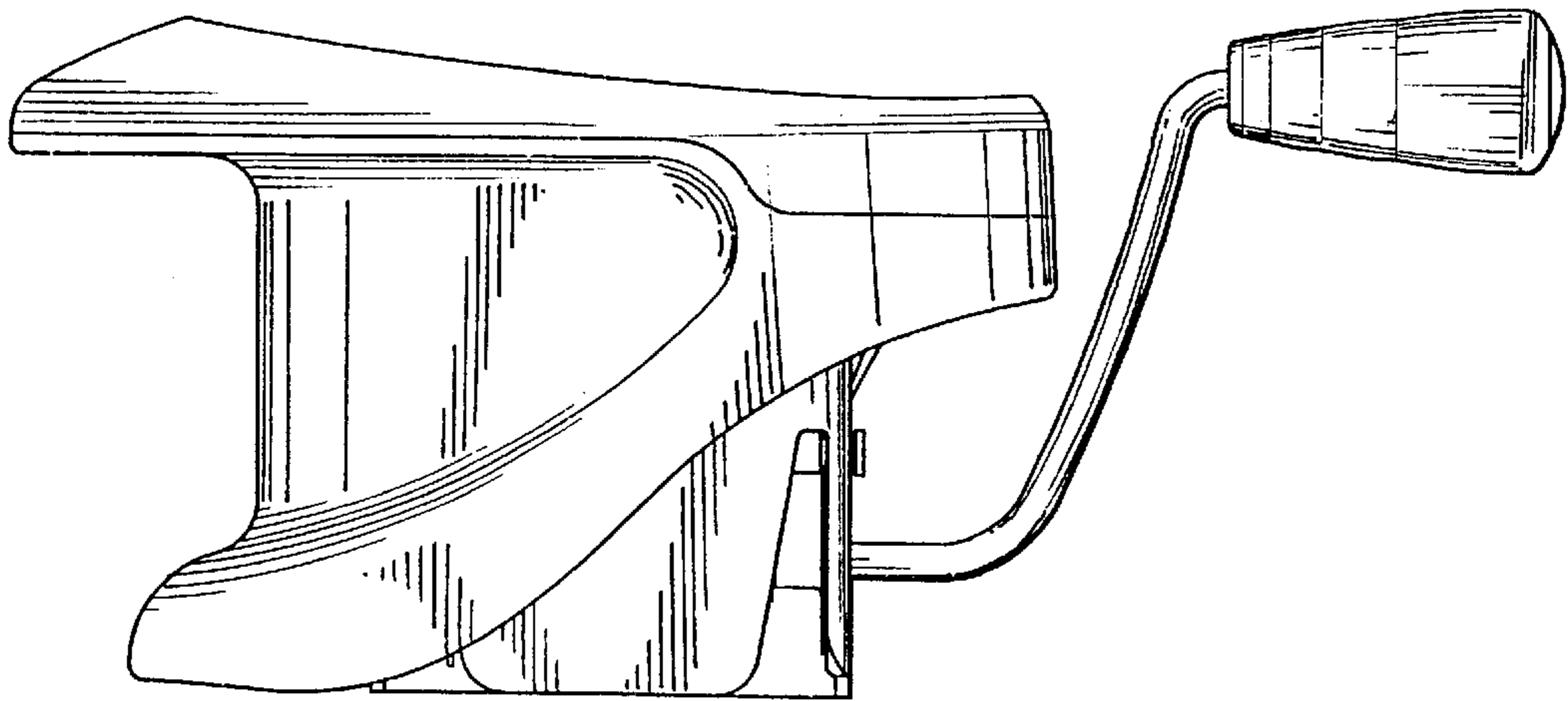


FIG. 2

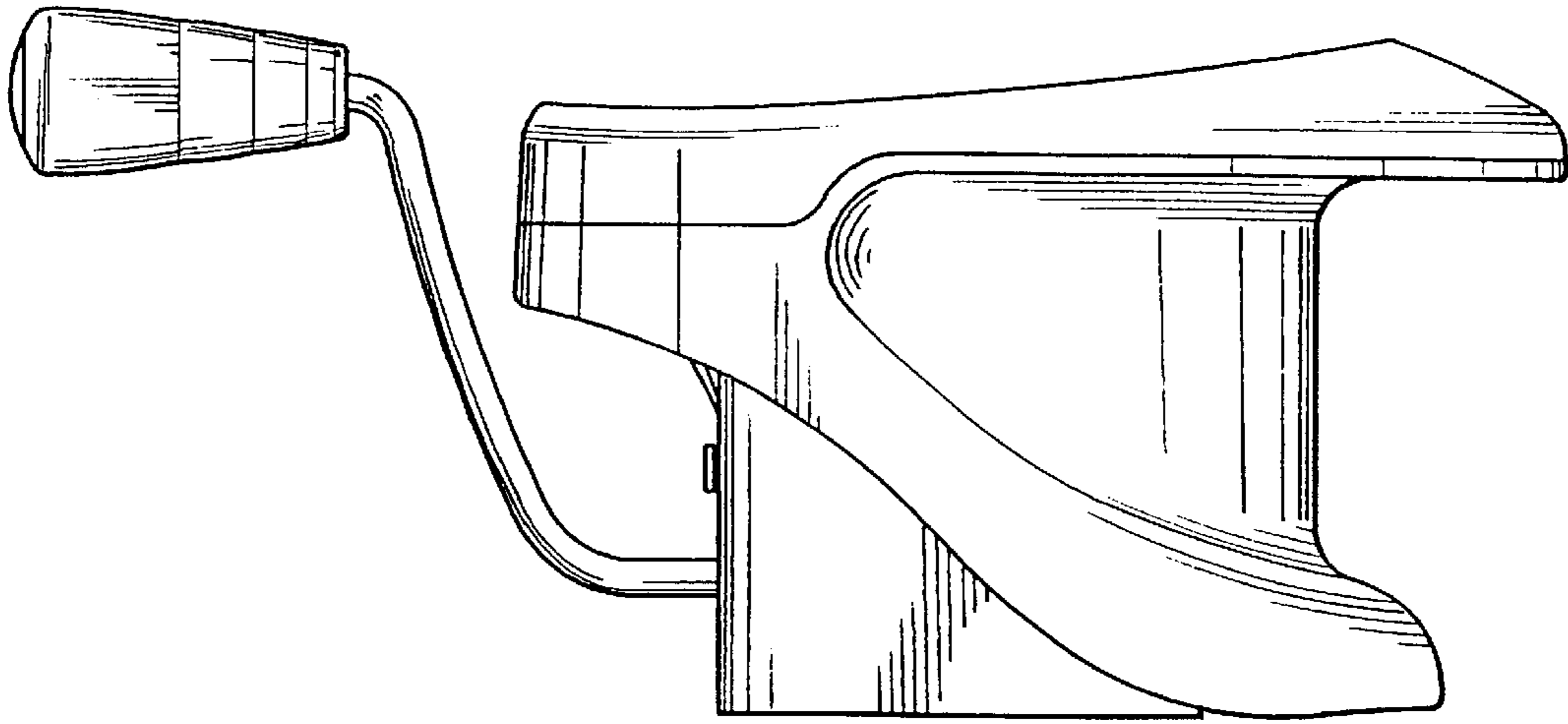


FIG. 3

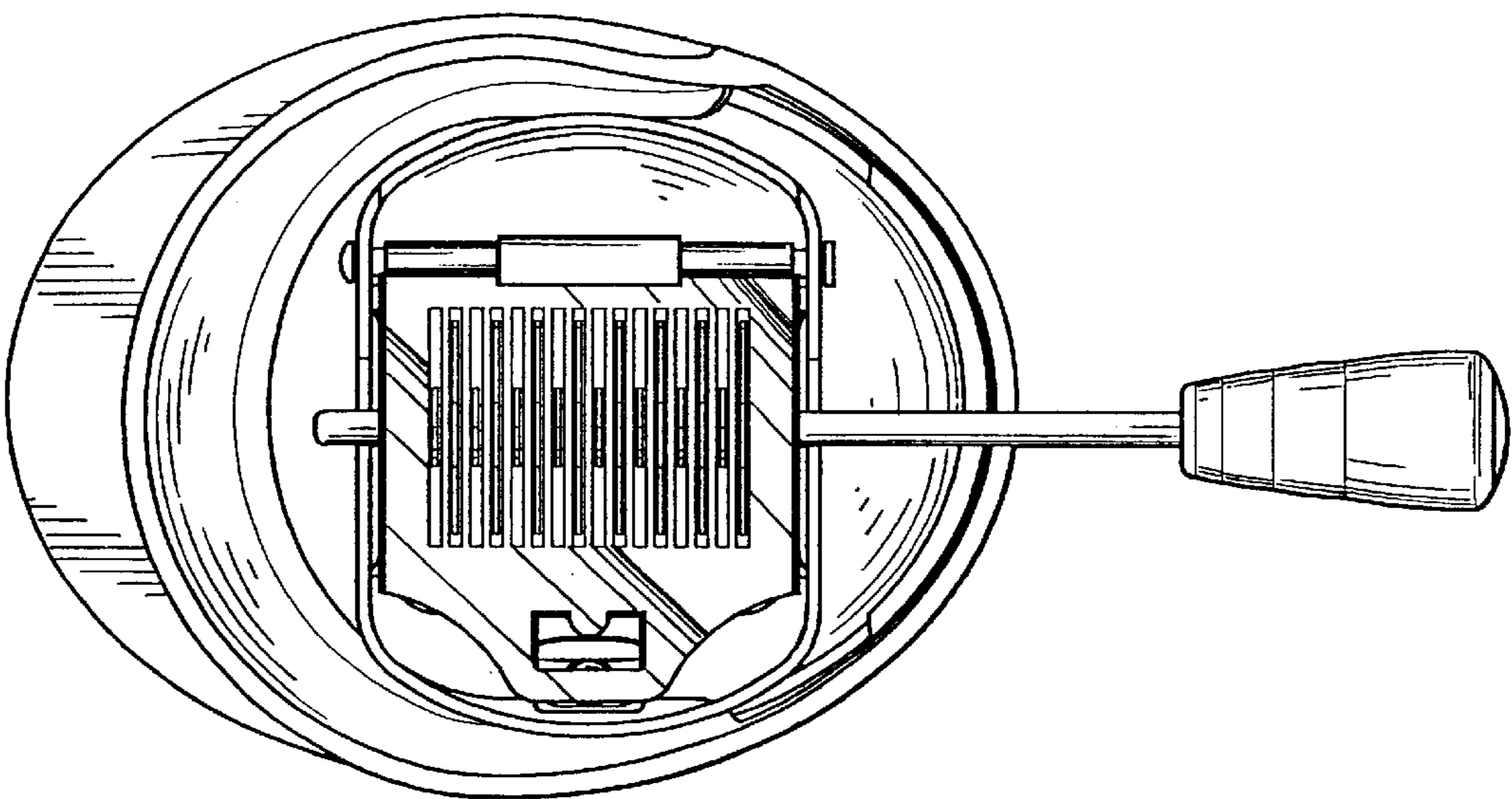


FIG. 5

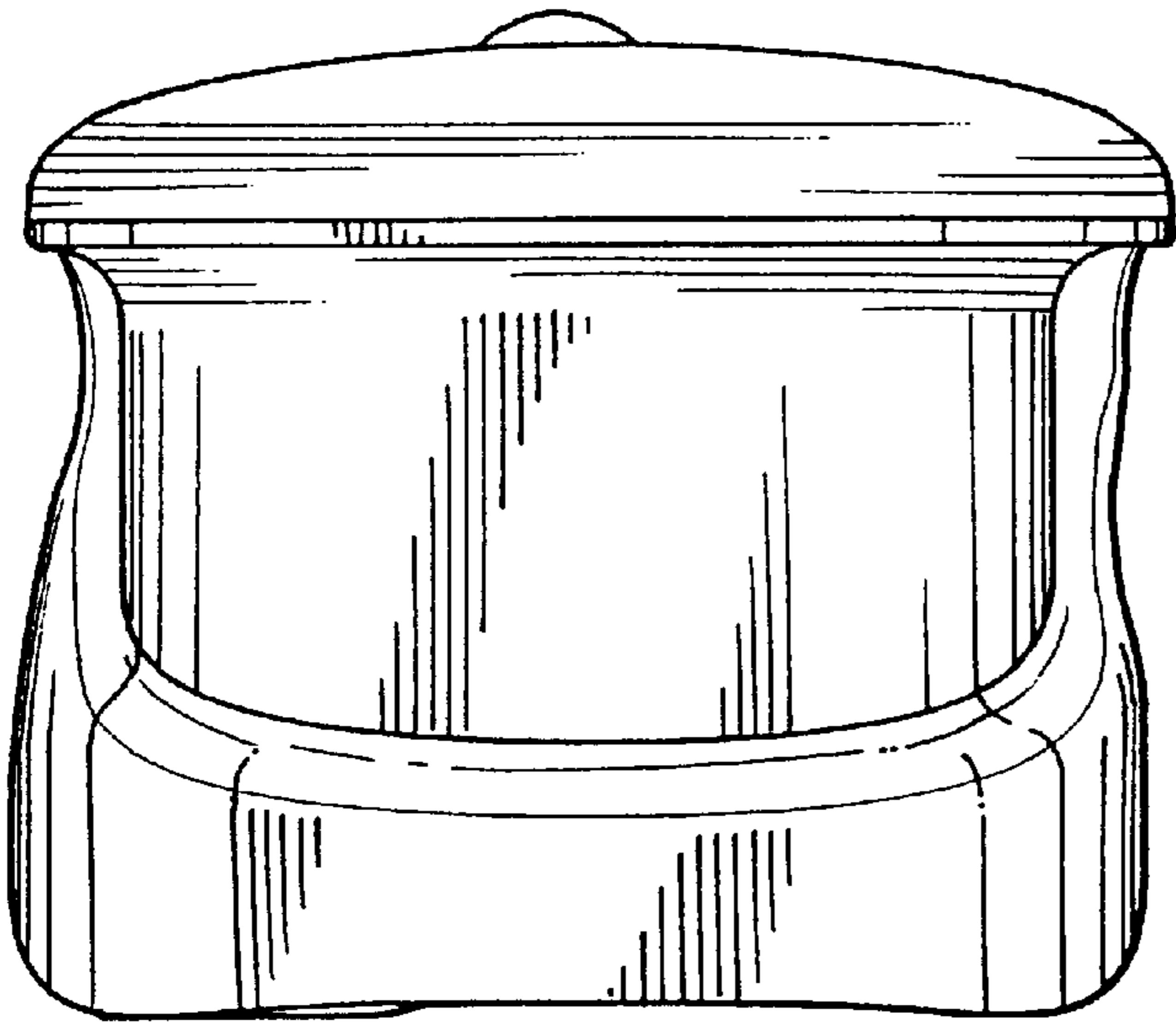


FIG. 6

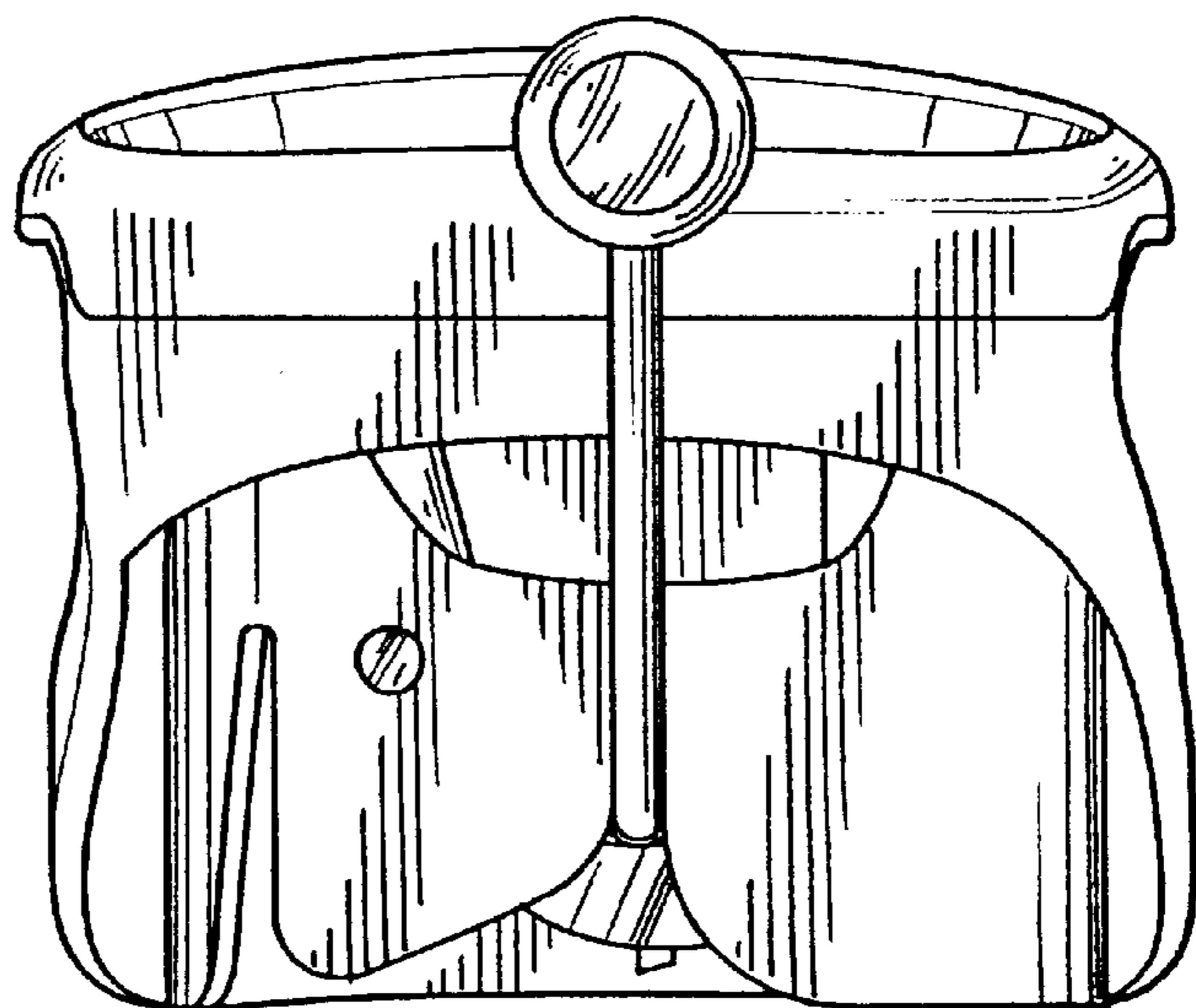


FIG. 7