



US00D481584S

(12) **United States Design Patent**
Nolan

(10) **Patent No.:** **US D481,584 S**

(45) **Date of Patent:** **** Nov. 4, 2003**

(54) **COOKING INDENTATION FOR COOKING TRAY**

(76) **Inventor:** **David L. Nolan**, 145 E. Zavalla, San Antonio, TX (US) 78204-1902

(**) **Term:** **14 Years**

(21) **Appl. No.:** **29/175,545**

(22) **Filed:** **Feb. 7, 2003**

(51) **LOC (7) Cl.** **07-02**

(52) **U.S. Cl.** **D7/357; 220/507**

(58) **Field of Search** D7/500, 541, 550, D7/553.1-553.8, 555-557, 323, 357, 387, 409; 99/426, 428, 440, 442, 448; 206/557, 558, 562, 563; 220/573.1-575, 500, 506, 507, 553, 555, 23.2; D9/341, 345, 424; 219/732

(56) **References Cited**

U.S. PATENT DOCUMENTS

4,039,797 A * 8/1977 Olsen 219/732
4,941,585 A * 7/1990 Hare et al. 220/23.2
D405,366 S * 2/1999 Herbruck D9/341

* cited by examiner

Primary Examiner—Caron D. Veynar

(74) *Attorney, Agent, or Firm*—Gunn, Lee & Hanor, PC

(57) **CLAIM**

The ornamental design for cooking indentation for cooking tray, as shown.

DESCRIPTION

FIG. 1 is a top plan view of the cooking indentation for cooking tray with the broken lines in the drawing illustrating a cooking tray in which multiple cooking indentations are embodied, the broken lines not being a part of the design sought to be patented.

FIG. 2 is a top perspective view of the cooking indentation for cooking tray with the break lines illustrating connection into the cooking tray which is not a part of the design sought to be patented.

FIG. 3 is a bottom perspective view of the cooking indentation for cooking tray.

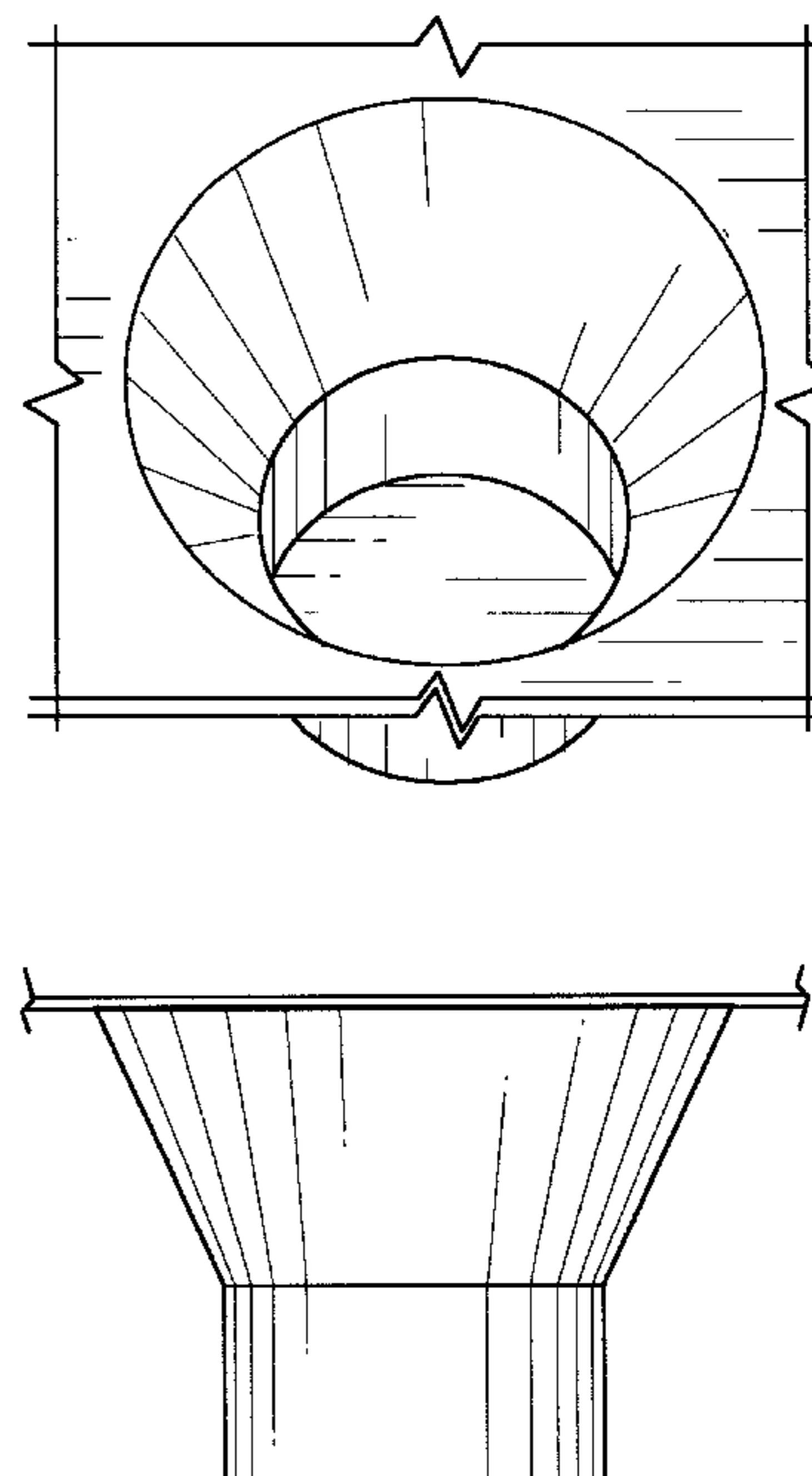
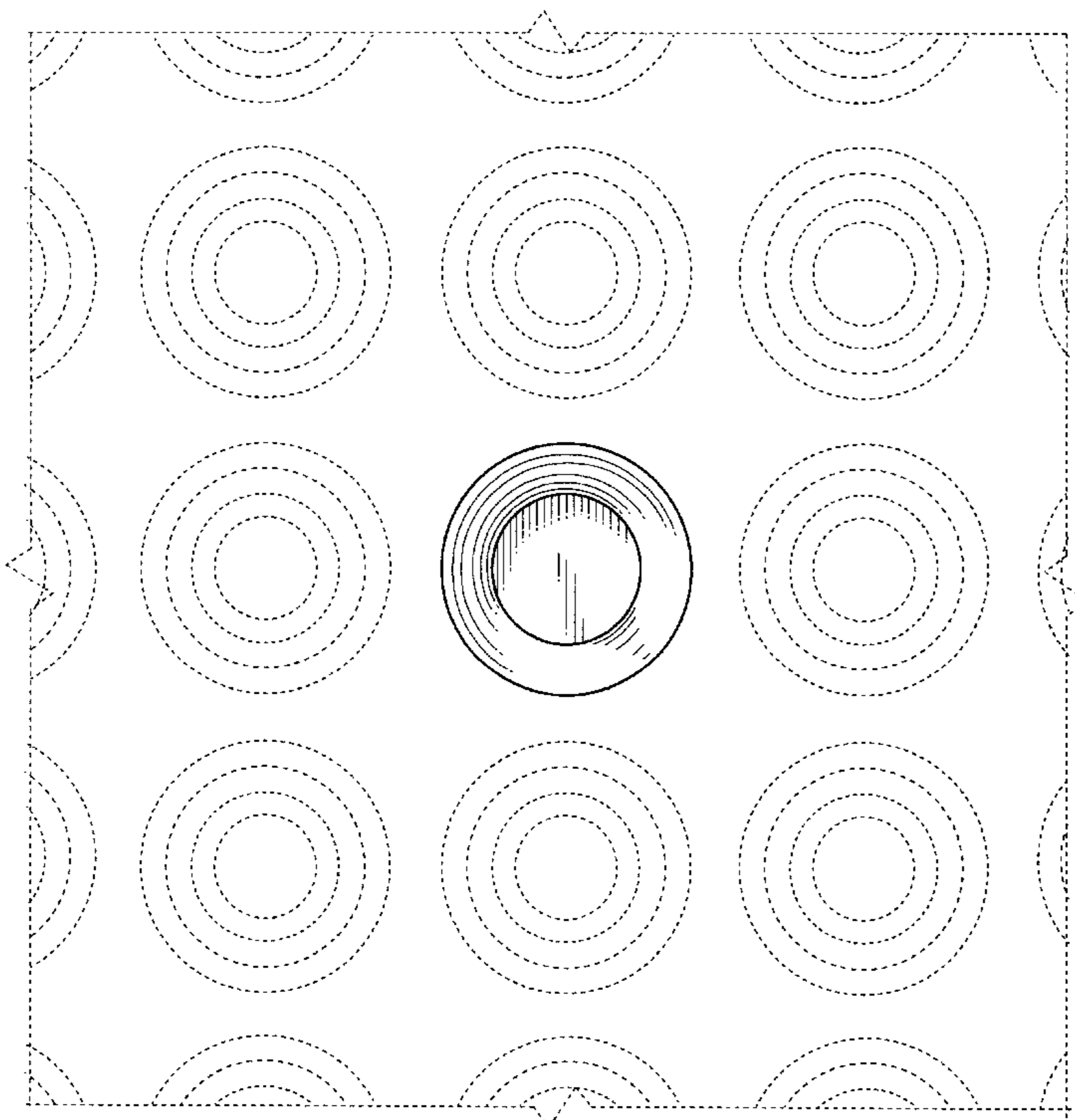
FIG. 4 is a top view of the cooking indentation for cooking tray.

FIG. 5 is a bottom view of the cooking indentation for cooking tray; and,

FIG. 6 is a side elevation view of the cooking indentation for cooking tray.

All side views of the cooking indentation for cooking tray are identical to FIG. 6.

1 Claim, 4 Drawing Sheets



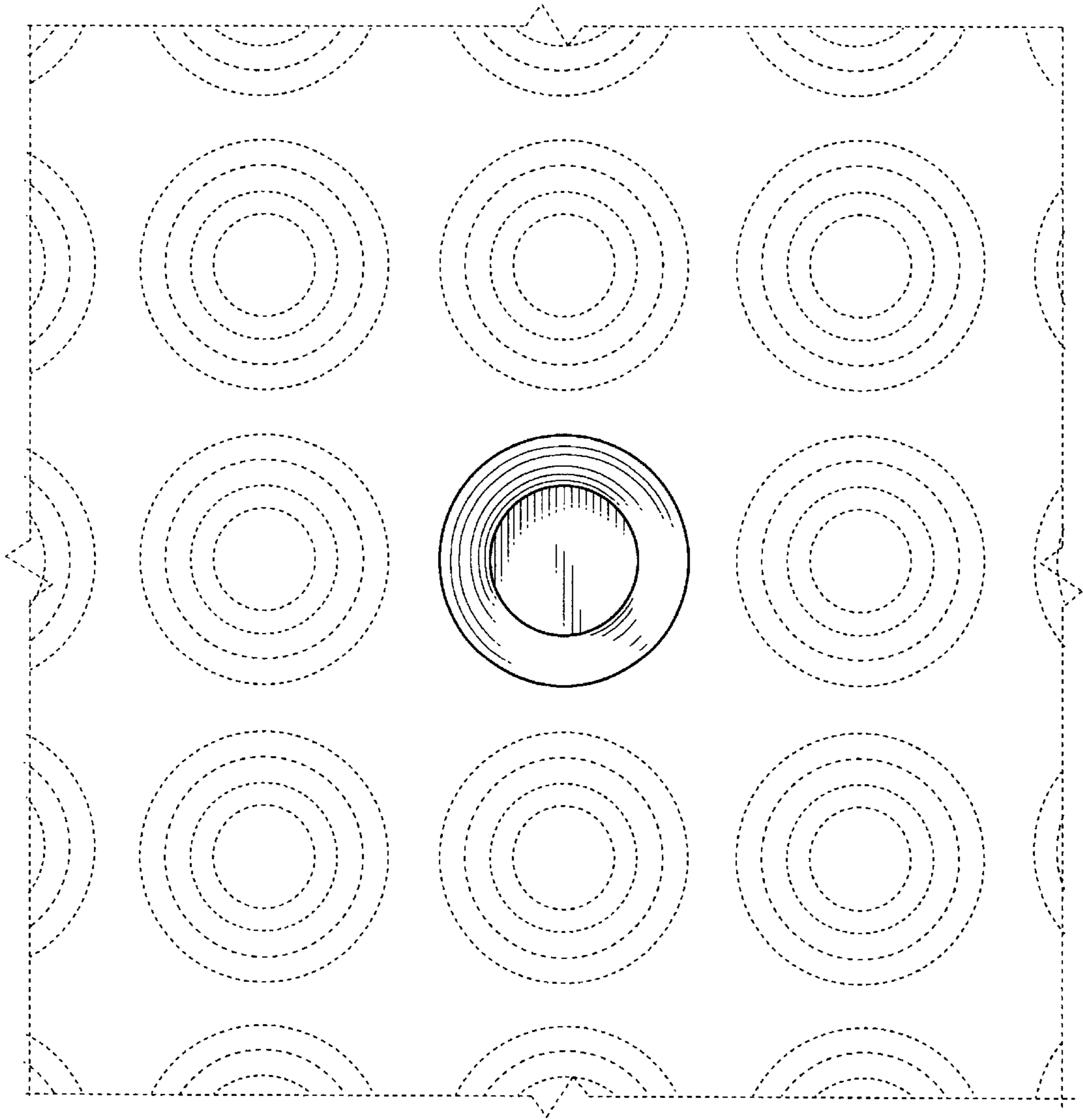


Fig. 1

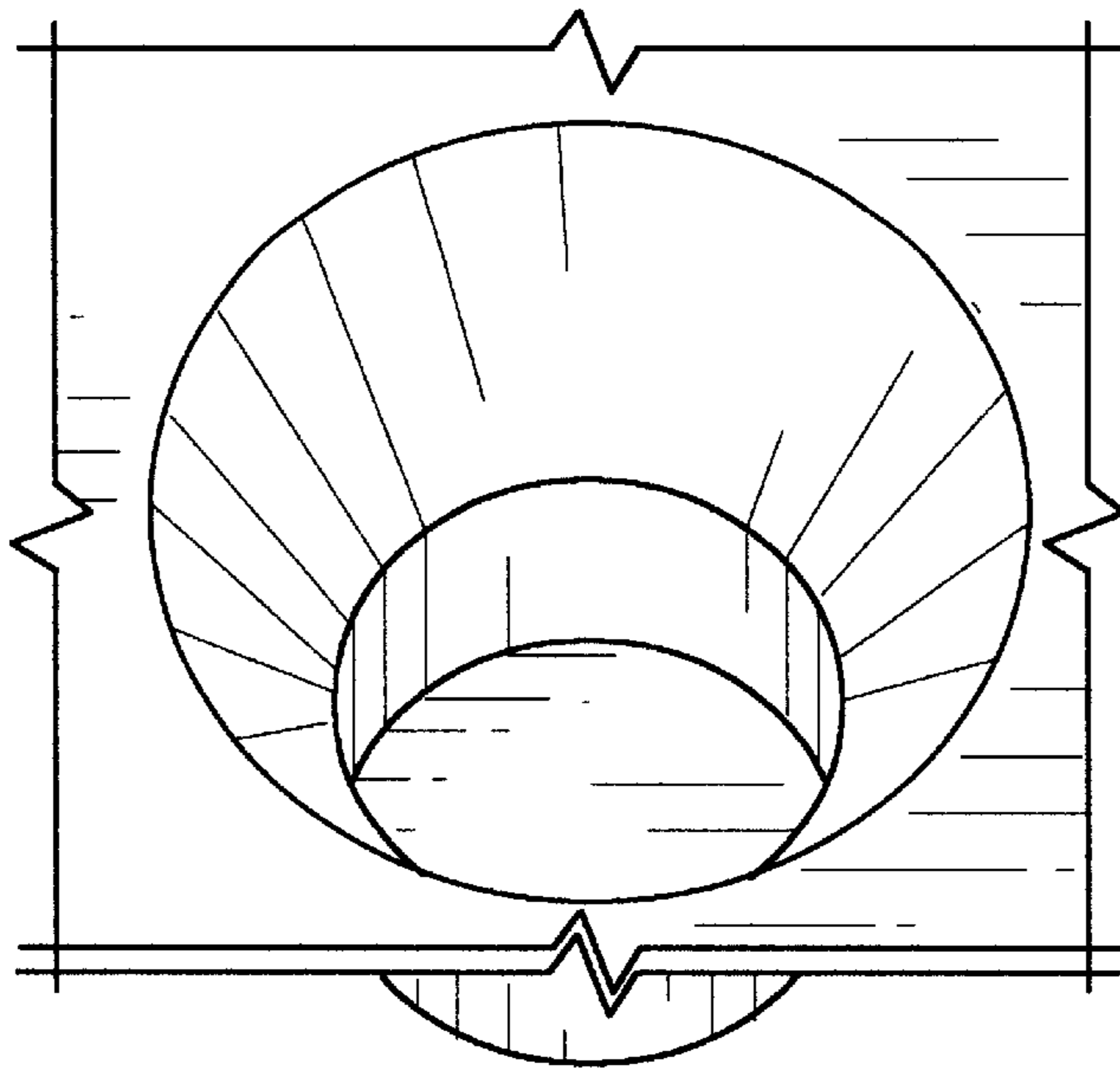


Fig. 2

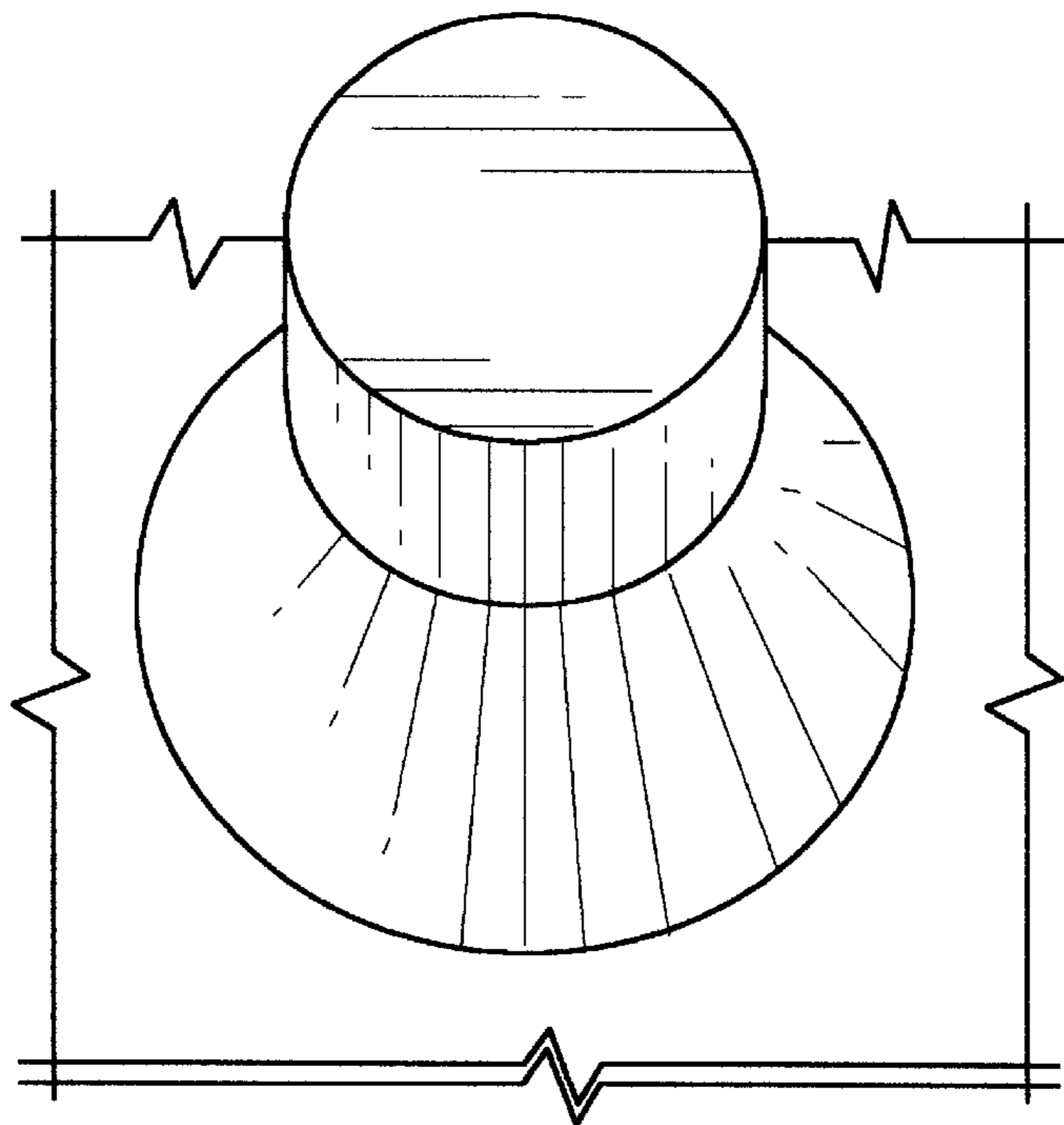


Fig. 3

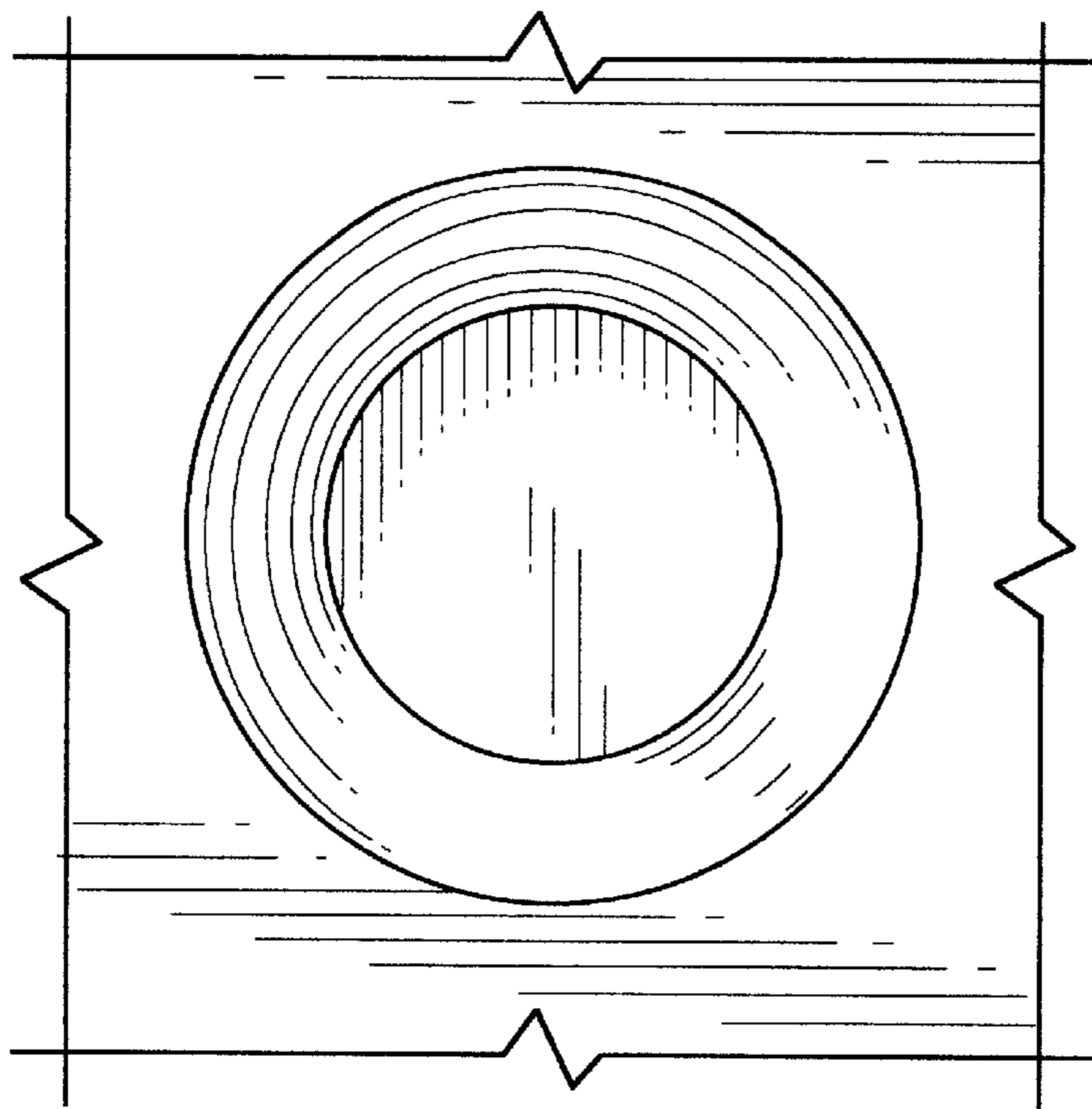


Fig. 4

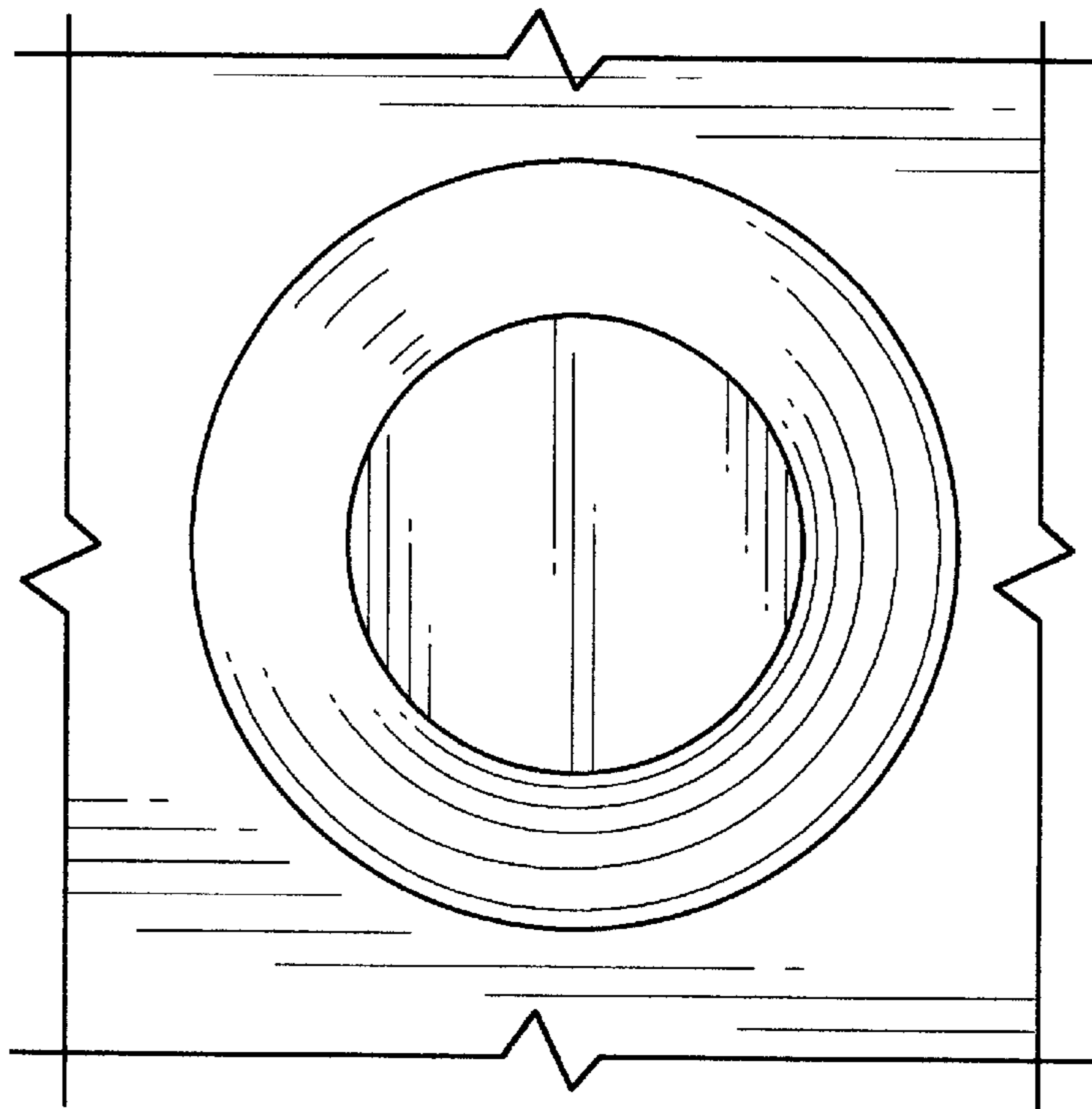


Fig. 5

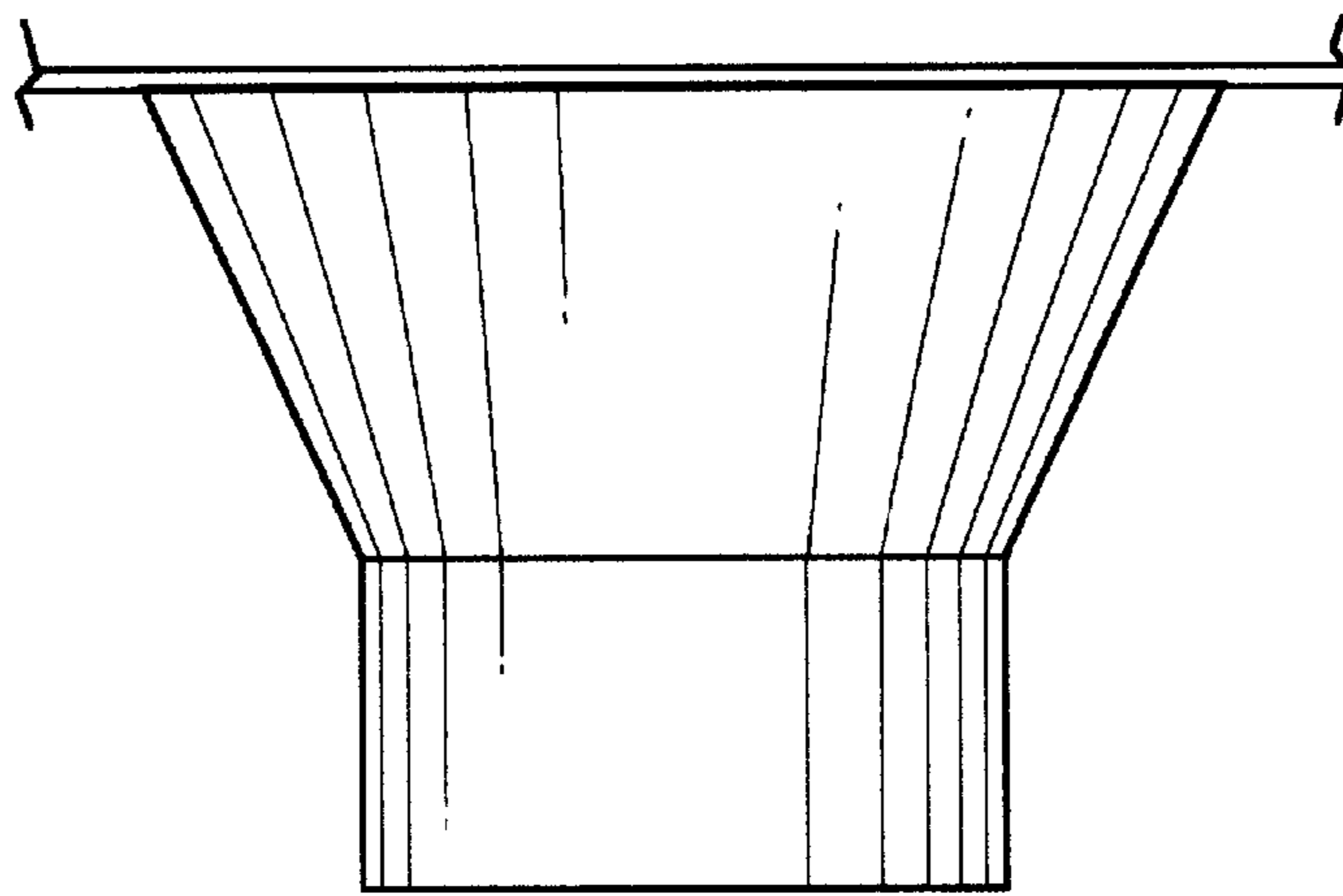


Fig. 6