



US00D481583S

(12) **United States Design Patent**
Fino et al.

(10) **Patent No.:** **US D481,583 S**

(45) **Date of Patent:** **** Nov. 4, 2003**

(54) **BAKING CROCK**

(75) Inventors: **Nancy E. Fino**, Lakewood, IL (US);
Kevin Bradley, Dundee, IL (US)

(73) Assignee: **Columbia Insurance Company**,
Omaha, NE (US)

(**) Term: **14 Years**

(21) Appl. No.: **29/154,495**

(22) Filed: **Jan. 23, 2002**

(51) **LOC (7) Cl.** **07-02**

(52) **U.S. Cl.** **D7/354**

(58) **Field of Search** D7/500, 354-361,
D7/509, 532, 523, 531; D9/428, 434; 229/400,
403; 206/520, 519; 294/31.2; 220/573.1-574

(56) **References Cited**

U.S. PATENT DOCUMENTS

2,028,566	A	*	1/1936	Seipel et al.	294/31.2
D107,994	S	*	1/1938	Hansen	D7/532
3,091,360	A	*	5/1963	Edwards	206/520
D198,139	S	*	5/1964	Edwards	D7/532
3,139,213	A	*	6/1964	Edwards	206/519
3,157,335	A	*	11/1964	Maier	229/400
D227,751	S	*	7/1973	Gardner	D9/428
3,850,361	A	*	11/1974	Day et al.	229/400
D272,219	S	*	1/1984	Hor	D7/354
D304,536	S	*	11/1989	Blaser	D7/584

D350,068 S * 8/1994 Schwartzburg D9/434
D461,369 S * 8/2002 Sims et al. D7/531

* cited by examiner

Primary Examiner—Caron D. Veynar

(74) *Attorney, Agent, or Firm*—Neal, Gerber & Eisenberg

(57) **CLAIM**

The ornamental design for a baking crock, as shown.

DESCRIPTION

FIG. 1 is a perspective view of the inventive design for a baking crock;

FIG. 2 is an elevational view of a side of the FIG. 1 design;

FIG. 3 is a top plan view of the FIG. 1 design;

FIG. 4 is a bottom plan view of the FIG. 1 design;

FIG. 5 is a cross-sectional view taken along line 5—5 on FIG. 3;

FIG. 6 is a fragmentary perspective view of the bottom of the FIG. 1 design;

FIG. 7 is a top plan view of a second embodiment of the baking crock;

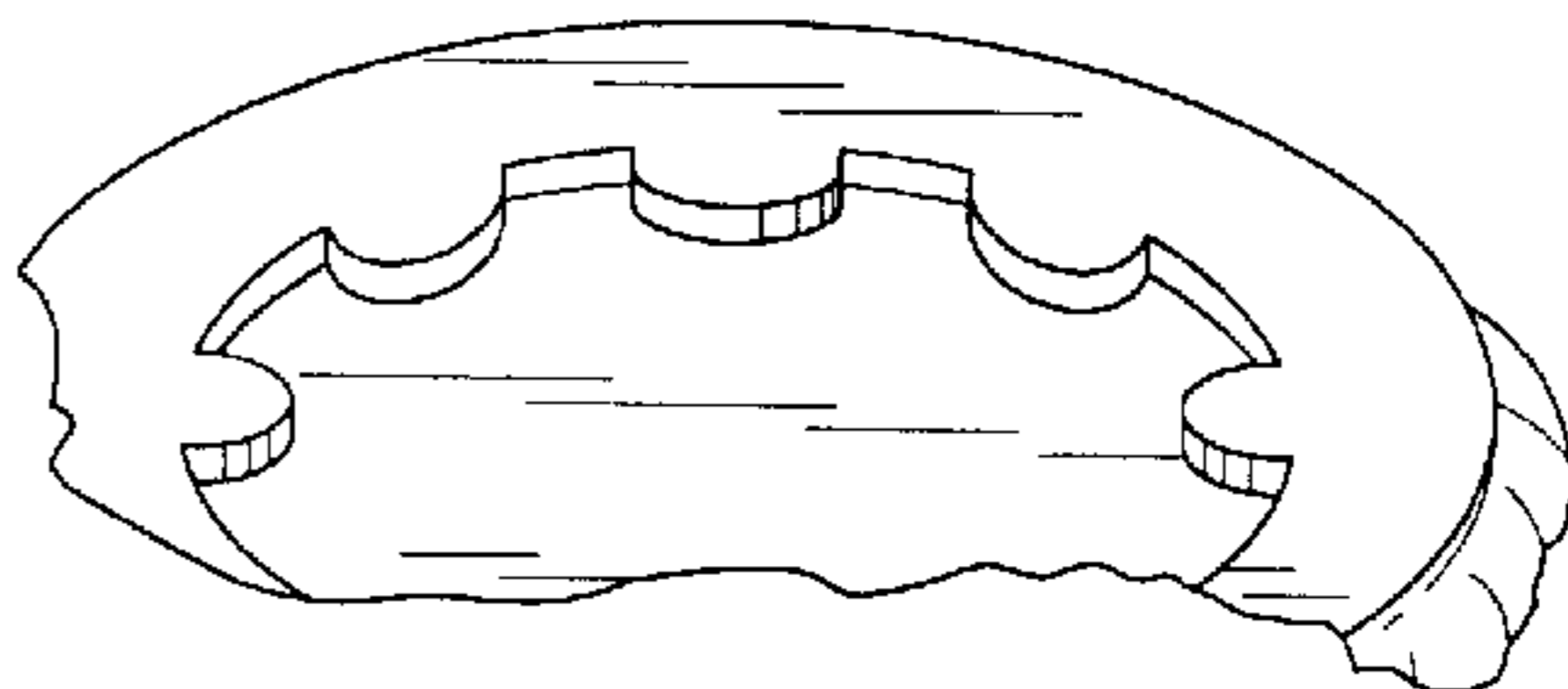
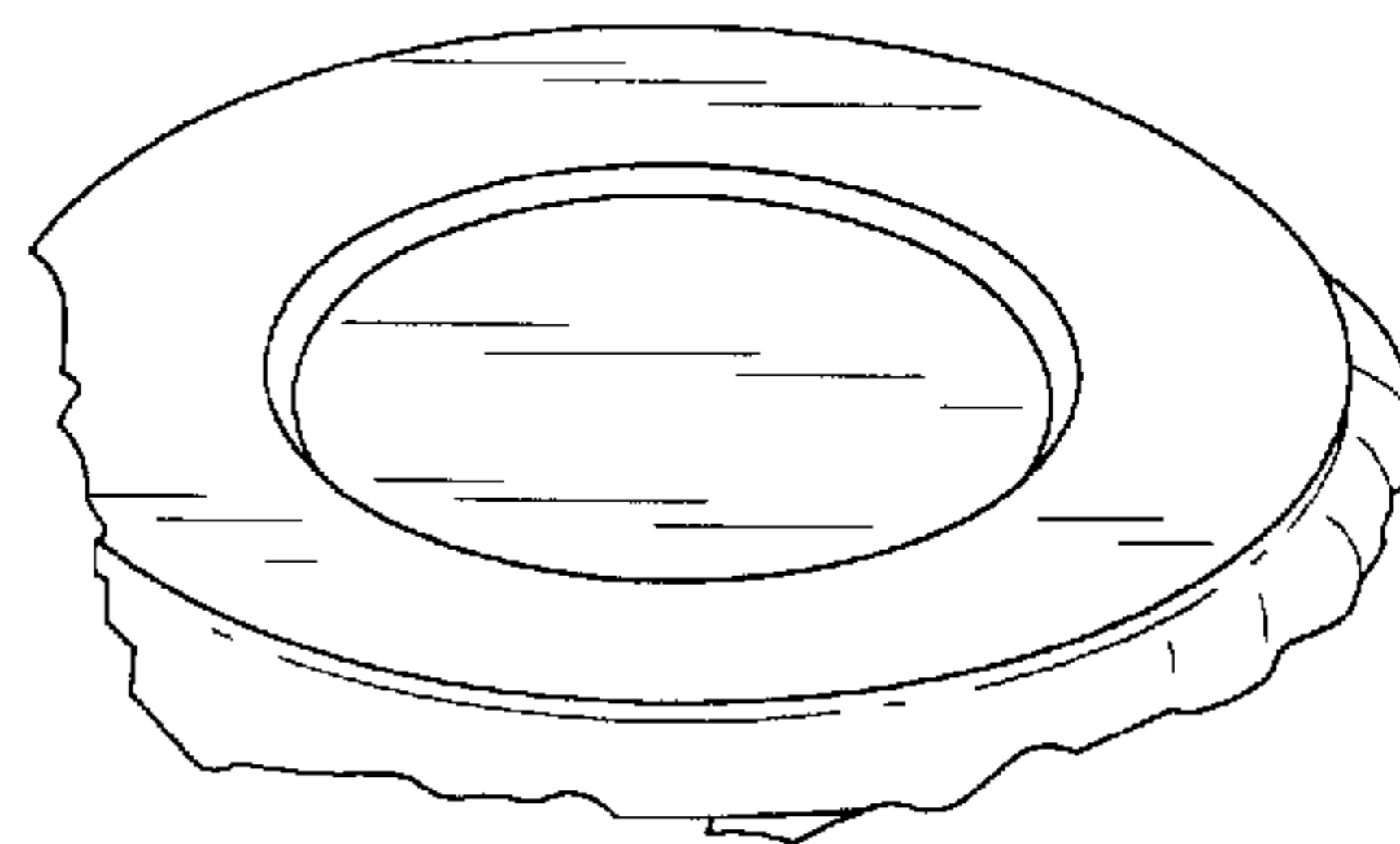
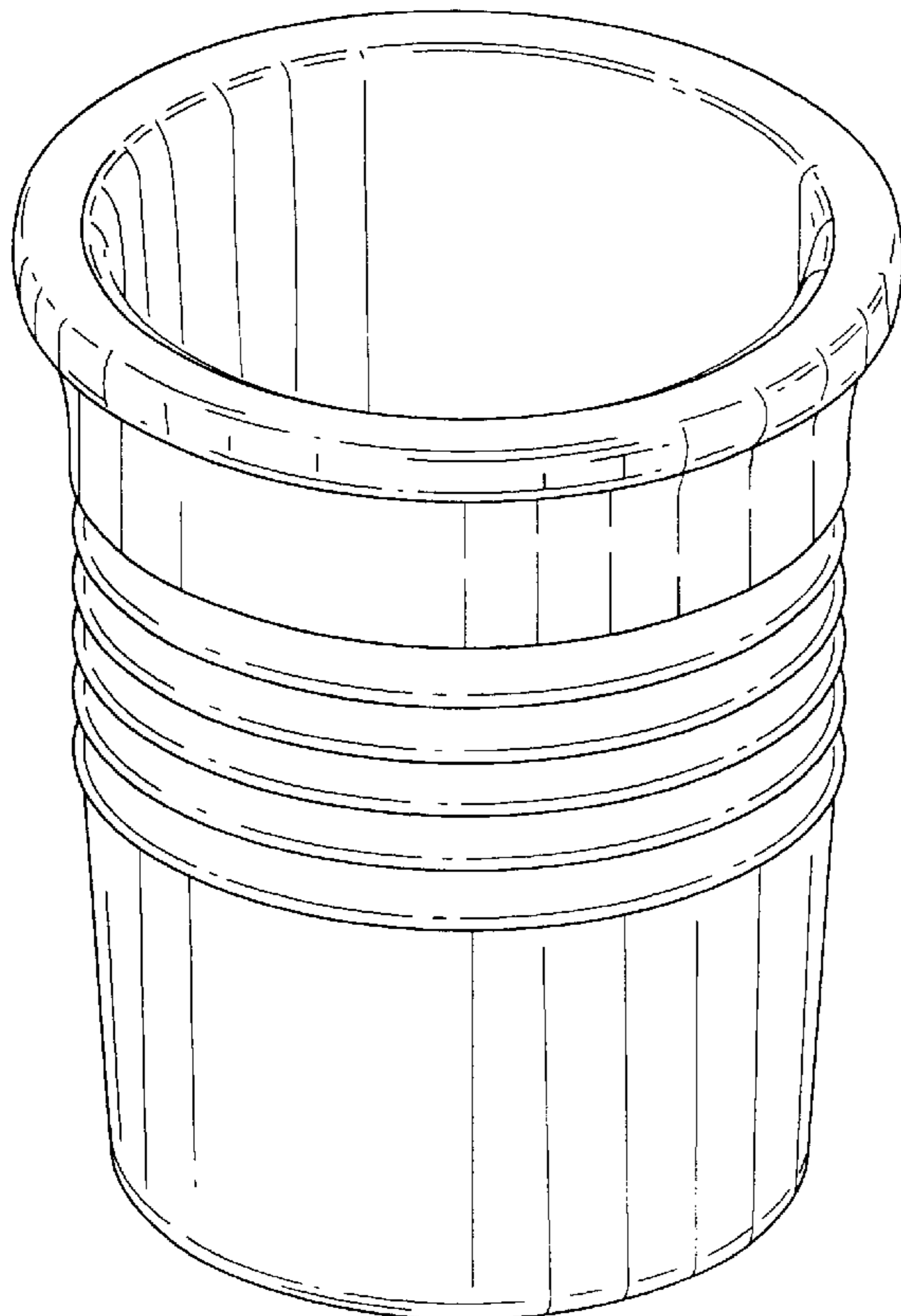
FIG. 8 is a bottom plan view of the FIG. 7 design;

FIG. 9 is a cross-sectional view taken along line 9—9 in FIG. 7;

FIG. 10 is a fragmentary perspective view of the bottom of the FIG. 7 design; and,

FIG. 11 is an elevational view of the side of the FIG. 7 design, identical to that of FIG. 2.

1 Claim, 4 Drawing Sheets



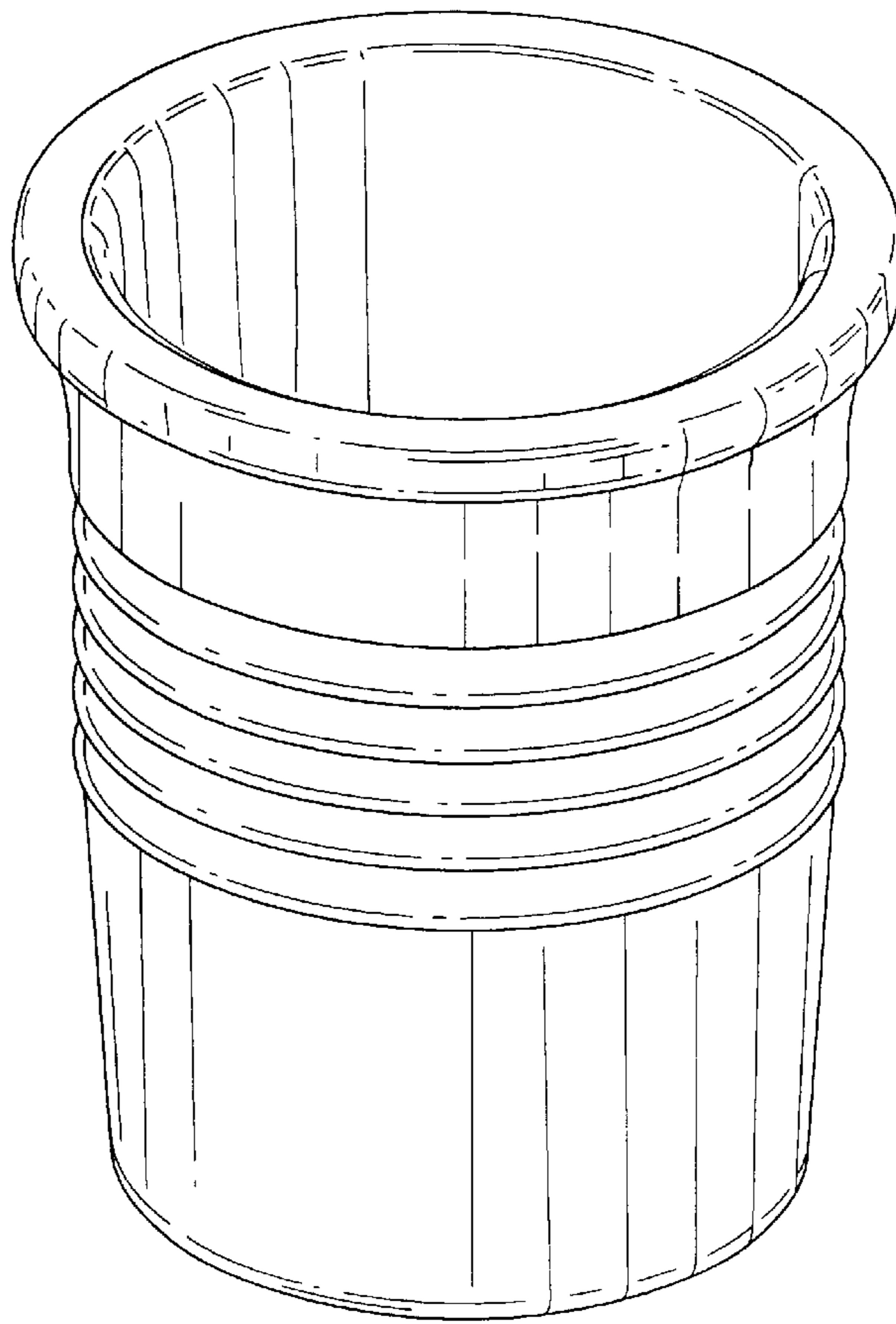


FIG. 1

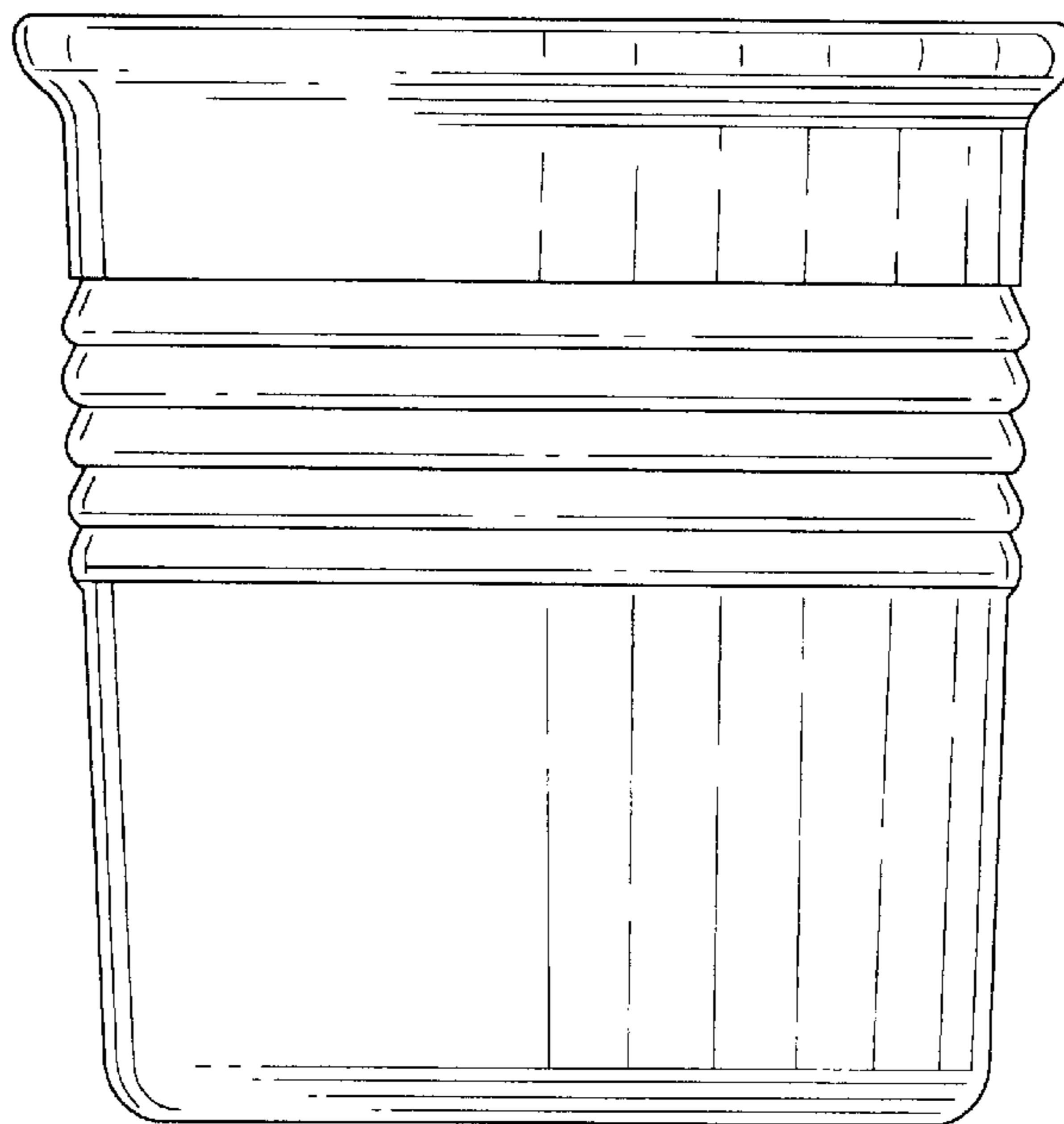


FIG. 2

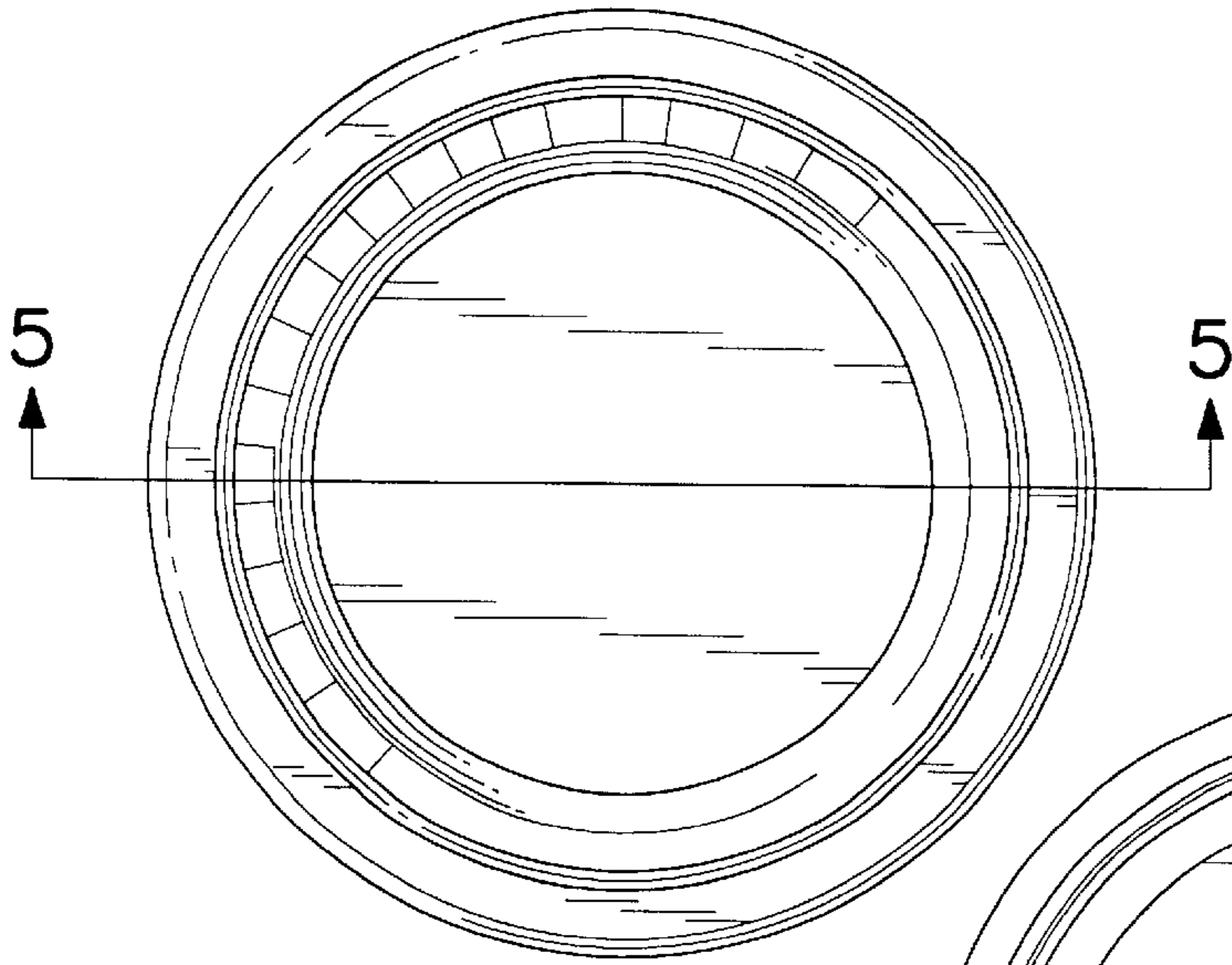


FIG. 3

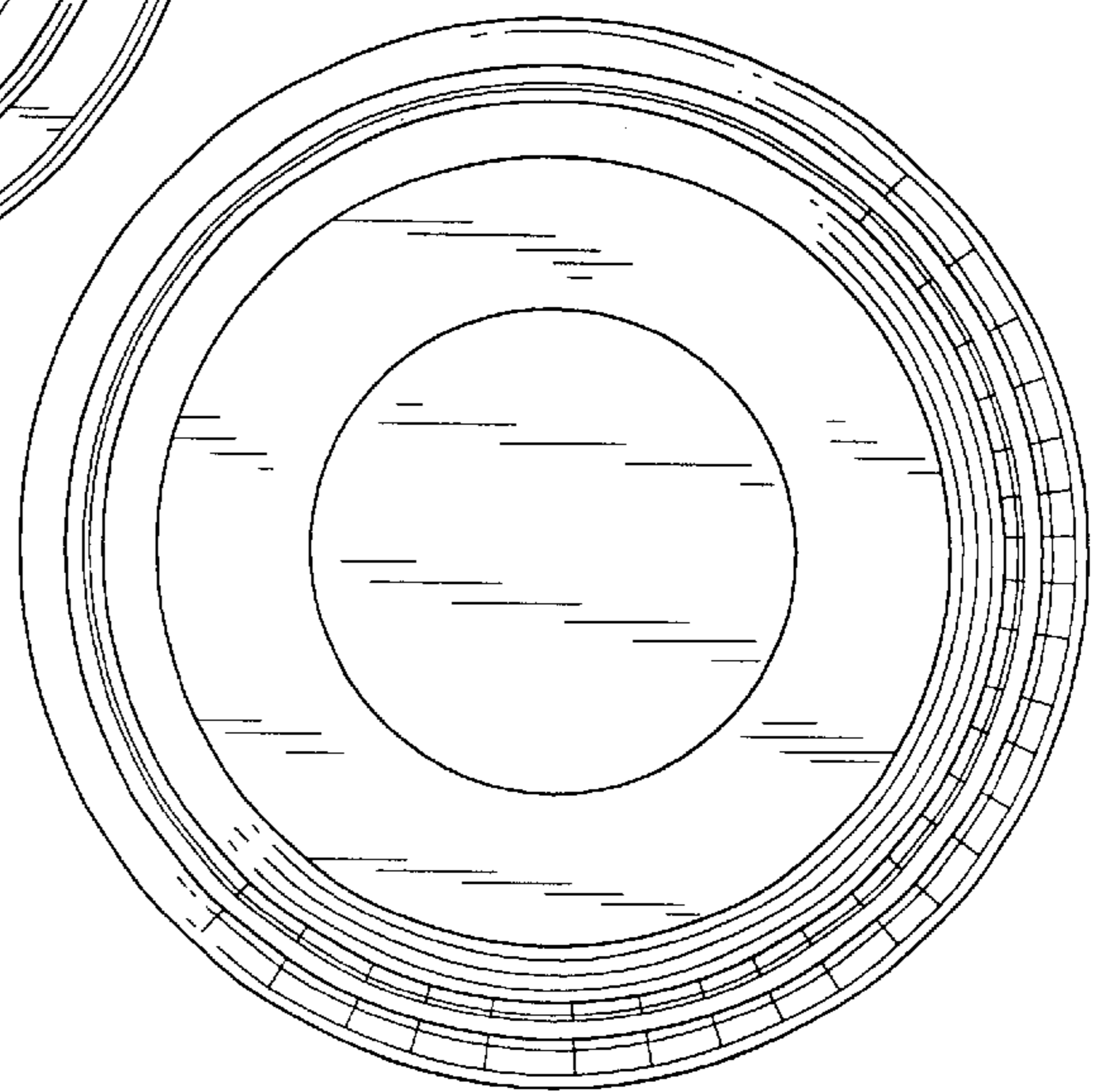


FIG. 4

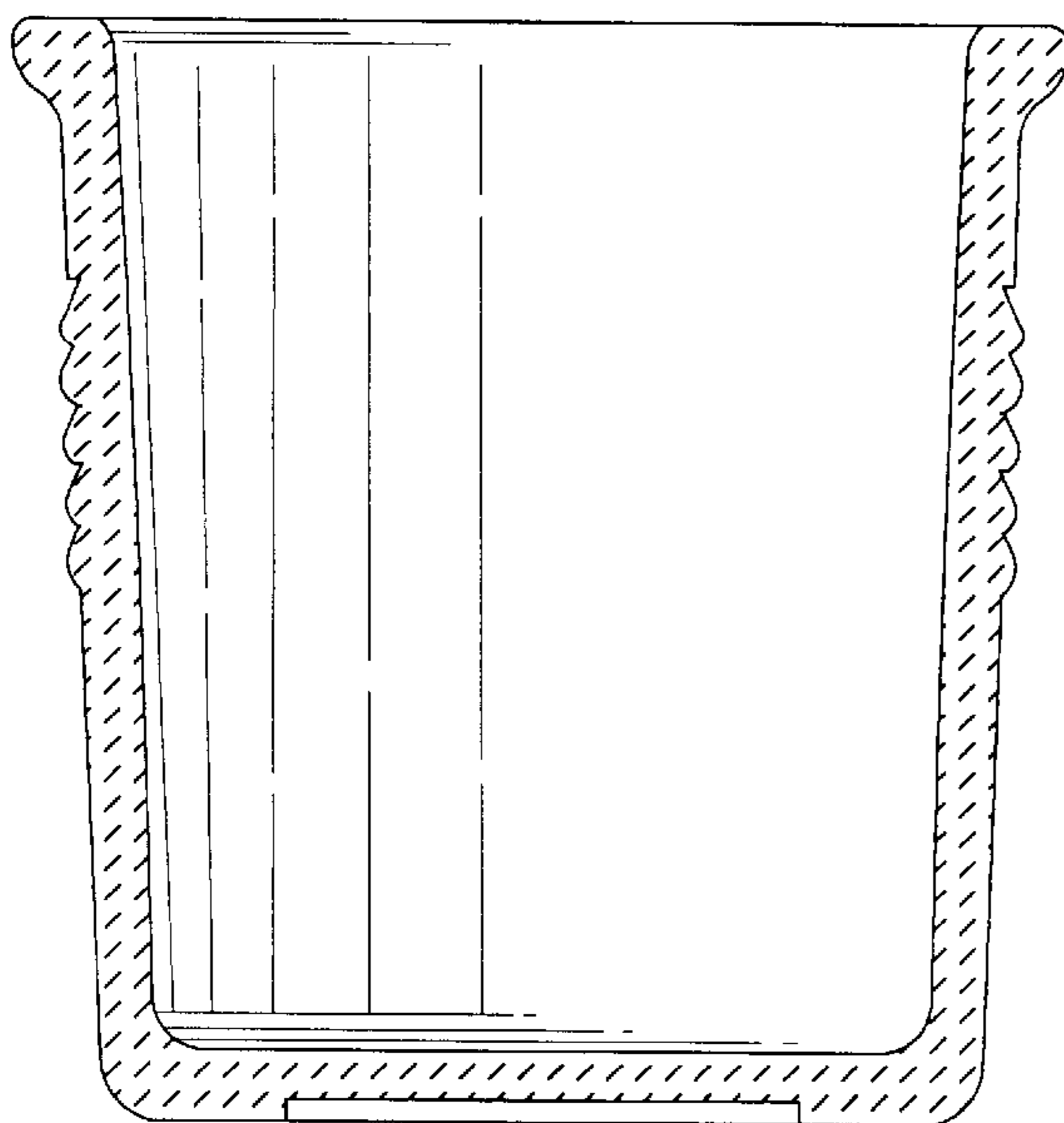


FIG. 5

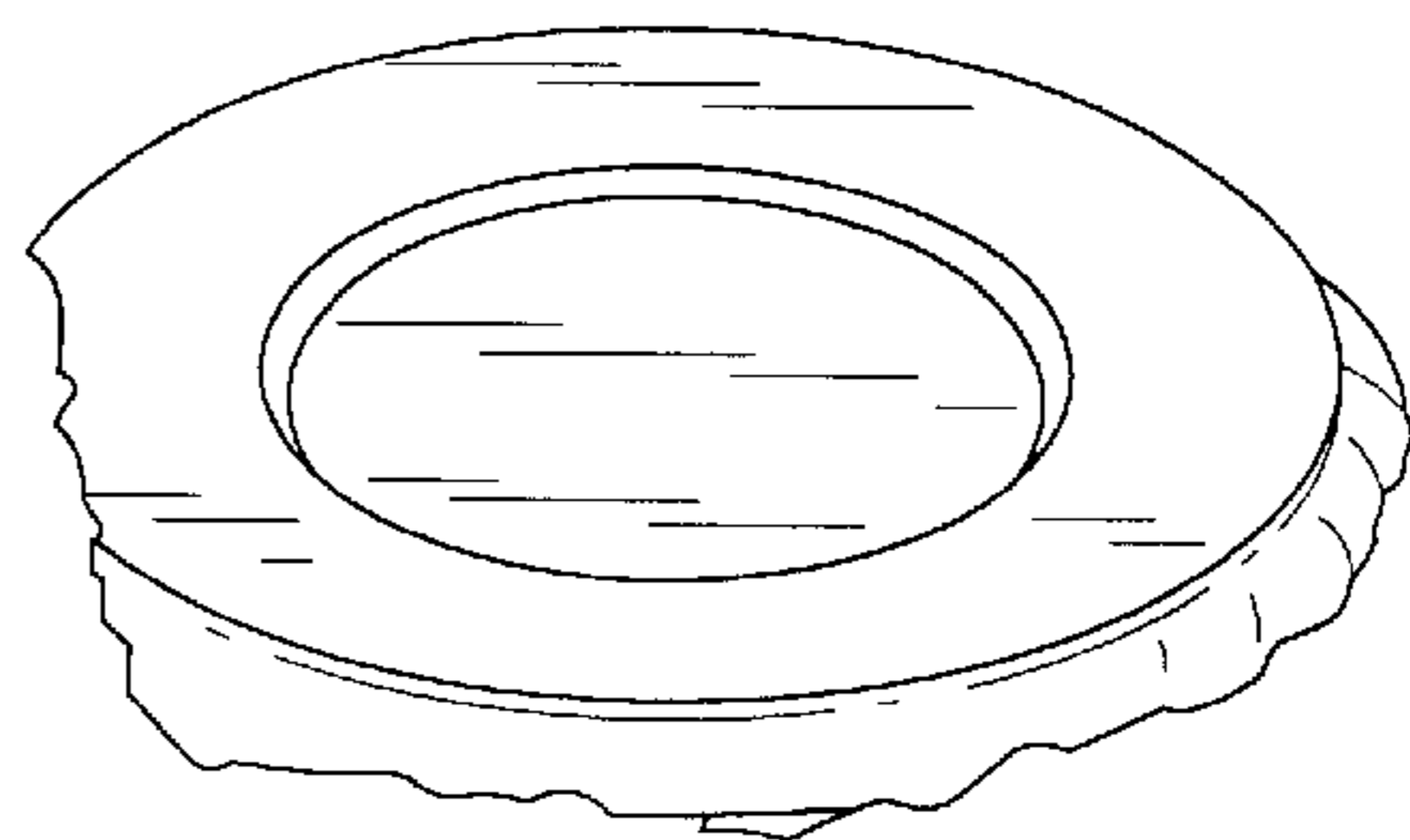


FIG. 6

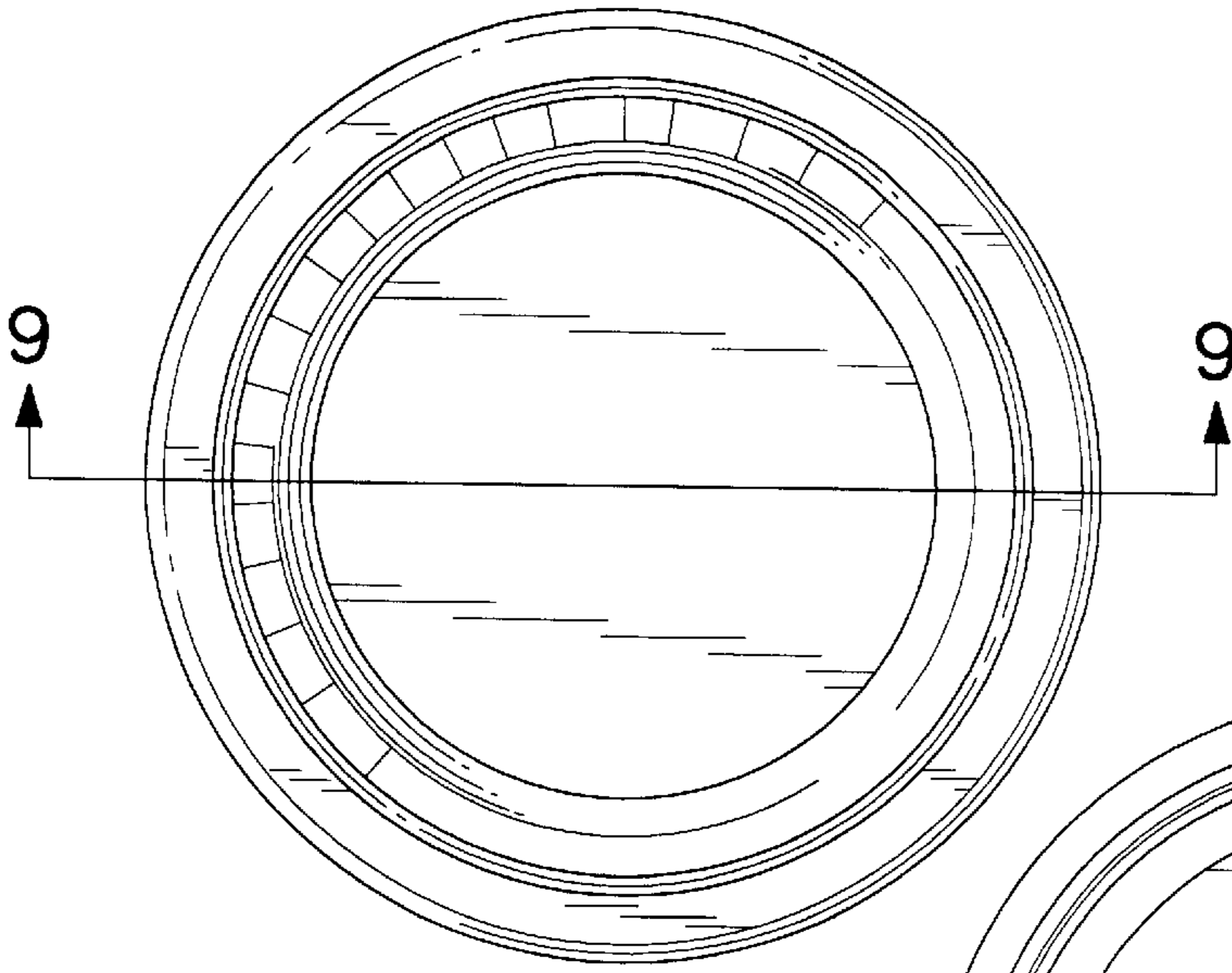


FIG. 7

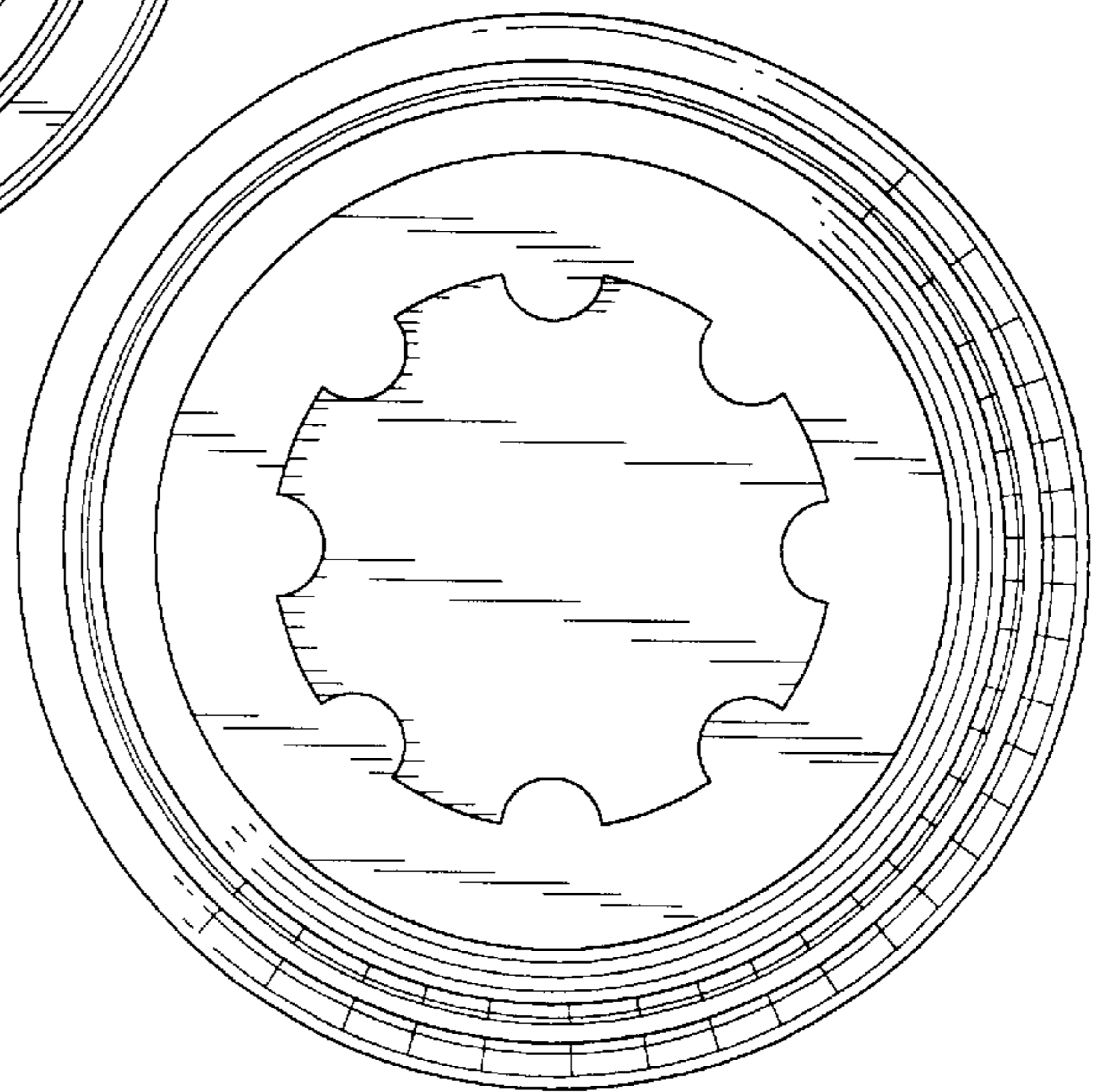


FIG. 8

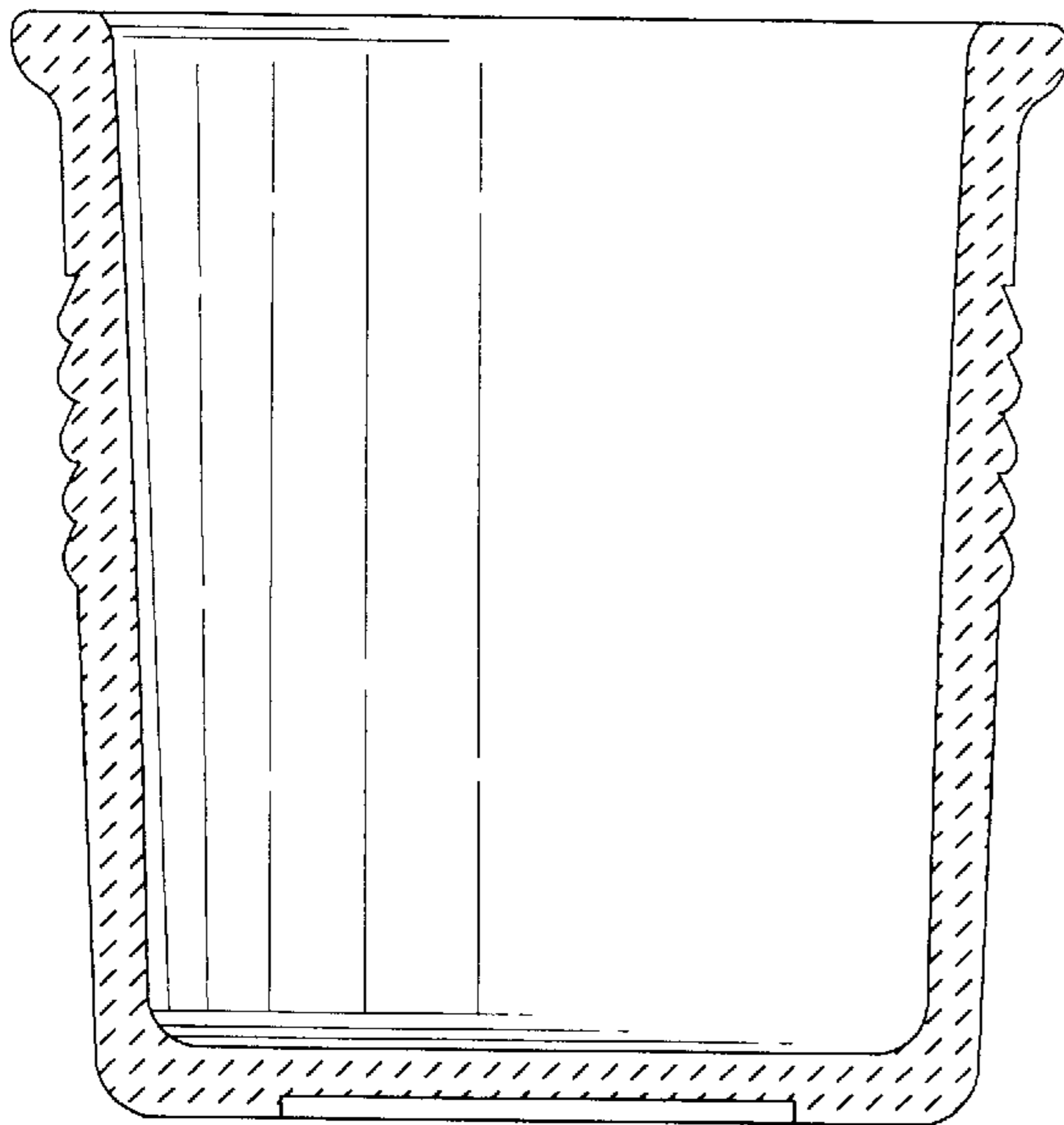


FIG. 9

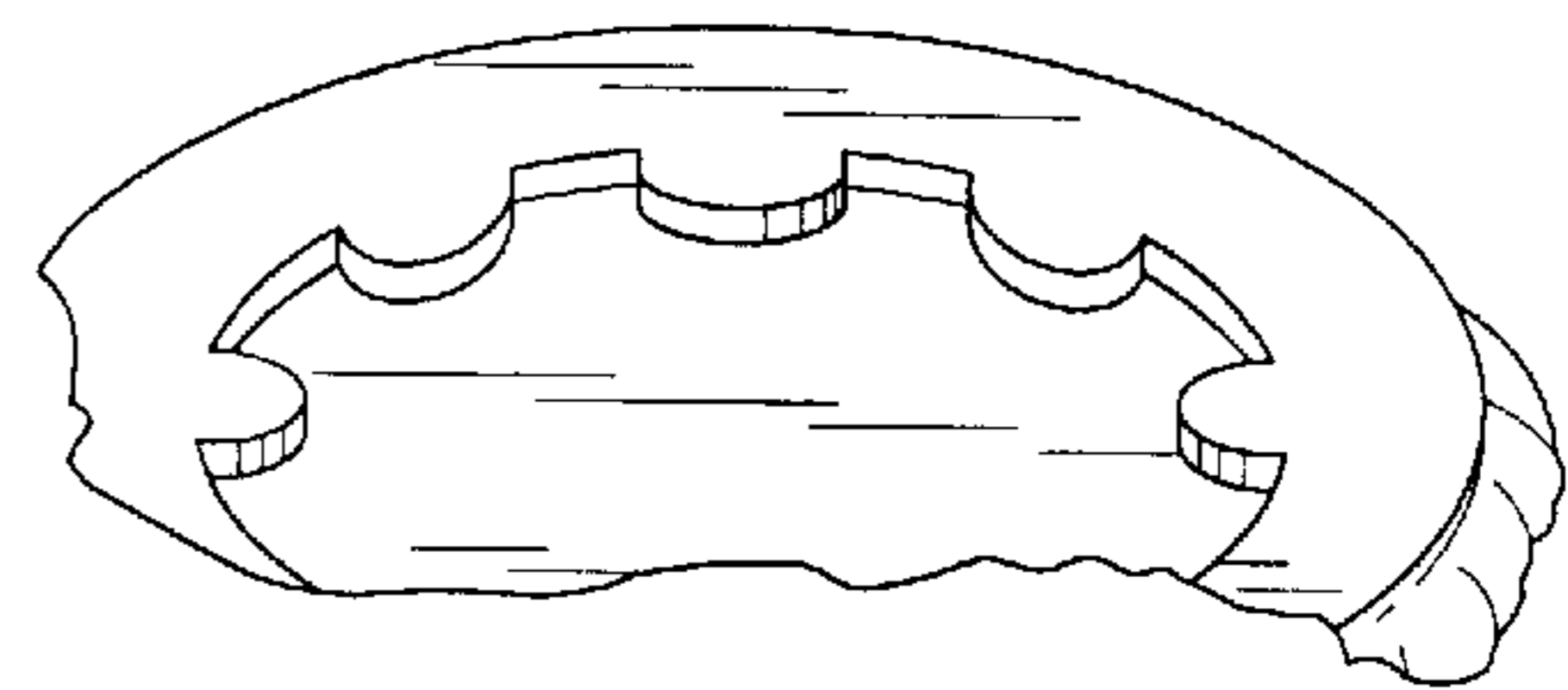


FIG. 10

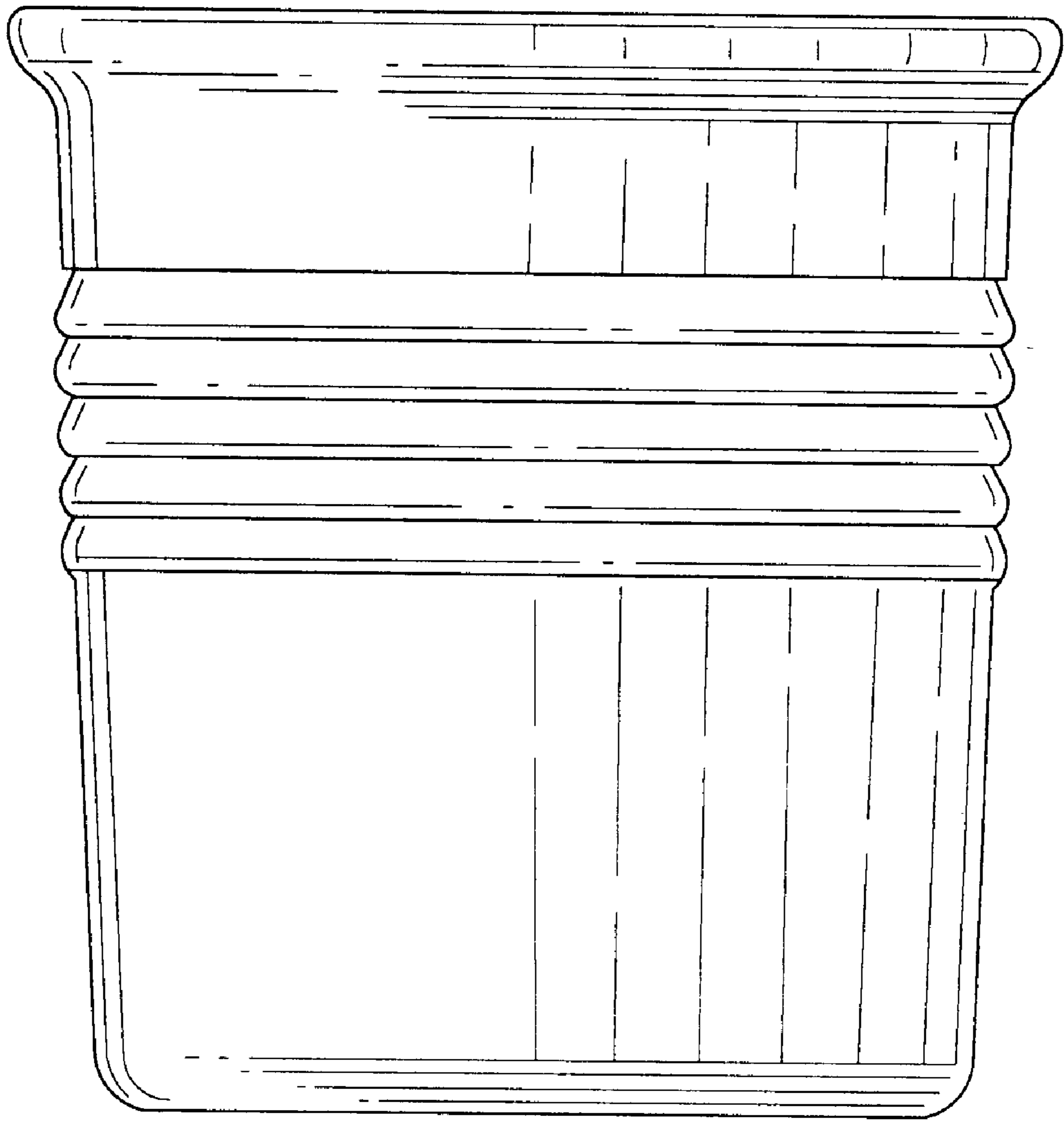


FIG. 11