



US00D481581S

(12) **United States Design Patent**
Pearlman et al.

(10) **Patent No.:** **US D481,581 S**
(45) **Date of Patent:** **** Nov. 4, 2003**

(54) **COMBINATION FOOD PREPARATION AND SELF-SERVE DELIVERY SYSTEM**

(75) Inventors: **Wade Pearlman**, Oakhurst, NJ (US);
Richard L. Poland, Cranford, NJ (US)

(73) Assignee: **Creative Serving Incorporated**, Union, NJ (US)

(**) Term: **14 Years**

(21) Appl. No.: **29/164,909**

(22) Filed: **Aug. 1, 2002**

(51) **LOC (7) Cl.** **07-02**

(52) **U.S. Cl.** **D7/323**

(58) **Field of Search** D7/323-332; 219/385,
219/209, 210, 411, 387, 214; 99/379, 385,
372, 468; D6/471, 474, 476

(56) **References Cited**

U.S. PATENT DOCUMENTS

| | | | |
|-------------|-----------|---------------|----------|
| 1,682,827 A | 3/1928 | Brand | 186/38 |
| D239,690 S | * 4/1976 | Kumpfer | D7/323 |
| D241,220 S | * 8/1976 | Binzer | D7/323 |
| 4,093,041 A | 6/1978 | Davis et al. | 219/385 |
| 4,208,972 A | 6/1980 | Arend et al. | 108/184 |
| 4,241,650 A | * 12/1980 | John et al. | 99/372 |
| 4,285,391 A | 8/1981 | Bourner | 165/61 |
| D264,031 S | 4/1982 | Sorensen | D6/471 |
| 4,343,985 A | 8/1982 | Wilson et al. | 219/214 |
| 4,476,848 A | 10/1984 | Protas | 126/19 M |
| 5,203,255 A | 4/1993 | Wells et al. | 99/468 |
| D352,192 S | 11/1994 | Gelinas | D6/474 |
| 5,434,385 A | * 7/1995 | Biery et al. | 219/385 |
| 5,464,279 A | 11/1995 | Wells et al. | 312/128 |
| 5,553,934 A | 9/1996 | Wells et al. | 312/128 |

| | | | |
|--------------|-----------|---------------|---------|
| 5,626,028 A | 5/1997 | Graat et al. | 62/252 |
| 5,771,789 A | 6/1998 | Davis | 99/468 |
| D398,461 S | 9/1998 | Baluk et al. | D6/476 |
| D398,462 S | 9/1998 | Baluk et al. | D6/476 |
| D415,923 S | * 11/1999 | Hermansson | D7/323 |
| 5,979,604 A | 11/1999 | Pinna et al. | 186/39 |
| 6,034,355 A | 3/2000 | Naderi et al. | 219/387 |
| 6,102,162 A | 8/2000 | Teicher | 186/39 |
| 6,111,224 A | 8/2000 | Witt | 219/385 |
| 6,140,611 A | 10/2000 | Penard | 219/385 |
| 6,179,434 B1 | 1/2001 | Saraji | 362/125 |
| D444,314 S | 7/2001 | Cox | D6/436 |
| 6,358,548 B1 | 3/2002 | Ewald et al. | 426/418 |

* cited by examiner

Primary Examiner—Catherine R. Oliver

(74) *Attorney, Agent, or Firm*—Lerner, David, Littenberg, Krumholz & Mentlik, LLP

(57) **CLAIM**

The ornamental design for a combination food preparation and self-serve delivery system, as shown and described.

DESCRIPTION

FIG. 1 is a perspective view of a food preparation and self-serve delivery system showing our new design; FIG. 2 is a front elevational view thereof; FIG. 3 is a rear elevational view thereof; FIG. 4 is a right-side elevational view thereof, the left-side elevational view being the mirror image thereof; and, FIG. 5 is a top plan view thereof.

The broken lines showing a rear food preparation section, control knobs, feet, a front self-serve compartment and rack in the front self-serve compartment are for illustrative purposes only and form no part of the claimed design.

1 Claim, 3 Drawing Sheets

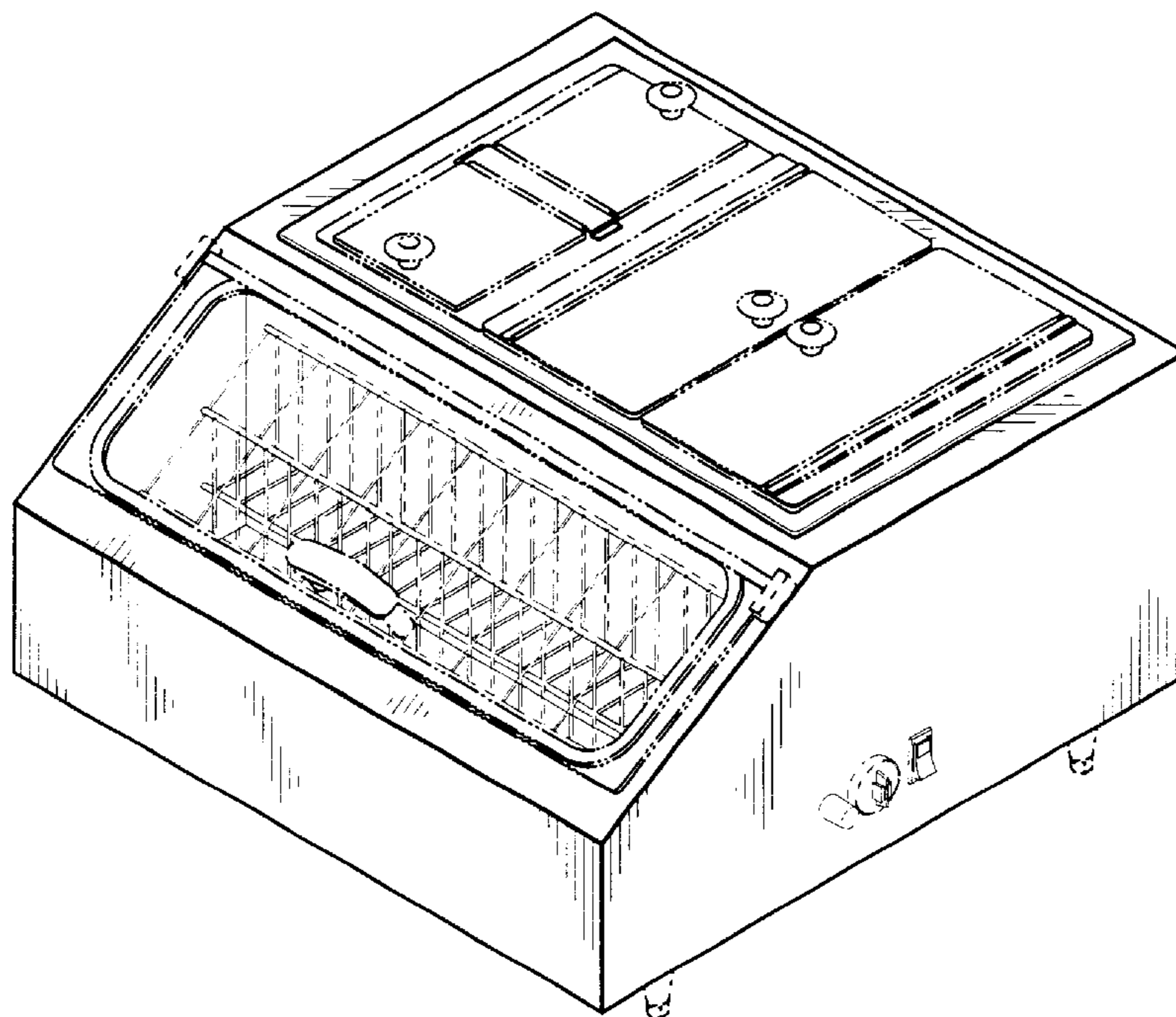


FIG. 1

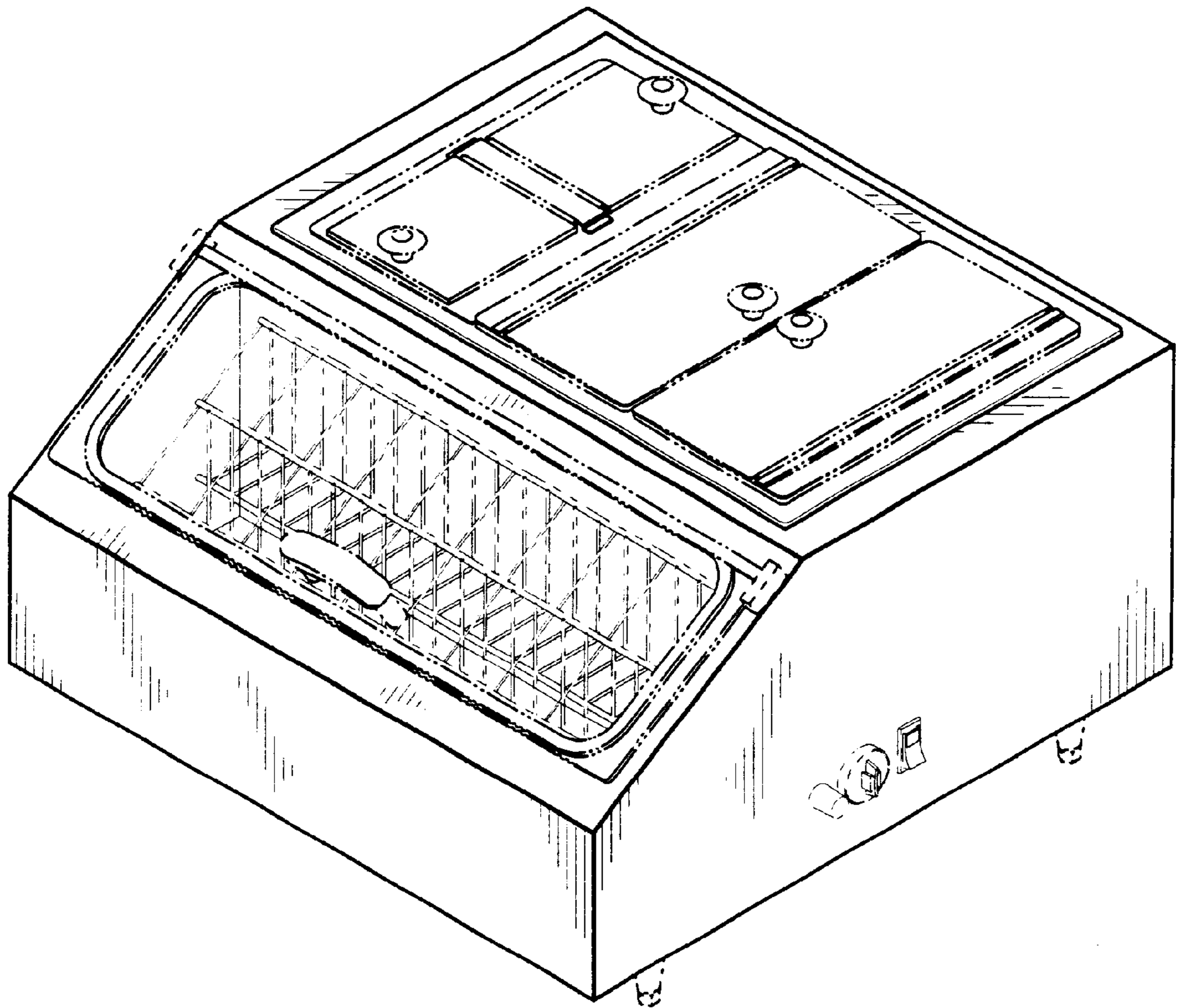


FIG. 2

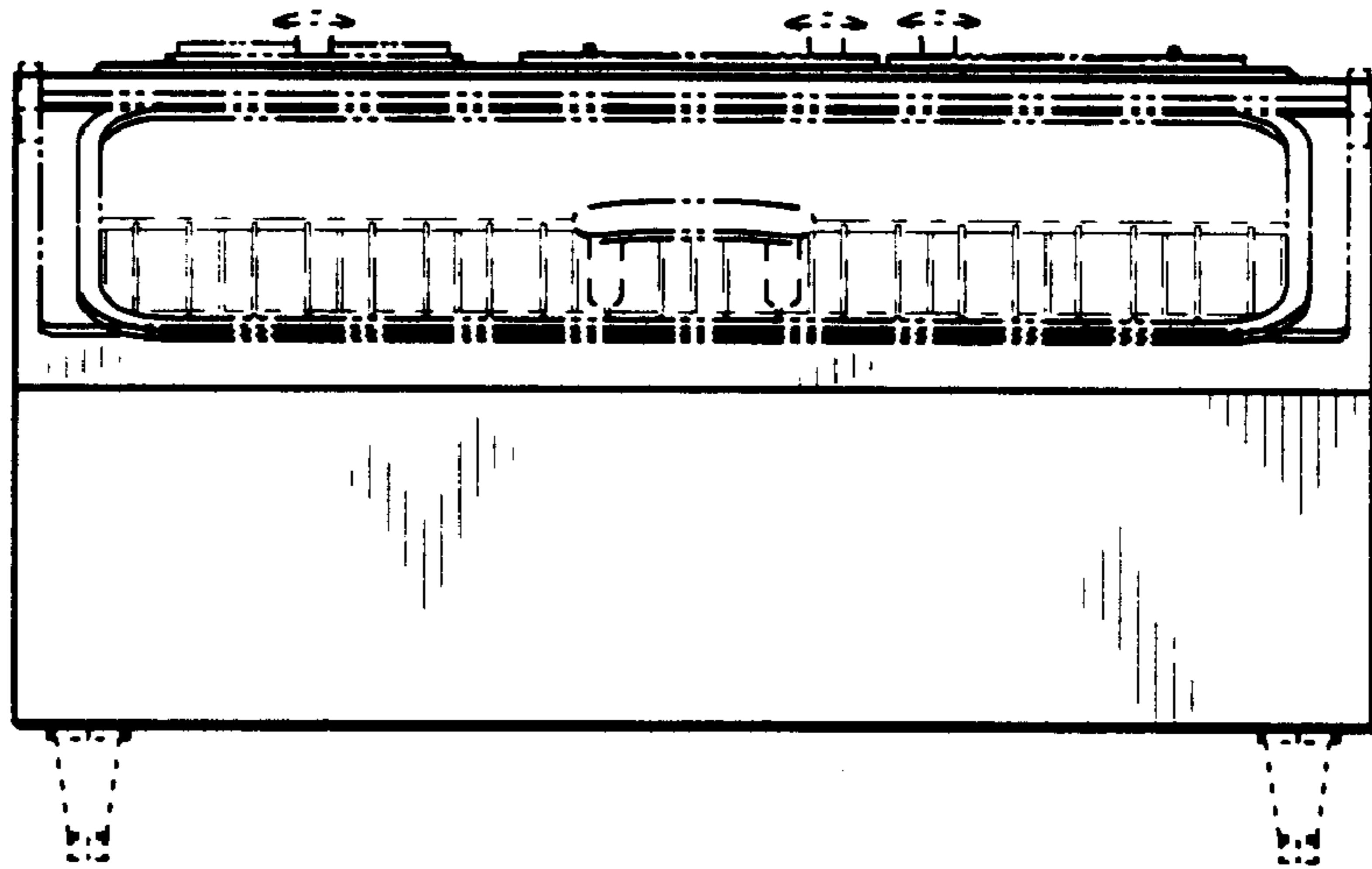


FIG. 3

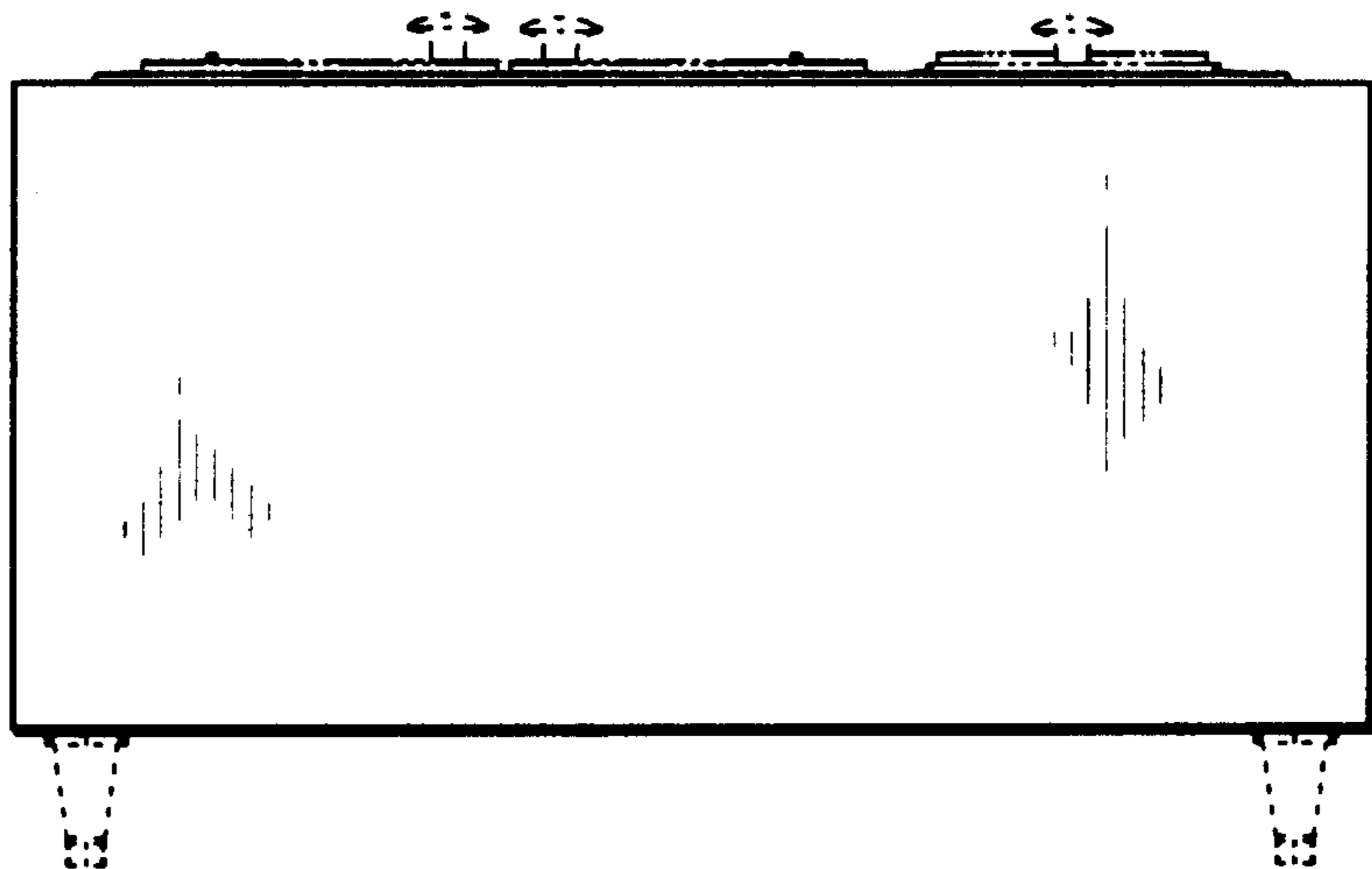


FIG. 4

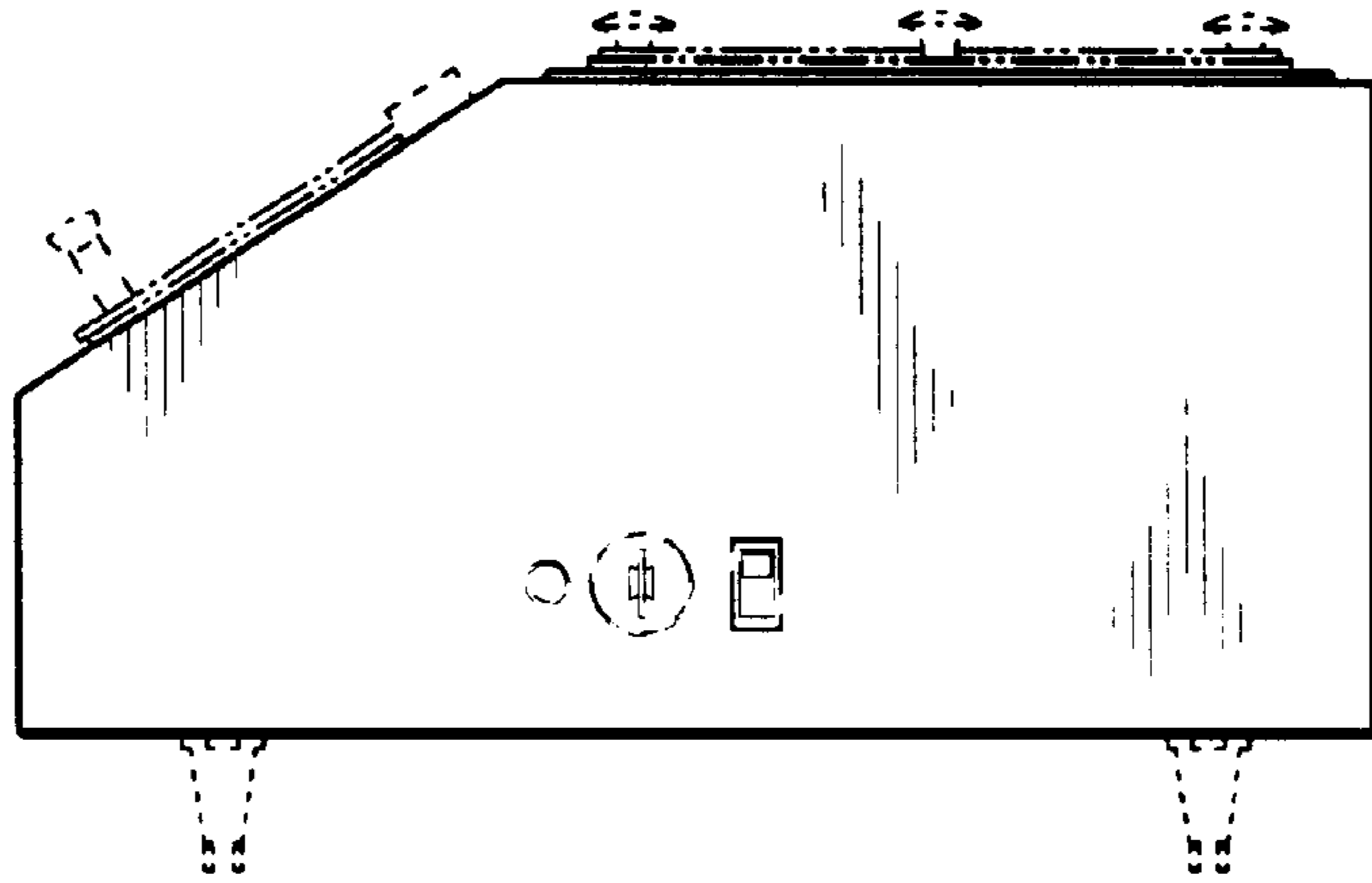


FIG. 5

