



US00D481575S

(12) **United States Design Patent**  
**Steinberg**

(10) **Patent No.:** **US D481,575 S**

(45) **Date of Patent:** **\*\* Nov. 4, 2003**

(54) **SLAT FOR VENETIAN BLINDS**

(75) Inventor: **Howard L. Steinberg**, Suffern, NY (US)

(73) Assignee: **Hunter Douglas Inc.**, Upper Saddle River, NJ (US)

(\*\*) Term: **14 Years**

(21) Appl. No.: **29/160,200**

(22) Filed: **May 6, 2002**

(51) **LOC (7) Cl.** ..... **06-10**

(52) **U.S. Cl.** ..... **D6/580**

(58) **Field of Search** ..... D6/575, 577, 580;  
160/166.1, 167 R, 168.1, 174 R; D25/138,  
139

(56) **References Cited**

**U.S. PATENT DOCUMENTS**

|              |   |         |                  |       |         |
|--------------|---|---------|------------------|-------|---------|
| D355,092 S   | * | 2/1995  | Swopes           | ..... | D6/580  |
| D366,174 S   | * | 1/1996  | Knuteson         | ..... | D6/580  |
| D409,869 S   | * | 5/1999  | Marusak          | ..... | D6/577  |
| 6,186,457 B1 | * | 2/2001  | Carter           | ..... | 248/251 |
| D464,518 S   | * | 10/2002 | Griffiths et al. | ..... | D6/580  |

\* cited by examiner

*Primary Examiner*—Robin V. Taylor

(74) *Attorney, Agent, or Firm*—Dorsey & Whitney LLP

(57) **CLAIM**

I claim the ornamental design for a slat for venetian blinds.

**DESCRIPTION**

FIG. 1 is an isometric view looking downwardly at the front of the slat for venetian blinds.

FIG. 2 is an isometric view similar to FIG. 1 with the slat having been rotated through 90 degrees.

FIG. 3 is an isometric view of the rear of the slat.

FIG. 4 is a left side elevation of the slat.

FIG. 5 is a front elevation of the slat.

FIG. 6 is a bottom plan view of the slat;

FIG. 7 is a right side elevation of the slat.

FIG. 8 is a rear view of the slat.

FIG. 9 is a top view of the slat.

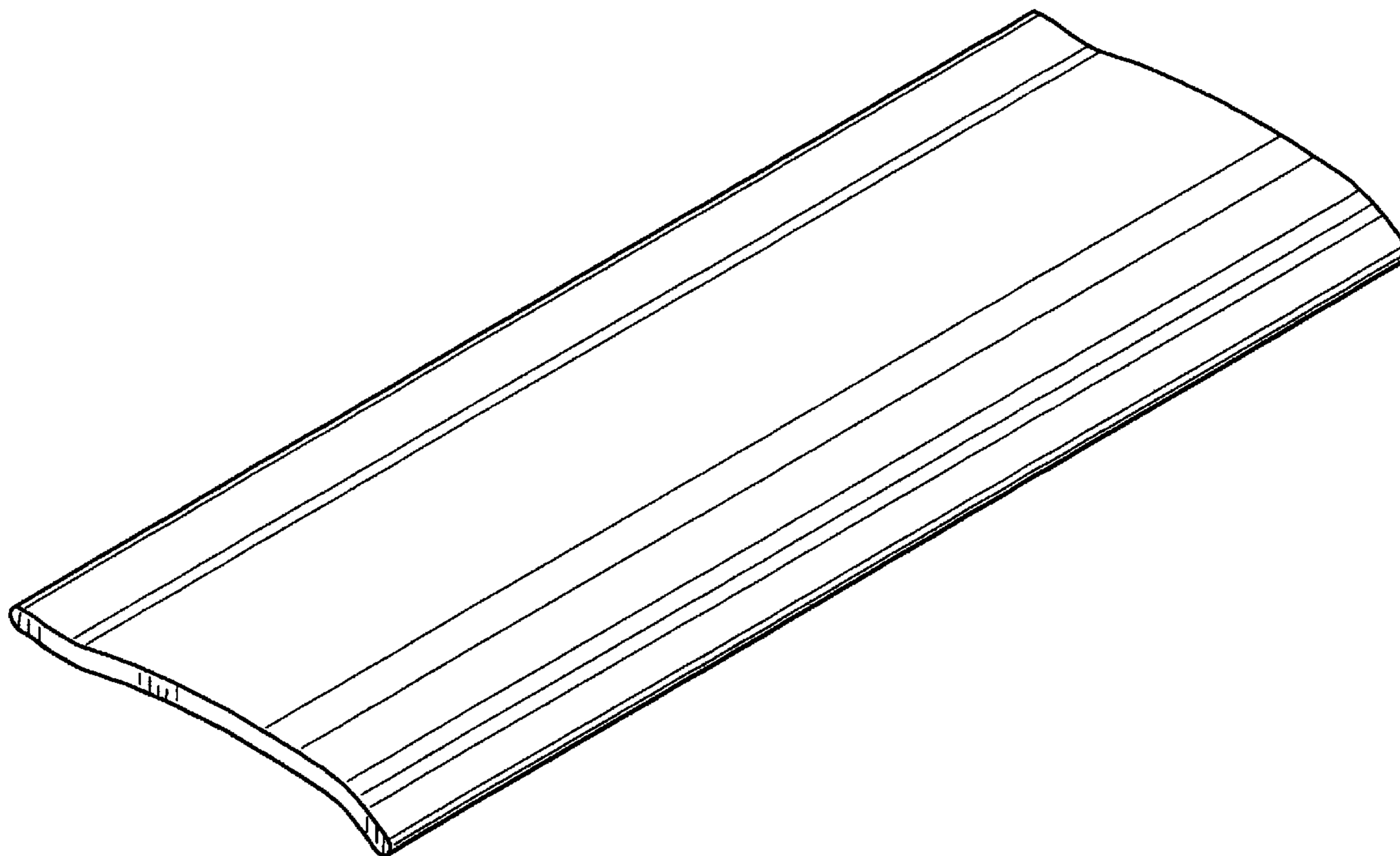
FIG. 10 is an isometric view of the slat, shown assembled in a venetian blind in an open position.

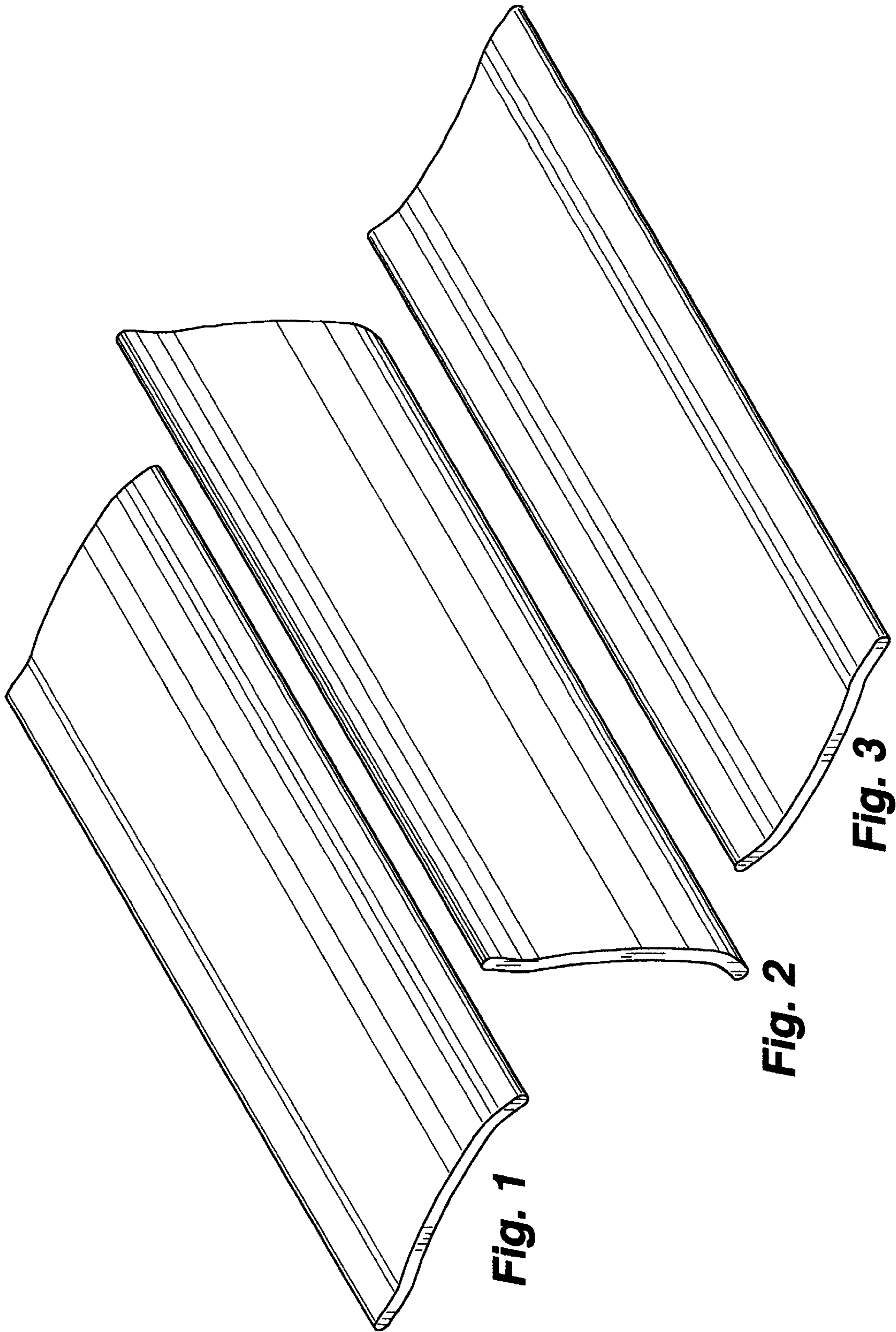
FIG. 11 is an isometric view similar to FIG. 10 only in closed position; and,

FIG. 12 is a left-side elevation view shown assembled in a venetian blind in an open but retracted position.

The broken line showing is for illustrative purposes only and forms no part of the claim design.

**1 Claim, 3 Drawing Sheets**

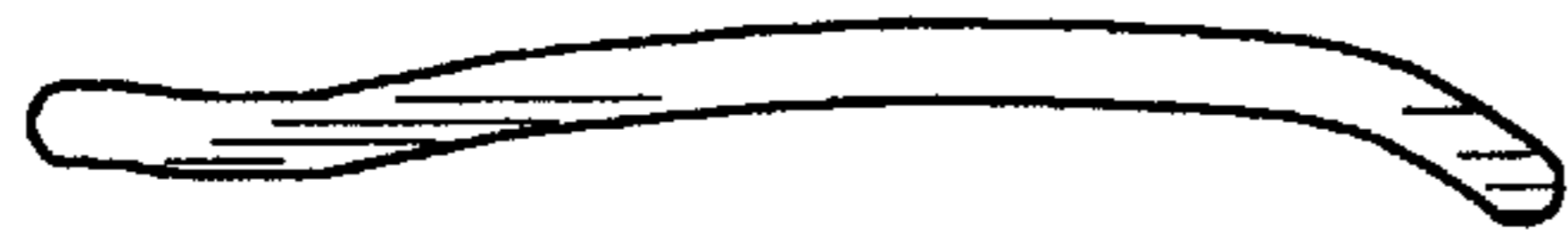




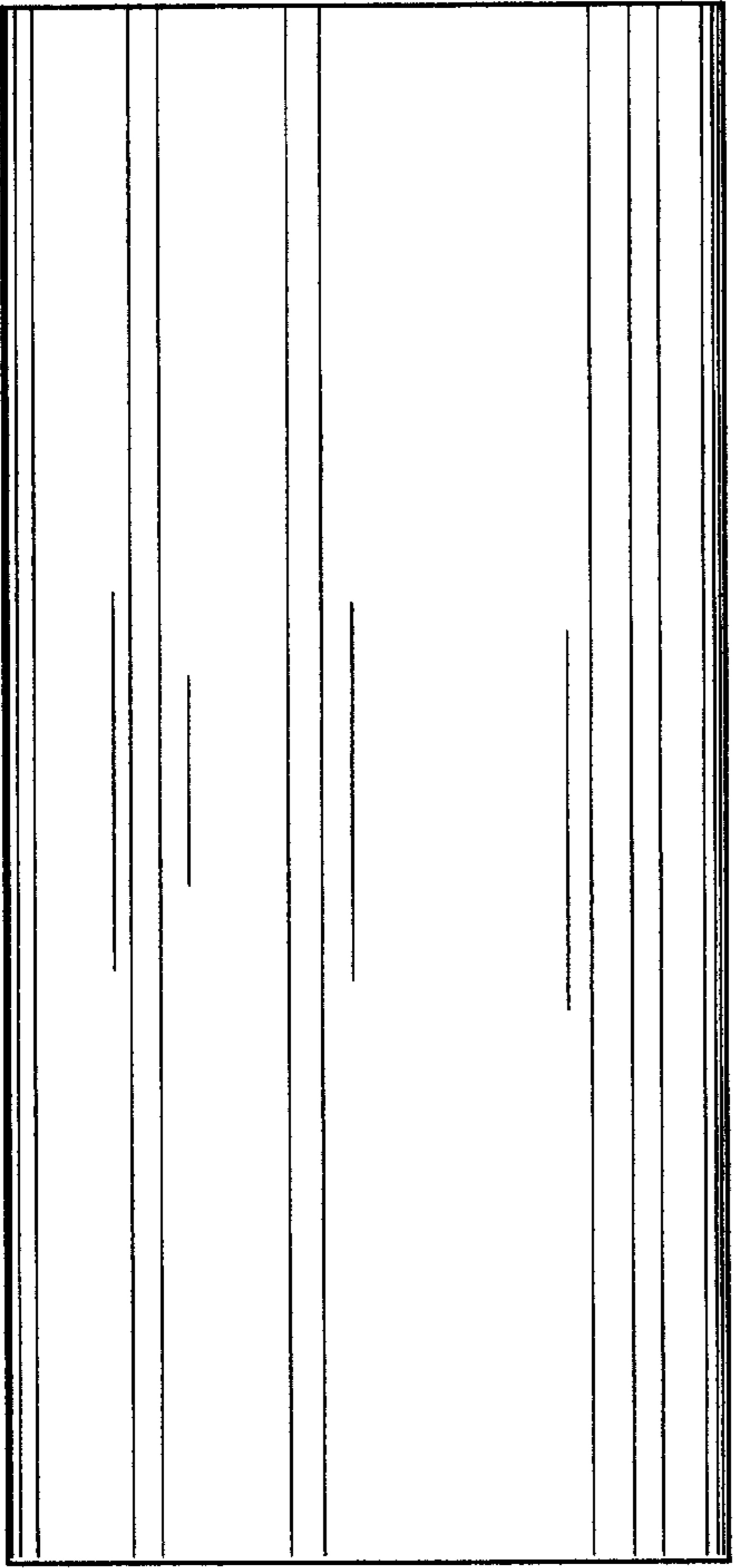
**Fig. 1**

**Fig. 2**

**Fig. 3**



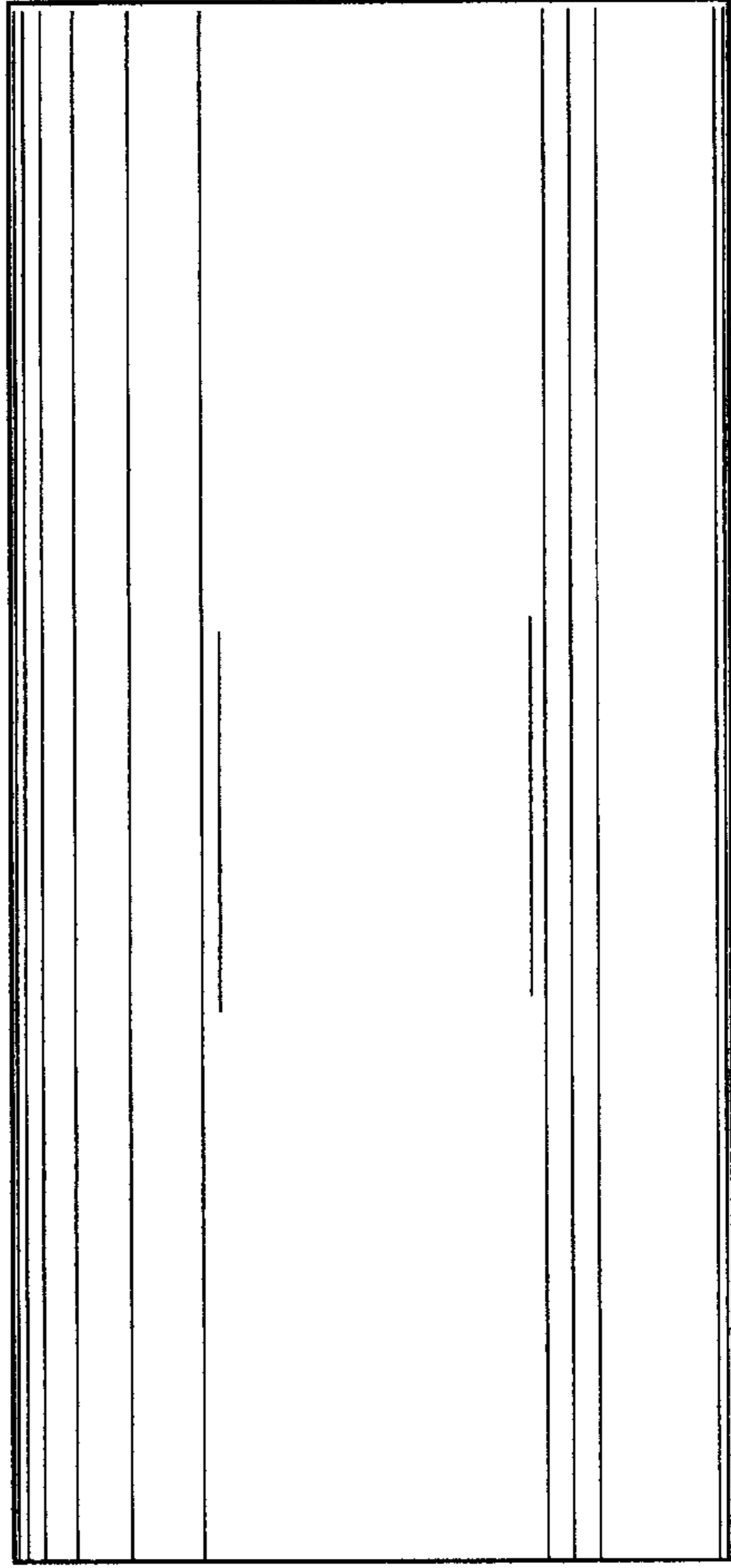
**Fig. 4**



**Fig. 5**



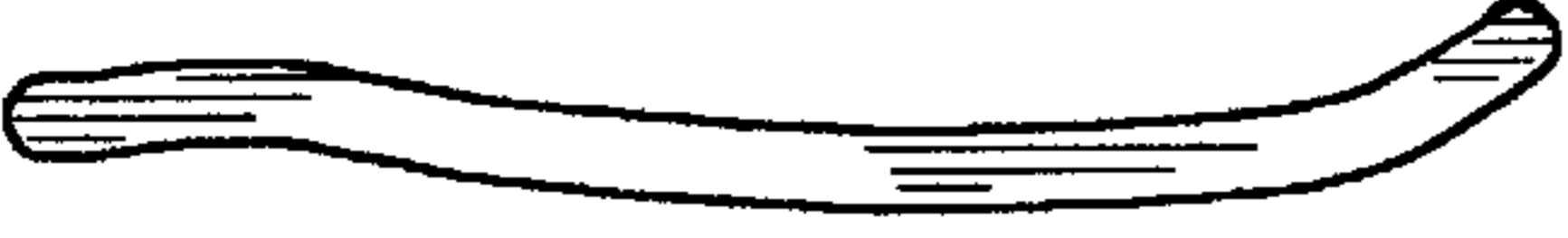
**Fig. 6**



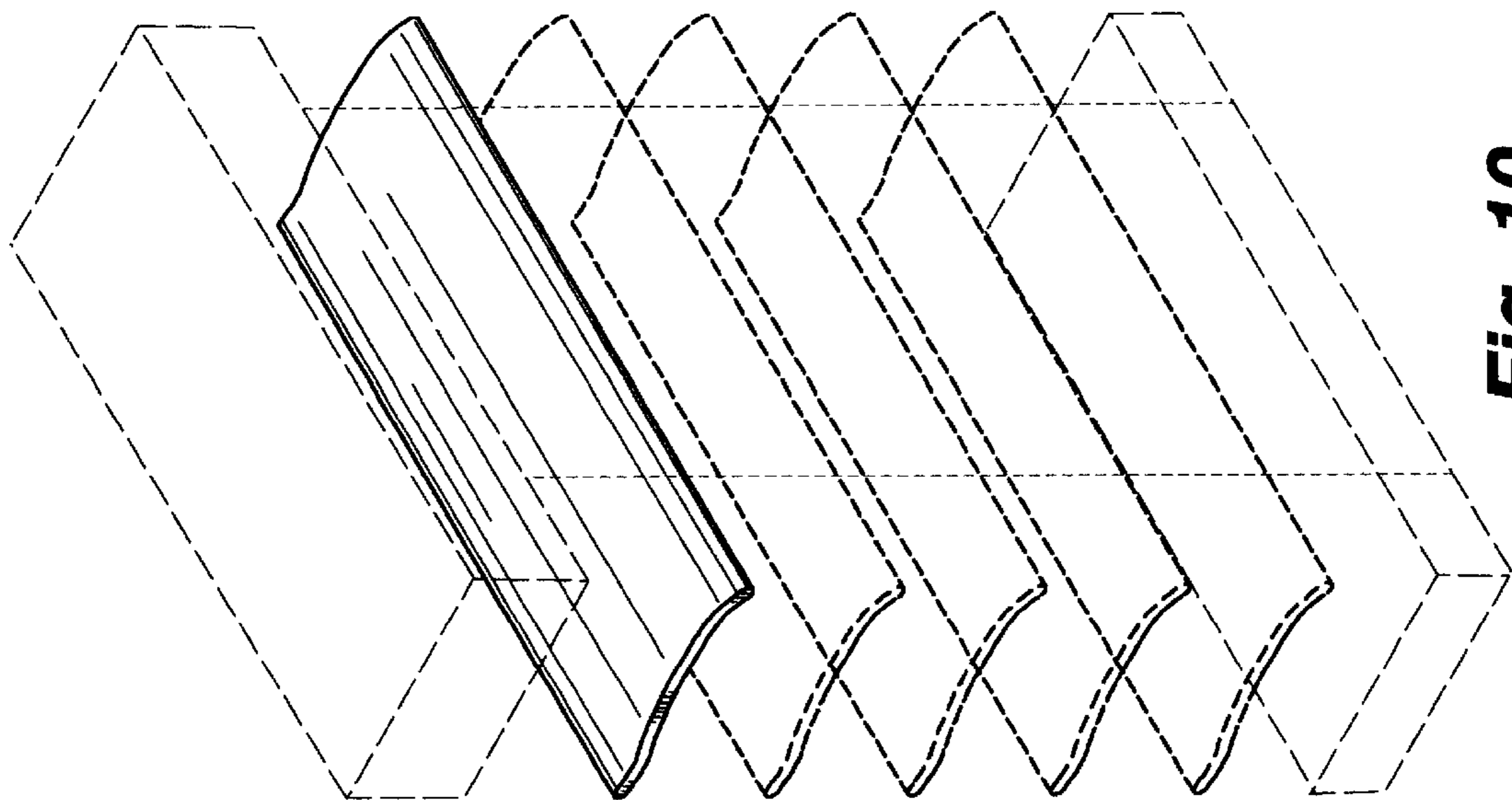
**Fig. 8**



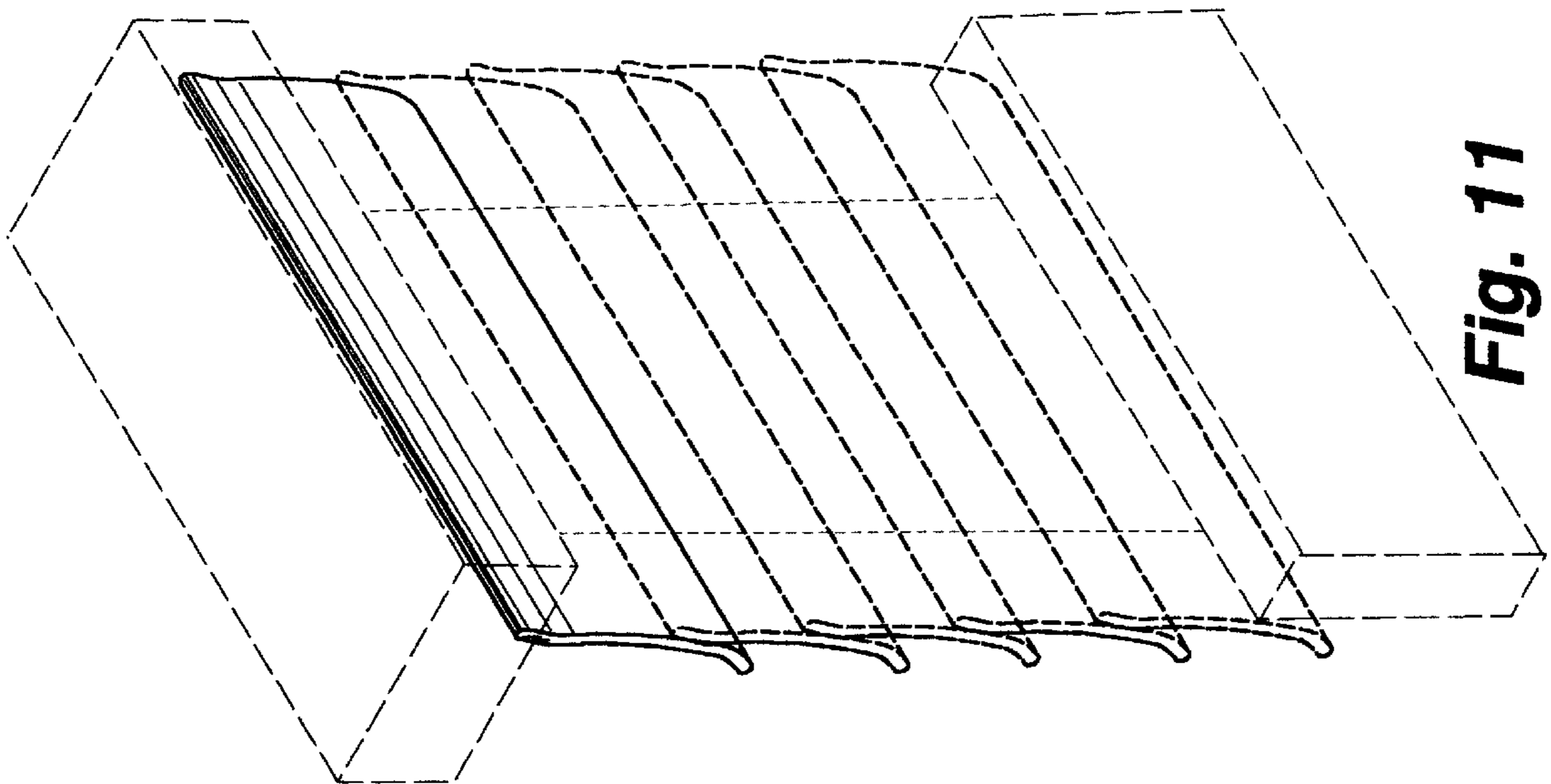
**Fig. 9**



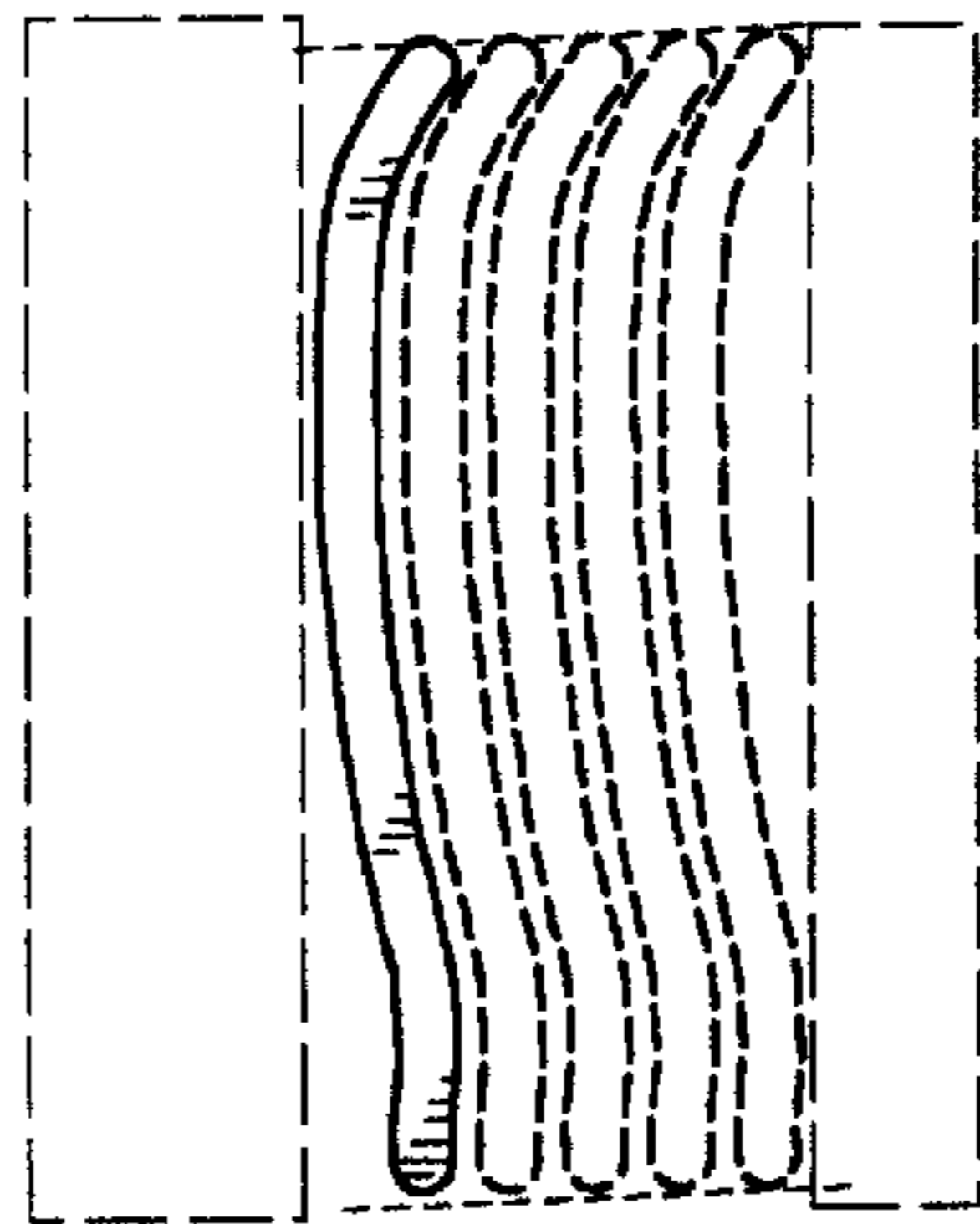
**Fig. 7**



**Fig. 10**



**Fig. 11**



**Fig. 12**