



US00D481574S

(12) **United States Design Patent**
Snell

(10) **Patent No.:** **US D481,574 S**

(45) **Date of Patent:** **** Nov. 4, 2003**

(54) **BOWL BRUSH BASE**

D467,112 S * 12/2002 Lin D6/551

(75) Inventor: **Russell Benton Snell**, Bentleyville, OH (US)

* cited by examiner

(73) Assignee: **InterDesign, Inc.**, Solon, OH (US)

Primary Examiner—Brian N. Vinson
(74) *Attorney, Agent, or Firm*—D. Peter Hochberg; Katherine R. Vieyra; Sean Mellino

(**) Term: **14 Years**

(57) **CLAIM**

(21) Appl. No.: **29/177,072**

The ornamental design for a bowl brush base, as shown and described.

(22) Filed: **Mar. 4, 2003**

(51) **LOC (7) Cl.** **06-04**

(52) **U.S. Cl.** **D6/551**

(58) **Field of Search** D6/551, 524; 4/255.05; 206/349, 394; 211/13.1, 62.1, 65, 69.1; 312/206, 207

DESCRIPTION

(56) **References Cited**

U.S. PATENT DOCUMENTS

D264,782 S	*	6/1982	Thompson	D6/524
D315,989 S	*	4/1991	Levien	D4/137
D329,775 S	*	9/1992	Murphy	D6/551
D368,820 S	*	4/1996	Sander	D6/551
D407,933 S	*	4/1999	Douglas	D6/551
D424,306 S	*	5/2000	Strum et al.	D4/121
D458,068 S	*	6/2002	Hillman	D6/551

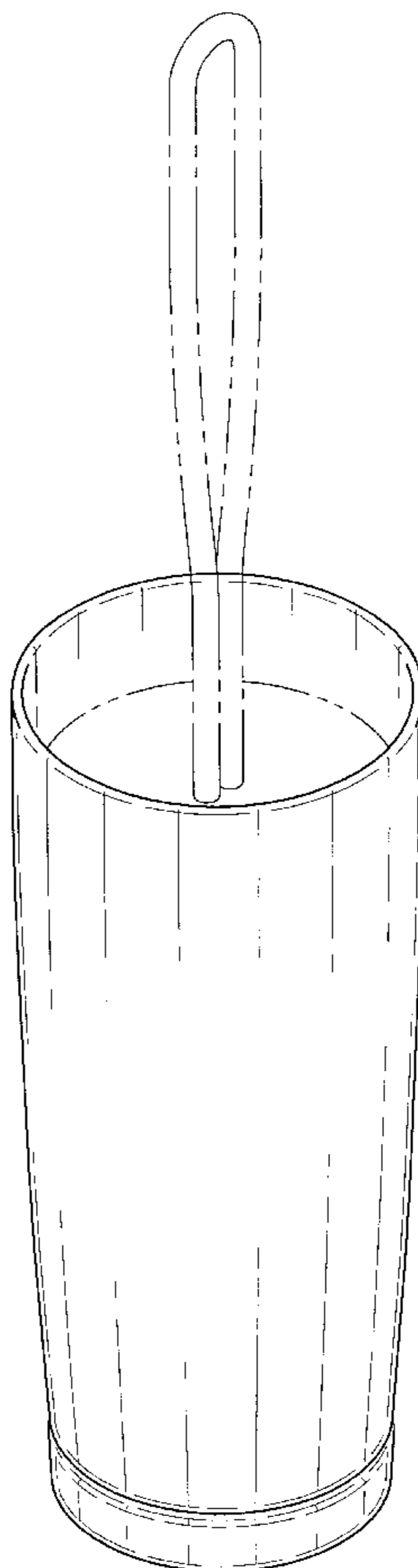
FIG. 1 is a perspective view of a brush base embodying this invention, with a phantom view of a brush handle extending from the base;

FIG. 2 is a front view of the brush base shown in FIG. 1, with a phantom view of the brush handle extending from the base; FIG. 3 is a top view of the brush base shown in FIG. 1, with a phantom view of the top of the brush handle within the base;

FIG. 4 is a side elevation view of the brush base shown in FIG. 1, with a phantom view of the brush handle extending from the base; and,

FIG. 5 is a bottom view of the brush base shown in FIG. 1.

1 Claim, 3 Drawing Sheets



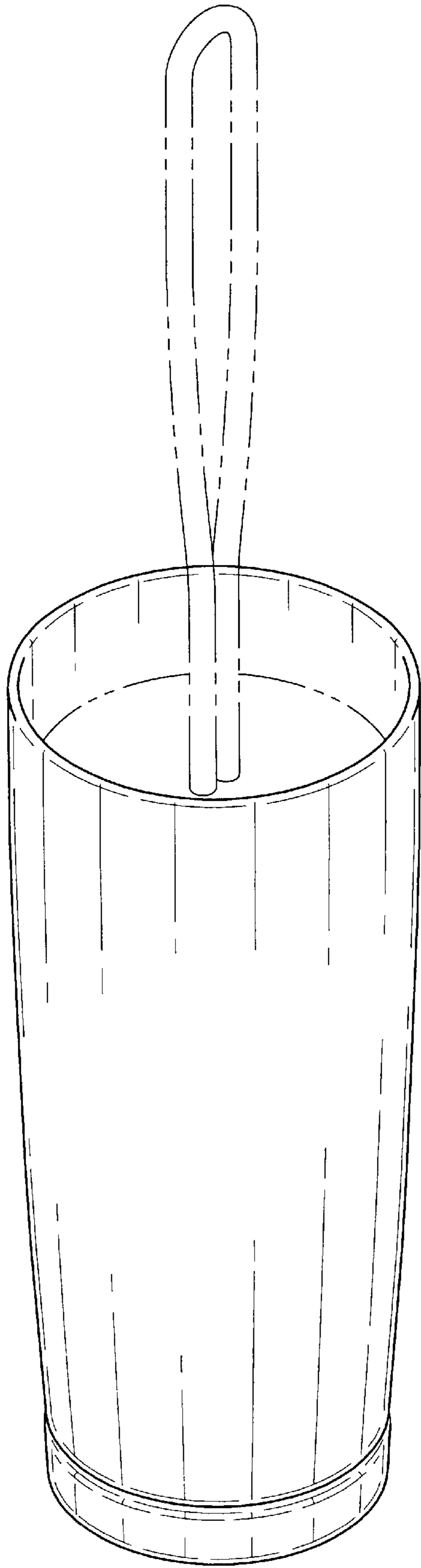


FIG-1

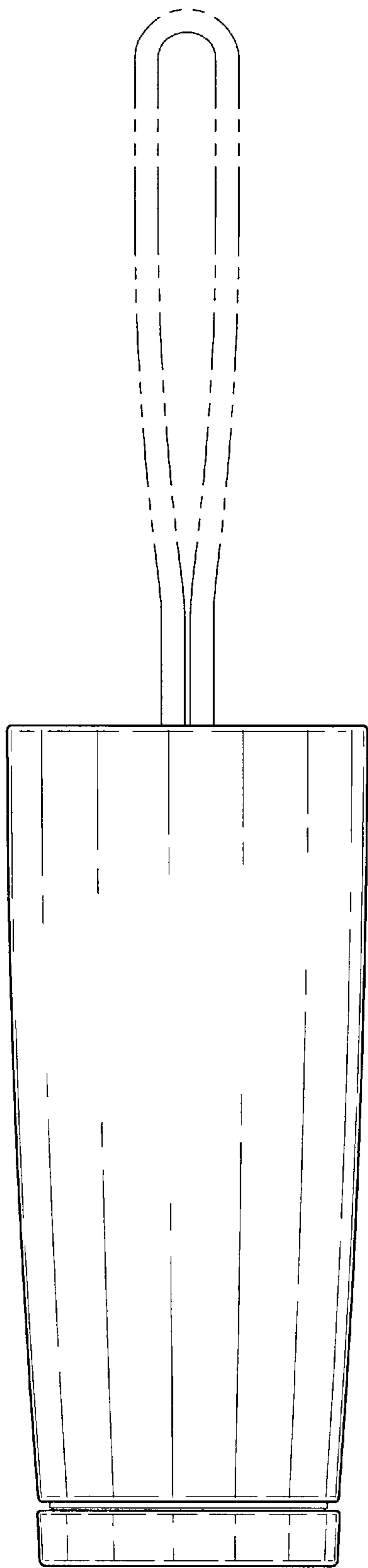


FIG-2

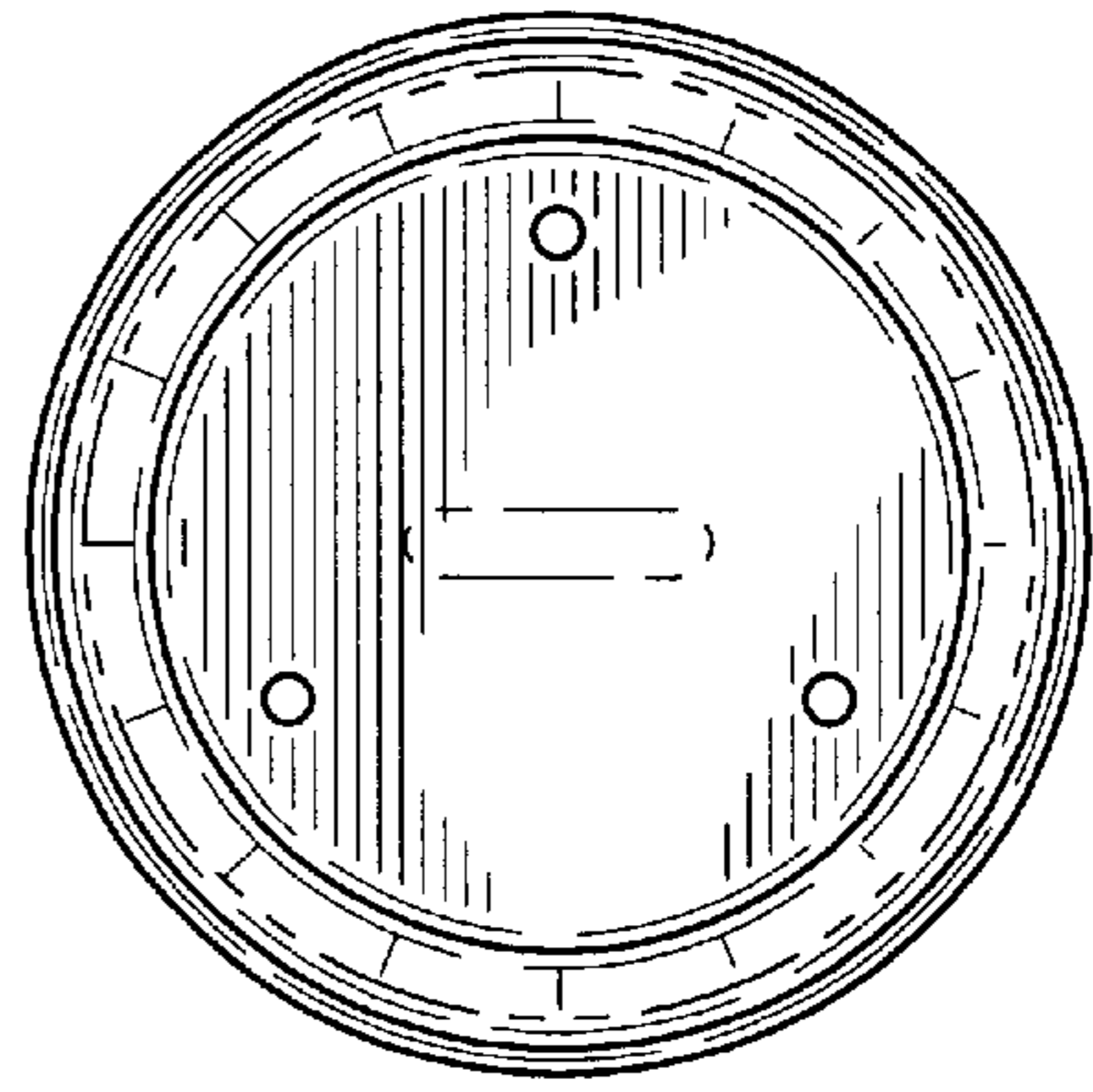


FIG-3

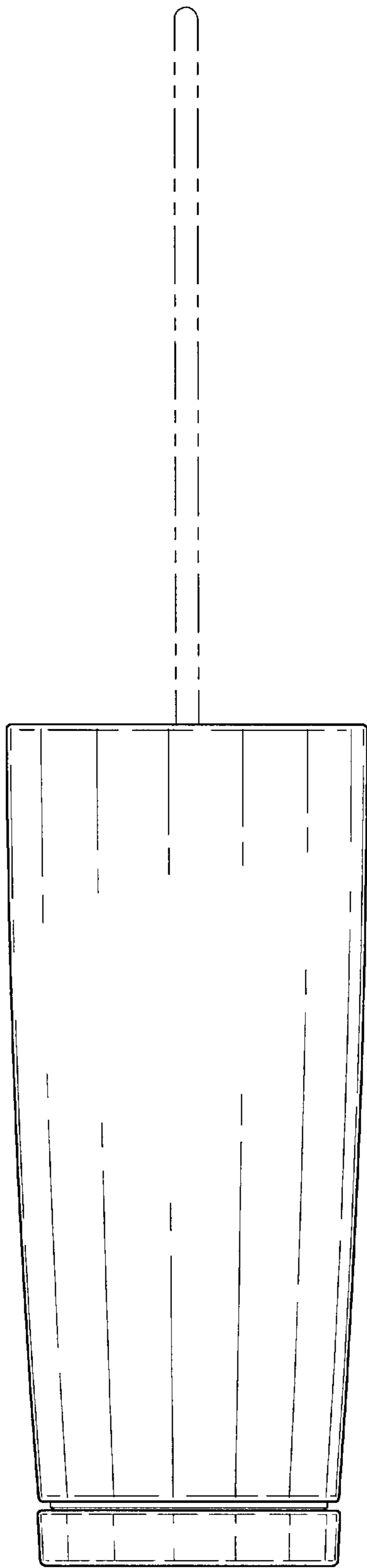


FIG-4

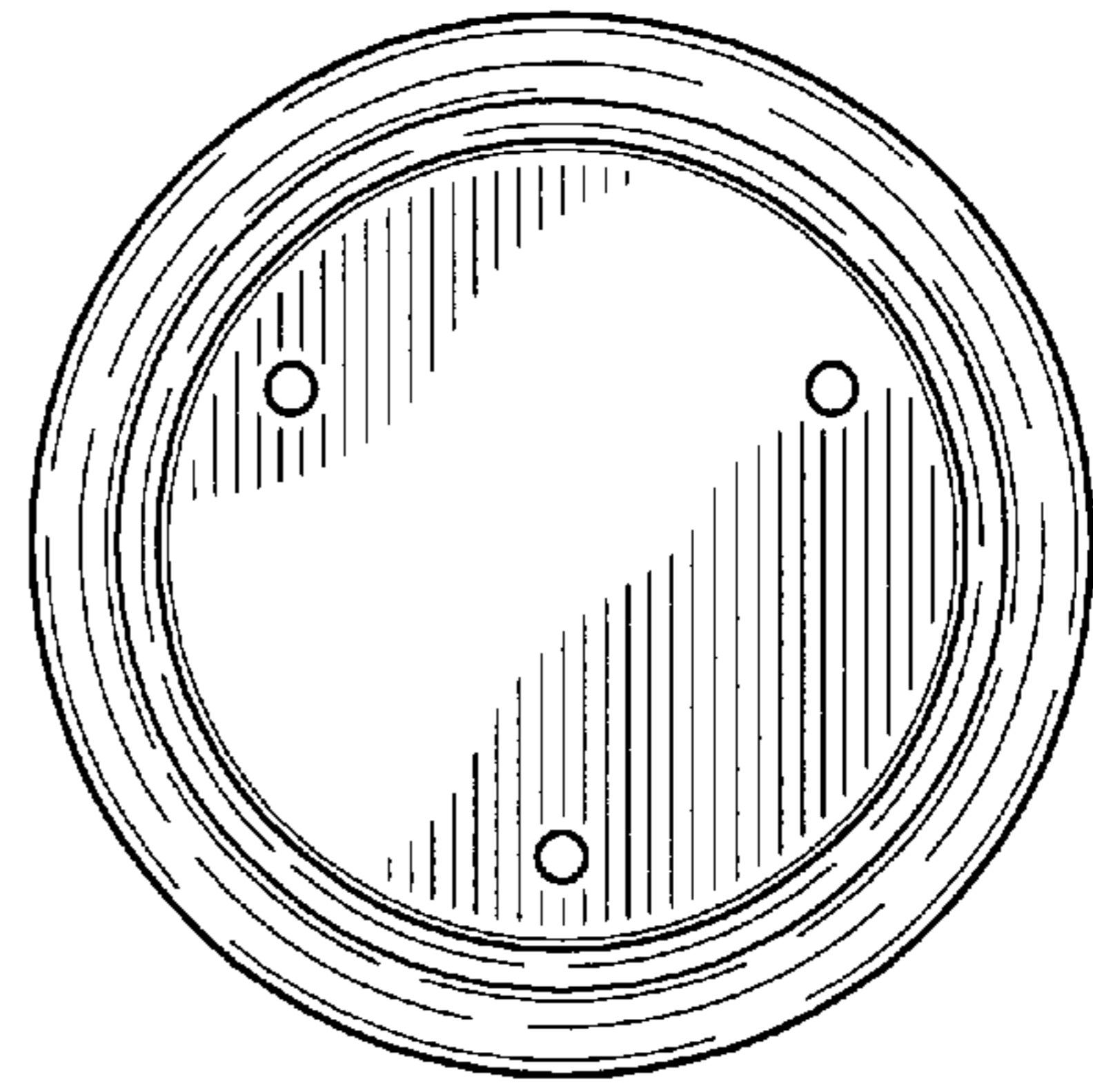


FIG-5