



US00D481567S

(12) **United States Design Patent**
Ashby et al.

(10) **Patent No.:** **US D481,567 S**

(45) **Date of Patent:** **** Nov. 4, 2003**

(54) **SUPPORT FOR A TABLE TOP**

5,358,204 A * 10/1994 Terada 248/164
D469,994 S * 2/2003 Smith D6/499

(75) Inventors: **Kent Ashby**, Logan, UT (US); **Jay Jones**, Clearfield, UT (US); **L. Curtis Strong**, Clearfield, UT (US); **Brandon Smith**, Ogden, UT (US)

* cited by examiner

Primary Examiner—Janice E. Seeger
(74) *Attorney, Agent, or Firm*—Workman Nydegger

(73) Assignee: **Lifetime Products, Inc.**, Clearfield, UT (US)

(57) **CLAIM**

(**) Term: **14 Years**

The ornamental design for a support for a table top, as shown and described.

(21) Appl. No.: **29/176,841**

DESCRIPTION

(22) Filed: **Feb. 26, 2003**

(51) **LOC (7) Cl.** **06-06**

(52) **U.S. Cl.** **D6/499; D6/495**

(58) **Field of Search** D6/480–489, 491, D6/422, 429–431, 495–499; 108/150, 130, 153.1, 155, 156, 157.1, 161, 50.01, 50.02, 115, 118, 119, 120, 131; 248/188, 188.1, 188.7, 188.8, 164, 432

FIG. 1 is a perspective view of a support for a table top; FIG. 2 is a top view of the support for a table top shown in FIG. 1;

FIG. 3 is a right side view of the support for a table top shown in FIG. 1;

FIG. 4 is a left side view of the support for a table top shown in FIG. 1;

FIG. 5 is a right side view of the support for the table top shown in FIG. 1, with the left side being a mirror image thereof; and,

FIG. 6 is a bottom view of the support for a table top shown in FIG. 1.

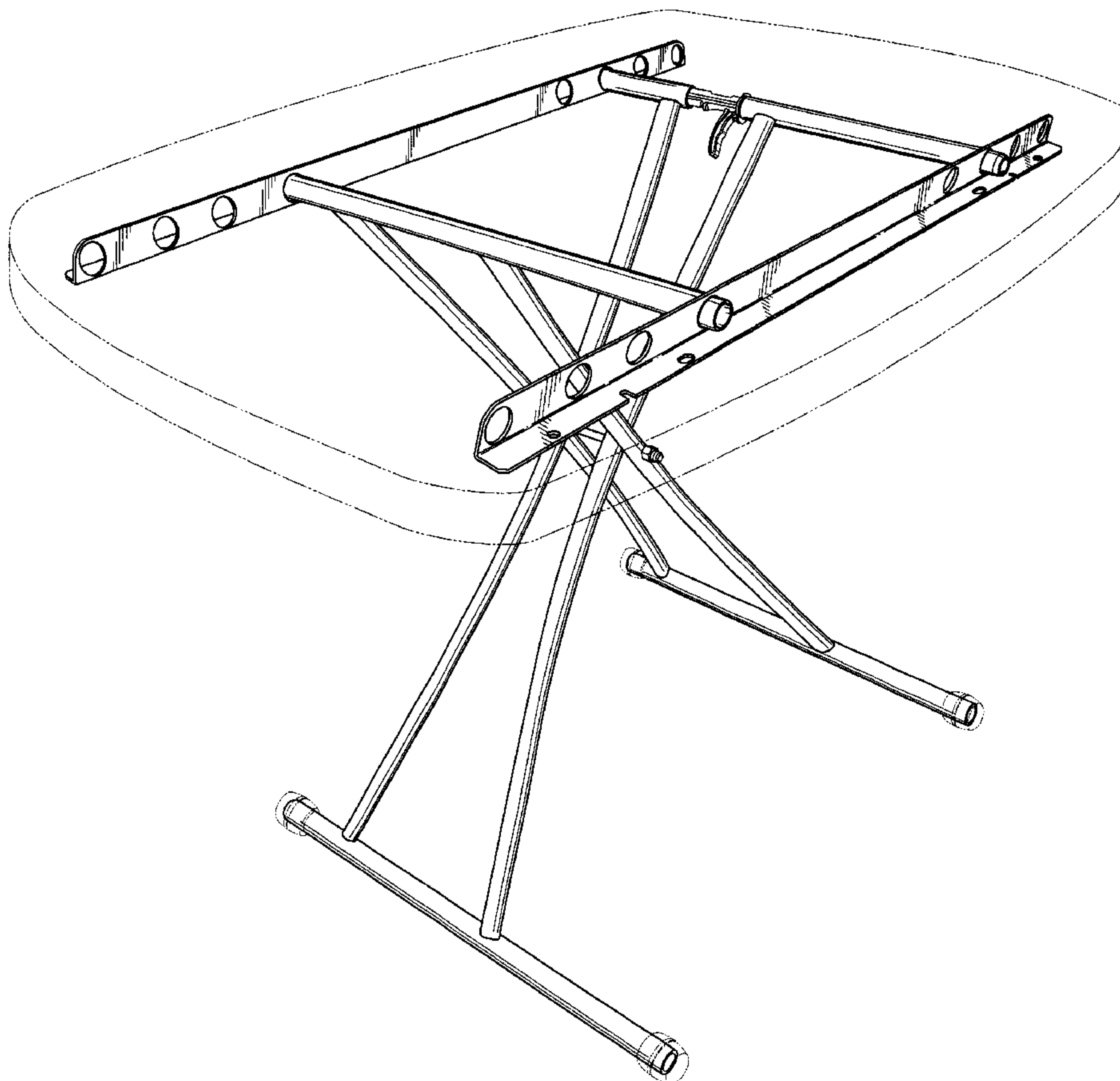
The broken lines are for illustrative purposes only and form no part of the claimed design.

(56) **References Cited**

U.S. PATENT DOCUMENTS

2,692,807 A * 10/1954 Cordola 108/120
3,031,243 A * 4/1962 Crenoi 108/120
3,224,389 A * 12/1965 Kent 108/119

1 Claim, 5 Drawing Sheets



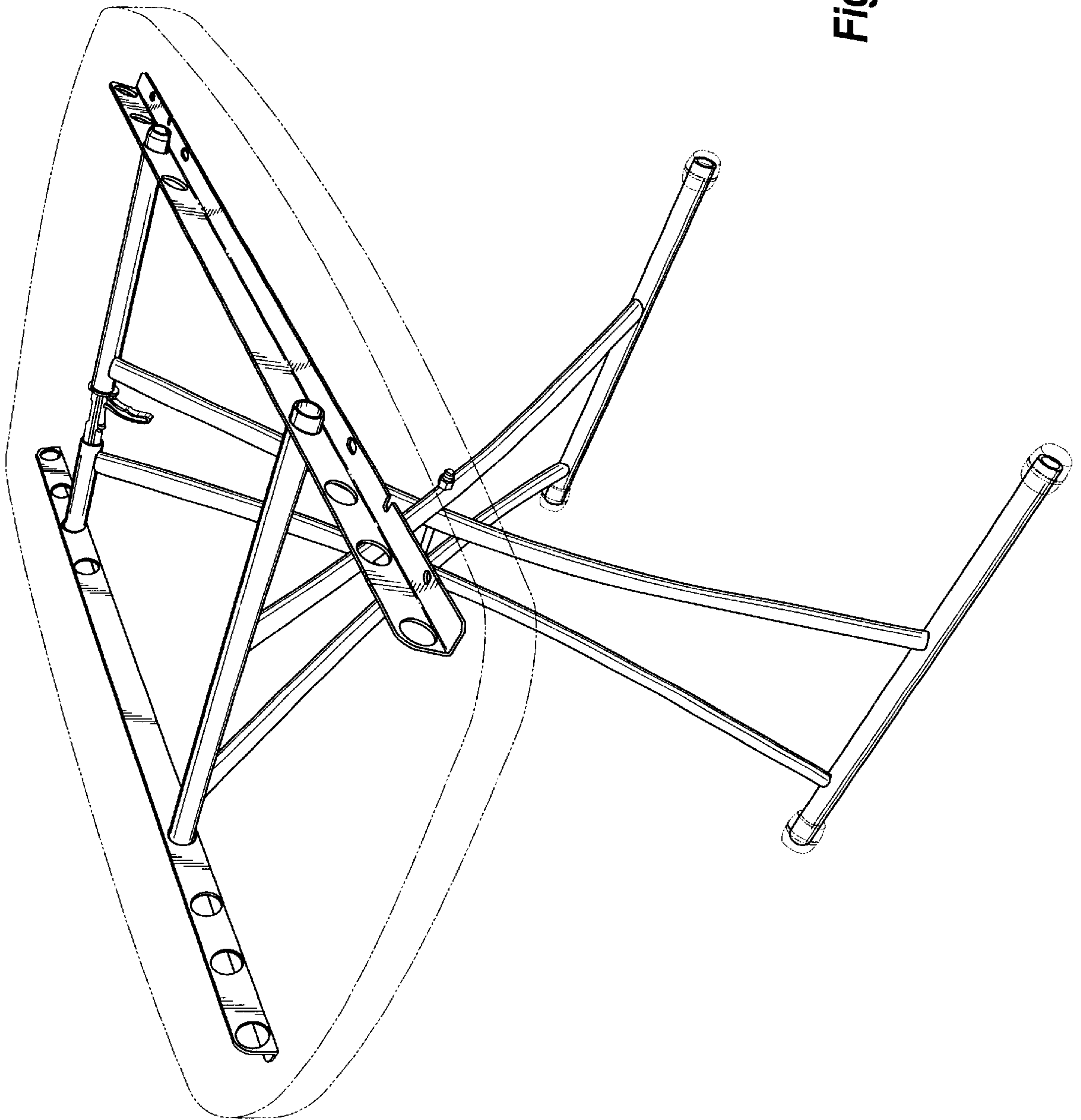


Fig. 1

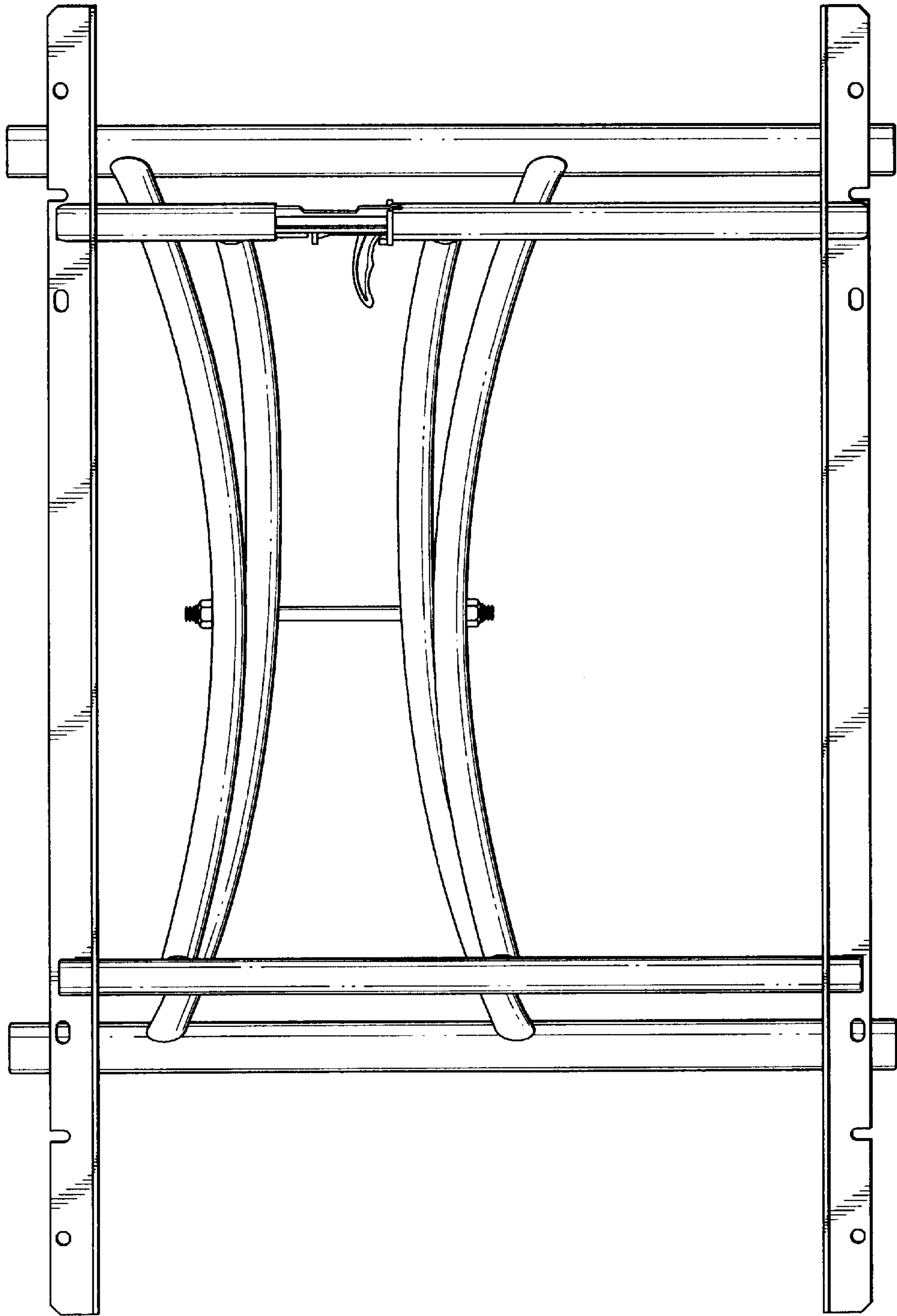


Fig. 2

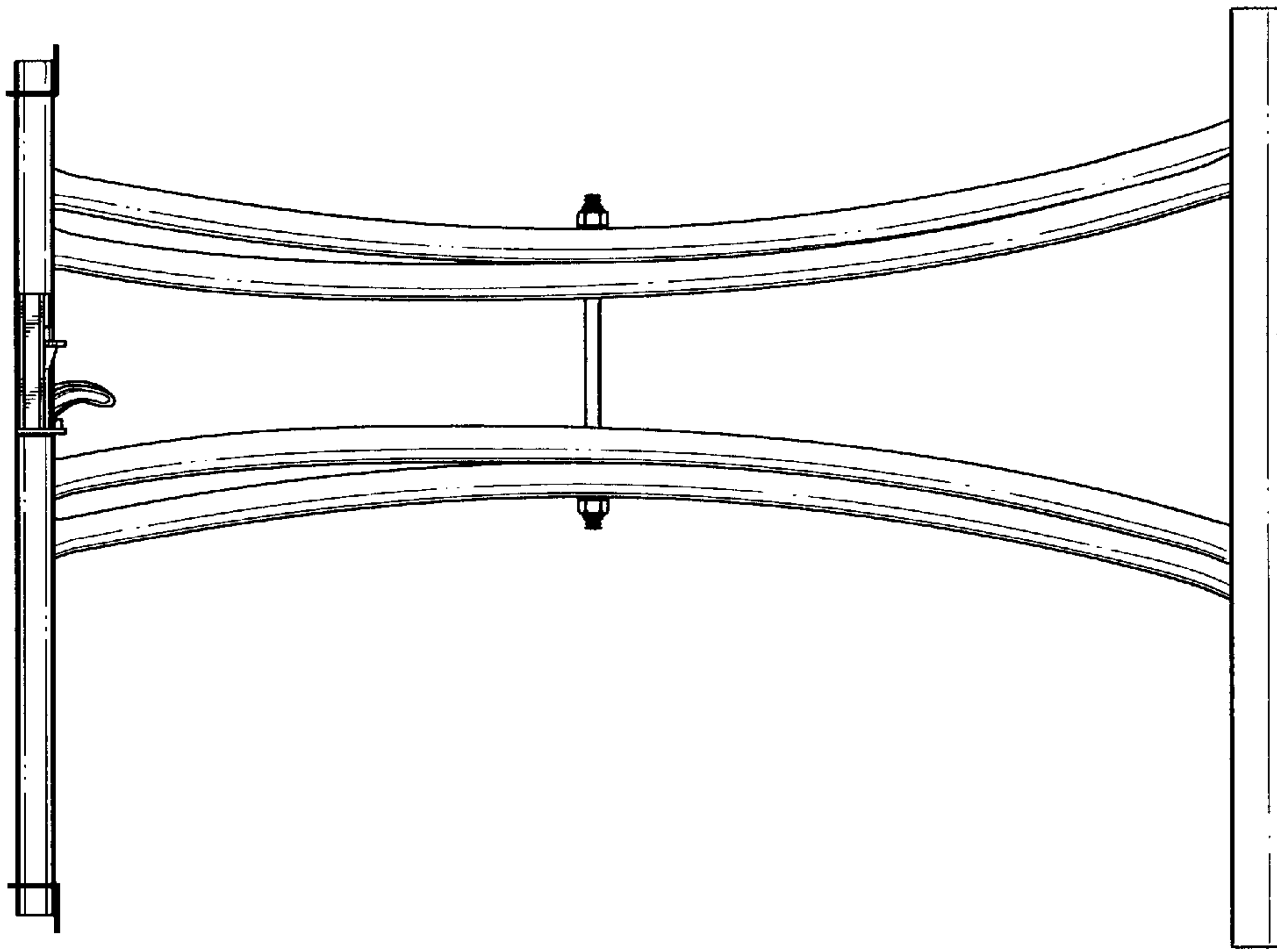


Fig. 4

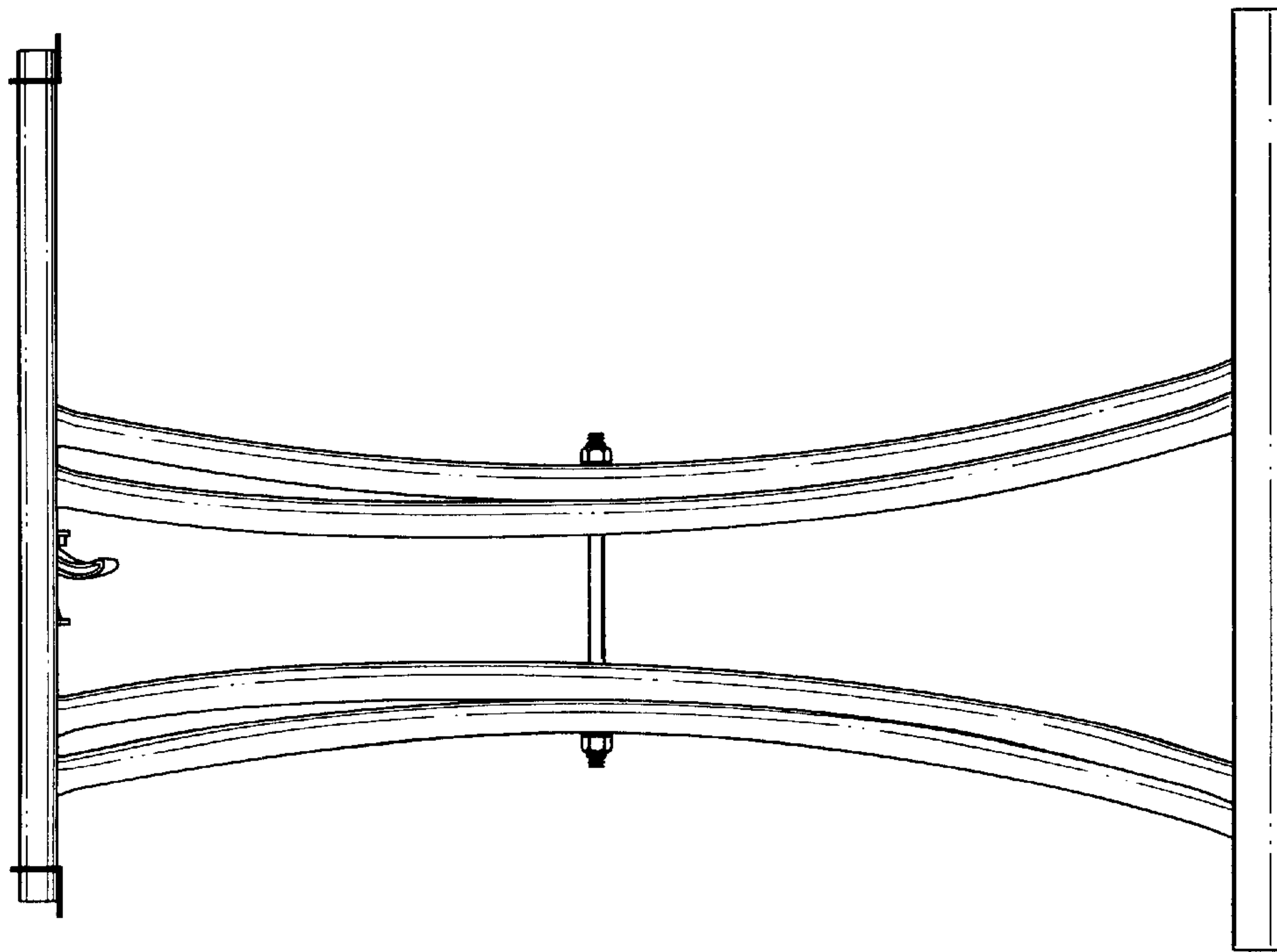


Fig. 3

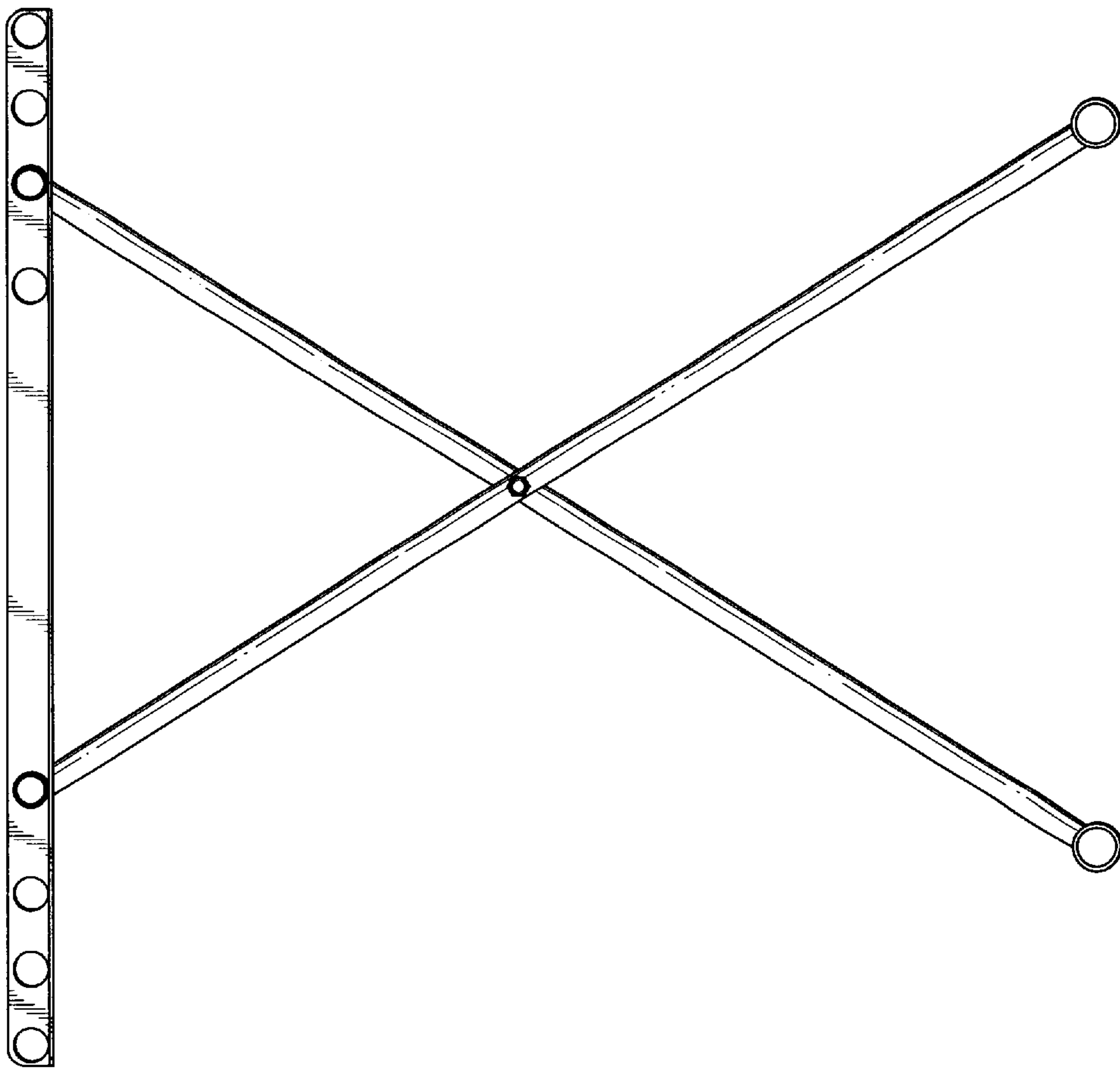


Fig. 5

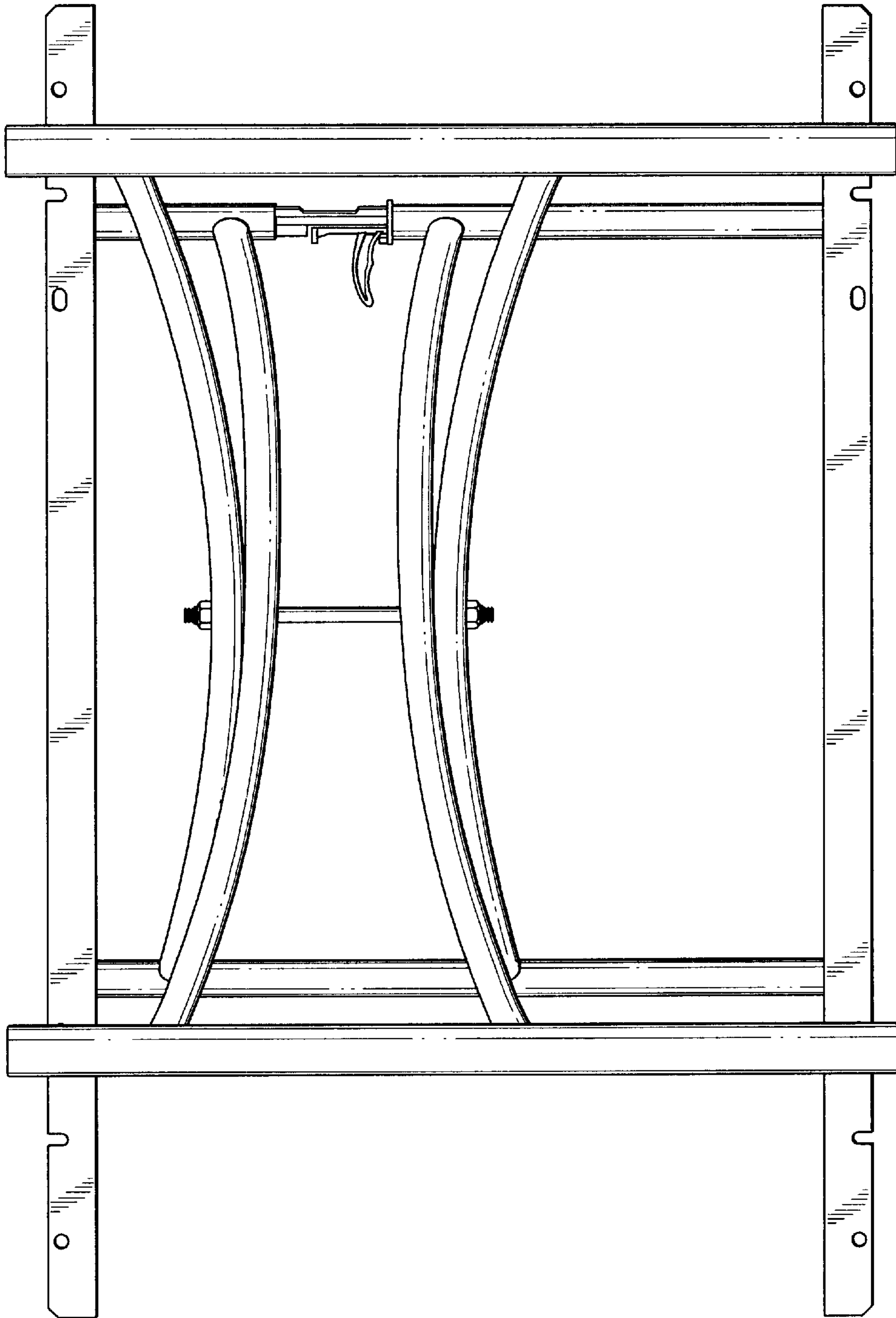


Fig. 6

UNITED STATES PATENT AND TRADEMARK OFFICE
CERTIFICATE OF CORRECTION

PATENT NO. : Des. 481,567 S
DATED : November 4, 2003
INVENTOR(S) : Ashby et al.

Page 1 of 1

It is certified that error appears in the above-identified patent and that said Letters Patent is hereby corrected as shown below:

Title page.

Item [75], Inventor, add -- **Thayne B. Haney** --; and delete "**Kent Ashby**"; and "**Jay Jones**"

Signed and Sealed this

Twentieth Day of July, 2004

A handwritten signature in black ink that reads "Jon W. Dudas". The signature is written in a cursive style with a large, looped initial "J".

JON W. DUDAS

Acting Director of the United States Patent and Trademark Office