



US00D481565S

(12) **United States Design Patent**
Weaver

(10) **Patent No.:** **US D481,565 S**

(45) **Date of Patent:** **** Nov. 4, 2003**

(54) **TABLE BASE**

(75) **Inventor:** **Paul J. Weaver**, San Francisco, CA (US)

(73) **Assignee:** **Michael Taylor Designs, Inc.**, San Francisco, CA (US)

(**) **Term:** **14 Years**

(21) **Appl. No.:** **29/176,354**

(22) **Filed:** **Feb. 20, 2003**

(51) **LOC (7) Cl.** **06-06**

(52) **U.S. Cl.** **D6/499; D6/495**

(58) **Field of Search** D6/480-489, 495-499;
108/150, 153.1, 155, 156, 161, 157.1; 248/188,
188.1, 188.7, 188.8

(56) **References Cited**

U.S. PATENT DOCUMENTS

2,576,287	A	*	11/1951	English	D6/486
5,445,352	A	*	8/1995	Long	248/354.5
5,794,545	A	*	8/1998	McDaniel et al.	108/64
D443,443	S	*	6/2001	Welke	D6/497
D449,185	S	*	10/2001	Solloway	D6/480

OTHER PUBLICATIONS

Weaver, pending U.S. design patent application Ser. No. 29/176,358, filed Feb. 20, 2003, entitled "TABLE BASE".
Weaver, pending U.S. design patent application Ser. No. 29/176,360, filed Feb. 20, 2003, entitled "TABLE".

Weaver, pending U.S. design patent application Ser. No. 29/176,315, filed Feb. 20, 2003, entitled "TABLE BASE".
Architectural Digest, "La Quinta Norte—Douglas S. Cramer's Ranch in Santa Ynez Valley", pp. 137-147, May 1985.
Weaver, pending U.S. design patent application Ser. No. 29/176,300, filed Feb. 20, 2003, entitled "PLATFORM".
Weaver, pending U.S. design patent application Ser. No. 29/176,307, filed Feb. 20, 2003, entitled "OTTOMAN".

* cited by examiner

Primary Examiner—Janice E. Seeger
(74) *Attorney, Agent, or Firm*—Heslin Rothenberg Farley & Mesiti P.C.

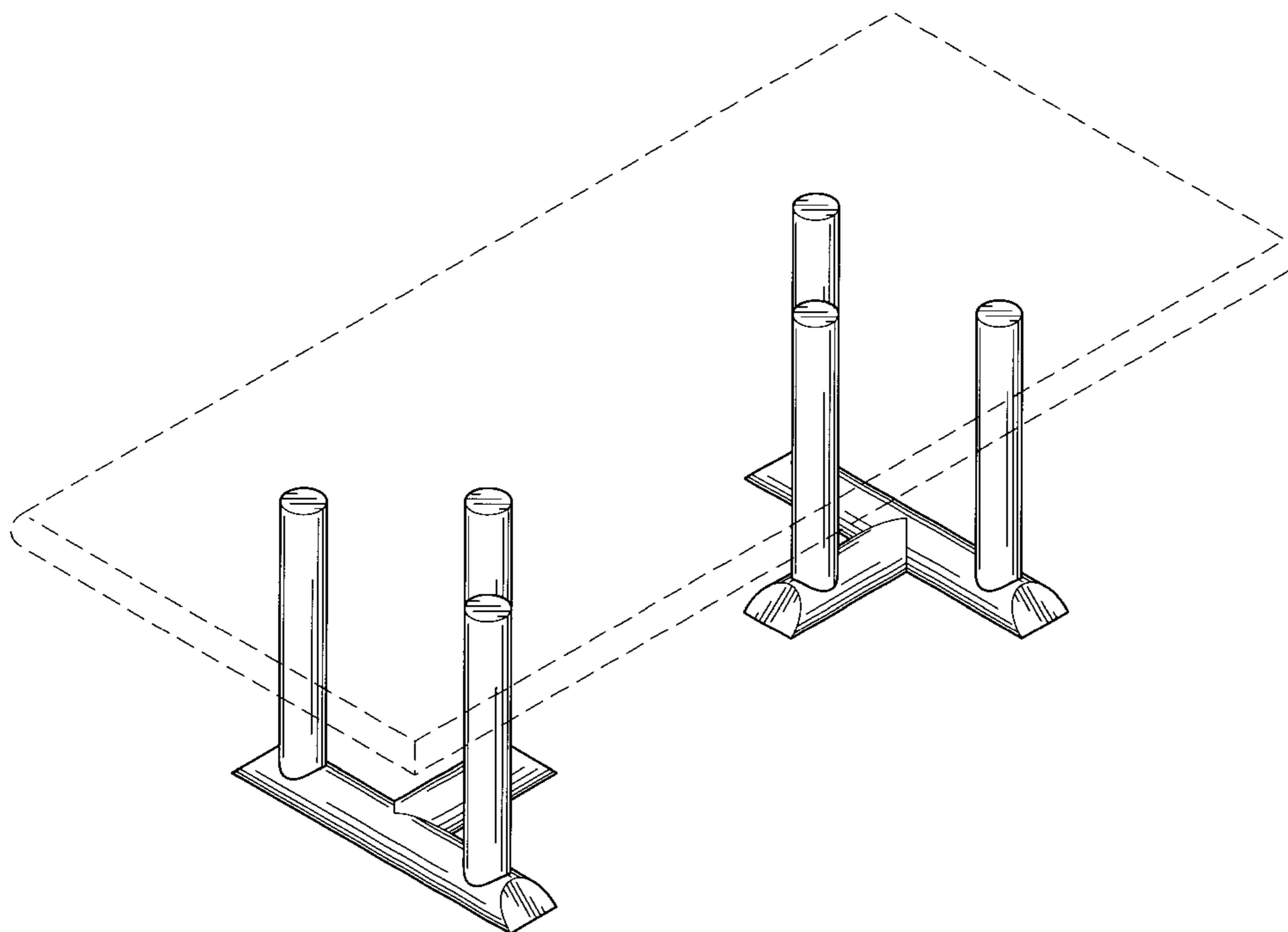
(57) **CLAIM**

The ornamental design for the table base, as shown and described.

DESCRIPTION

FIG. 1 is a perspective view of a table base in accordance with the new design;
FIG. 2 is a top view thereof;
FIG. 3 is a front elevational view thereof, a rear elevational view being a mirror image thereof; and,
FIG. 4 is a left side elevational view thereof, a right side elevational view being a mirror image thereof.
The broken lines in the figures are for illustrative purposes only and form no part of the claimed design.

1 Claim, 3 Drawing Sheets



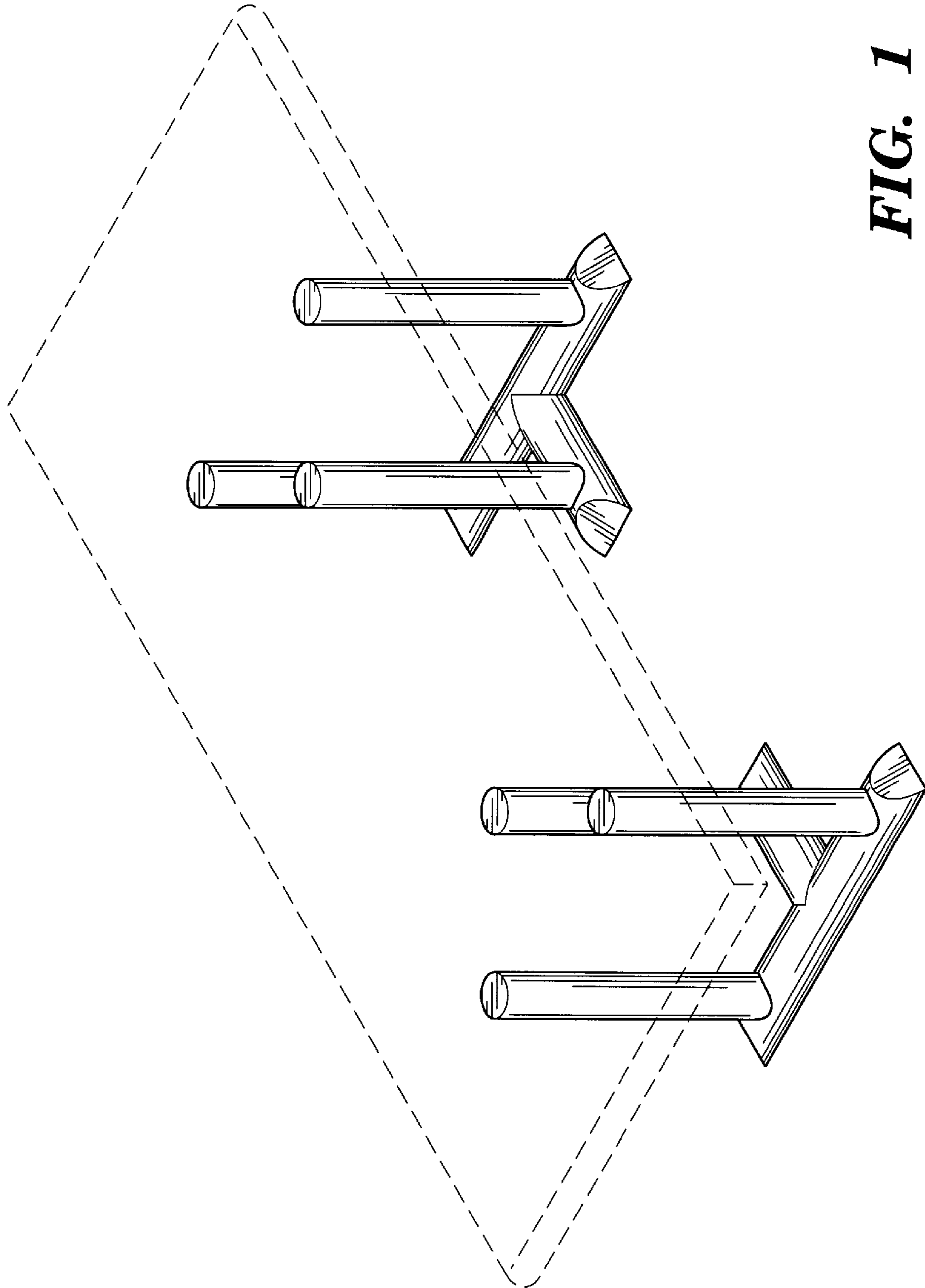


FIG. 1

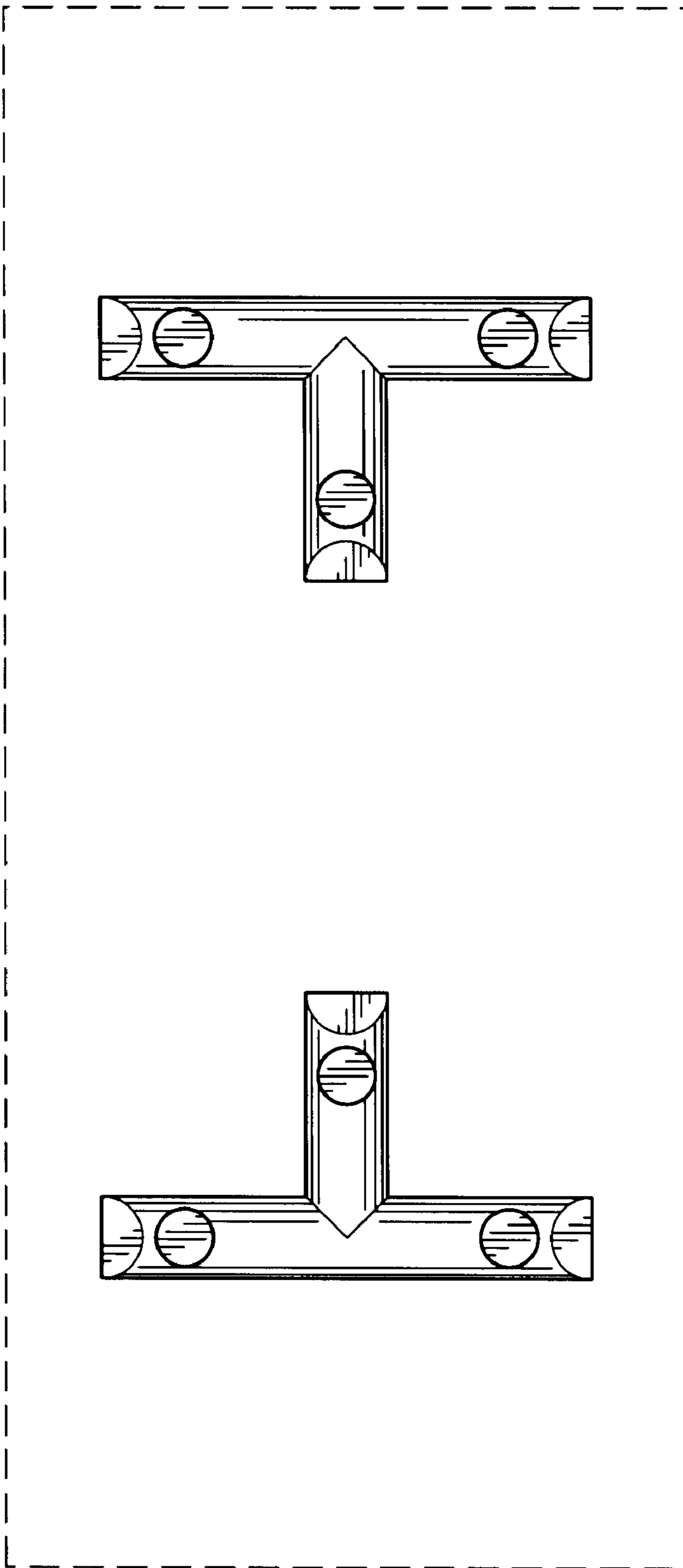


FIG. 2

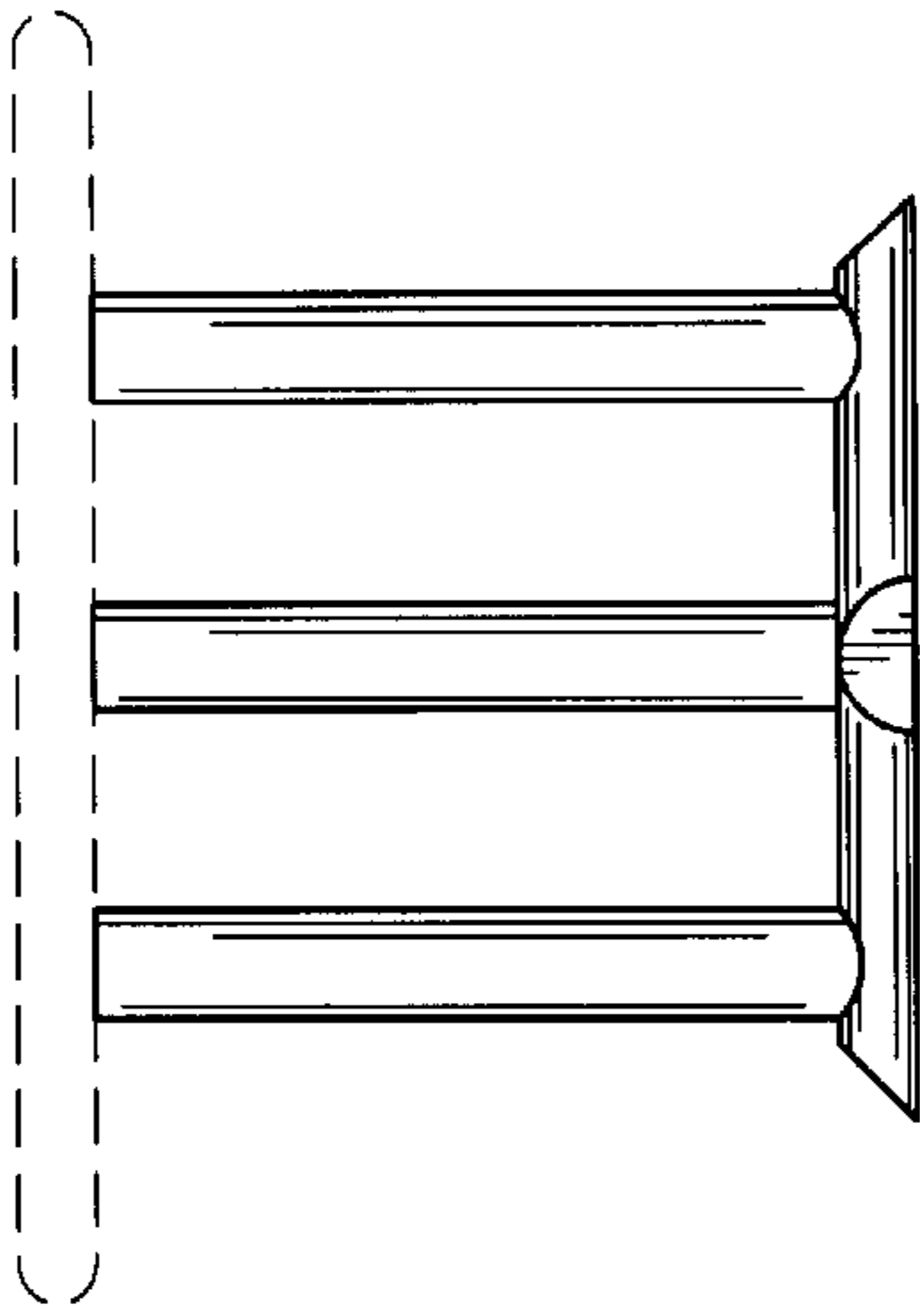


FIG. 4

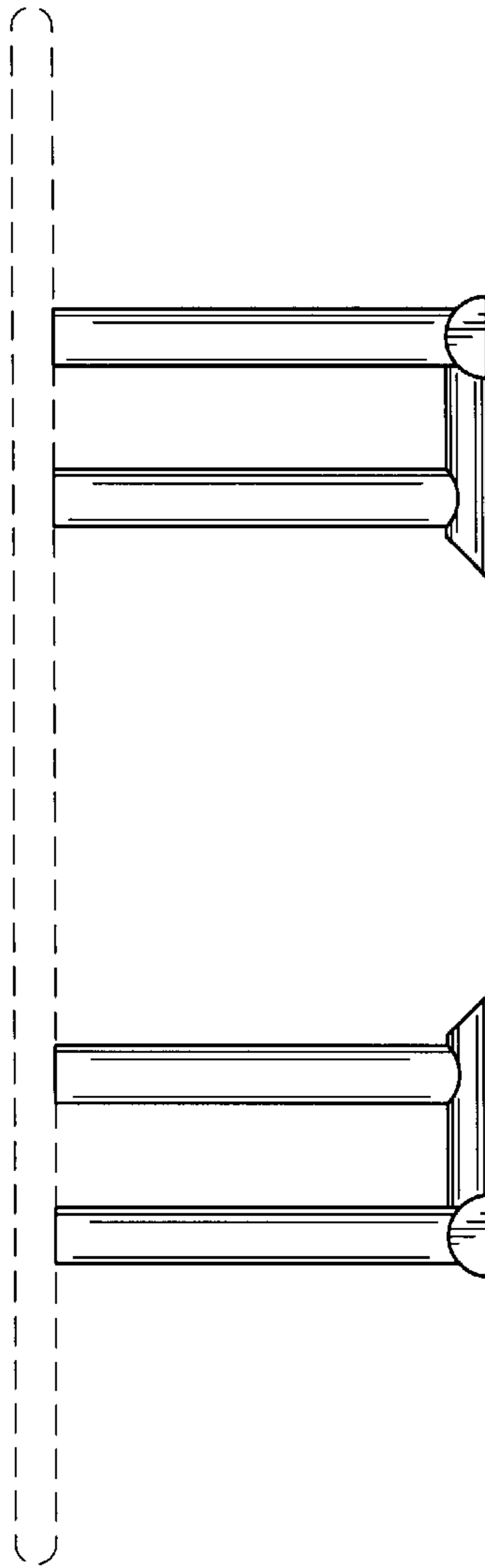


FIG. 3