



US00D481564S

(12) **United States Design Patent** (10) **Patent No.:** **US D481,564 S**  
**Weaver** (45) **Date of Patent:** **\*\* Nov. 4, 2003**

(54) **TABLE BASE**

(75) **Inventor:** **Paul J. Weaver**, San Francisco, CA (US)

(73) **Assignee:** **Michael Taylor Designs, Inc.**, San Francisco, CA (US)

(\*\*) **Term:** **14 Years**

(21) **Appl. No.:** **29/176,315**

(22) **Filed:** **Feb. 20, 2003**

(51) **LOC (7) Cl.** ..... **06-06**

(52) **U.S. Cl.** ..... **D6/499; D6/495**

(58) **Field of Search** ..... D6/480-489, 495-499;  
108/150, 153.1, 155, 156, 157.1, 161; 248/188,  
188.1, 188.7, 188.8

(56) **References Cited**

**U.S. PATENT DOCUMENTS**

- 2,576,287 A \* 11/1951 English ..... D6/486
- 5,445,352 A \* 8/1995 Long ..... 248/188.7 X
- 5,794,545 A \* 8/1998 McDaniel et al. .... 248/188 X
- D449,185 S \* 10/2001 Solloway ..... D6/480

**OTHER PUBLICATIONS**

Weaver, pending U.S. design patent application Ser. No. 29/176,354, filed Feb. 20, 2003, entitled "Table Base".  
Weaver, pending U.S. design patent application Ser. No. 29/176,358, filed Feb. 20, 2003, entitled "Table Base".

Weaver, pending U.S. design patent application Ser. No. 29/176,360, filed Feb. 20, 2003, entitled "Table".

Weaver, pending U.S. design patent application Ser. No. 29/176,300, filed Feb. 20, 2003, entitled "Platform".

Architectural Digest, "La Quinta Norte—Douglas S. Cramer's Ranch in Santa Ynez Valley", pp. 137-147, May 1985.

Weaver, pending U.S. design patent application Ser. No. 29/176,307, filed Feb. 20, 2003, entitled "Ottoman".

\* cited by examiner

*Primary Examiner*—Janice E. Seeger

(74) *Attorney, Agent, or Firm*—Heslin Rothenberg Farley & Mesiti P.C.

(57) **CLAIM**

The ornamental design for the table base, as shown and described.

**DESCRIPTION**

FIG. 1 is a perspective view of a table base in accordance with the new design;

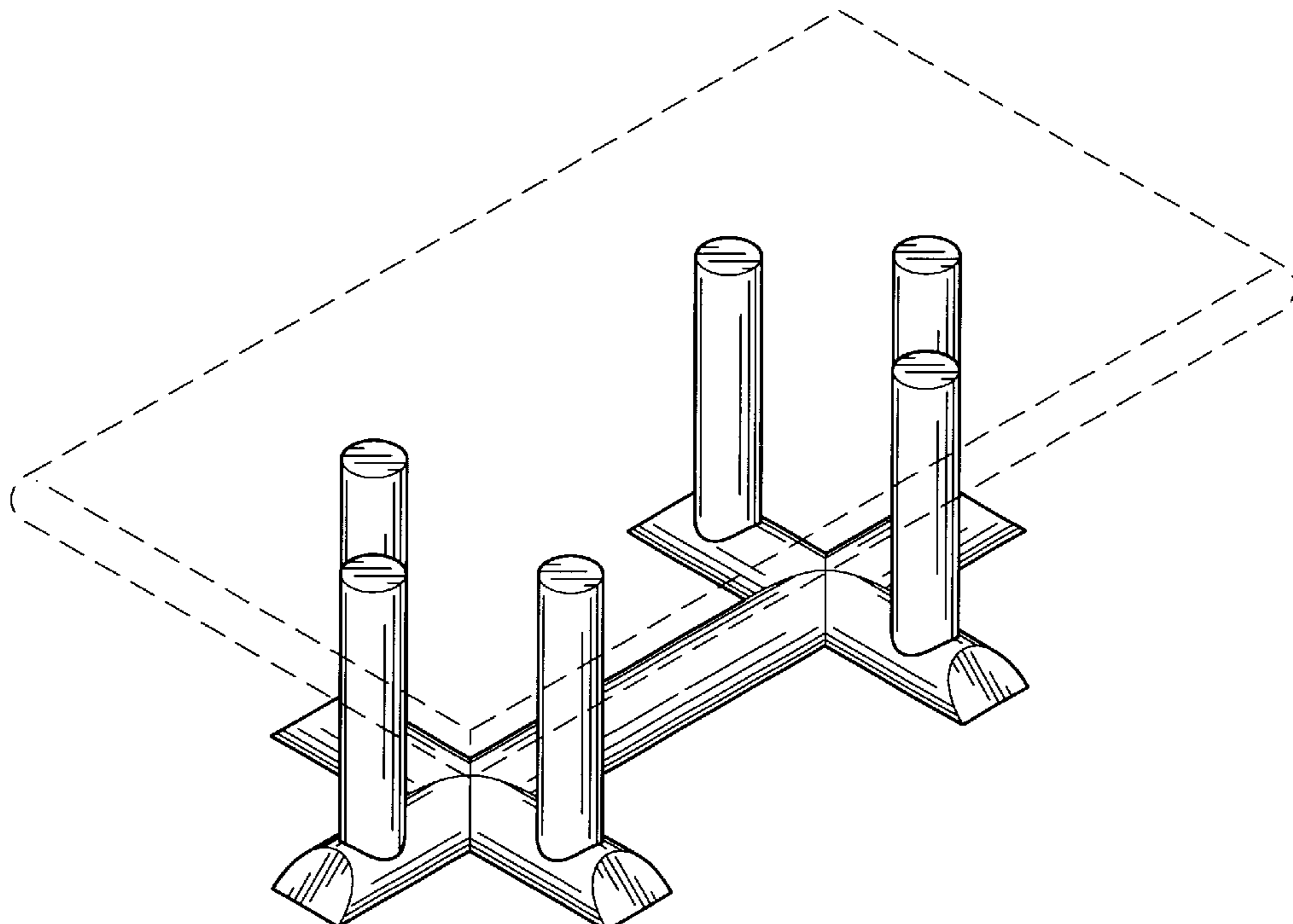
FIG. 2 is a top view thereof;

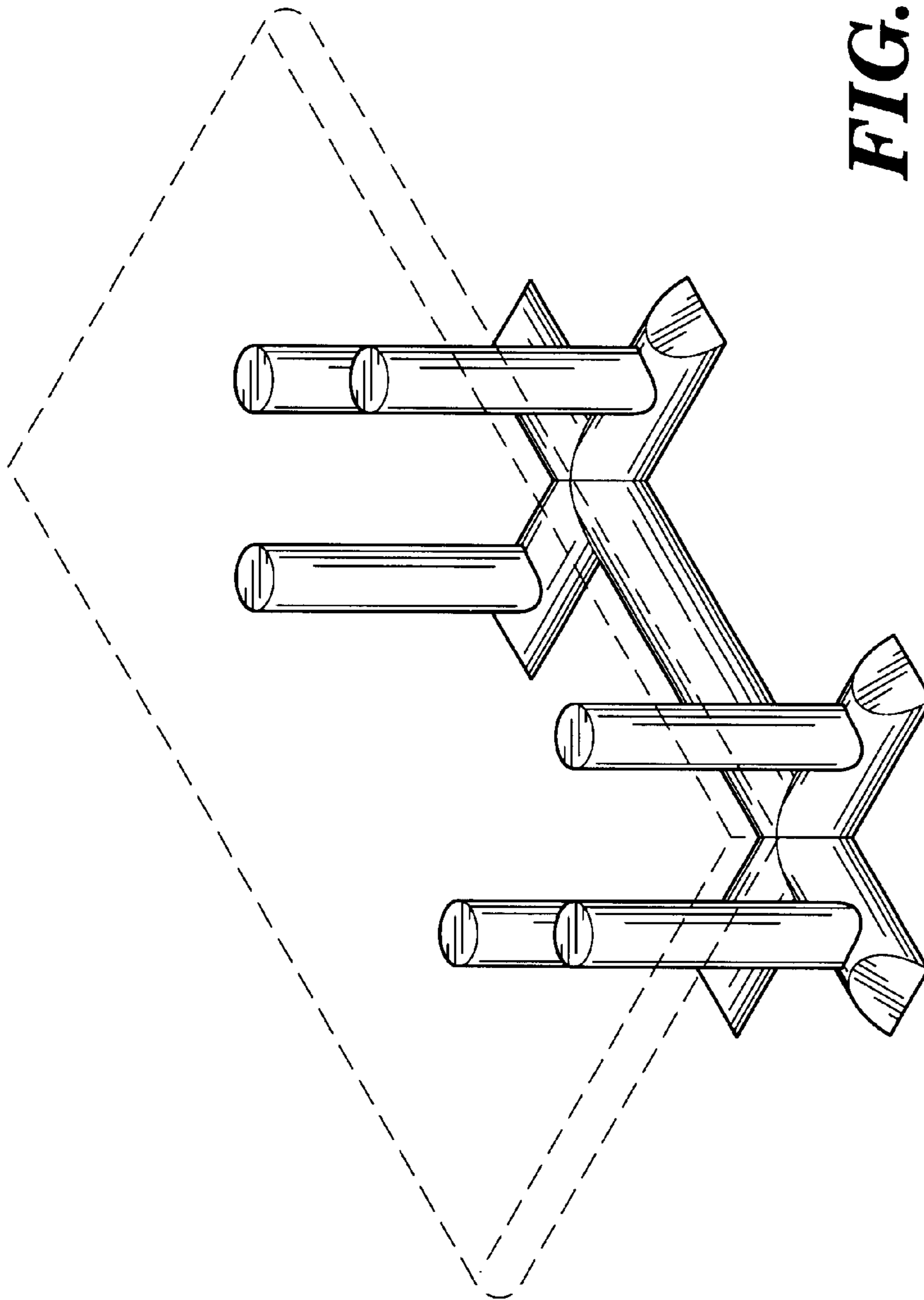
FIG. 3 is a front elevational view thereof, a rear elevational view being a mirror image thereof; and,

FIG. 4 is a left side elevational view thereof, a right side elevational view being a mirror image thereof.

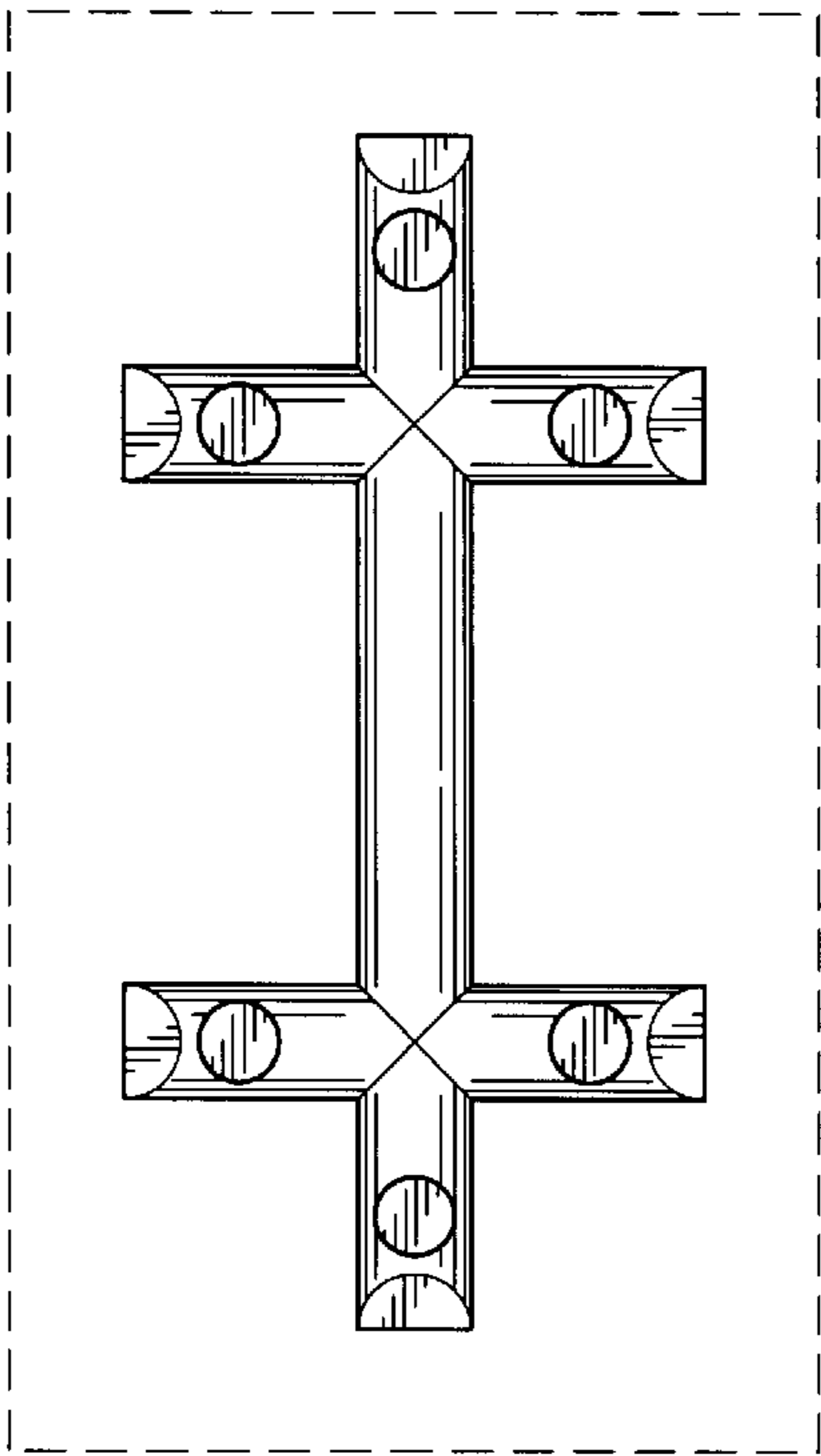
The broken lines in the figures are for illustrative purposes only and form no part of the claimed design.

**1 Claim, 2 Drawing Sheets**

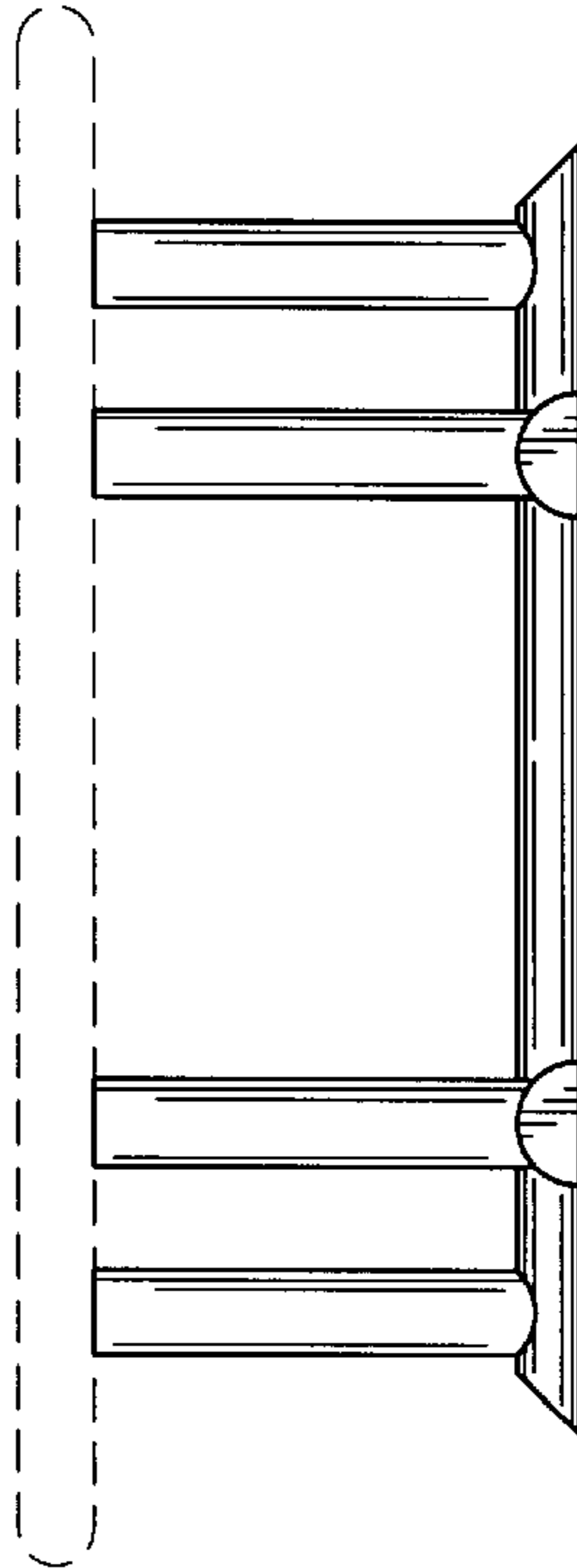




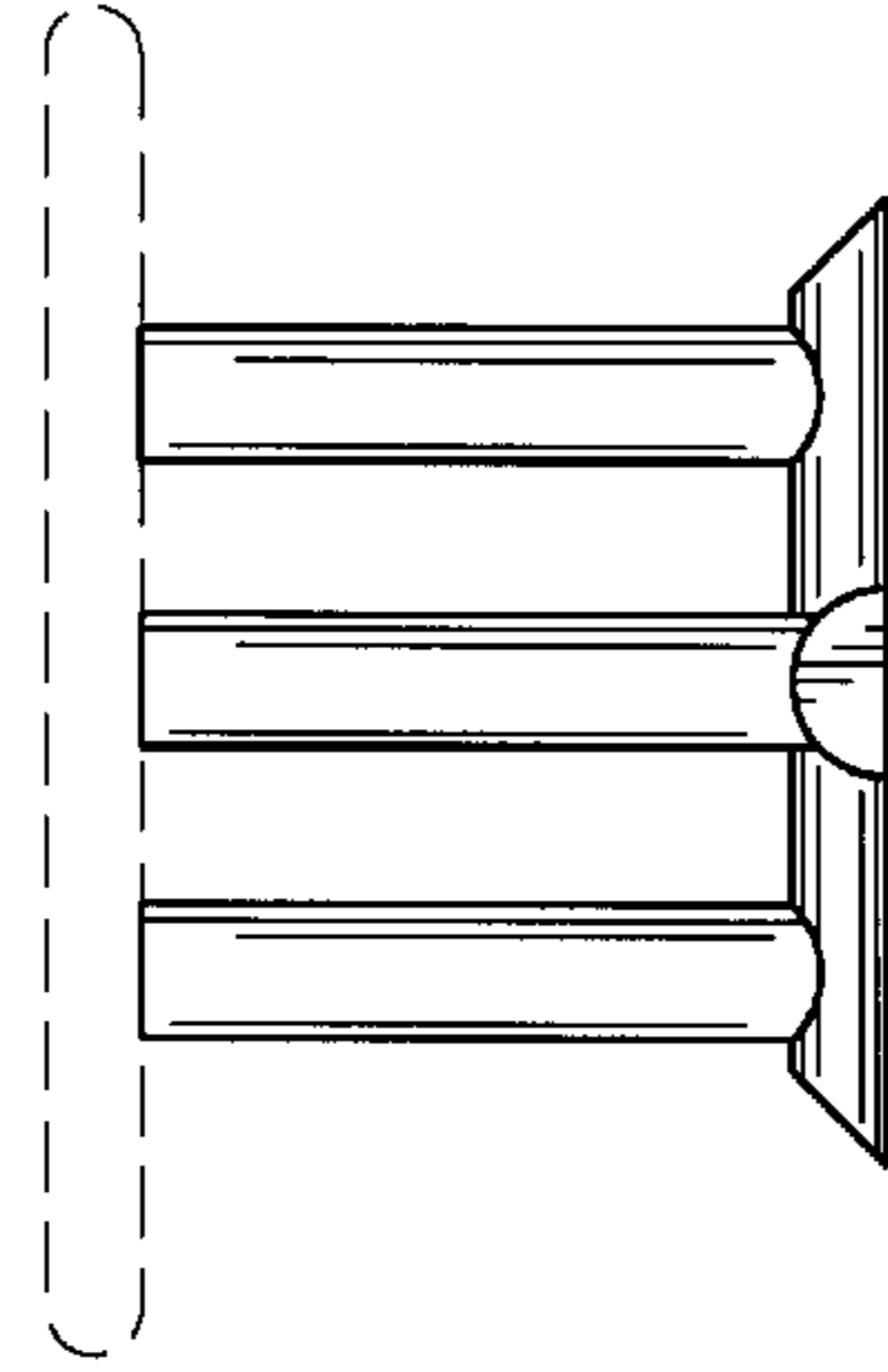
**FIG. 1**



**FIG. 2**



**FIG. 3**



**FIG. 4**