



US00D481563S

(12) **United States Design Patent**  
**Hsieh**

(10) **Patent No.:** **US D481,563 S**

(45) **Date of Patent:** **\*\* Nov. 4, 2003**

(54) **MUSIC STAND BASE**

(76) **Inventor:** **Wu-Hong Hsieh**, No. 162, Chung Shan  
2nd Rd., Lu Chou City, Taipei Hsien  
(TW)

(\*\*) **Term:** **14 Years**

(21) **Appl. No.:** **29/171,981**

(22) **Filed:** **Dec. 4, 2002**

(51) **LOC (7) Cl.** ..... **06-06**

(52) **U.S. Cl.** ..... **D6/498; D6/419**

(58) **Field of Search** ..... D6/480, 486, 495-499,  
D6/419; 108/150, 161; 248/188.1, 188,  
188.7, 188.8, 441.1, 431, 463, 464

(56) **References Cited**

**U.S. PATENT DOCUMENTS**

3,934,806	A	*	1/1976	Rady	.....	248/188.1
4,671,479	A	*	6/1987	Johnson et al.	.....	248/188.7 X
5,713,553	A	*	2/1998	Cooper	.....	248/461
6,536,720	B1	*	3/2003	Yu	.....	248/441.1 X

\* cited by examiner

*Primary Examiner*—Janice E. Seeger

(74) *Attorney, Agent, or Firm*—Dennison, Schultz &  
Dougherty

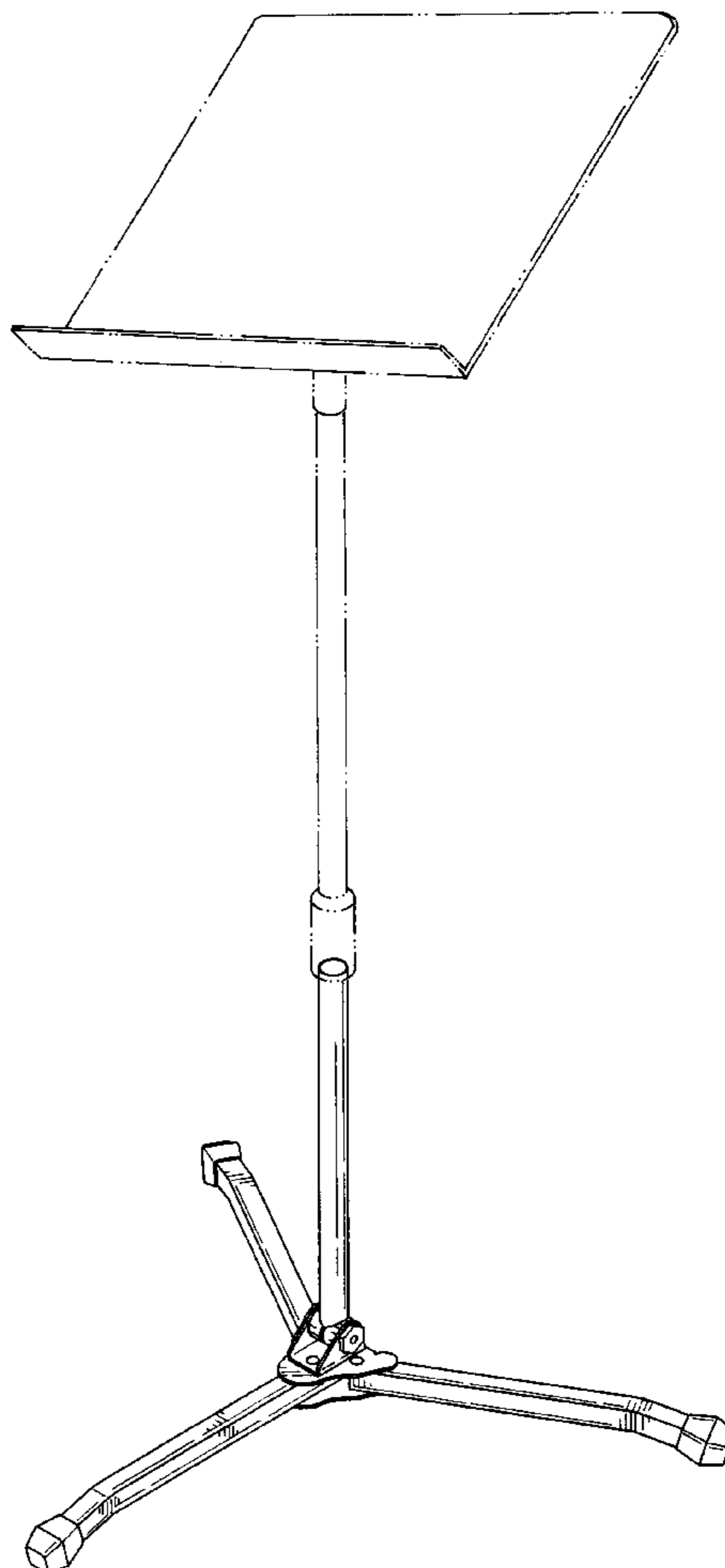
(57) **CLAIM**

The ornamental design for a music stand base, as shown and  
described.

**DESCRIPTION**

FIG. 1 is a perspective view of the music stand base showing  
my new design;  
FIG. 2 is a front elevational view thereof;  
FIG. 3 is a rear elevational view thereof;  
FIG. 4 is a left side view thereof;  
FIG. 5 is a right side view thereof;  
FIG. 6 is a top plain view thereof;  
FIG. 7 is a bottom plain view thereof;  
FIG. 8 is a perspective view thereof showing that the music  
stand base folded; and,  
FIG. 9 is a referential perspective view showing a music  
rack attached to the music stand base, wherein the broken  
lines are shown for illustrative purposes only and form no  
part of the claimed design.

**1 Claim, 9 Drawing Sheets**



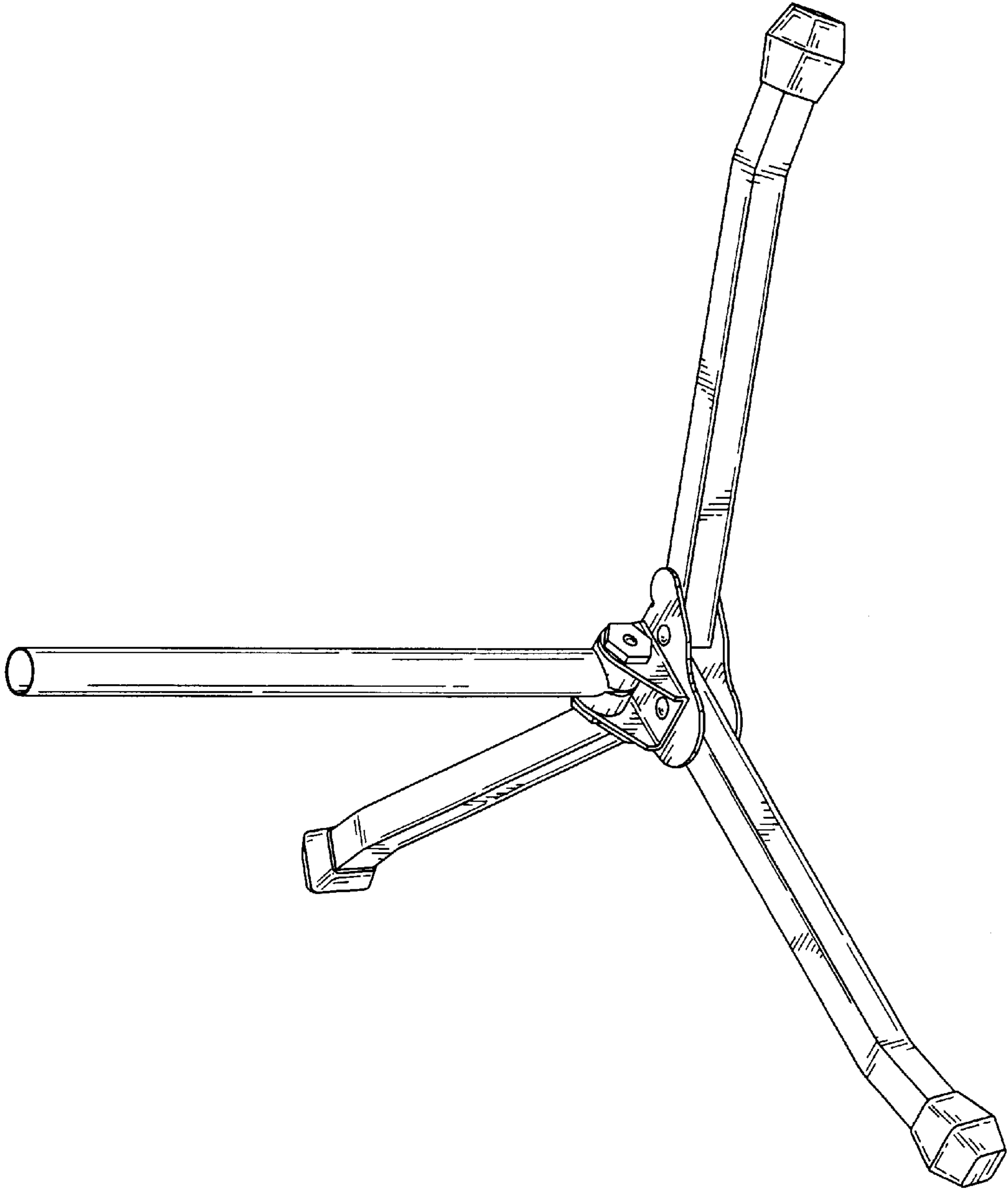


FIG. 1

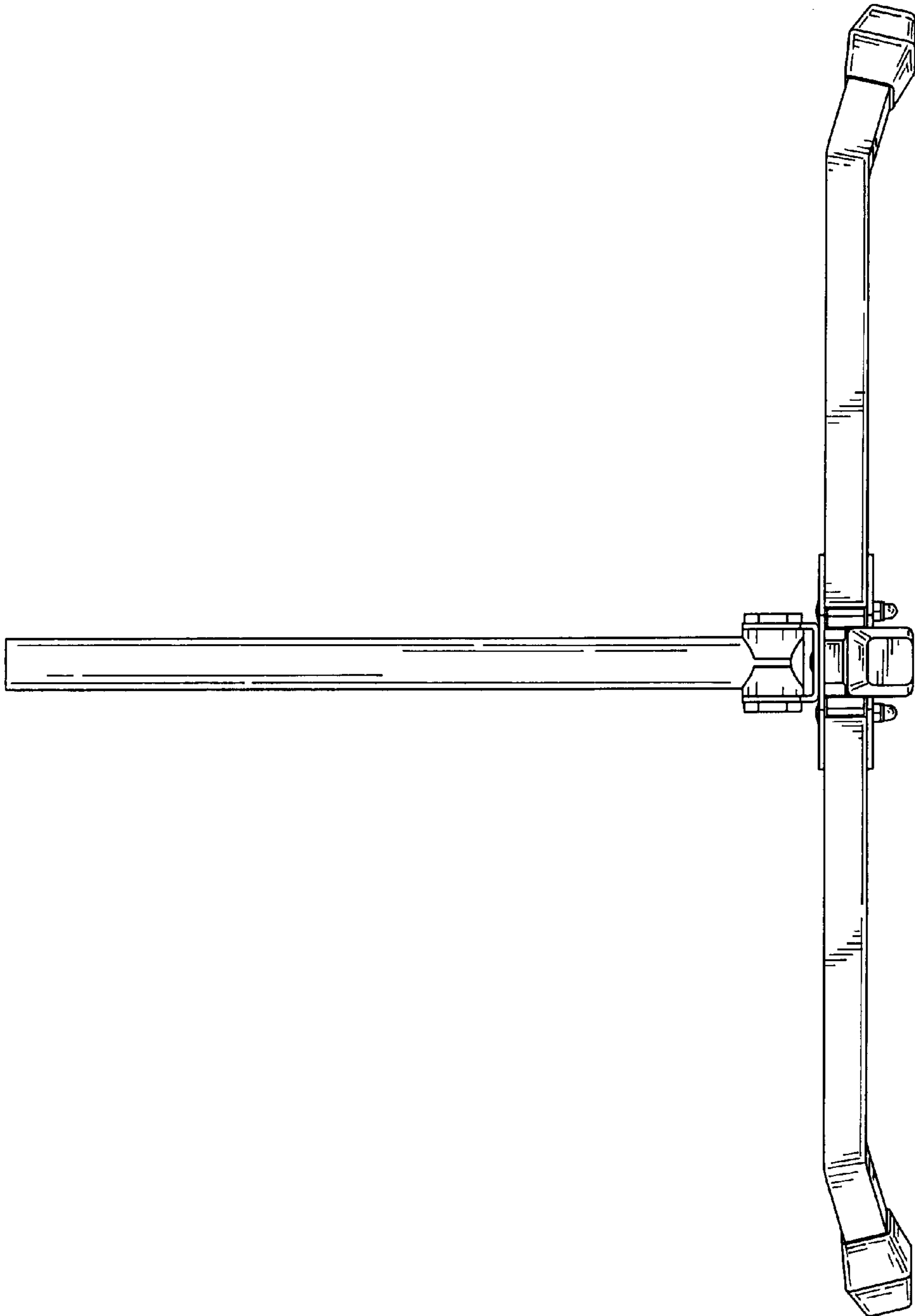


FIG. 2

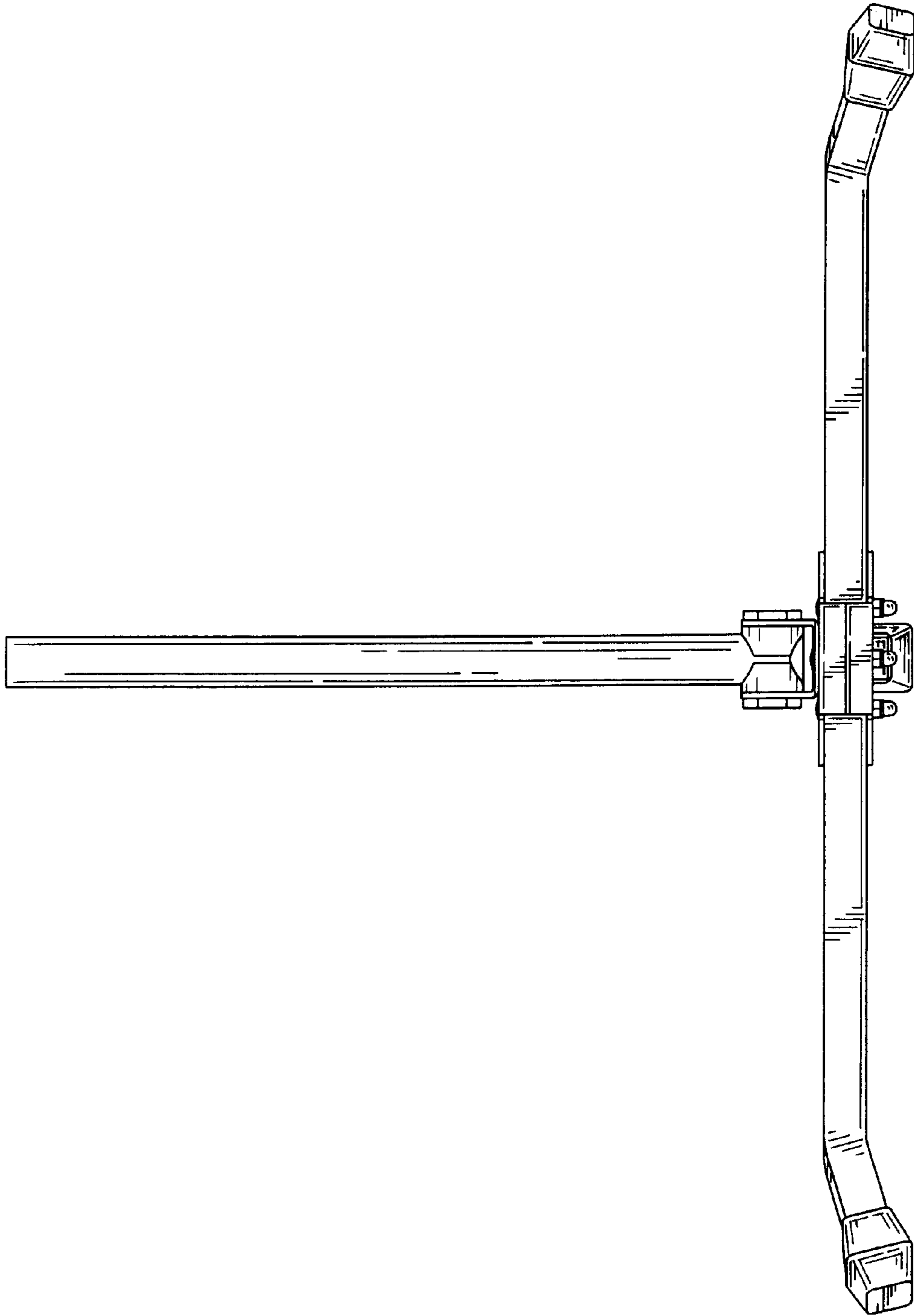


FIG. 3

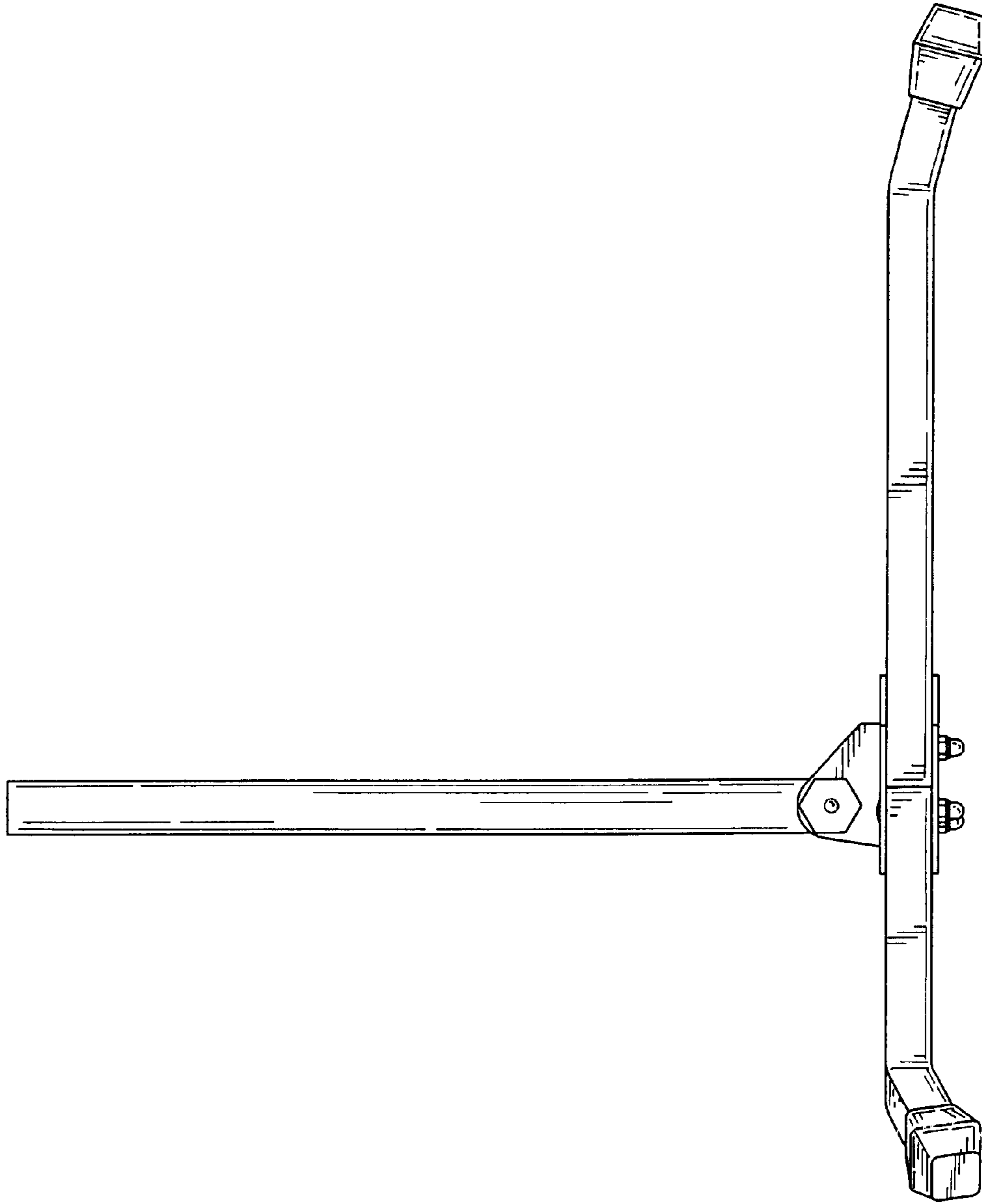


FIG. 4

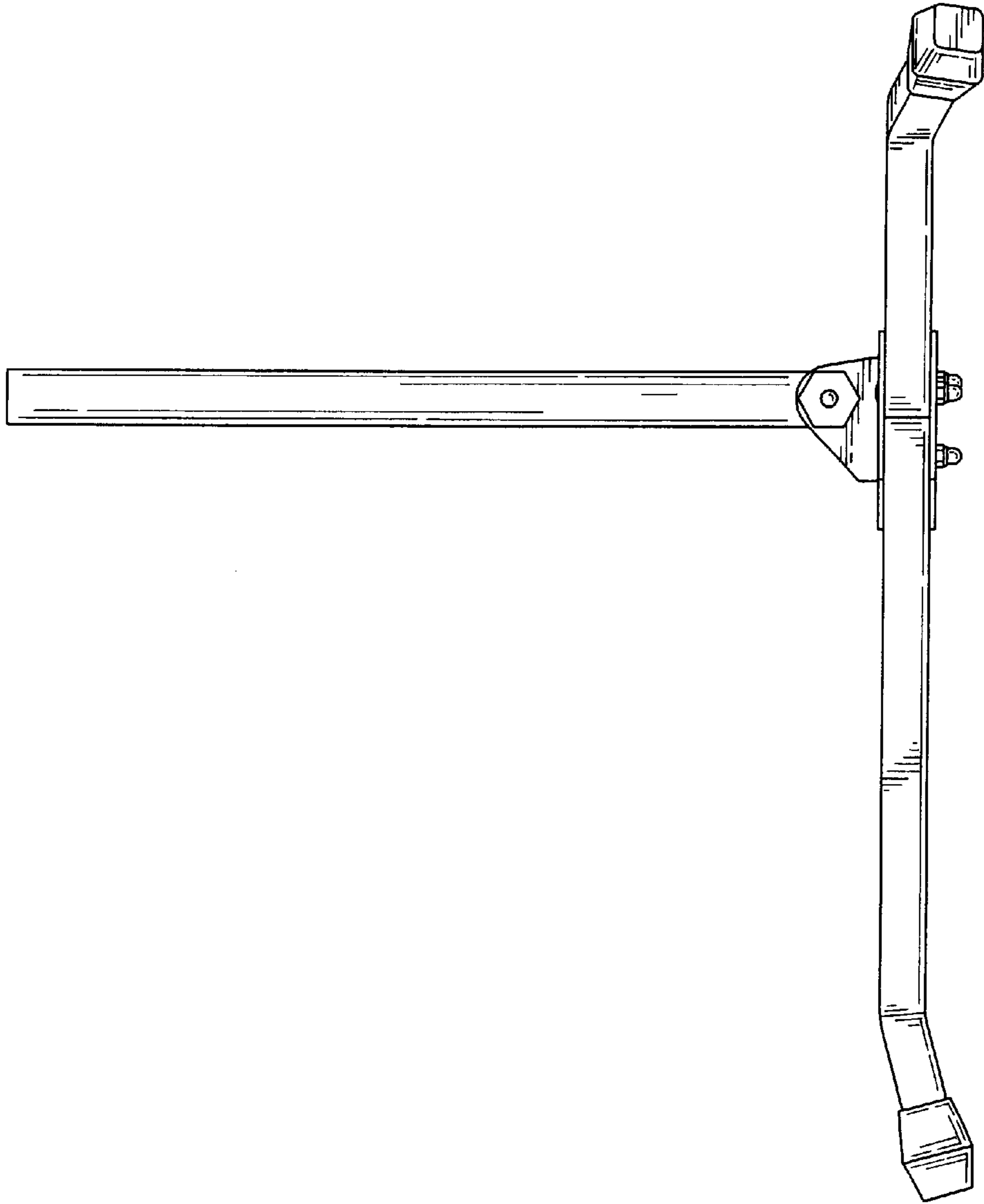


FIG. 5

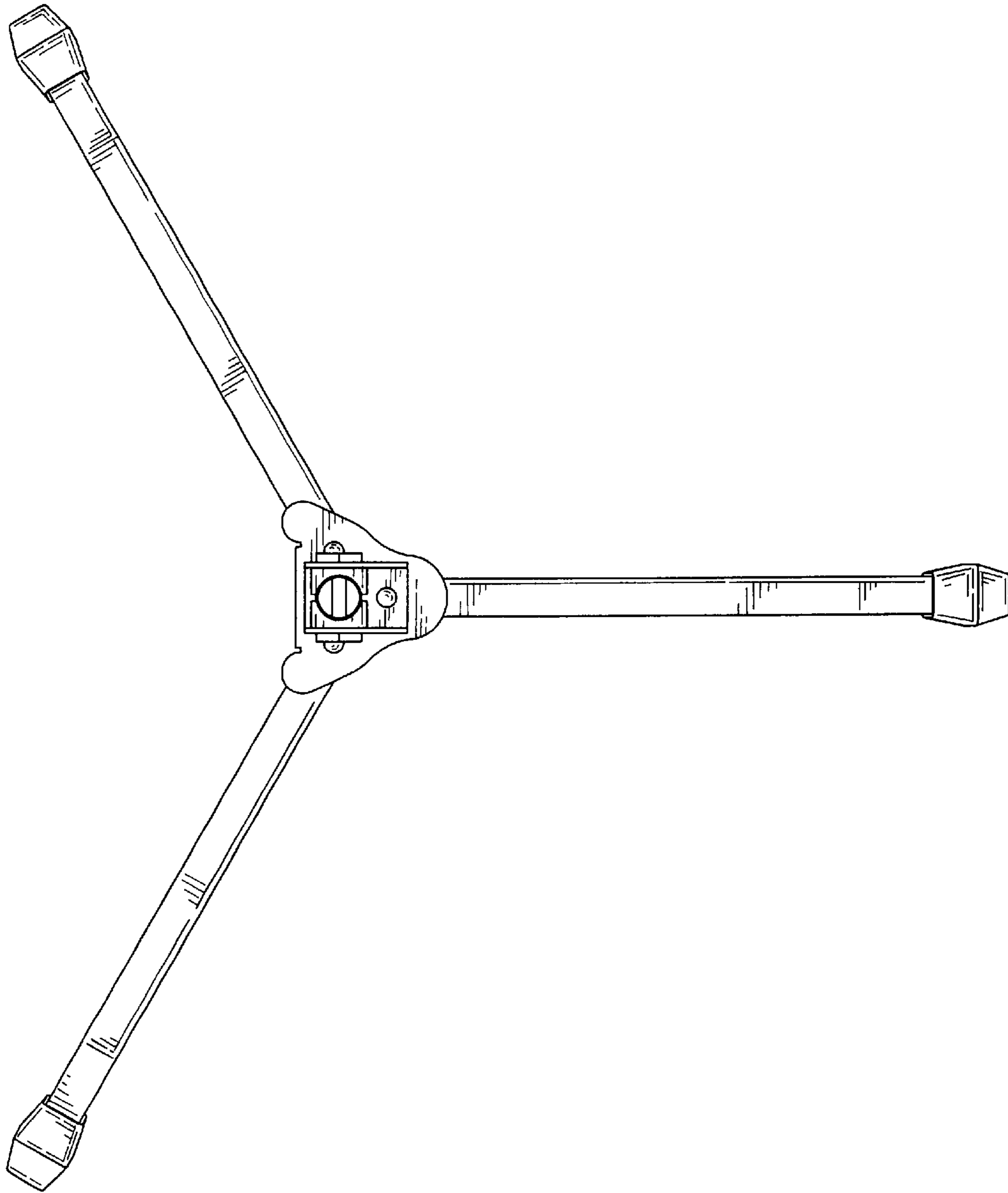


FIG. 6

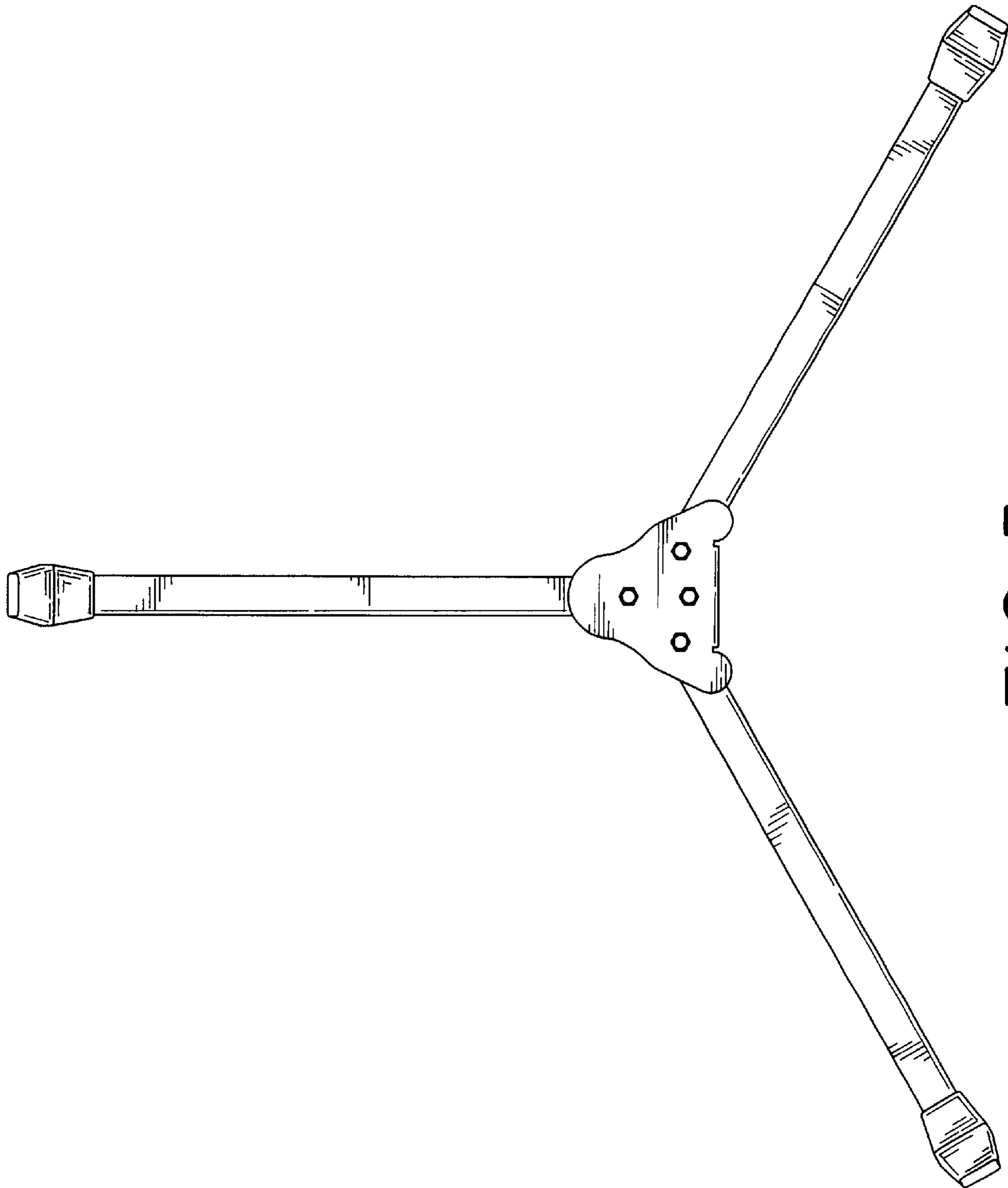


FIG. 7



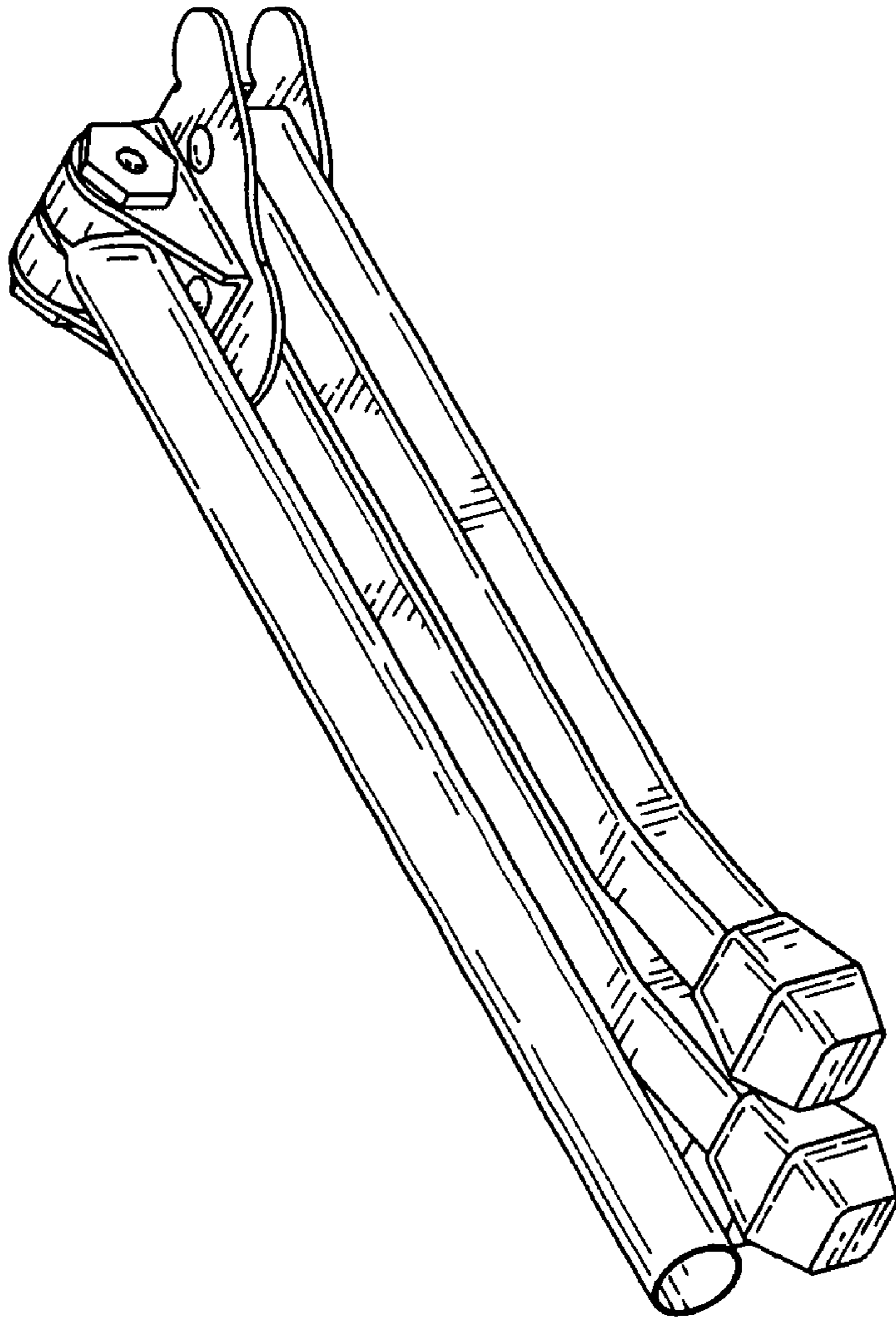


FIG. 8

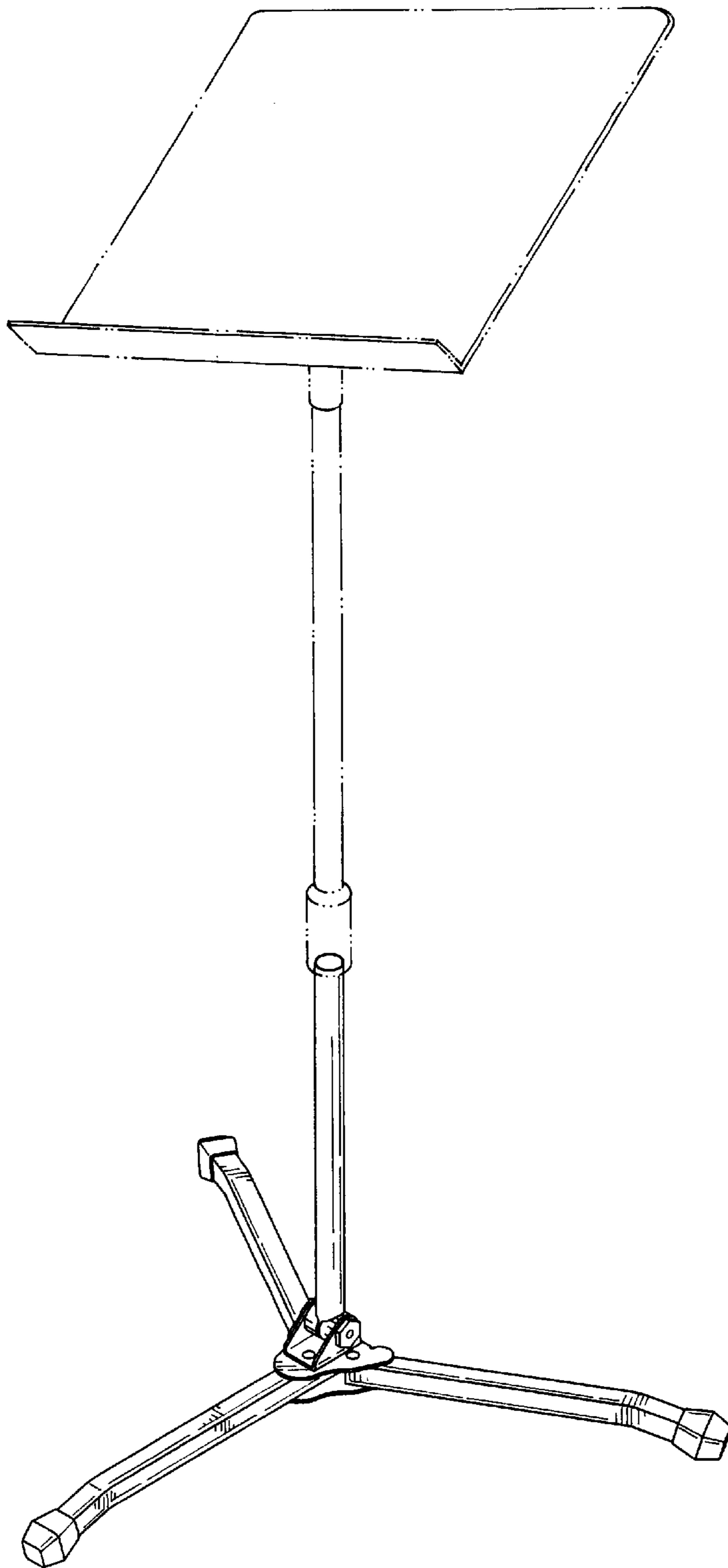


FIG. 9