



US00D481562S

(12) **United States Design Patent** (10) **Patent No.:** **US D481,562 S**
Shilling et al. (45) **Date of Patent:** **** Nov. 4, 2003**

(54) **BASE FOR AN OUTDOOR FURNITURE
PIECE**

(75) Inventors: **Jerry L. Shilling**, Syracuse, IN (US);
Richard VanOsdol, Silver Lake, IN
(US)

(73) Assignee: **Wabash Valley Manufacturing, Inc.**,
Silver Lake, IN (US)

(**) Term: **14 Years**

D293,987 S * 2/1988 Raftery D6/499
4,929,021 A 5/1990 Kaye
D315,997 S * 4/1991 Bales et al. D6/495
D327,778 S 7/1992 Crawford
D327,779 S 7/1992 Jensen et al.
D336,791 S 6/1993 Stidd
D357,590 S 4/1995 Noll
D360,536 S 7/1995 Pelletier
5,452,936 A 9/1995 Koehring
D367,184 S * 2/1996 Tolefson D6/337
D376,713 S * 12/1996 Kelso D6/496

(List continued on next page.)

(21) Appl. No.: **29/177,613**

(22) Filed: **Mar. 12, 2003**

(51) **LOC (7) Cl.** **06-06**

(52) **U.S. Cl.** **D6/495**

(58) **Field of Search** D6/334, 335, 336,
D6/337, 480, 481, 486, 487, 495, 496,
497, 499, 500-502; 297/157.1, 158.3, 158.5;
248/188.1, 188.8, 346.01

(56) **References Cited**

U.S. PATENT DOCUMENTS

D165,710 S 1/1952 Currie et al.
D182,822 S 5/1958 Kempner, Jr.
2,917,108 A 12/1959 Moritz
D190,744 S 6/1961 Guice
D194,468 S * 1/1963 Goodman D6/337
3,083,052 A * 3/1963 Thorson D6/337
D209,758 S 1/1968 Blink et al.
D218,422 S * 8/1970 Crandall D6/495
D222,806 S 1/1972 Wise
D228,162 S 8/1973 Fink
3,758,152 A 9/1973 Lake
D231,963 S 7/1974 May
3,847,424 A 11/1974 Nielsen
3,910,631 A 10/1975 Inaba
4,023,859 A 5/1977 Hagenson
4,208,072 A 6/1980 Iskendarian
D277,442 S 2/1985 Crowell
4,500,137 A 2/1985 Morehouse
D278,775 S * 5/1985 Walpin et al. D6/495
4,522,443 A 6/1985 Van Blankenburg

OTHER PUBLICATIONS

2002 "Plastisol" Coated Furniture Catalog, Wabash Valley
Manufacturing, Inc.
Vinyl Coated Steel Recreational Furniture 1998 Catalog,
Diversified Metal Fabricators, Inc.
Superior Line Outdoor/Indoor Furniture 1996 Catalog,
Fusion Coatings, Inc.
Specializing in Vinyl Coated Steel Recreational Furniture
Catalog, Diversified Metal Fabricators, Inc., 12th Edition,
Jan. 1996.
Recreation Catalog, Ken Coat, Inc., Dec. 1, 1995.

Primary Examiner—Doris V. Coles
Assistant Examiner—Mimosa De
(74) *Attorney, Agent, or Firm*—E. Victor Indiano; Indiano
Vaughan Roberts & Filomena

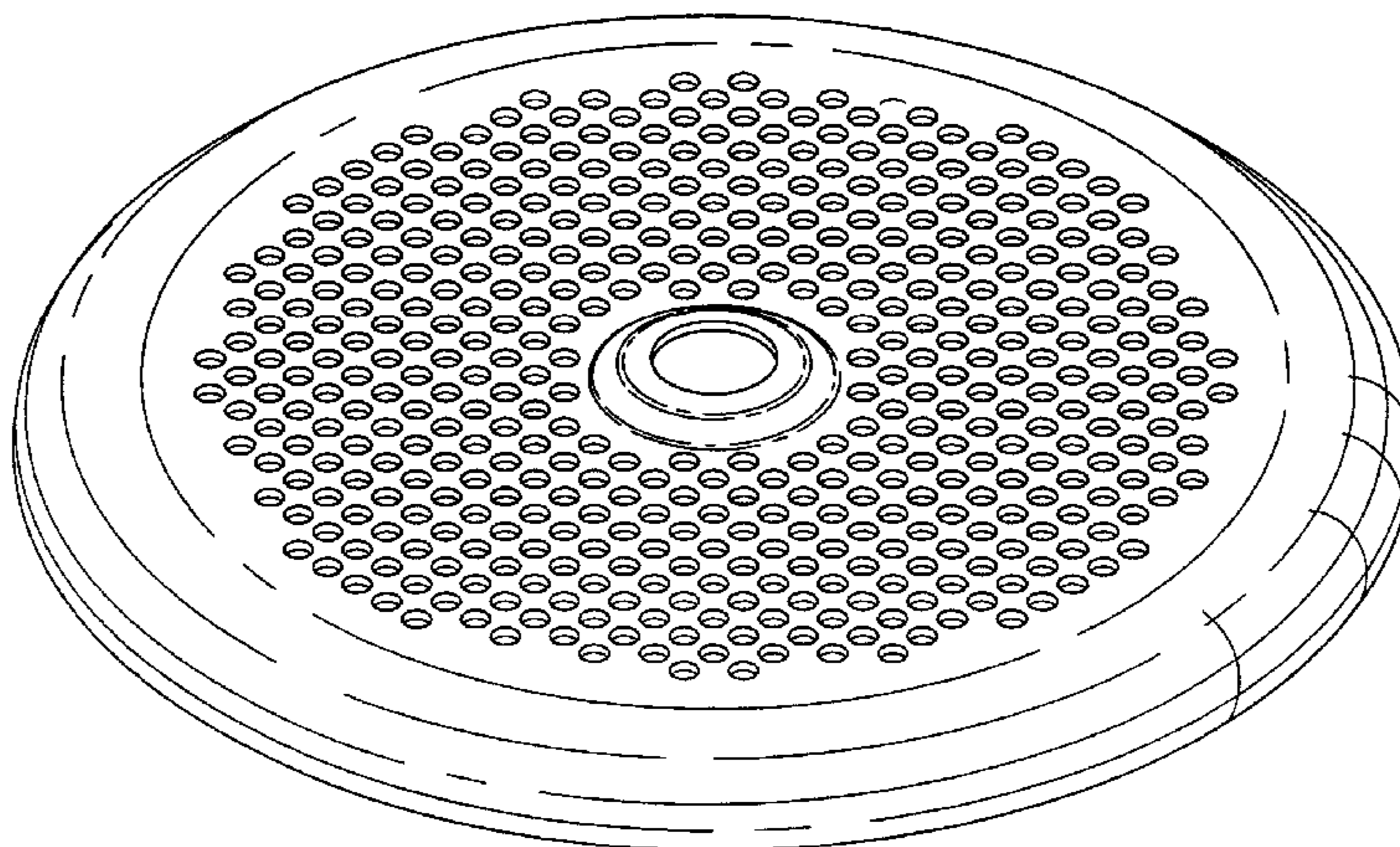
(57) **CLAIM**

The ornamental design for a base for an outdoor furniture
piece, as shown and described.

DESCRIPTION

FIG. 1 is a perspective view of a base for an outdoor
furniture piece showing our new design;
FIG. 2 is a top view thereof;
FIG. 3 is a bottom view thereof; and,
FIG. 4 is a side view thereof; the front, rear, left and right
sides thereof all being identical.

1 Claim, 4 Drawing Sheets



US D481,562 S

Page 2

U.S. PATENT DOCUMENTS

D376,935 S	*	12/1996	Nourse	D6/486	D450,496 S	*	11/2001	Schwartz et al.	D6/495
D384,213 S		9/1997	Infanti		D454,436 S		3/2002	Shilling et al.	
D417,803 S		12/1999	Shilling et al.		D456,622 S		5/2002	Moquin	
D418,988 S		1/2000	Shilling et al.		D464,207 S		10/2002	Bell et al.	
D418,989 S		1/2000	Shilling et al.		D467,437 S		12/2002	Ott	
D420,521 S		2/2000	Shilling et al.		D467,438 S		12/2002	Ott	
D422,420 S		4/2000	Shilling et al.		D468,837 S		1/2003	Shilling et al.	
D432,797 S		10/2000	Schilling et al.						

* cited by examiner

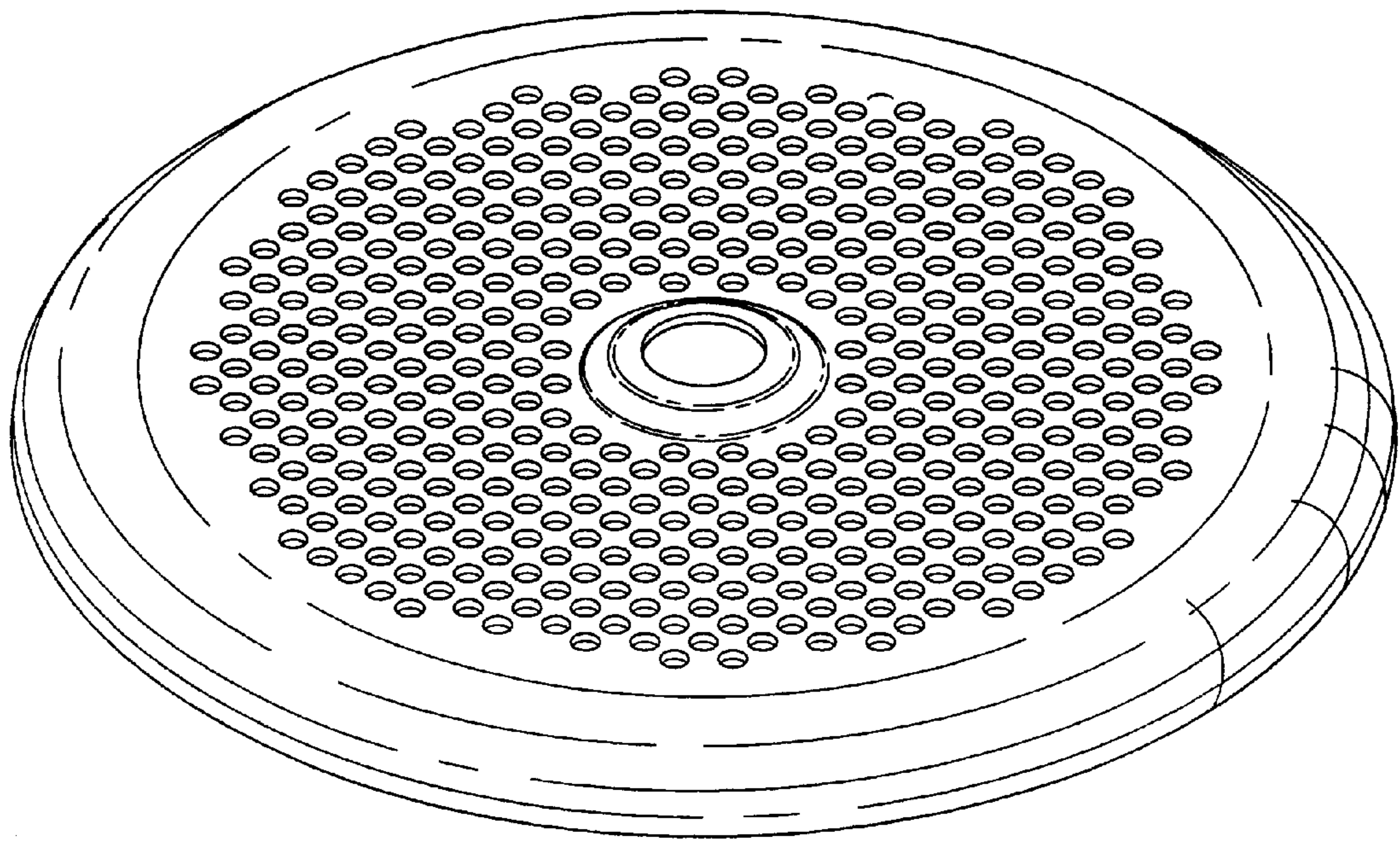


Fig. 1

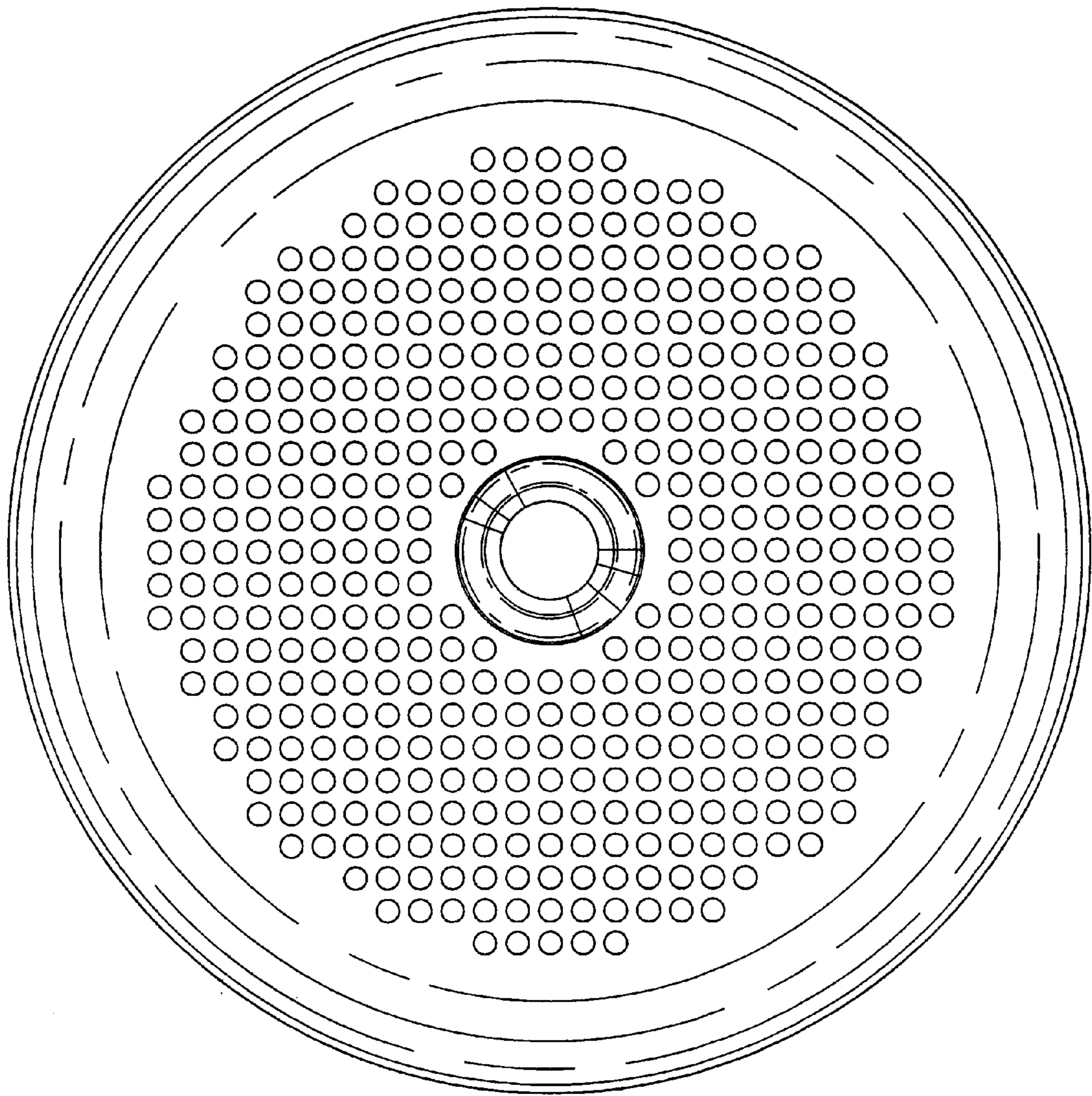


Fig. 2

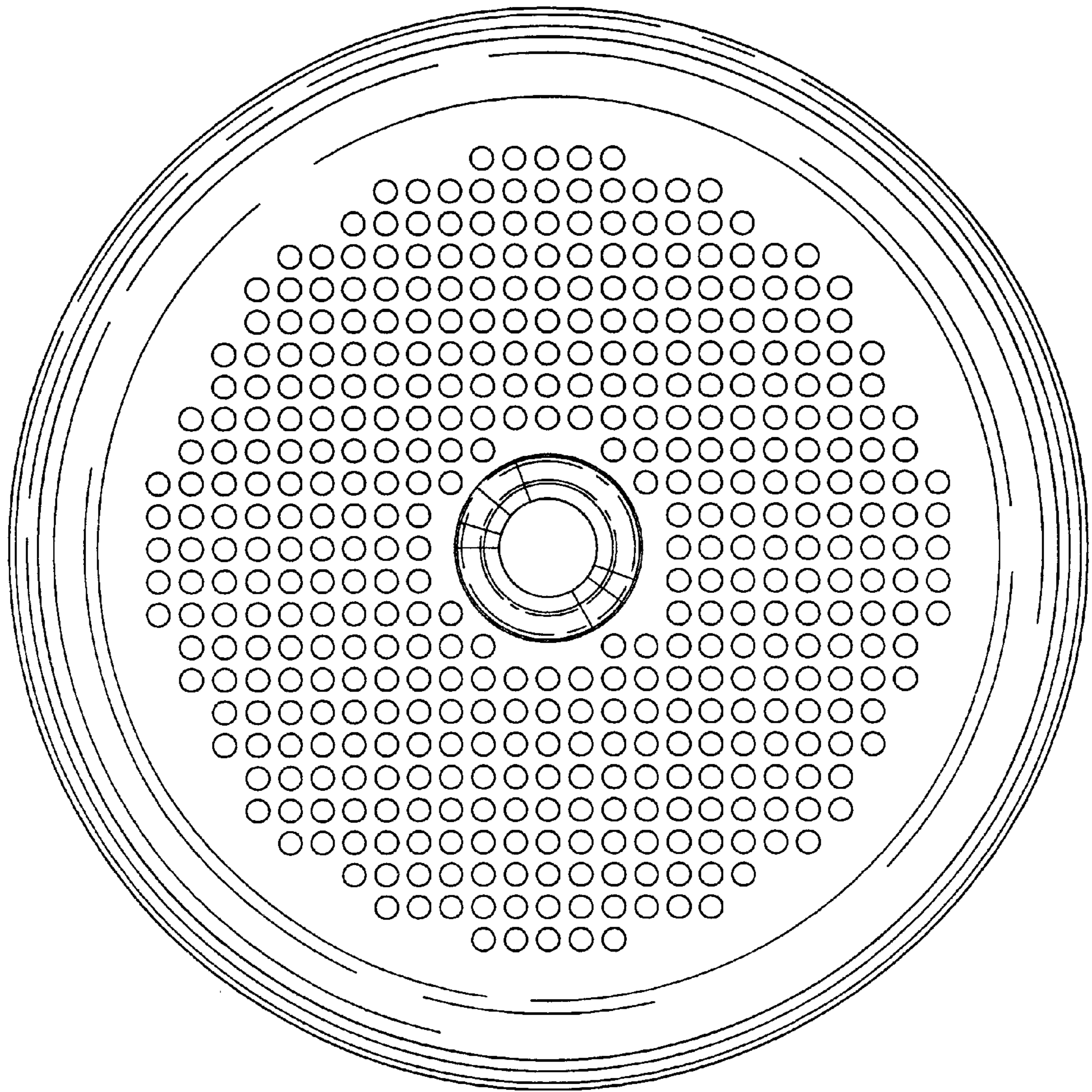


Fig. 3

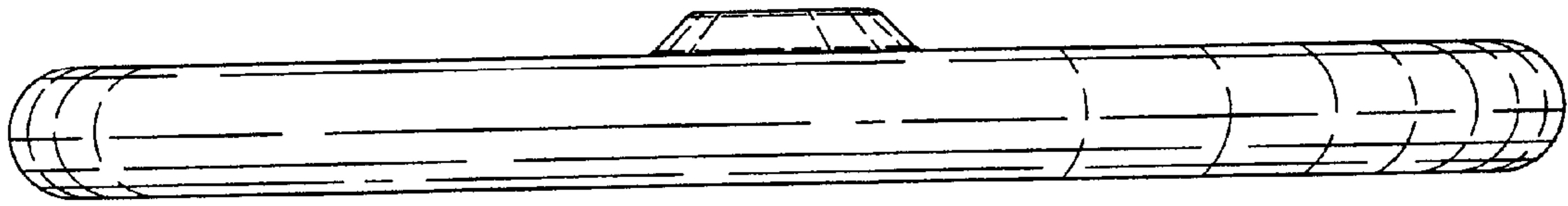


Fig. 4