



US00D481560S

(12) **United States Design Patent**
Vidmar et al.

(10) **Patent No.:** **US D481,560 S**

(45) **Date of Patent:** **** Nov. 4, 2003**

(54) **STRUT FOR A SHOE STORAGE RACK**

(75) Inventors: **James F. Vidmar**, Willoughby, OH
(US); **Peter D. Rimback**, South Euclid,
OH (US)

(73) Assignee: **HSN Improvements, LLC**,
Weehawken, NJ (US)

(**) Term: **14 Years**

(21) Appl. No.: **29/163,374**

(22) Filed: **Jul. 2, 2002**

(51) **LOC (7) Cl.** **06-06**

(52) **U.S. Cl.** **D6/491; D6/492; D8/381**

(58) **Field of Search** D6/409-411, 464,
D6/465, 477-479, 491, 509, 511, 570; D8/349,
381; 211/34-38; 248/235, 241

(56) **References Cited**

U.S. PATENT DOCUMENTS

2,620,929	A	12/1952	Sportsman	
D228,852	S	* 10/1973	Vogelhuber D8/373 X
3,792,804	A	2/1974	Ponzo	
D373,719	S	* 9/1996	Lin D8/373
D377,728	S	2/1997	Klein et al.	
5,617,959	A	* 4/1997	Klein et al. 211/37

D382,434	S	8/1997	Klein et al.	
D385,481	S	10/1997	Klein et al.	
5,695,073	A	12/1997	Klein et al.	
D393,961	S	* 5/1998	Whitehead et al. D6/464
5,855,279	A	1/1999	Klein et al.	
6,138,841	A	* 10/2000	Klein et al. 211/85.7
6,247,602	B1	* 6/2001	Klein et al. 211/189
D469,004	S	* 1/2003	Winig et al. D8/381
D469,642	S	* 2/2003	Herron Jr. et al. D6/492

* cited by examiner

Primary Examiner—Cathron C. Brooks

(74) *Attorney, Agent, or Firm*—Thompson Hine LLP

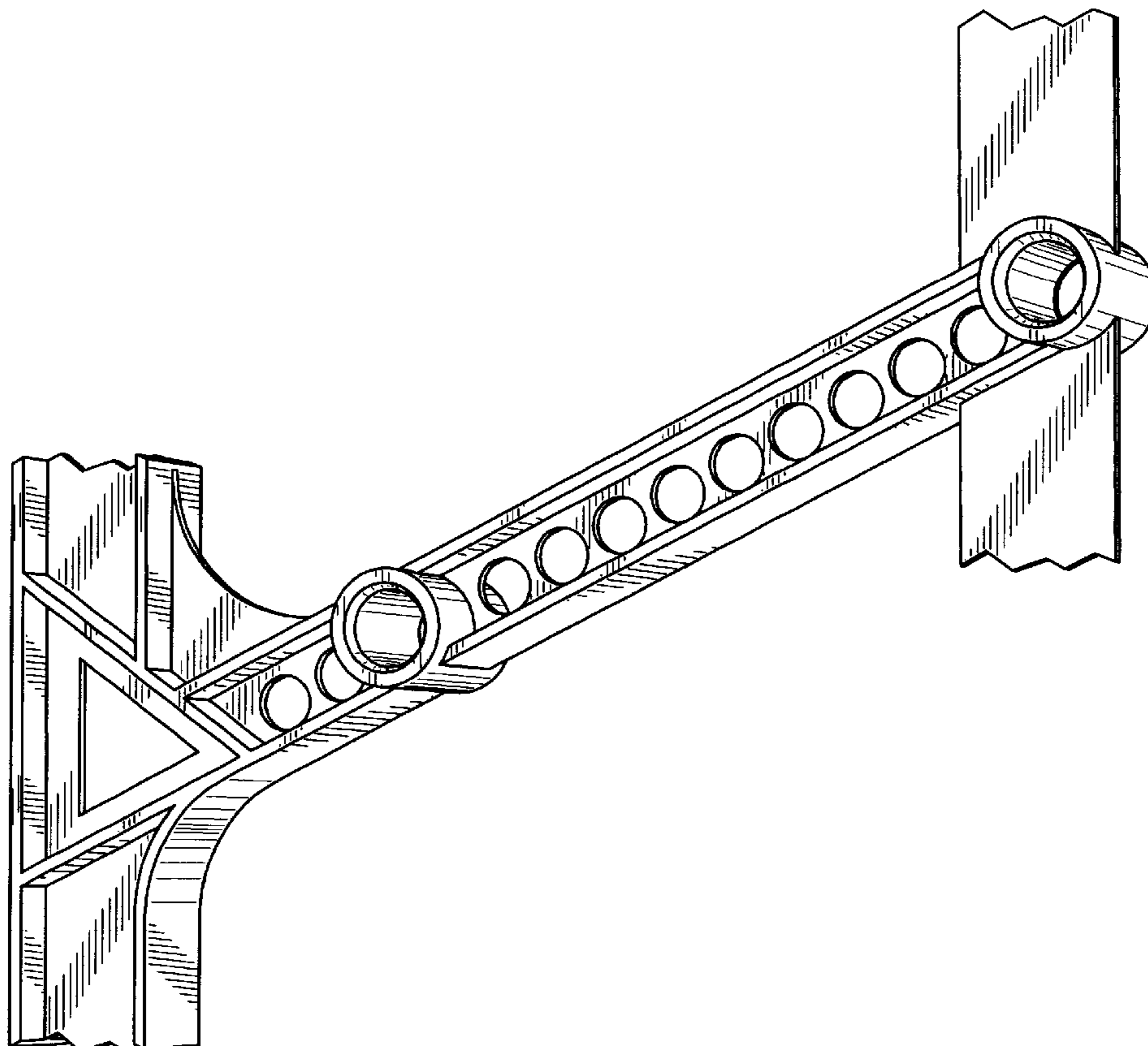
(57) **CLAIM**

The ornamental design for a strut for a shoe storage rack, as shown and described.

DESCRIPTION

FIG. 1 is a side perspective view of my new strut for a shoe storage rack;
FIG. 2 is a side elevational view thereof;
FIG. 3 is a top plan view thereof;
FIG. 4 is a bottom plan view thereof;
FIG. 5 is a rear elevational view thereof; and,
FIG. 6 is a front elevational view thereof.

1 Claim, 4 Drawing Sheets



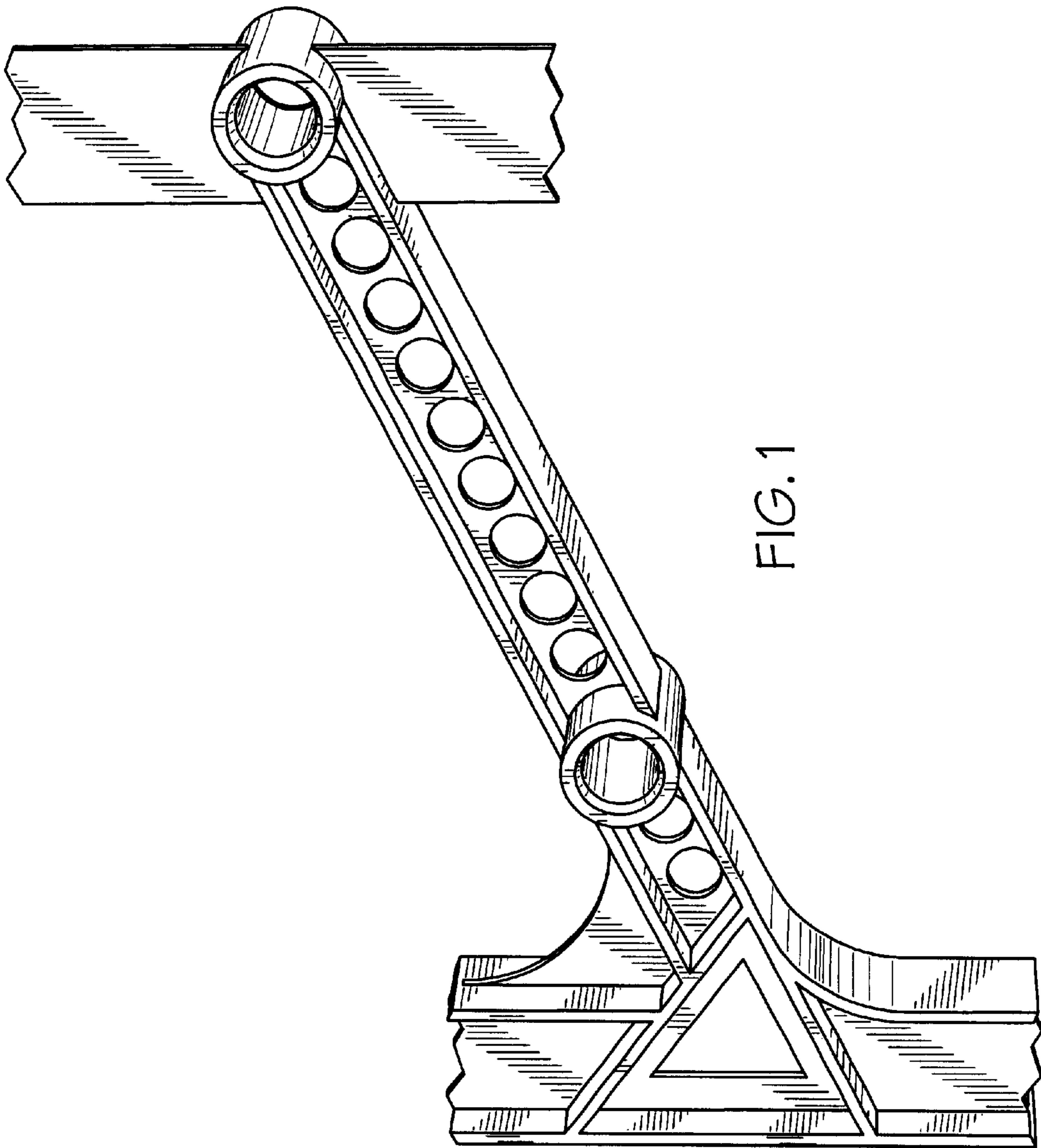


FIG. 1

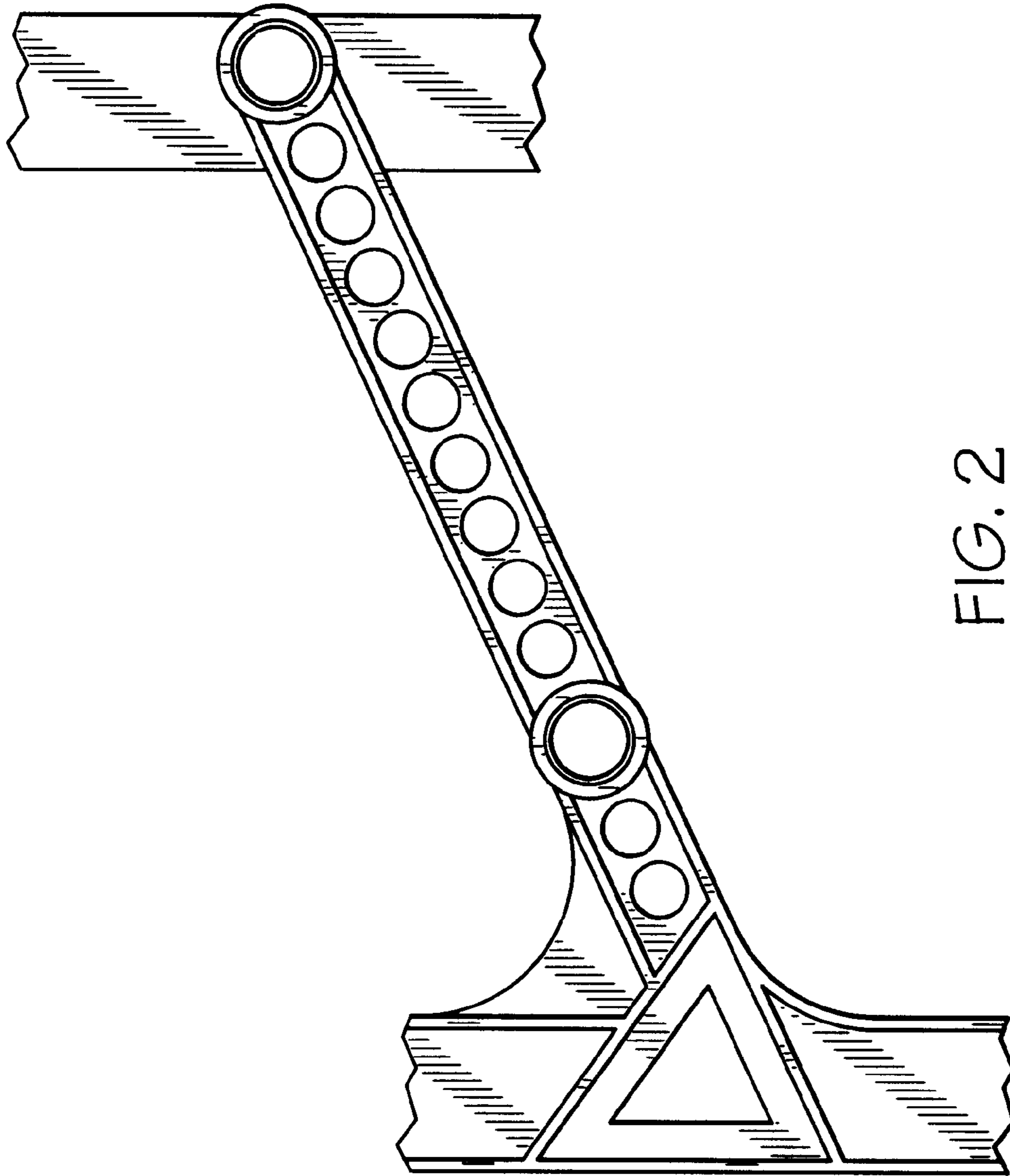


FIG. 2

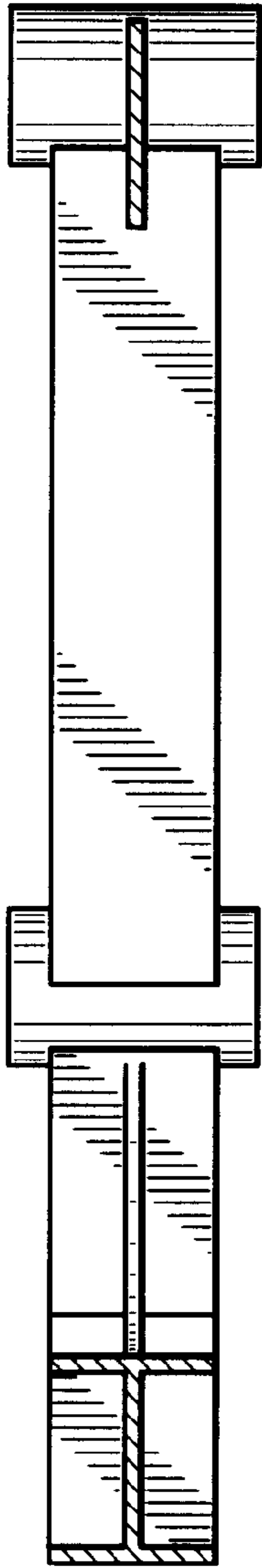


FIG. 3

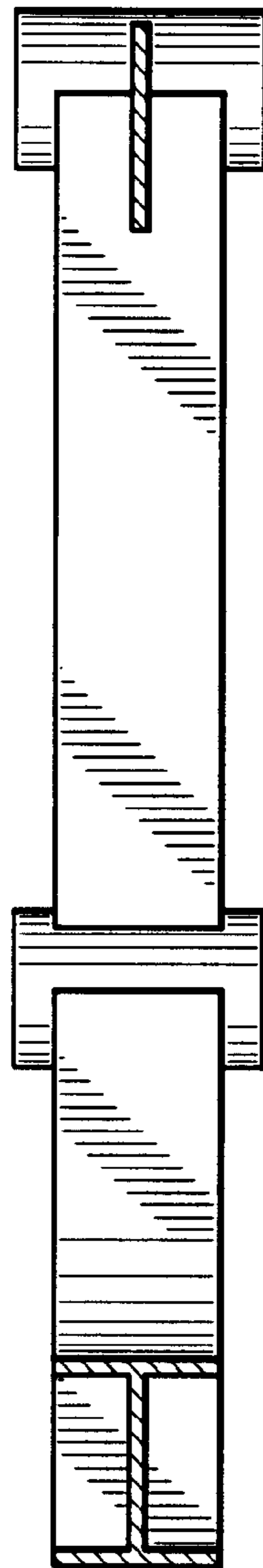


FIG. 4



FIG. 6

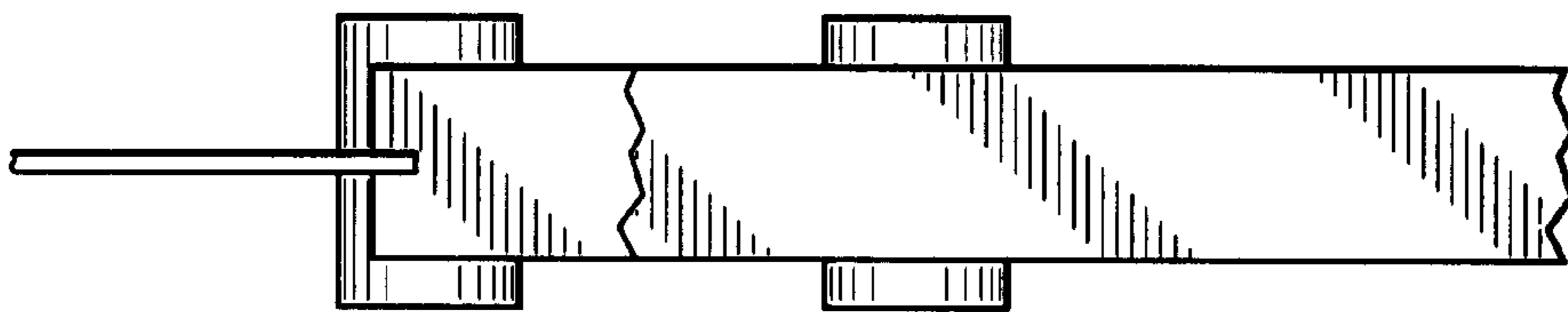


FIG. 5