



US00D481559S

(12) **United States Design Patent**  
**Weaver**

(10) **Patent No.:** **US D481,559 S**

(45) **Date of Patent:** **\*\* Nov. 4, 2003**

(54) **TABLE**

(75) **Inventor:** **Paul J. Weaver**, San Francisco, CA (US)

(73) **Assignee:** **Michael Taylor Designs, Inc.**, San Francisco, CA (US)

(\*\*) **Term:** **14 Years**

(21) **Appl. No.:** **29/176,360**

(22) **Filed:** **Feb. 20, 2003**

(51) **LOC (7) Cl.** ..... **06-03**

(52) **U.S. Cl.** ..... **D6/486**

(58) **Field of Search** ..... D6/480-489, 495-499, D6/511; 108/150, 153.1, 155, 156, 157.1, 161; 248/188, 188.1, 188.8

(56) **References Cited**

**U.S. PATENT DOCUMENTS**

522,221	A	*	7/1894	Lucashevski	.....	108/150
2,576,287	A	*	11/1951	English	.....	D6/486
D308,611	S	*	6/1990	Hubert	.....	D6/486
5,445,352	A	*	8/1995	Long	.....	248/354.5
D466,727	S	*	12/2002	Abboud et al.	.....	D6/486

**OTHER PUBLICATIONS**

Grosfillex, Contract 1989, p. 3, table at right and bottom.\*  
Weaver, pending U.S. design patent application Ser. No. 29/176,354, filed Feb. 20, 2003, entitled "TABLE BASE".

Weaver, pending U.S. design patent application Ser. No. 29/176,358, filed Feb. 20, 2003, entitled "TABLE BASE".  
Weaver, pending U.S. design patent application Ser. No. 29/176,315, filed Feb. 20, 2003, entitled "TABLE BASE".  
Weaver, pending U.S. design patent application Ser. No. 29/176,300, filed Feb. 20, 2003, entitled "PLATFORM".  
Architectural Digest, "La Quinta Norte—Douglas S. Cramer's Ranch in Santa Ynez Valley", pp. 137-147, May 1985.  
Weaver, pending U.S. design patent application Ser. No. 29/176307, filed Feb. 20, 2003, entitled "OTTOMAN".

\* cited by examiner

*Primary Examiner*—Janice E. Seeger

(74) *Attorney, Agent, or Firm*—Heslin Rothenberg Farley & Mesiti P.C.

(57) **CLAIM**

The ornamental design for the table, as shown and described.

**DESCRIPTION**

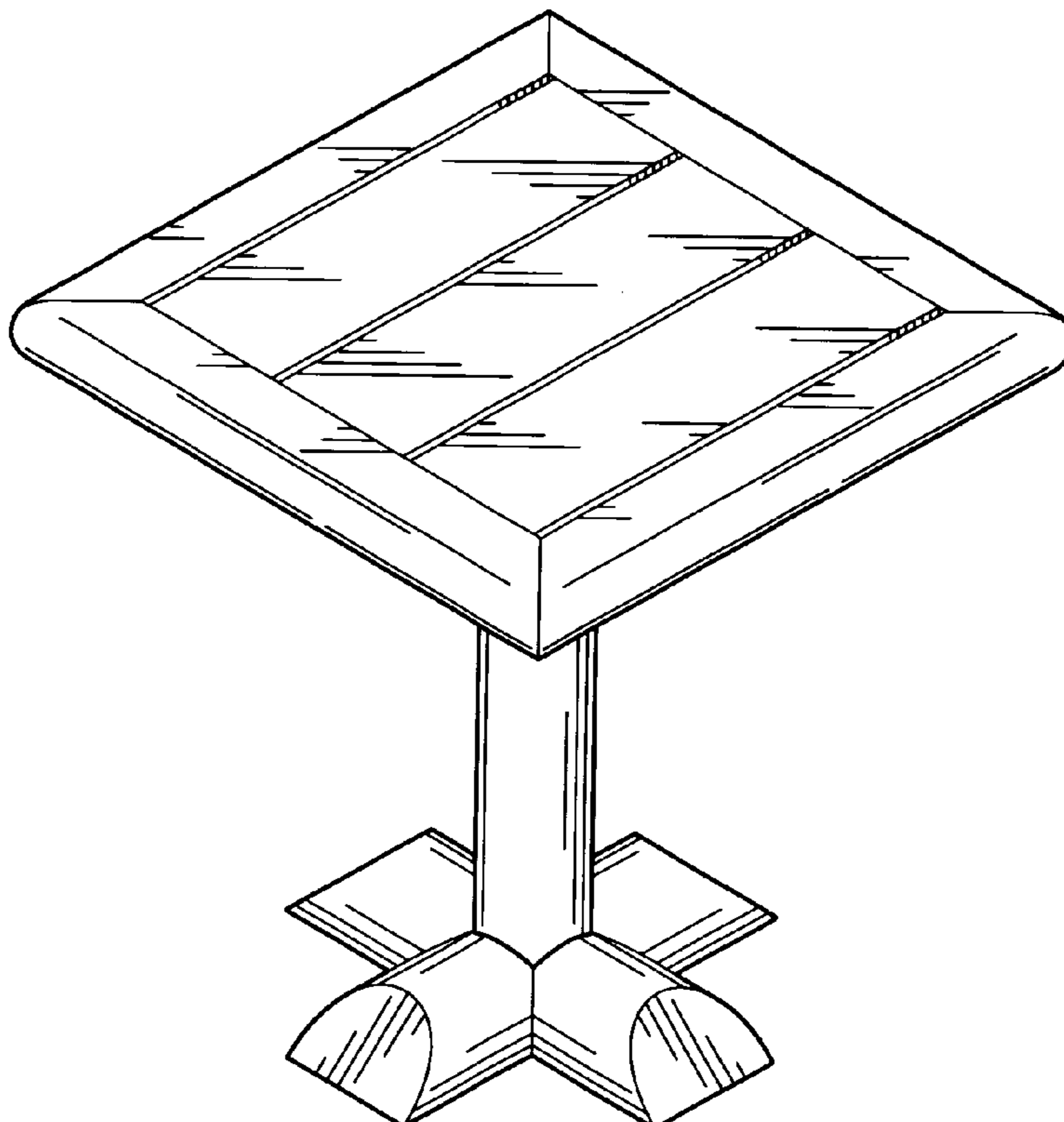
FIG. 1 is a perspective view of a table in accordance with the new design;

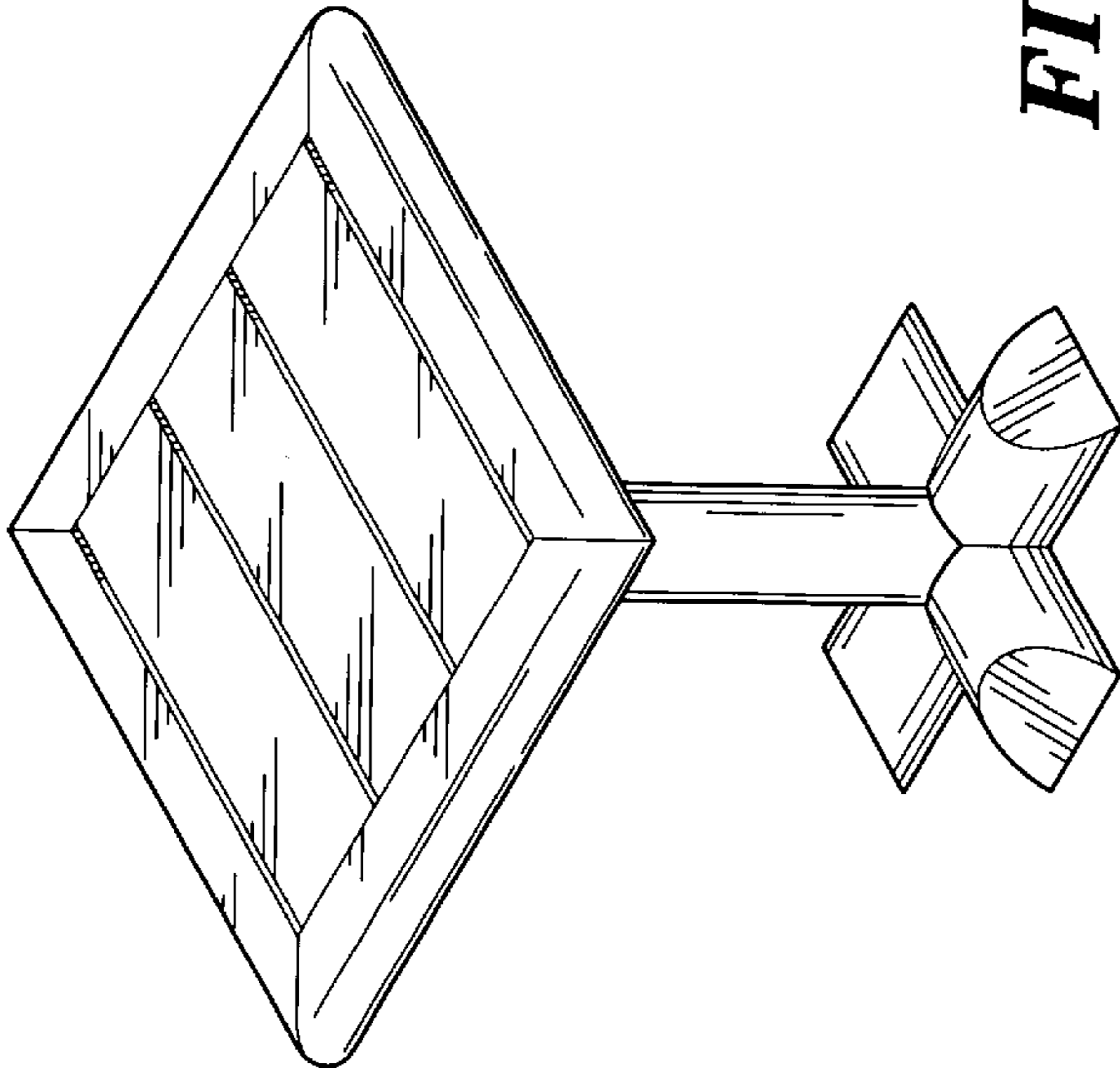
FIG. 2 is a top view thereof;

FIG. 3 is a front elevational view thereof, a rear elevational view being a mirror image thereof; and,

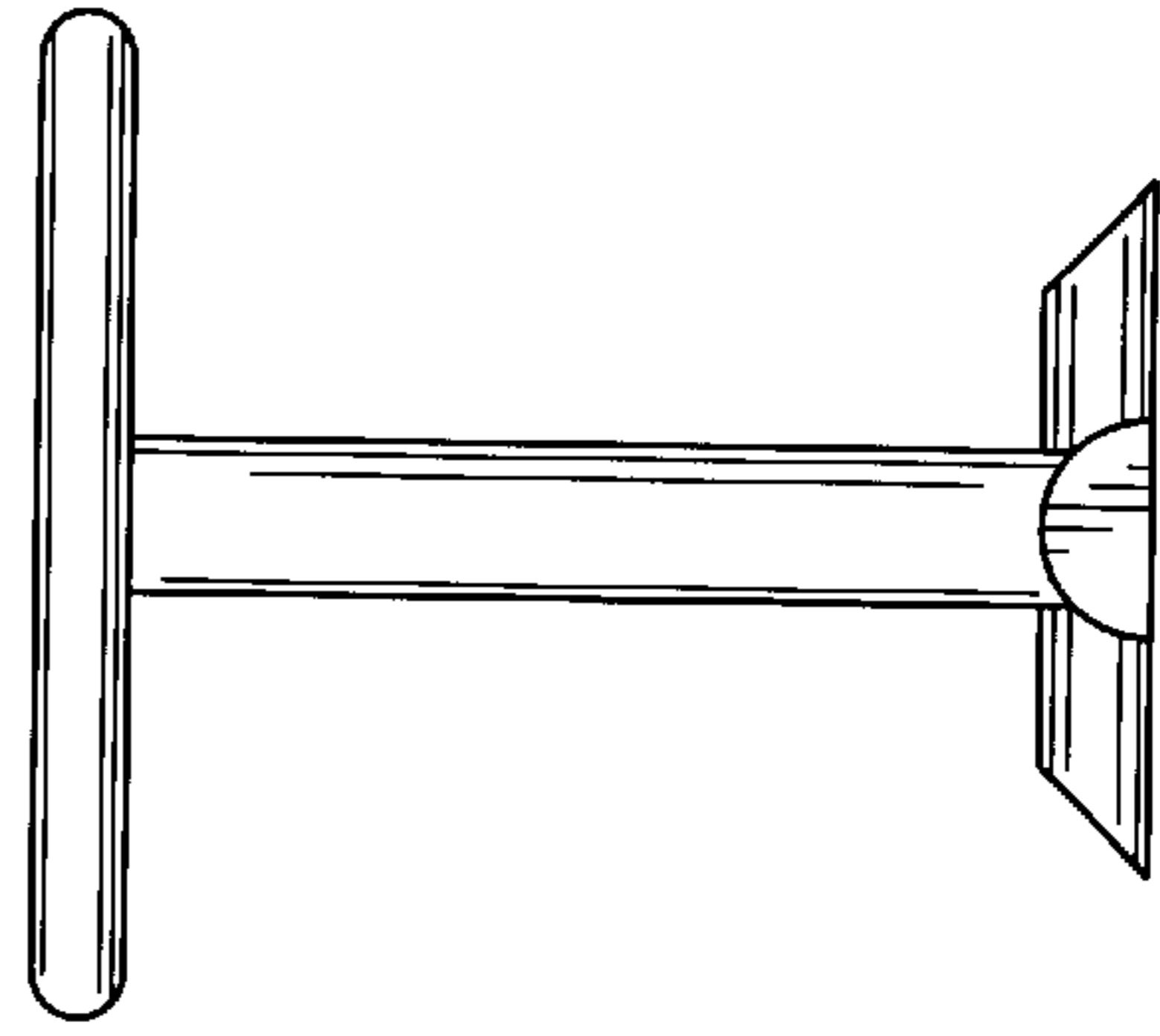
FIG. 4 is a left side elevational view thereof, a right side elevational view being a mirror image thereof.

**1 Claim, 1 Drawing Sheet**

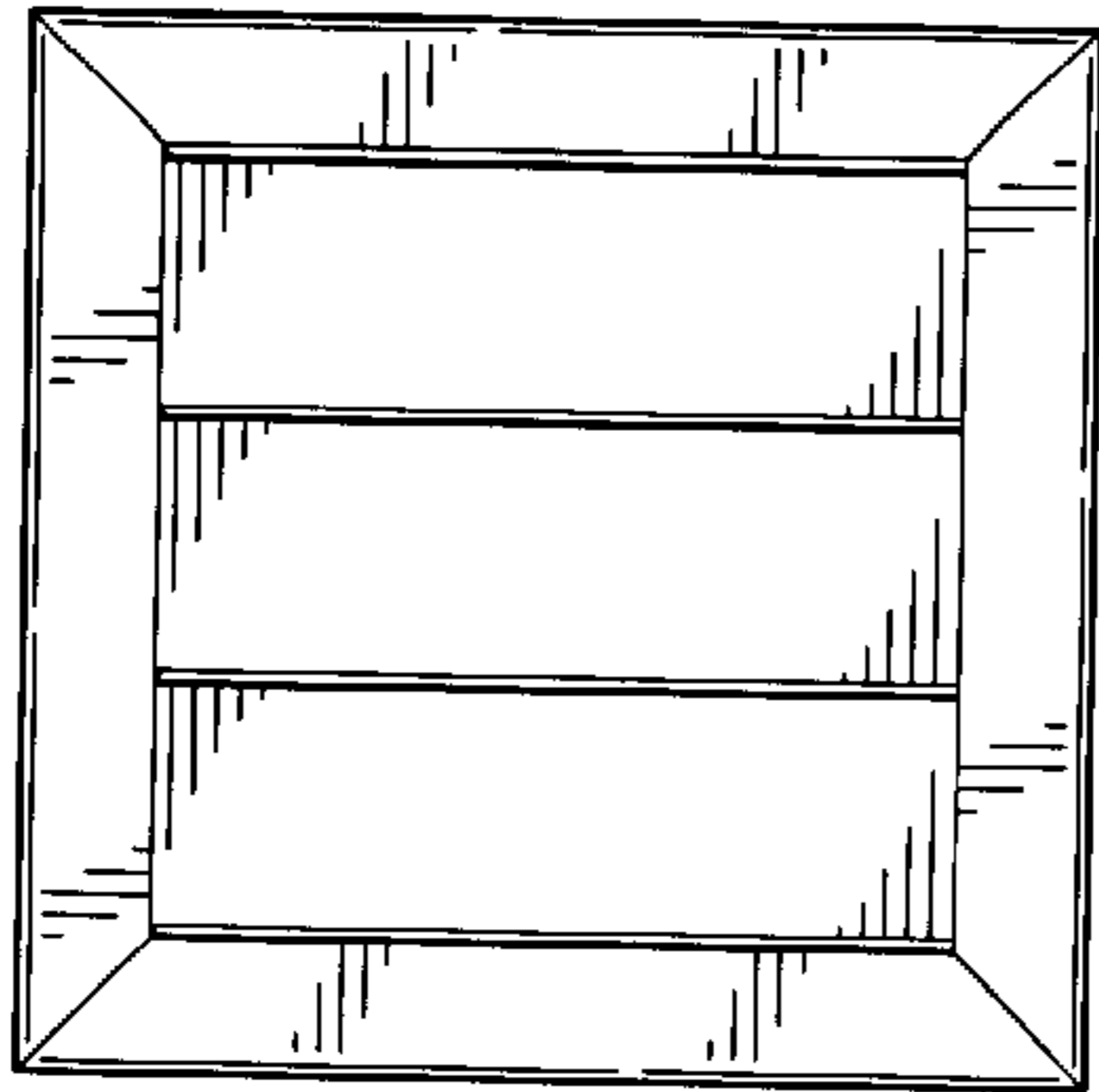




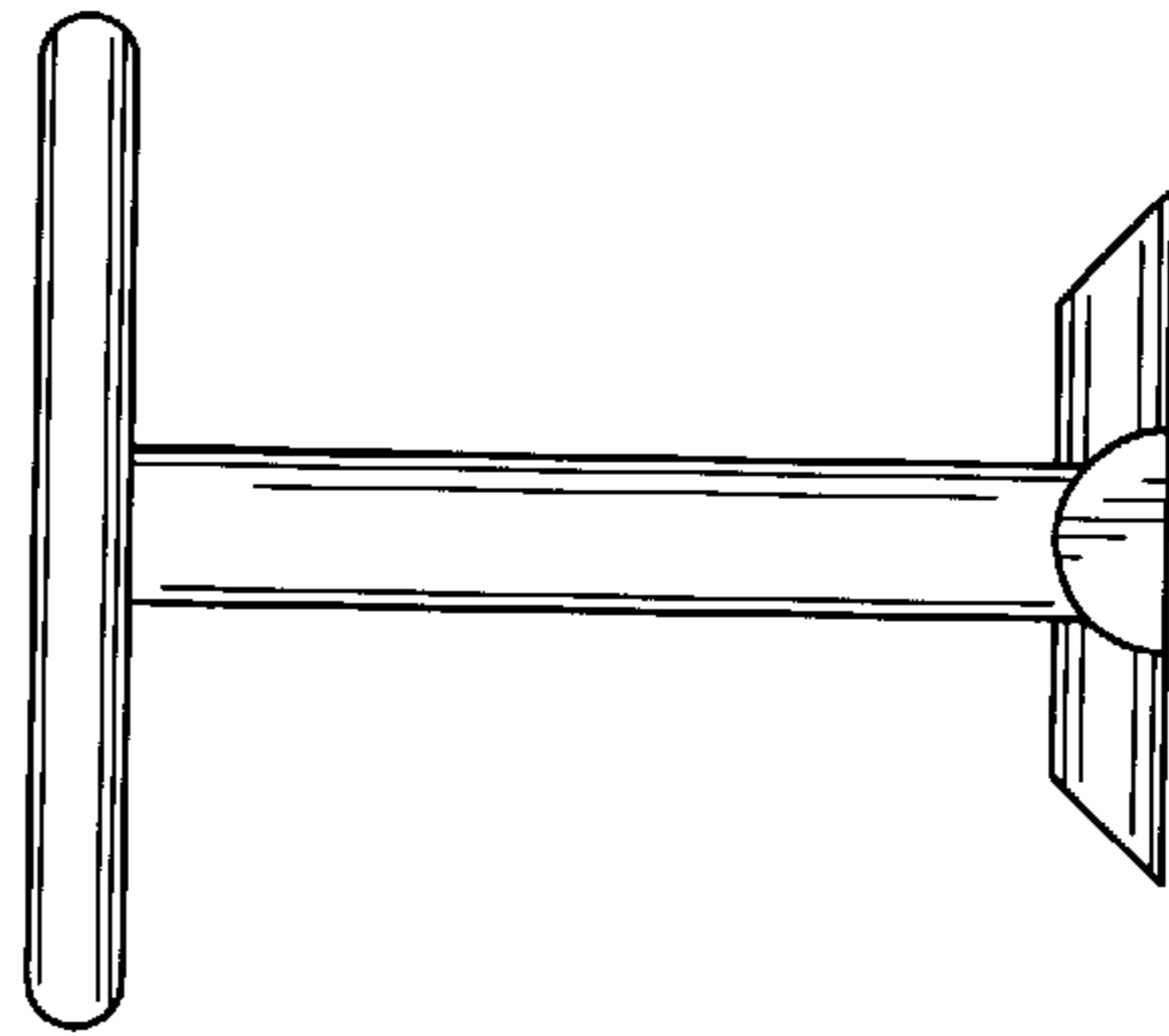
**FIG. 1**



**FIG. 4**



**FIG. 2**



**FIG. 3**