



US00D481558S

(12) **United States Design Patent**
Milligan

(10) **Patent No.:** **US D481,558 S**

(45) **Date of Patent:** **** Nov. 4, 2003**

(54) **CABINET**

(75) **Inventor:** **Geoffrey Milligan, East York (CA)**

(73) **Assignee:** **TK Canada Limited, Downsview (CA)**

(**) **Term:** **14 Years**

(21) **Appl. No.:** **29/174,512**

(22) **Filed:** **Jan. 22, 2003**

Related U.S. Application Data

(62) Division of application No. 29/149,417, filed on Oct. 11, 2001, now Pat. No. Des. 477,474.

(30) **Foreign Application Priority Data**

Apr. 12, 2001 (CA) 2001-0959

(51) **LOC (7) Cl.** **06-04**

(52) **U.S. Cl.** **D6/470; D6/446**

(58) **Field of Search** D6/432, 445, 446,
D6/448, 470, 553, 559, 561; 312/114, 119,
204

(56) **References Cited**

U.S. PATENT DOCUMENTS

| | | | | | |
|------------|---|---------|--------------|-------|--------|
| D193,717 S | * | 10/1962 | Deaton | | D6/446 |
| D197,502 S | * | 2/1964 | Elliott | | D6/561 |
| D208,710 S | * | 9/1967 | Babcock | | D6/436 |
| D236,779 S | * | 9/1975 | Nowak | | D6/561 |
| D241,213 S | * | 8/1976 | Montague | | D6/436 |
| D251,945 S | * | 5/1979 | Offredi | | D6/436 |
| D263,437 S | * | 3/1982 | Parrish, III | | D6/438 |
| D300,487 S | * | 4/1989 | Dyer | | D6/446 |
| D306,669 S | * | 3/1990 | Otema | | D6/470 |
| D312,014 S | * | 11/1990 | Friedman | | D6/509 |
| D312,738 S | * | 12/1990 | Newhouse | | D6/446 |

| | | | | | |
|-------------|---|---------|------------------|-------|---------|
| 5,016,946 A | * | 5/1991 | Reznikov et al. | | 312/108 |
| D325,828 S | * | 5/1992 | Cochran et al. | | D6/429 |
| D334,852 S | * | 4/1993 | Beirise | | D6/436 |
| D336,392 S | * | 6/1993 | Whalen | | D6/446 |
| D370,798 S | * | 6/1996 | Rosen | | D6/446 |
| D370,799 S | * | 6/1996 | Rosen | | D6/446 |
| D400,930 S | * | 11/1998 | Smith | | D20/42 |
| D410,351 S | * | 6/1999 | Magnusson et al. | | D6/446 |

OTHER PUBLICATIONS

Mobile Package # MP-4, Steelcase Catalog, p. 18, 1971.*
Computer Hutch, (E), Jacobs Gardner, p. 134, 1999.*
Aperture by Halcon, p. 91, NeoCon Catalog, 2000.*
Cabinet, GF Furniture Systems, p. 10, 1984 Seatings Solutions.*

* cited by examiner

Primary Examiner—Cathron C. Brooks

(74) *Attorney, Agent, or Firm*—Bereskin & Parr

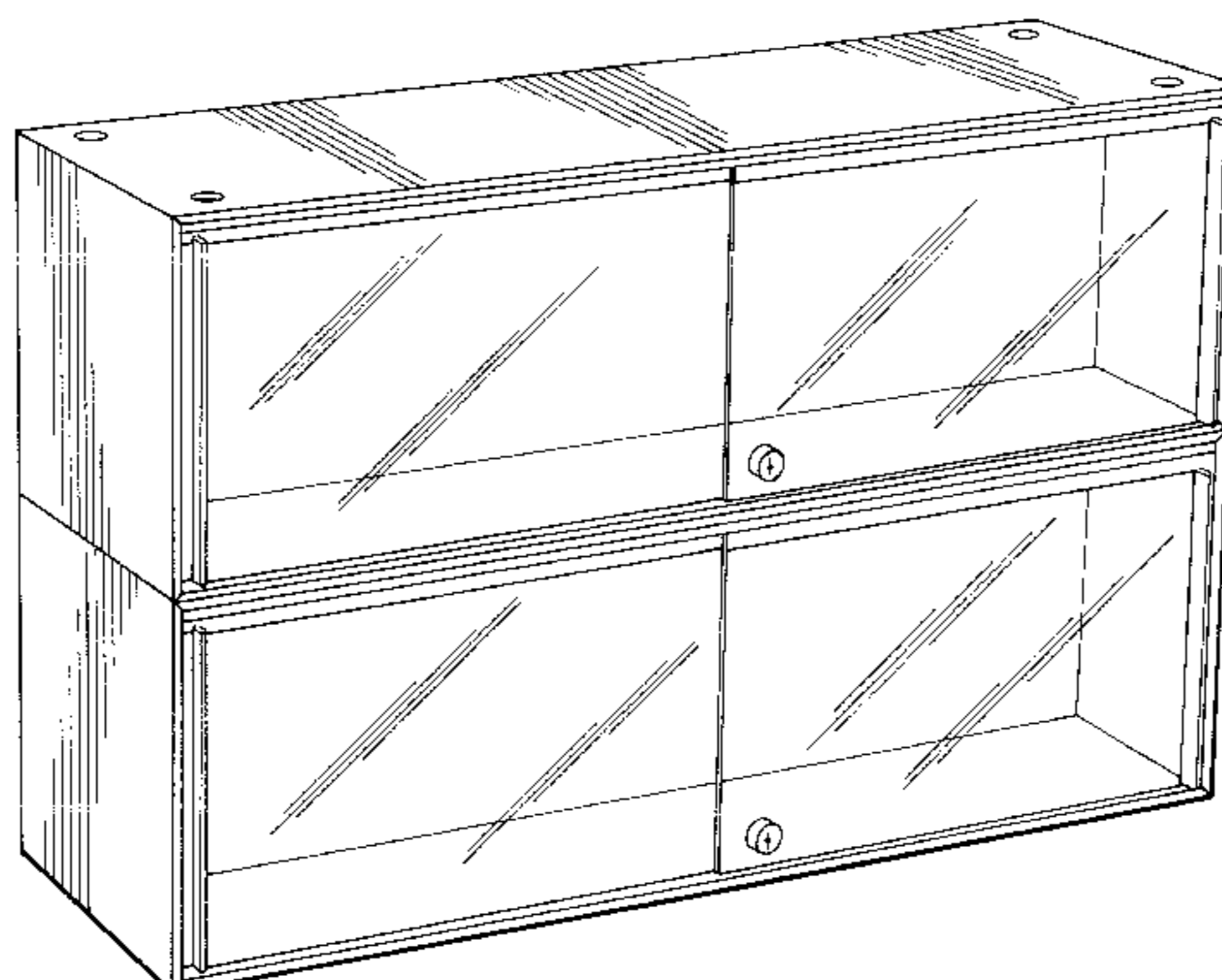
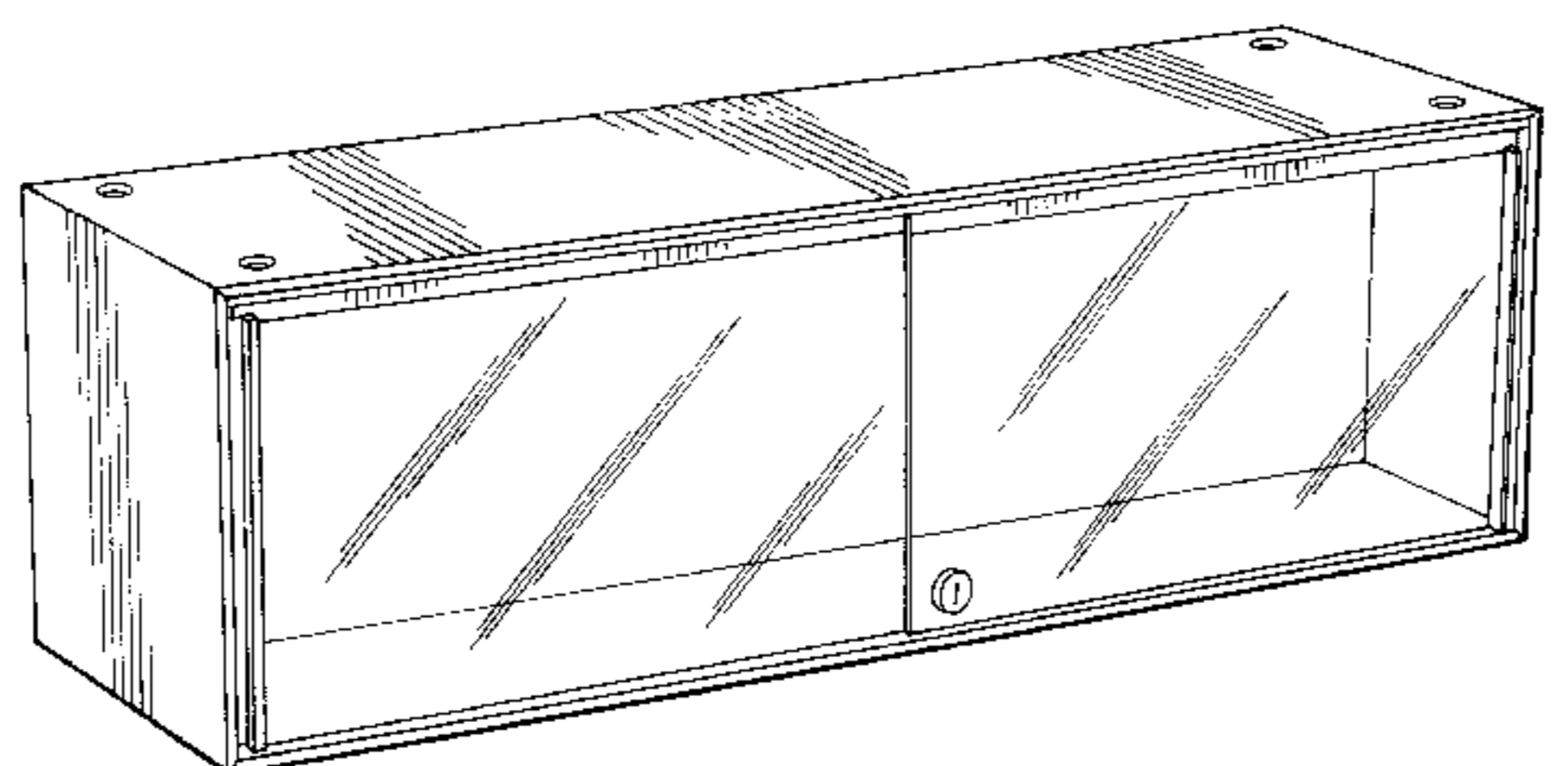
(57) **CLAIM**

The ornamental Design for a cabinet, as shown and described.

DESCRIPTION

FIG. 1 is a three-quarter perspective view from above of the cabinet in accordance with a first embodiment of my Design; FIG. 2 is a front elevational view; FIG. 3 is a rear elevational view; FIG. 4 is a top plan view; FIG. 5 is a bottom plan view; FIG. 6 is an elevational view from the left in FIG. 1; the view from the right is a mirror image; and, FIG. 7 is a view similar to FIG. 1 illustrating a second embodiment of my Design.

1 Claim, 4 Drawing Sheets



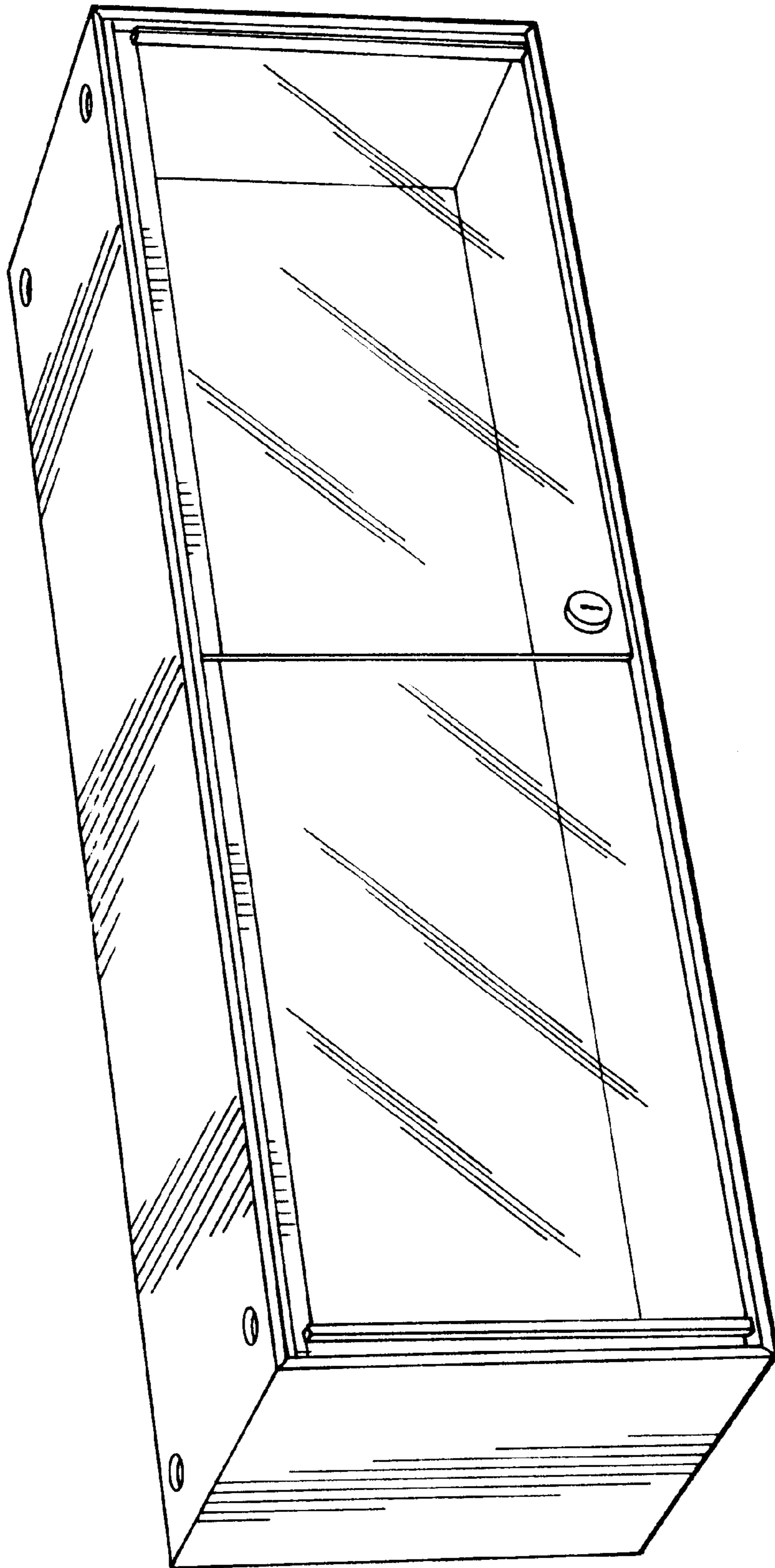
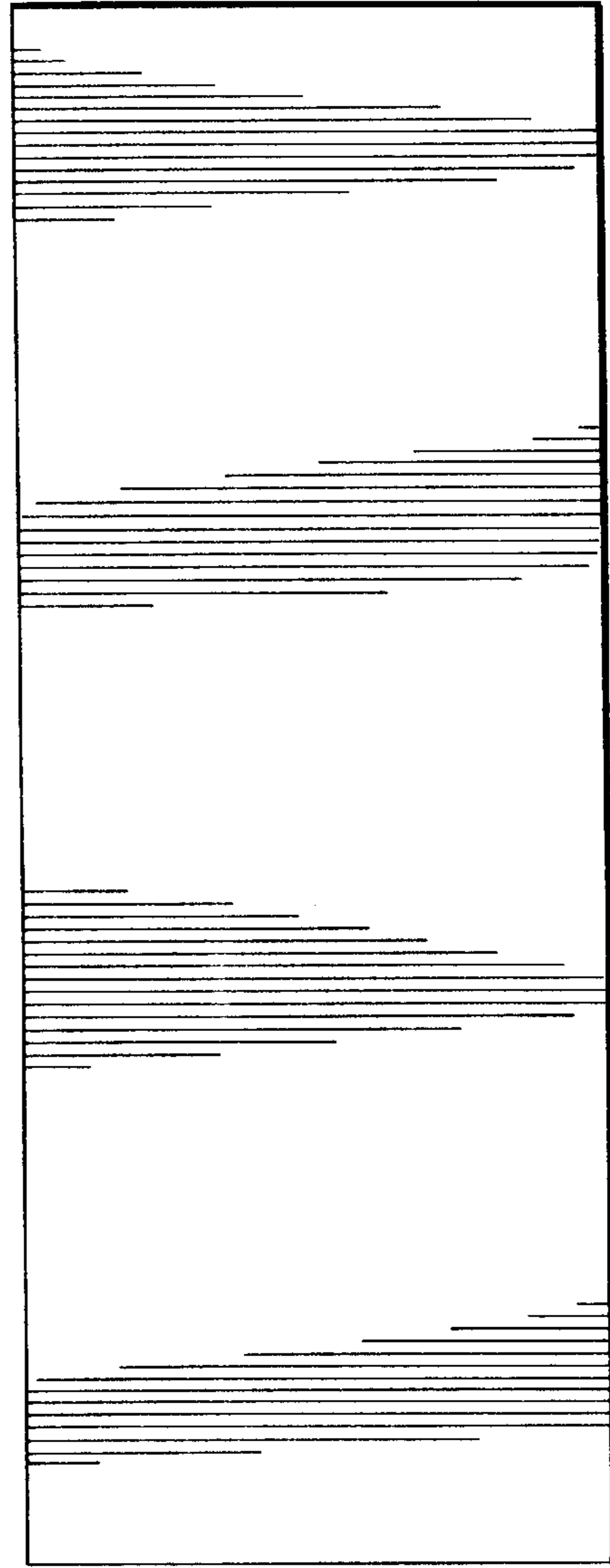
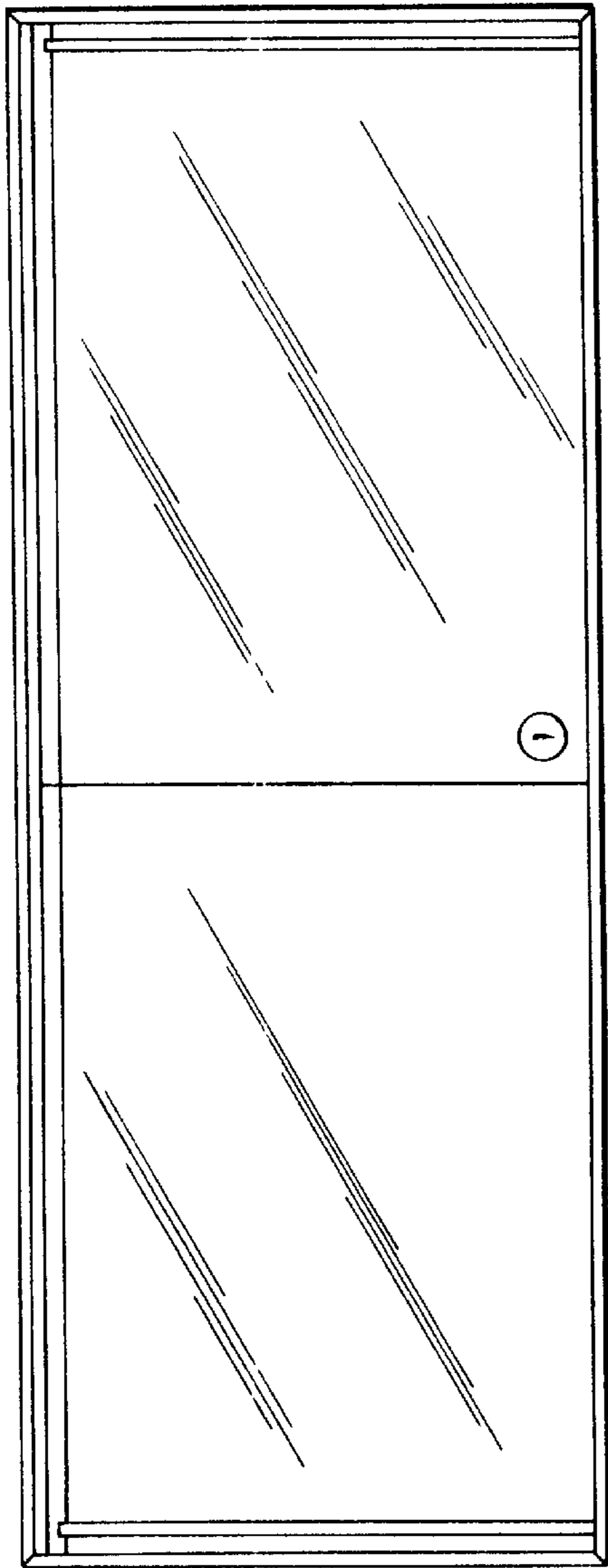


FIG. 1.



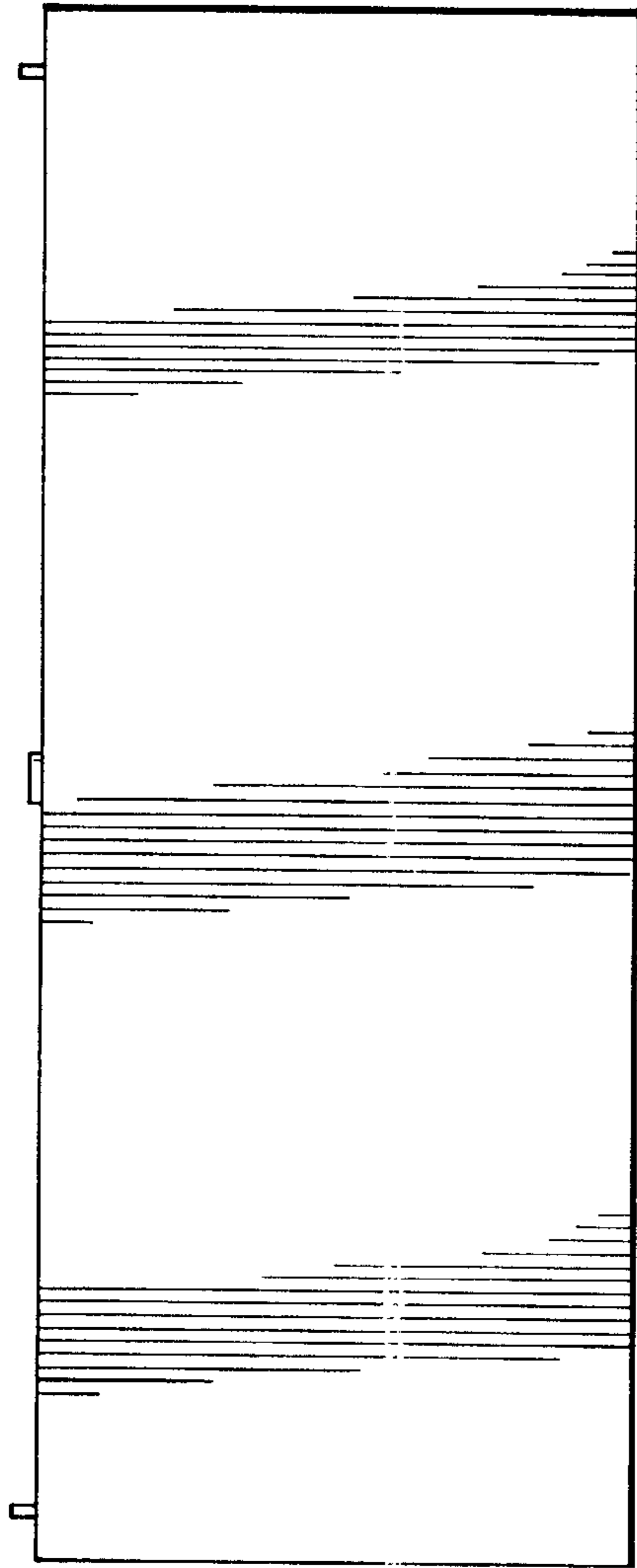


FIG. 5.

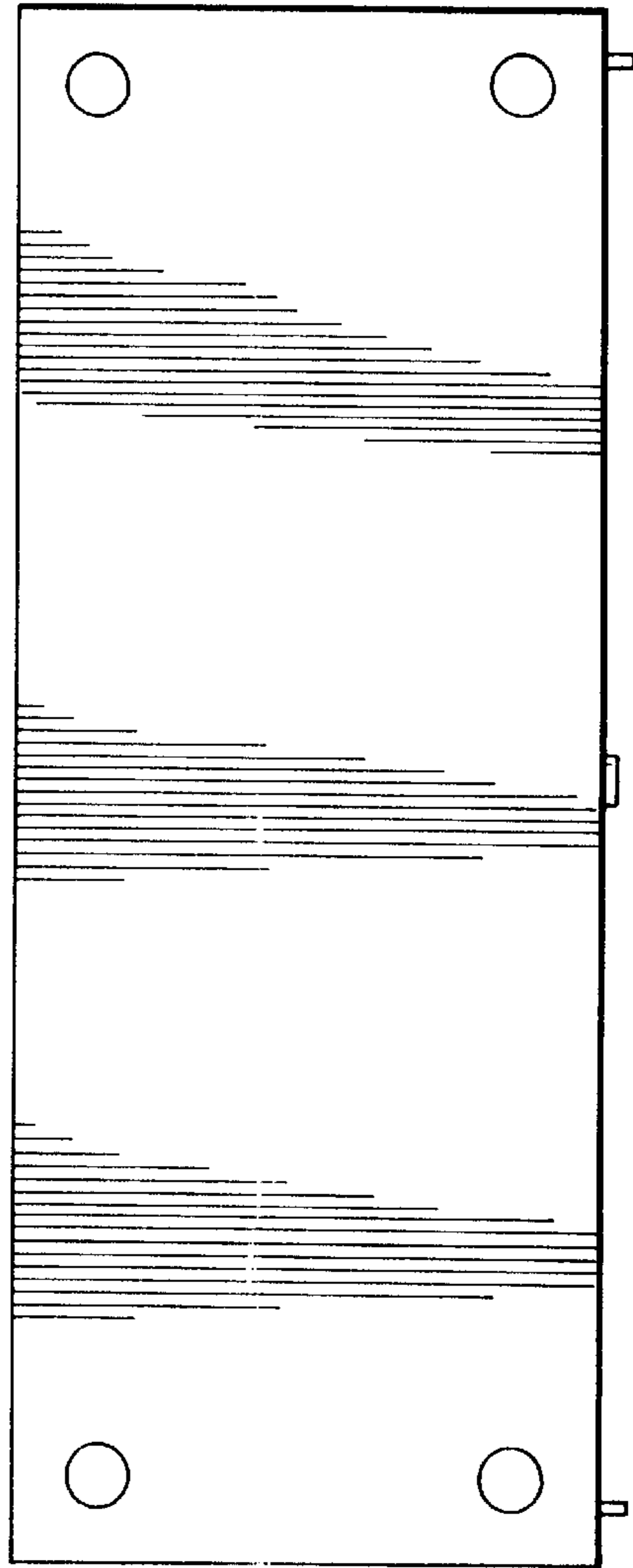
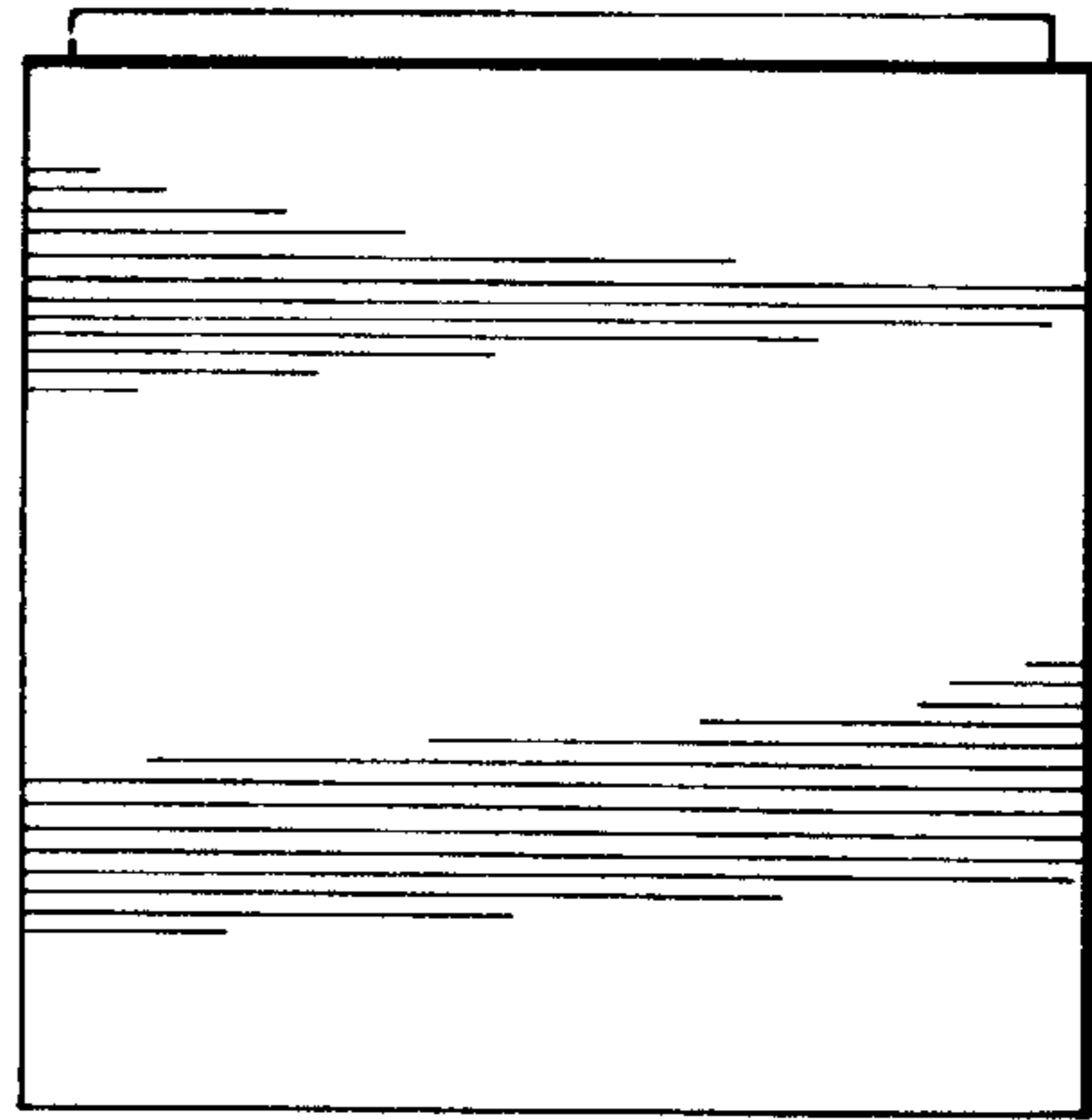


FIG. 4.

FIG. 6.



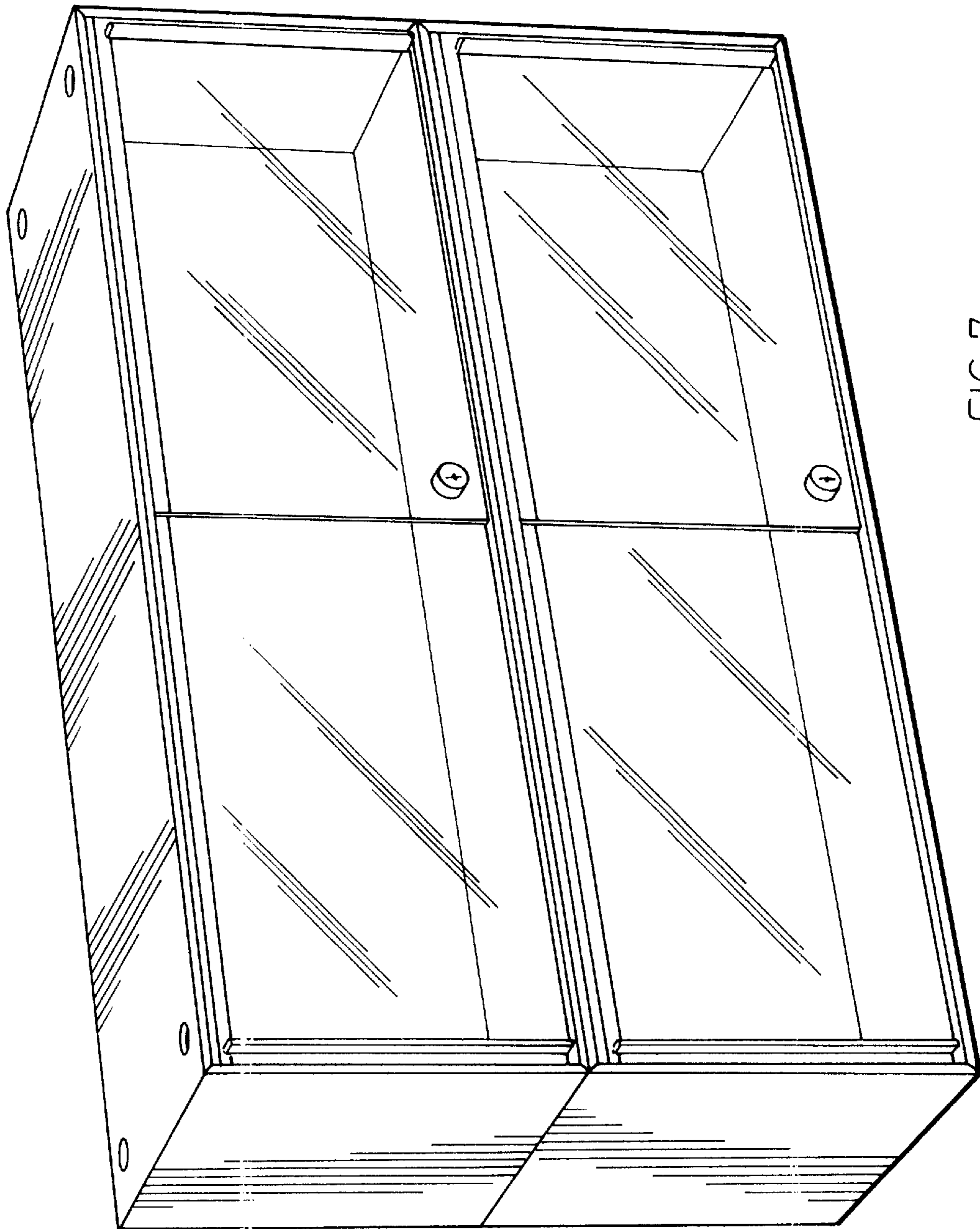


FIG. 7.