



US00D481551S

(12) **United States Design Patent**
Lewis et al.

(10) **Patent No.: US D481,551 S**

(45) **Date of Patent: ** Nov. 4, 2003**

(54) **SEATING UNIT**

(75) Inventors: **Jack Lewis**, Grand Rapids, MI (US);
Roger Doolittle, Graysville, TN (US)

(73) Assignee: **La-Z-Boy Incorporated**, Monroe, MI (US)

(**) Term: **14 Years**

(21) Appl. No.: **29/159,057**

(22) Filed: **Apr. 15, 2002**

(51) **LOC (7) Cl.** **06-01**

(52) **U.S. Cl.** **D6/377; D6/381**

(58) **Field of Search** D6/334, 335, 364,
D6/371, 377, 381, 500, 501, 502; 5/12.1;
297/232

(56) **References Cited**

U.S. PATENT DOCUMENTS

D252,601 S	*	8/1979	Bick	D6/377
D367,187 S	*	2/1996	Natuzzi et al.	D6/381
D368,592 S	*	4/1996	Natuzzi et al.	D6/335
D373,485 S	*	9/1996	Natuzzi et al.	D6/381

D381,220 S * 7/1997 Williams D6/381

D383,619 S * 9/1997 Culler D6/381

D388,631 S * 1/1998 Natuzzi et al. D6/381

D403,172 S * 12/1998 Gibson D6/377

D403,173 S * 12/1998 Ferguson et al. D6/381

* cited by examiner

Primary Examiner—Gary D. Watson

(74) *Attorney, Agent, or Firm*—Harness, Dickey & Pierce, P.L.C.

(57) **CLAIM**

The ornamental design for a seating unit, as shown and described.

DESCRIPTION

FIG. 1 is a perspective view of a seating unit in accordance with the invention disclosed and claimed herein; FIG. 2 is a right side view of the present invention; FIG. 3 is a front view of the present invention; FIG. 4 is a left side view of the present invention; FIG. 5 is a top plan view of the present invention; and, FIG. 6 is a rear view of the present invention.

1 Claim, 3 Drawing Sheets

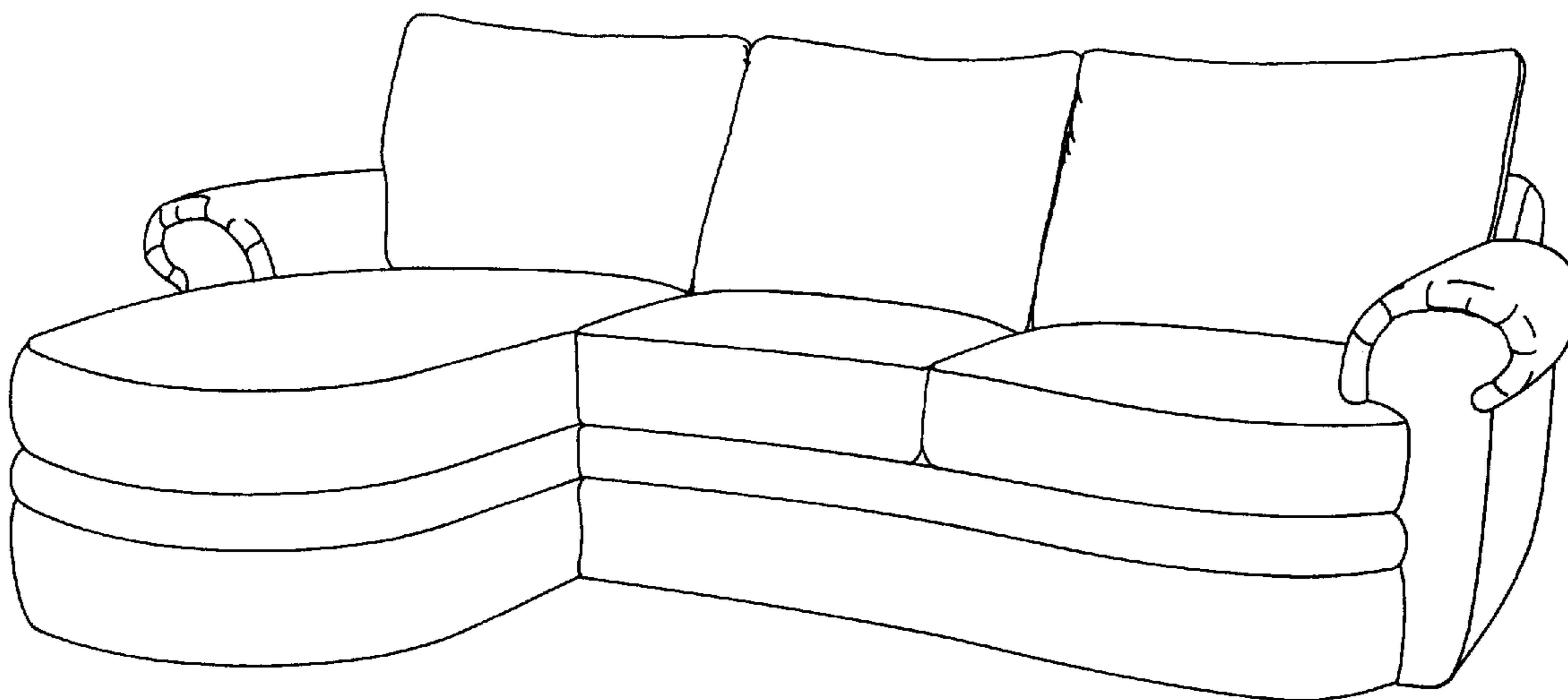


FIG 1

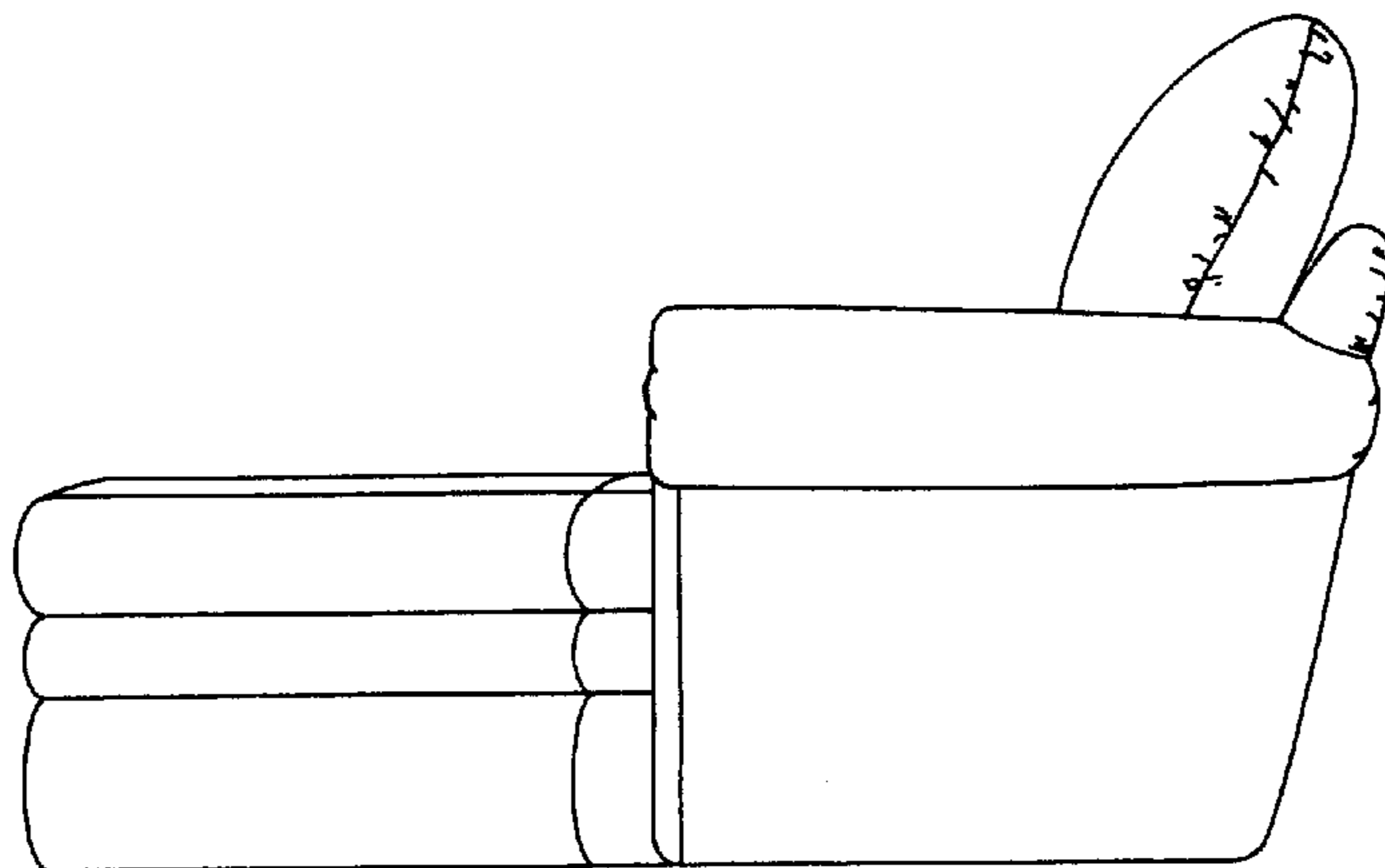
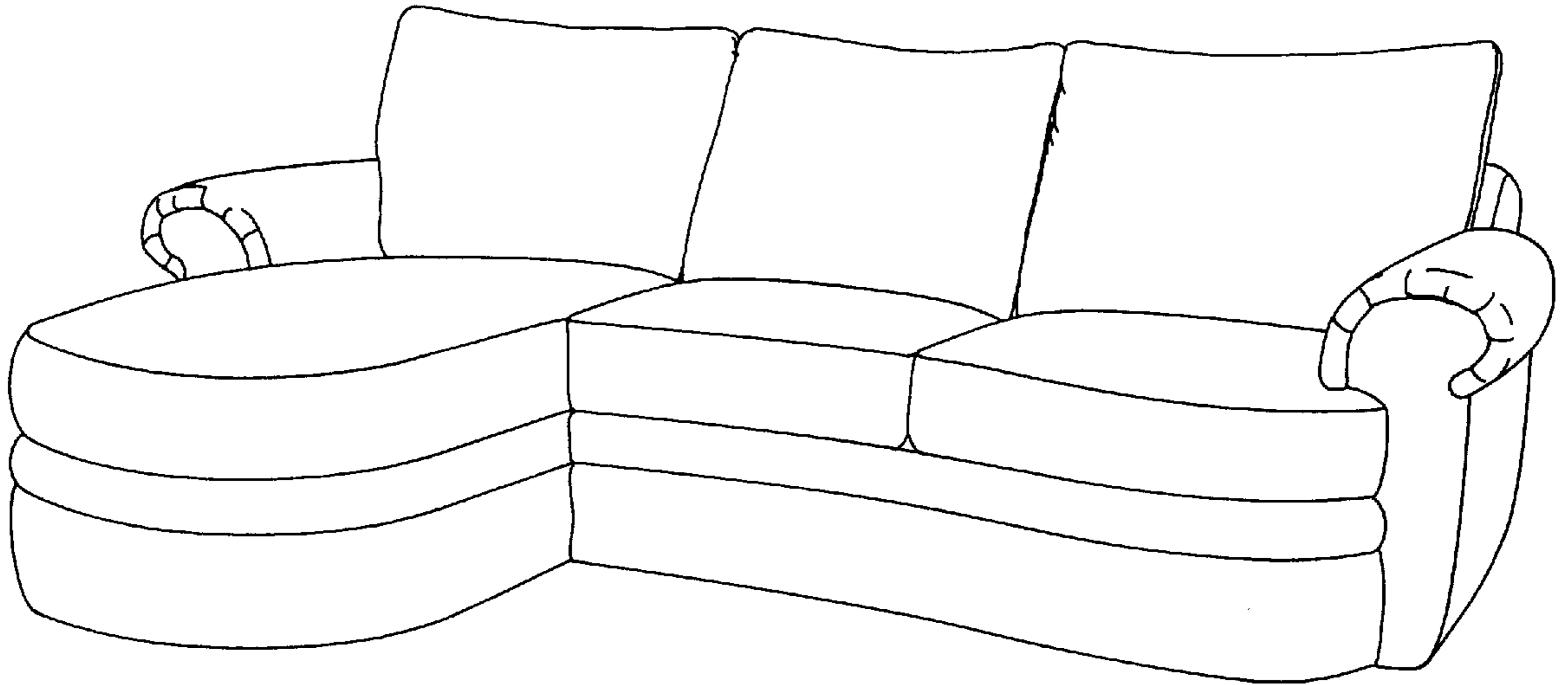


FIG 2

FIG 3

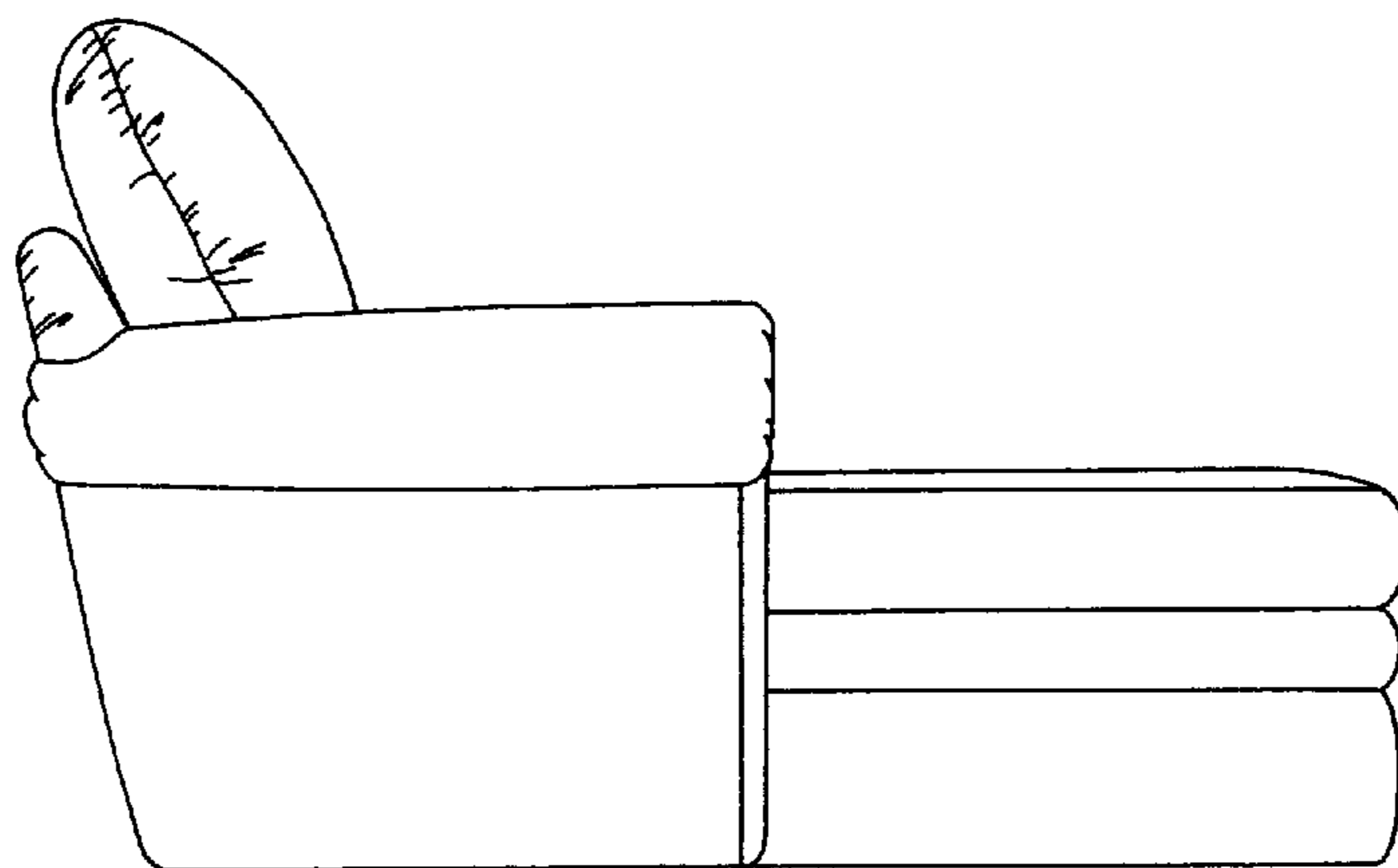
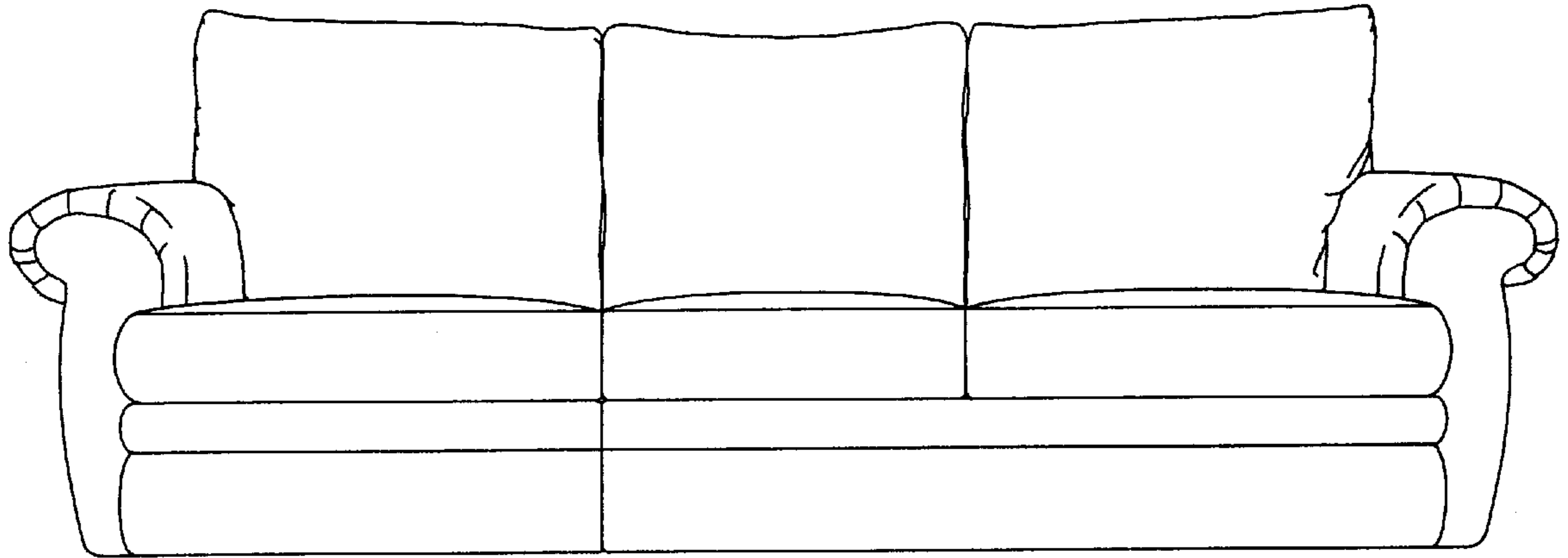


FIG 4

FIG 5

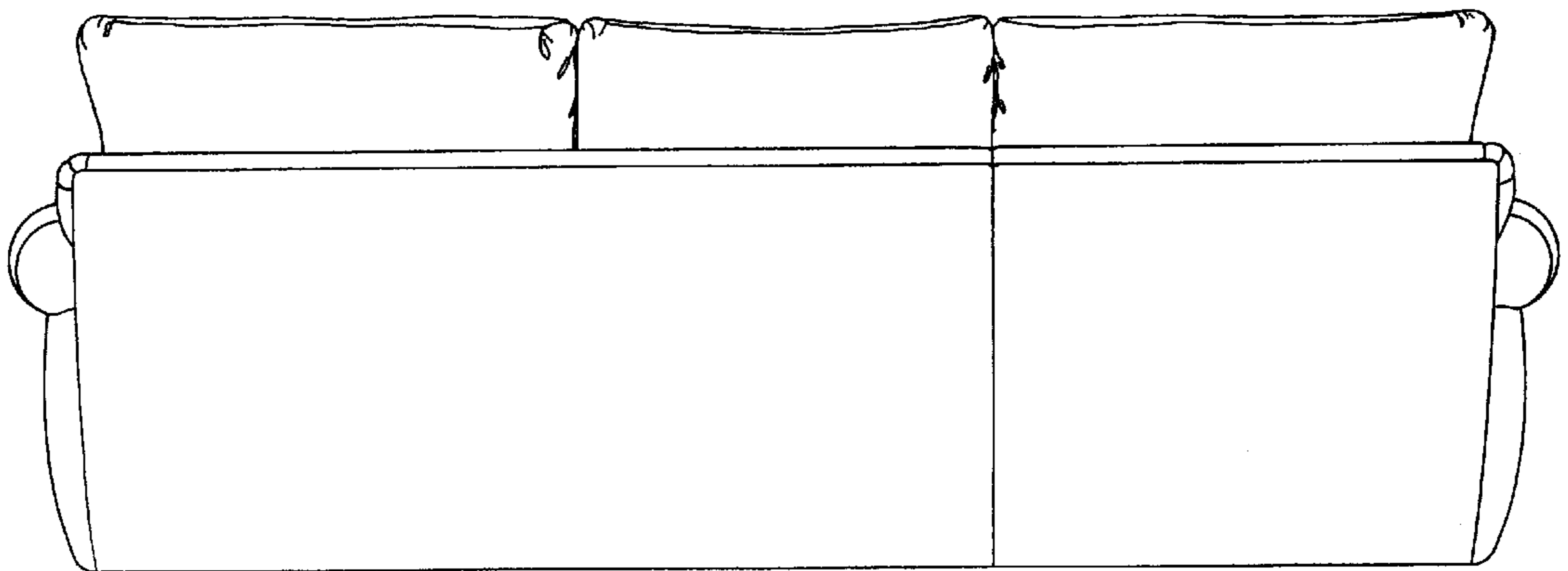
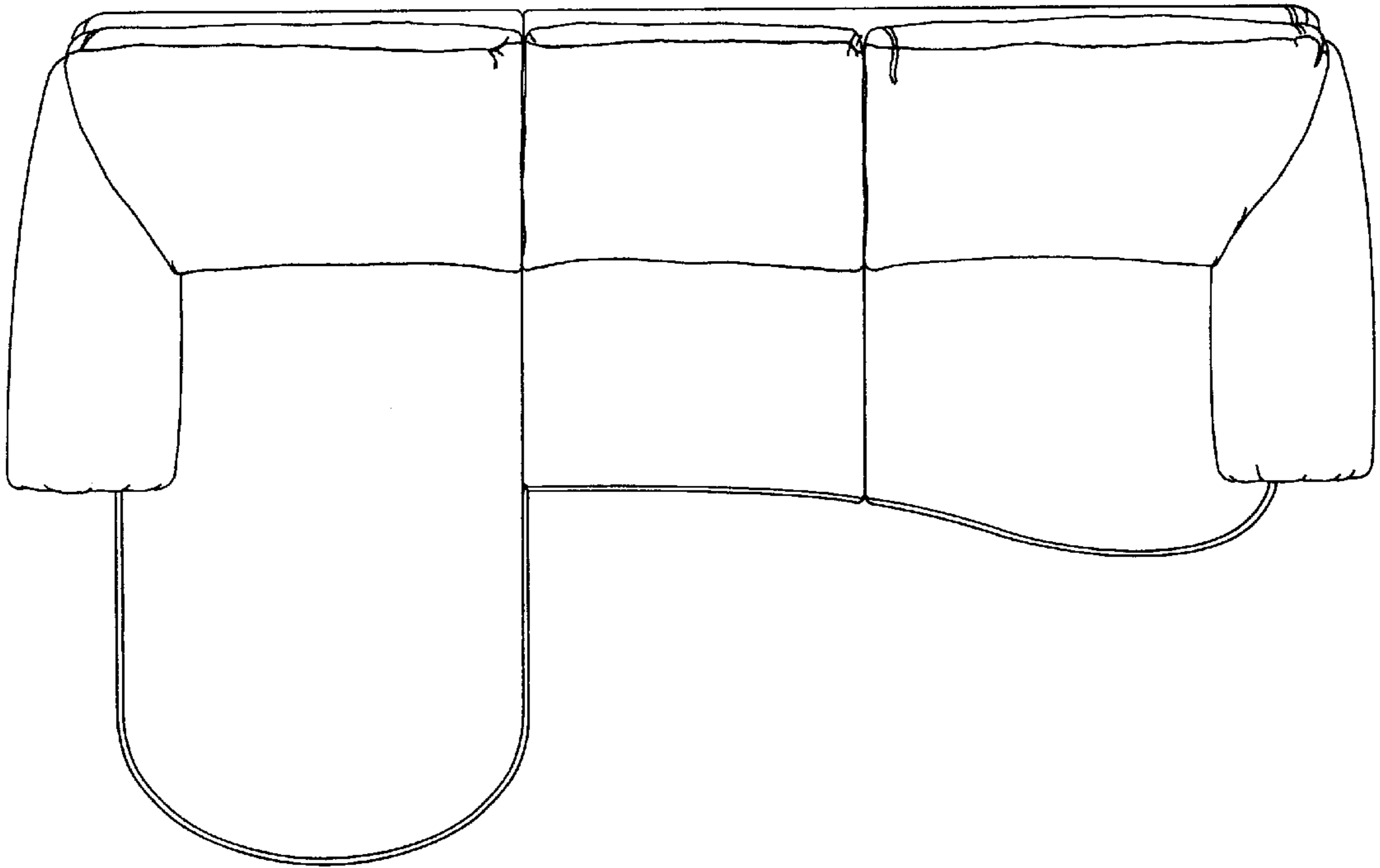


FIG 6