



US00D481550S

(12) **United States Design Patent**
Astle

(10) **Patent No.:** **US D481,550 S**

(45) **Date of Patent:** **** Nov. 4, 2003**

(54) **CHAIR**

(75) **Inventor:** **Robert A. Astle**, Farmington, UT (US)

(73) **Assignee:** **Lifetime Products, Inc.**, Clearfield, UT (US)

(**) **Term:** **14 Years**

(21) **Appl. No.:** **29/175,945**

(22) **Filed:** **Feb. 13, 2003**

(51) **LOC (7) Cl.** **06-01**

(52) **U.S. Cl.** **D6/374; D6/380**

(58) **Field of Search** D6/334, 370, 374,
D6/376, 379, 380, 500, 501, 502; 297/445.1,
446.1

(56) **References Cited**

U.S. PATENT DOCUMENTS

D181,241 S * 10/1957 Swanson D6/374
D186,658 S * 11/1959 Spilman D6/374
D346,501 S * 5/1994 Llusca D6/374

D398,457 S * 9/1998 Maly D6/380
D409,848 S * 5/1999 Staubach et al. D6/334
D468,921 S * 1/2003 Kagan D6/370

* cited by examiner

Primary Examiner—Gary D. Watson

(74) *Attorney, Agent, or Firm*—Workman Nydegger

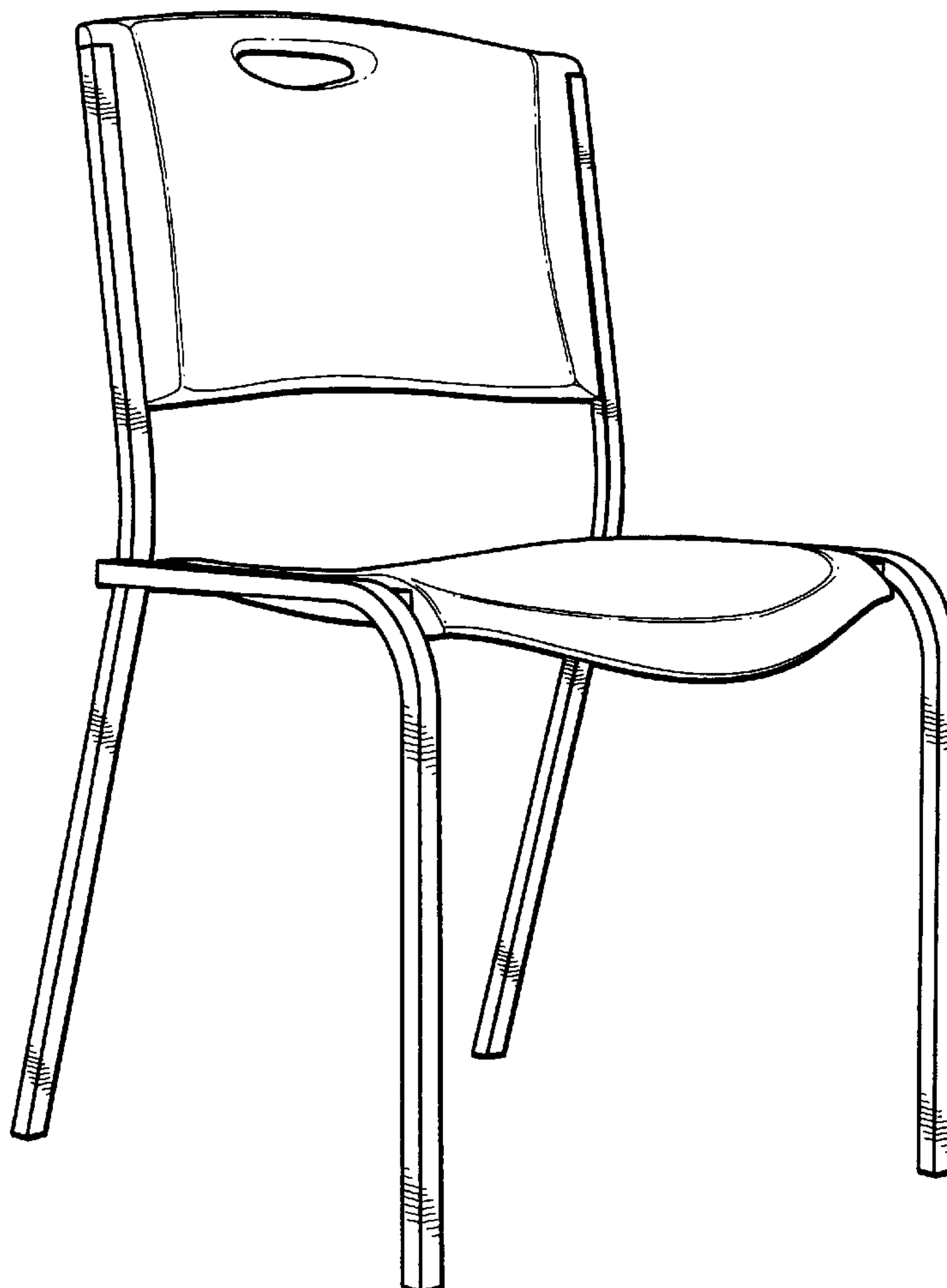
(57) **CLAIM**

The ornamental design for a chair, as shown and described.

DESCRIPTION

FIG. 1 is a front perspective view of a chair in accordance with a preferred embodiment of the present invention; FIG. 2 is a rear perspective view of the chair; FIG. 3 is a front view of the chair; FIG. 4 is a left side view of the chair, with the right side being a mirror image thereof; FIG. 5 is a top view of the chair; FIG. 6 is a bottom view of the chair; and, FIG. 7 is a rear view of the chair.

1 Claim, 4 Drawing Sheets



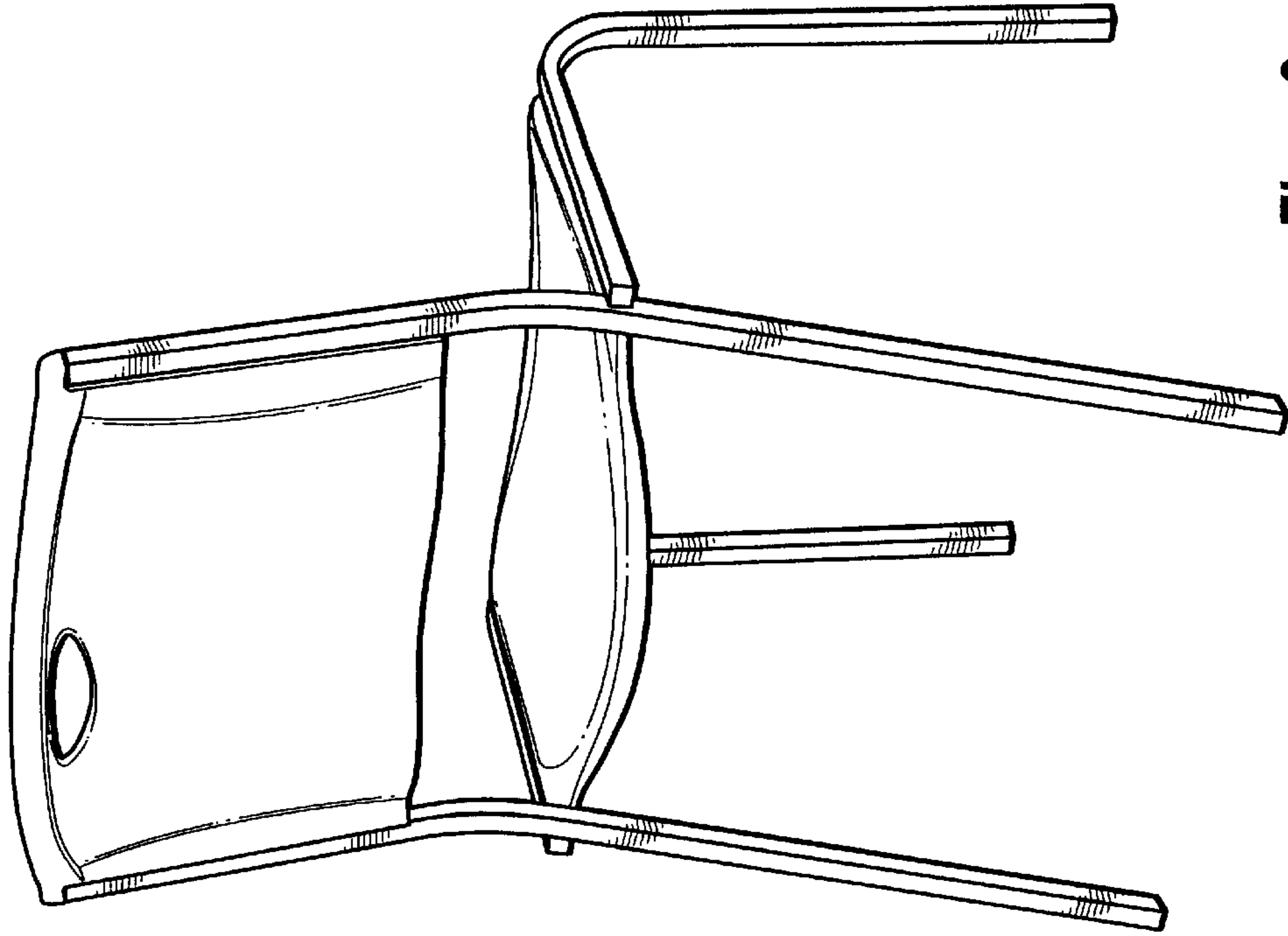


Fig. 2

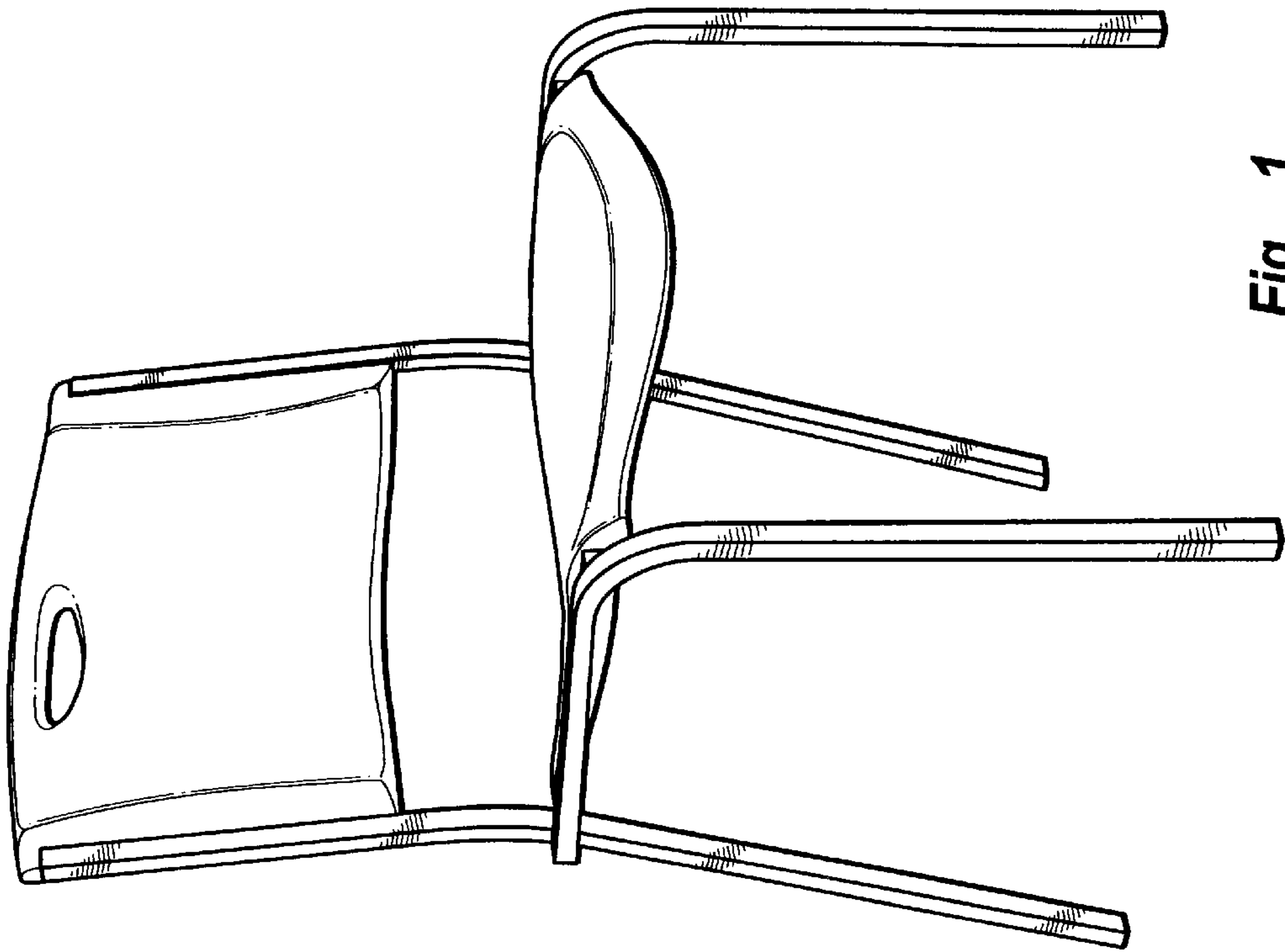


Fig. 1

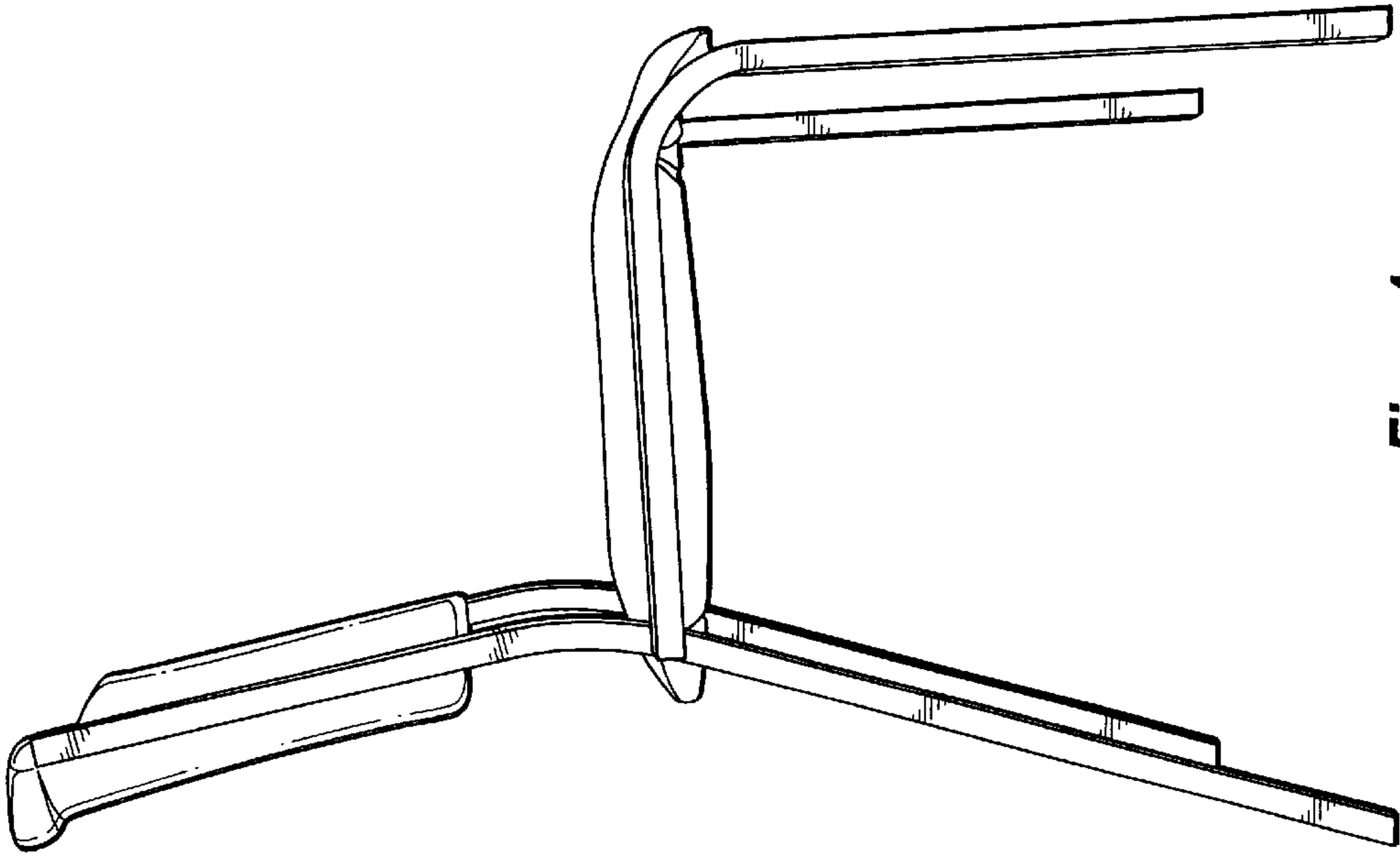


Fig. 4

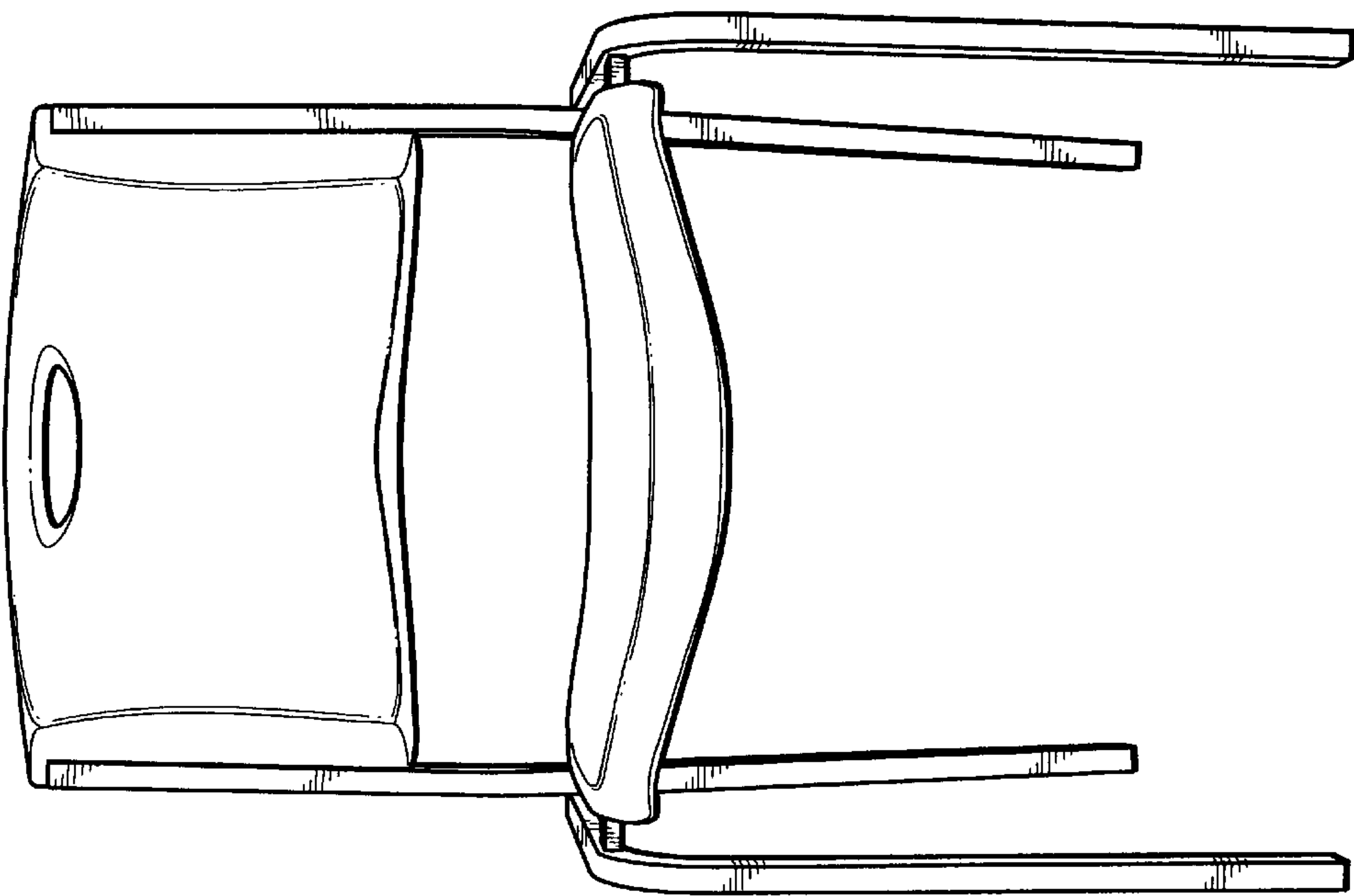


Fig. 3

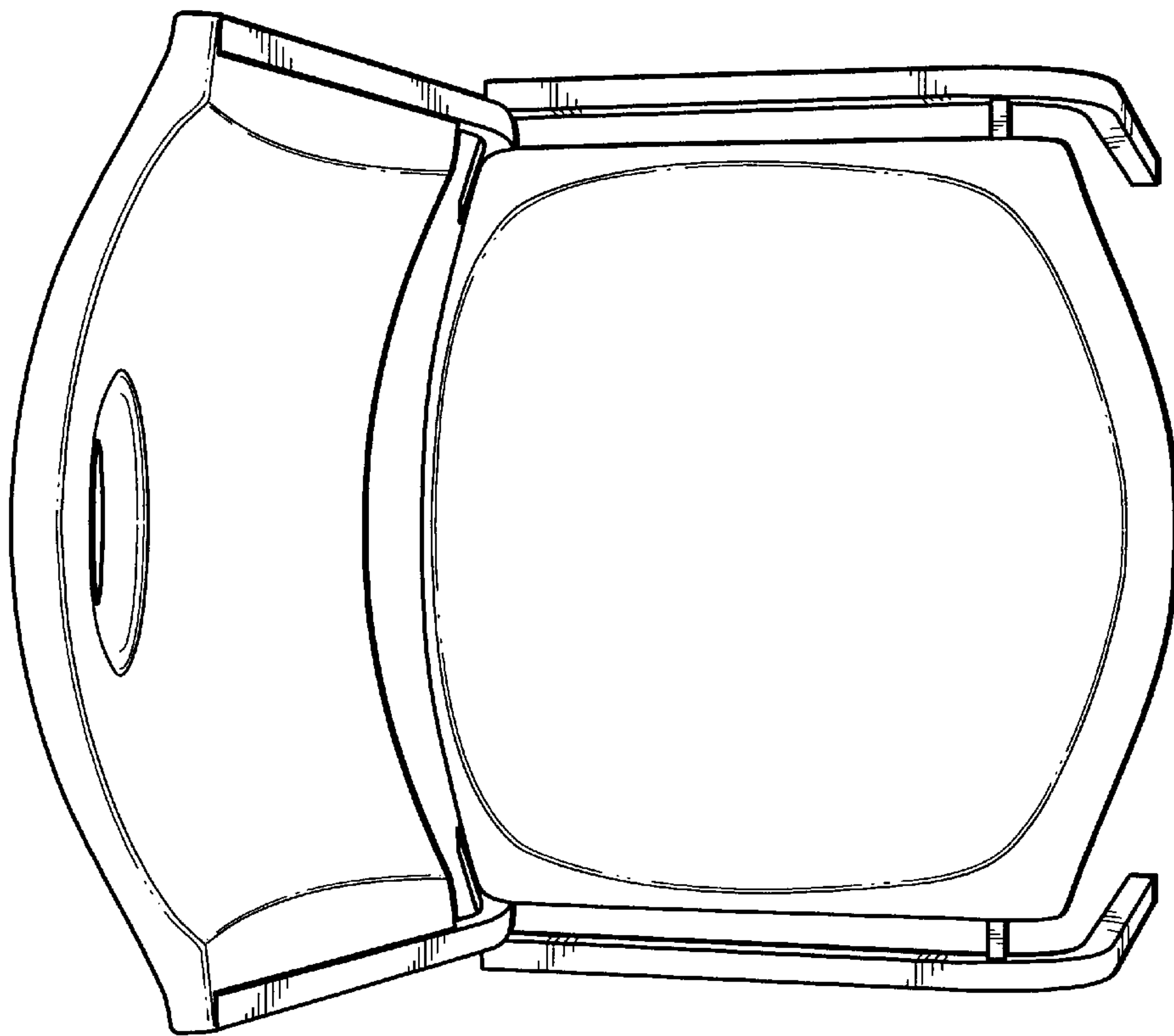


Fig. 5

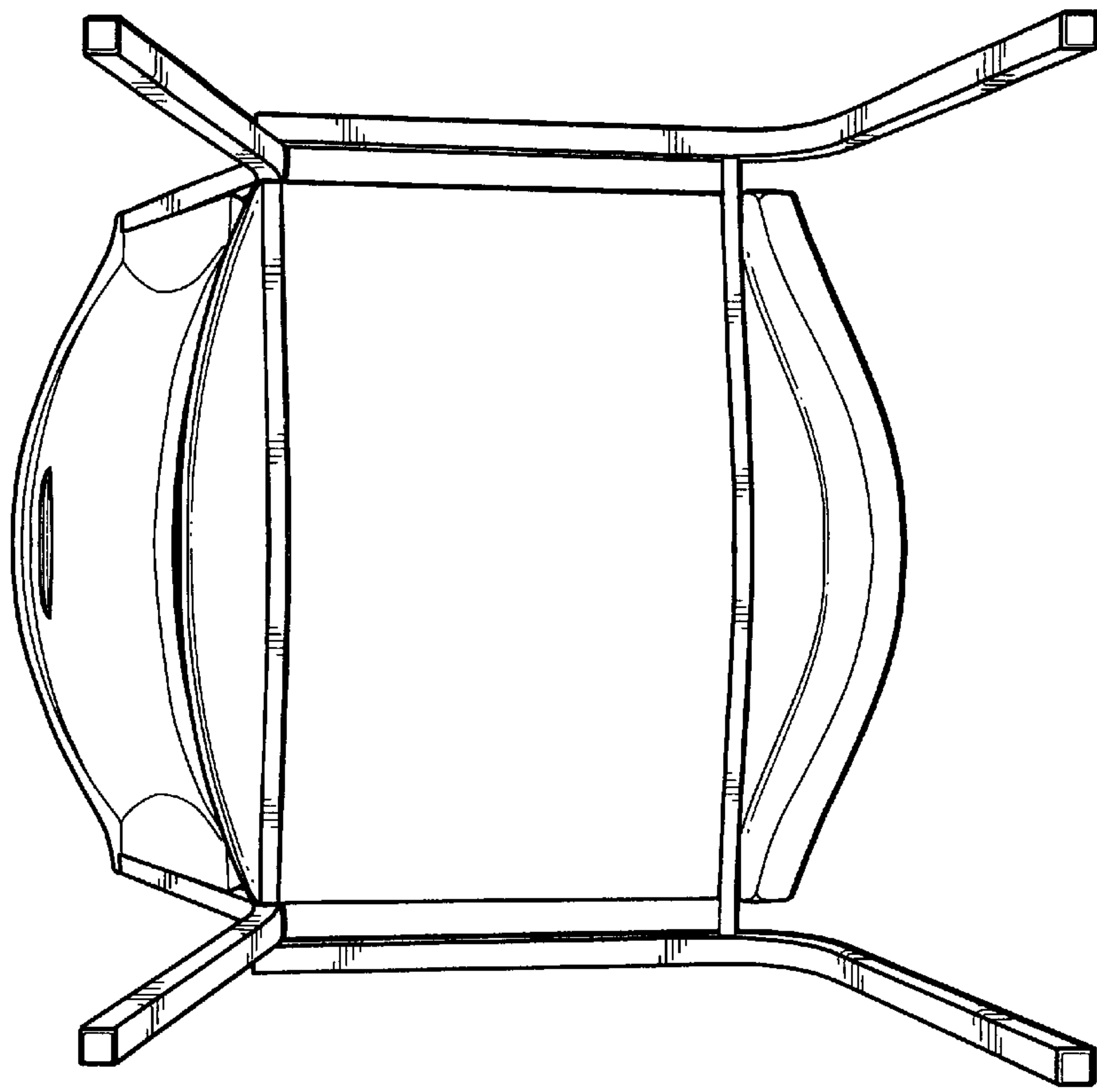


Fig. 6

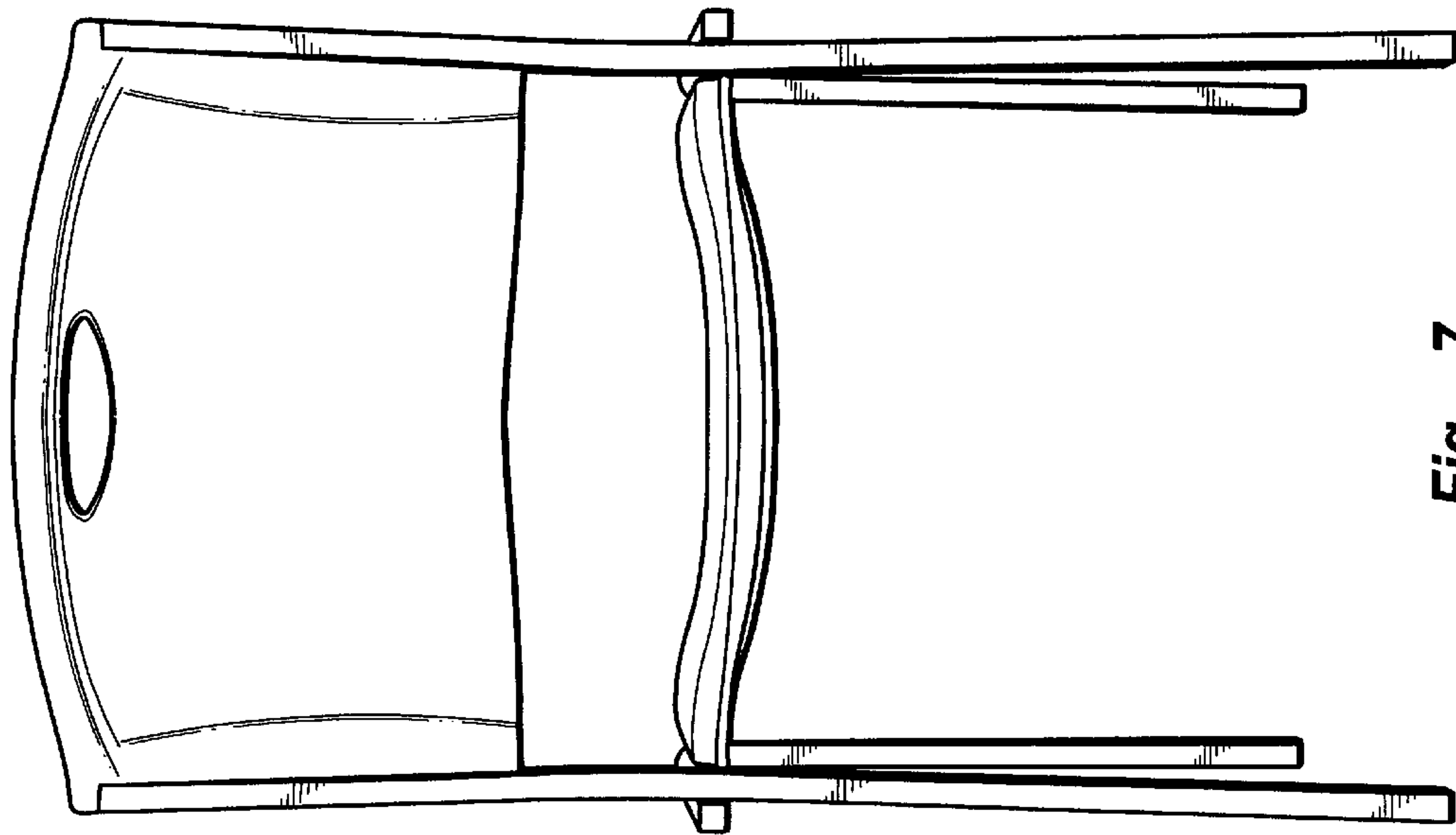


Fig. 7