



US00D481549S

(12) **United States Design Patent**
Turner et al.

(10) **Patent No.:** **US D481,549 S**

(45) **Date of Patent:** **** Nov. 4, 2003**

(54) **CHAIR FRAME PORTION**

D467,759 S * 12/2002 Dellinger D6/496

(75) Inventors: **Dennis M. Turner**, Mooresville, IN
(US); **Paul T. Zink**, Indianapolis, IN
(US); **Jason Andrews**, Indianapolis, IN
(US)

* cited by examiner

Primary Examiner—Doris V. Coles
Assistant Examiner—Mimosa De
(74) *Attorney, Agent, or Firm*—Barnes & Thornburg

(73) Assignee: **Cocso Management, Inc.**, Wilmington,
DE (US)

(57) **CLAIM**

(**) Term: **14 Years**

The ornamental design for a chair frame portion, as shown and described.

(21) Appl. No.: **29/178,579**

DESCRIPTION

(22) Filed: **Mar. 28, 2003**

(51) **LOC (7) Cl.** **06-01**

(52) **U.S. Cl.** **D6/368**

(58) **Field of Search** D6/334, 335, 336,
D6/368, 374, 376, 380, 500–502; 297/16.1,
40, 41, 55, 56, 58, 59, 239

FIG. 1 is a perspective view of a chair frame portion in accordance with our new design, with portions of a chair forming the environment of the chair frame portion and being illustrated in broken lines, which broken lines are for illustrative purposes only and form no part of the claimed design;

FIG. 2 is a front elevational view of the chair frame portion shown in FIG. 1;

FIG. 3 is a left-side elevational view thereof, the left and right sides of the chair frame portion being symmetrical to one another;

FIG. 4 is a rear elevational view thereof;

FIG. 5 is a top plan view thereof; and,

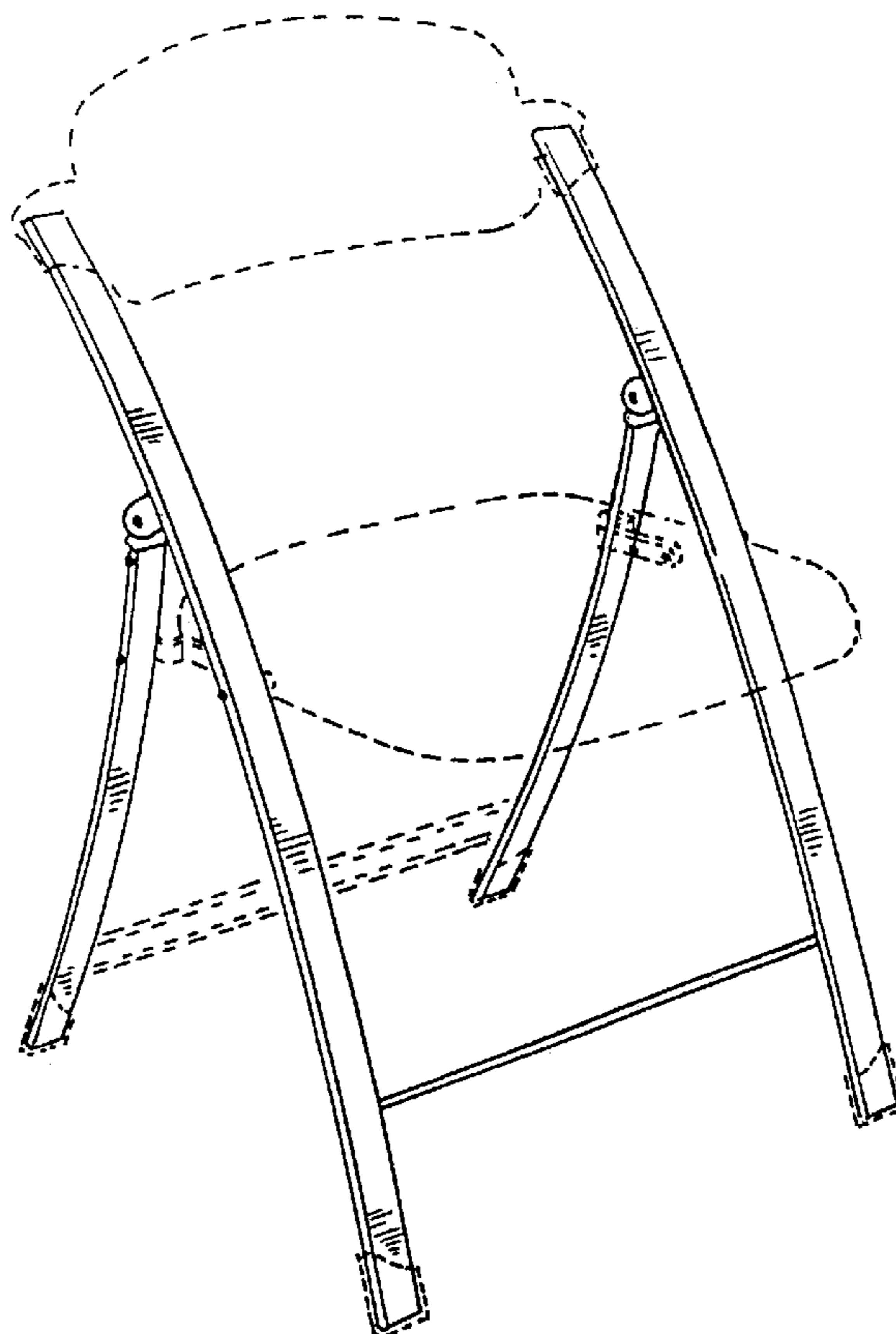
FIG. 6 is a bottom view thereof.

(56) **References Cited**

U.S. PATENT DOCUMENTS

D75,556 S	*	6/1928	Glantz	D6/368
D107,545 S	*	12/1937	O'Connor	D6/368
2,458,095 A	*	1/1949	O'Connor	297/58
2,509,107 A	*	5/1950	O'Connor	297/58
2,607,399 A	*	8/1952	O'Connor	297/58
D465,346 S	*	11/2002	Lin	D6/376

1 Claim, 2 Drawing Sheets



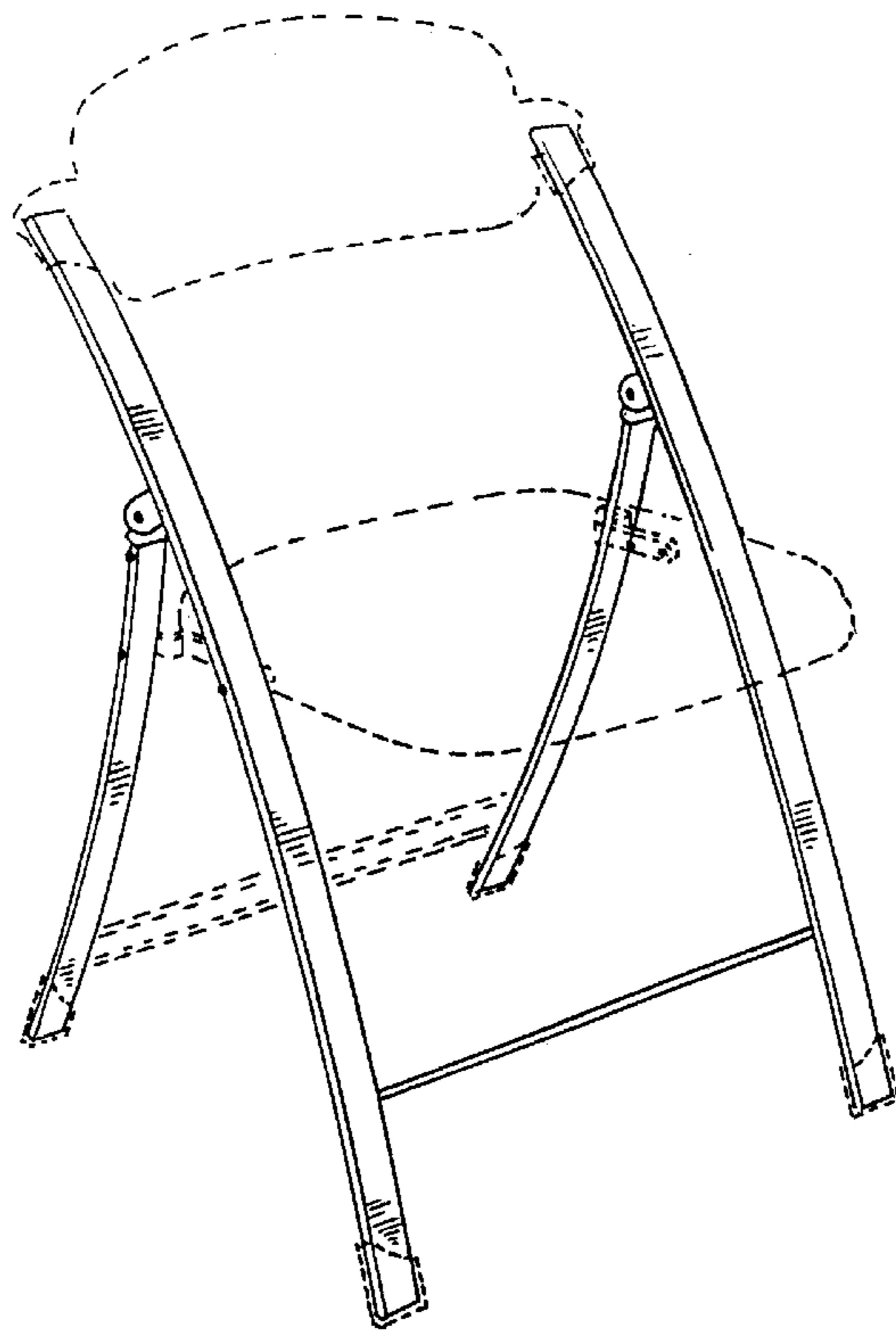


FIG. 1

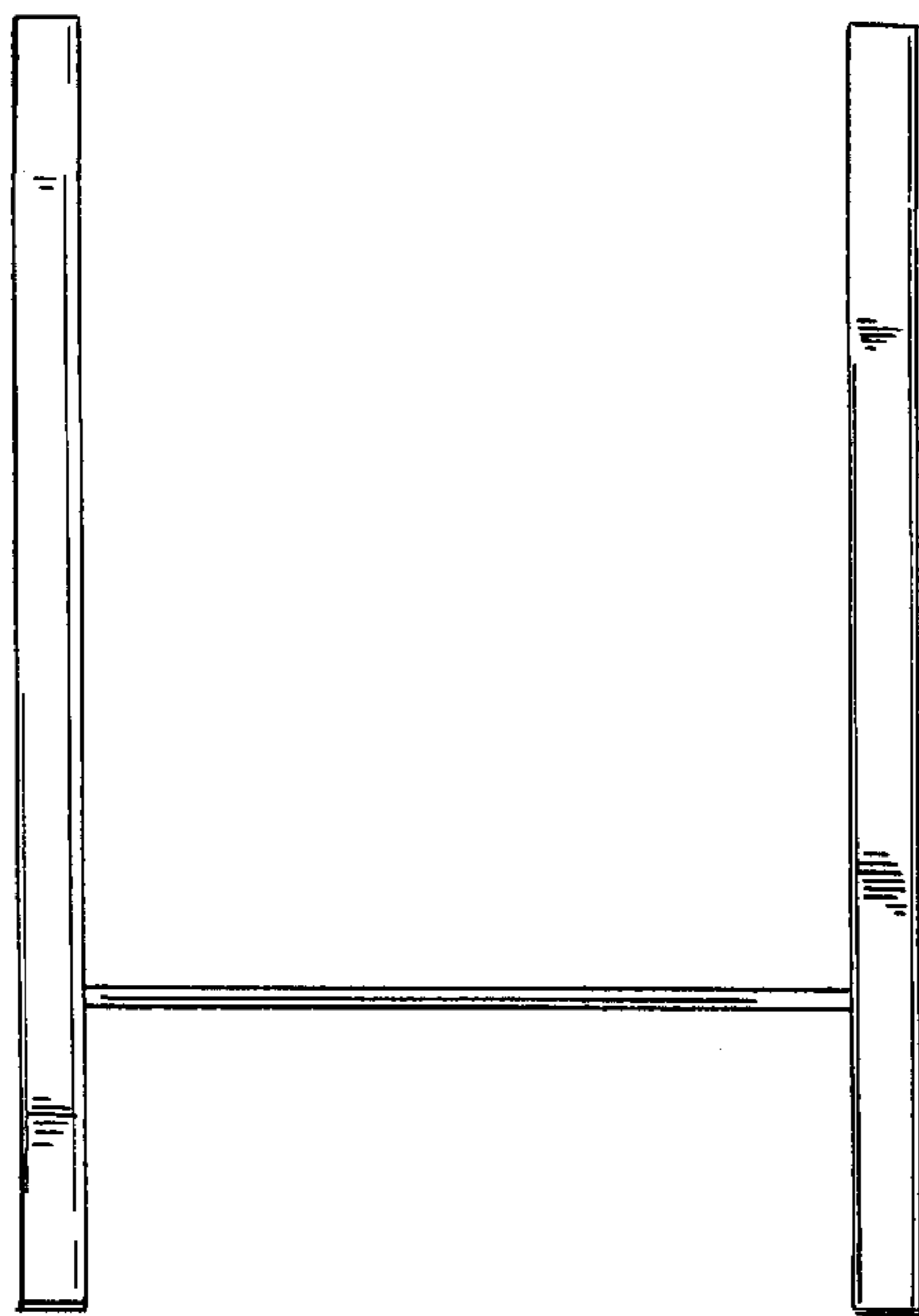


FIG. 2

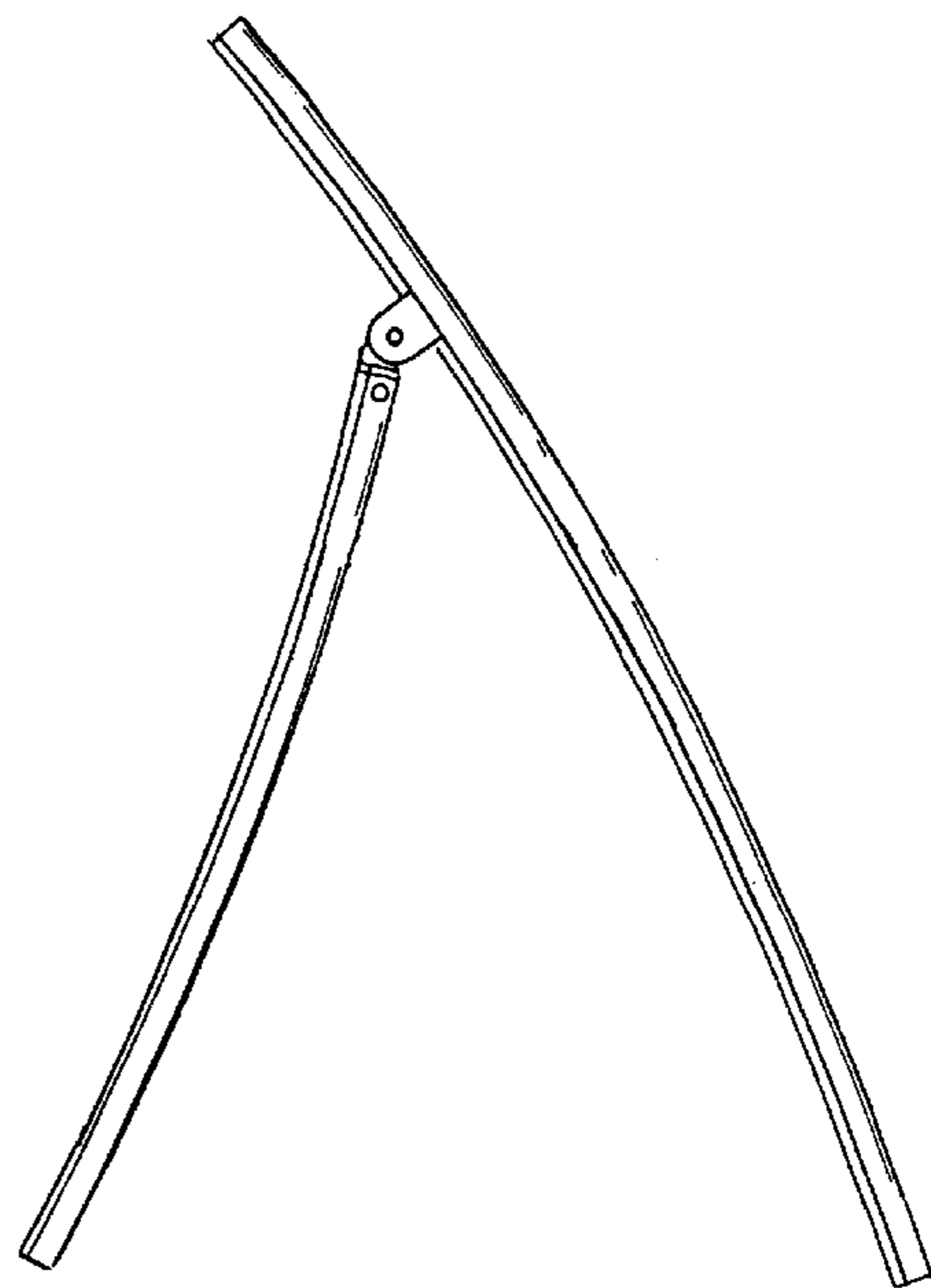


FIG. 3

FIG. 4

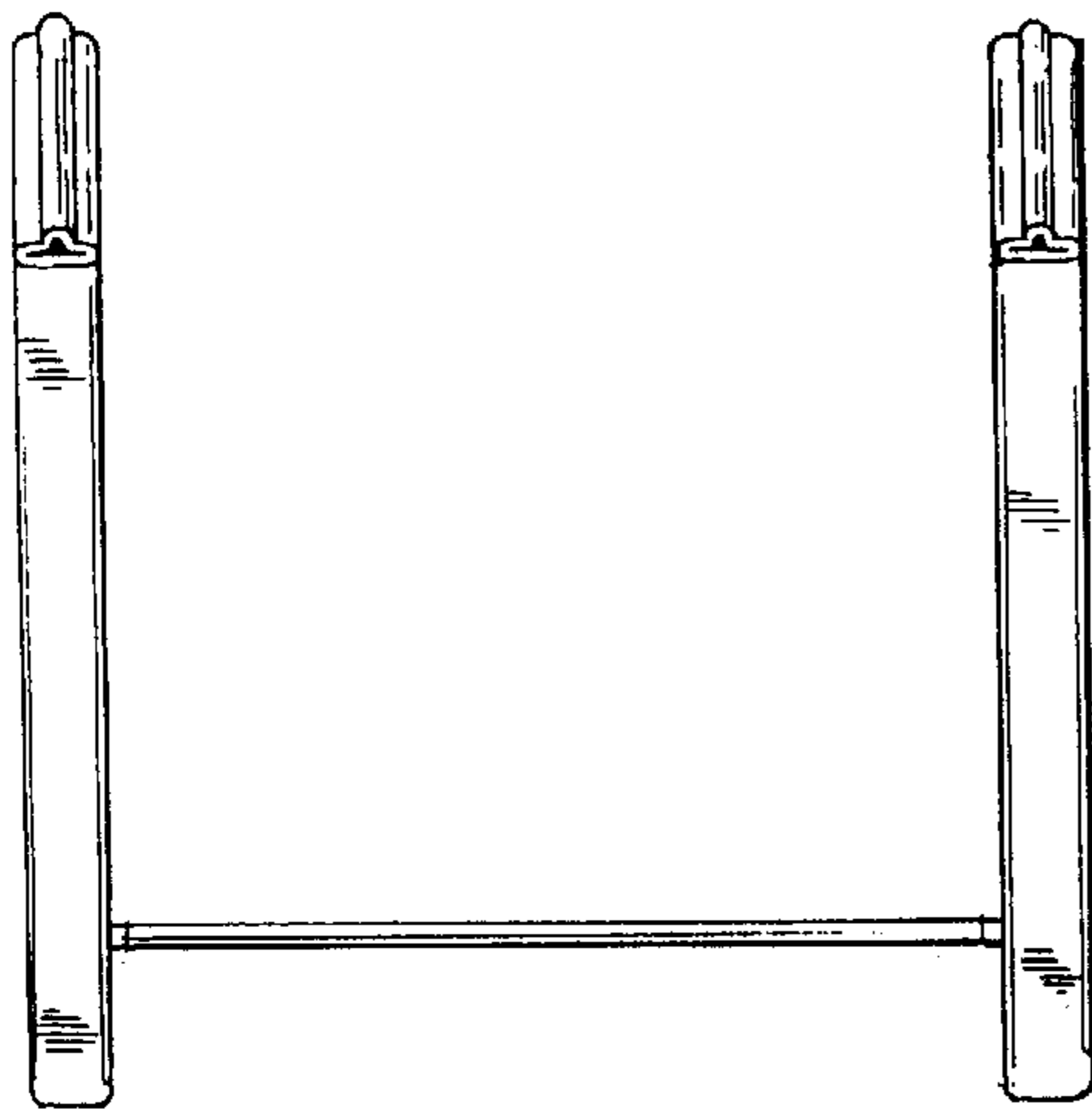
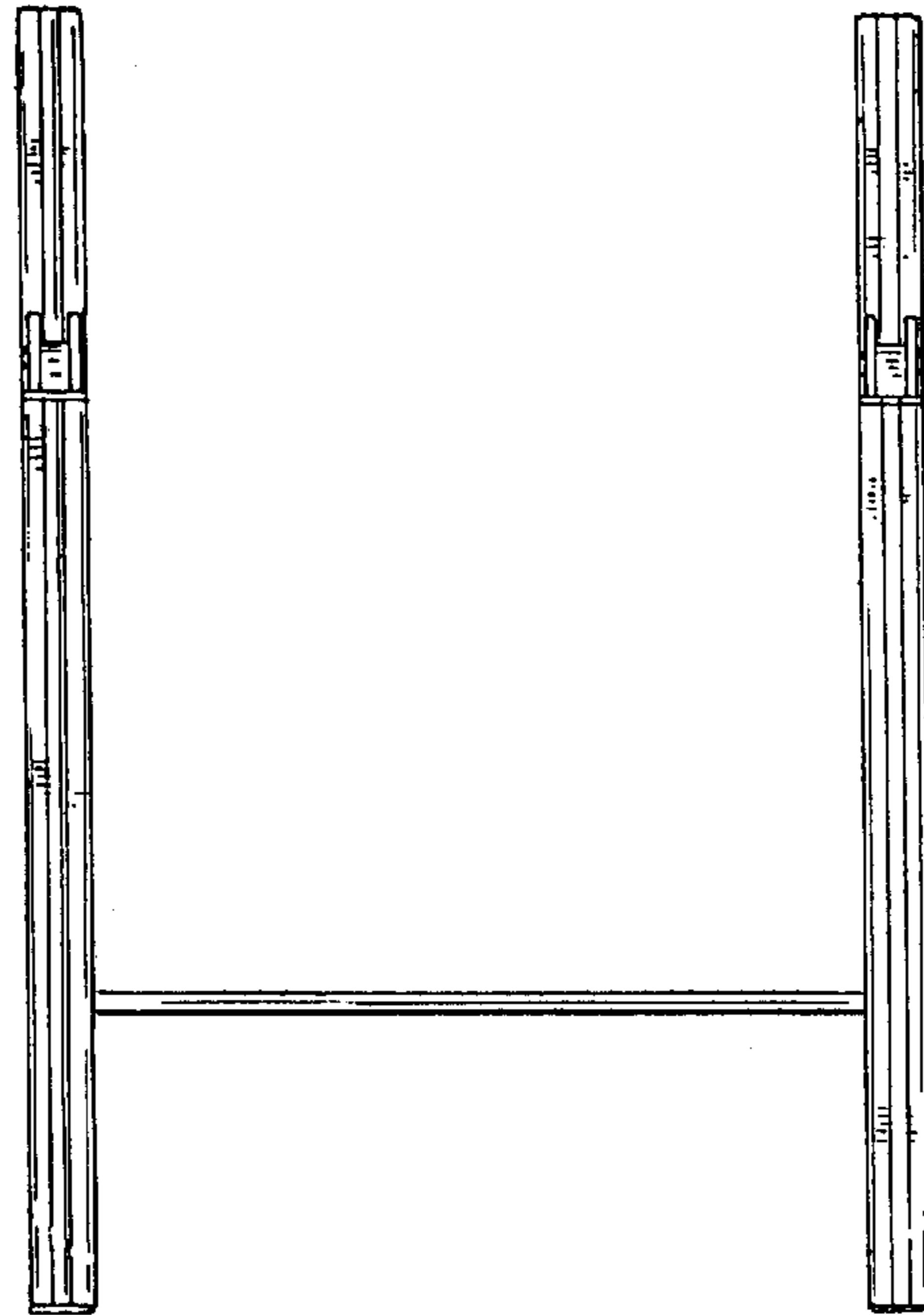


FIG. 5

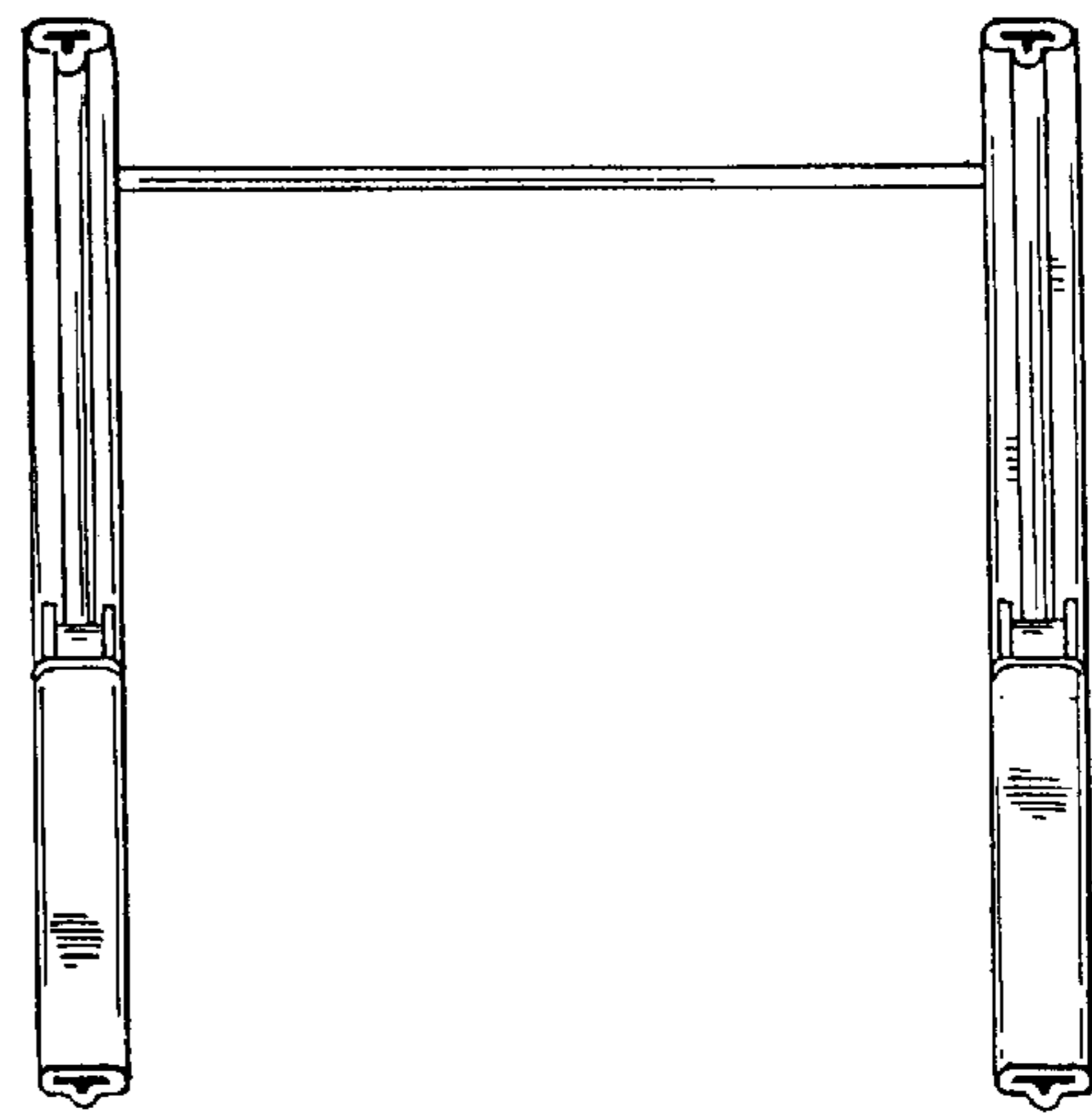


FIG. 6