



US00D481548S

(12) **United States Design Patent**  
**Piretti**

(10) **Patent No.:** **US D481,548 S**

(45) **Date of Patent:** **\*\* Nov. 4, 2003**

(54) **CHAIR**

(75) Inventor: **Giancarlo Piretti**, Bologna (IT)

(73) Assignee: **Pro Cord SpA**, Bologna (IT)

(\*\*) Term: **14 Years**

(21) Appl. No.: **29/140,311**

(22) Filed: **Apr. 16, 2001**

(30) **Foreign Application Priority Data**

Oct. 16, 2000 (IT) ..... TO200000271

(51) **LOC (7) Cl.** ..... **06-01**

(52) **U.S. Cl.** ..... **D6/366**

(58) **Field of Search** ..... D6/334, 364, 365,  
D6/366, 367, 500, 501, 502; 297/411.2,  
411.27

(56) **References Cited**

**U.S. PATENT DOCUMENTS**

D363,383 S \* 10/1995 Cronk ..... D6/366

D398,163 S \* 9/1998 Desanta ..... D6/366

D410,151 S \* 5/1999 Chu ..... D6/366

D417,101 S \* 11/1999 DeSanta et al. .... D6/500

D435,976 S \* 1/2001 Deacon ..... D6/366

D442,791 S \* 5/2001 Simons, Jr. et al. .... D6/366

\* cited by examiner

*Primary Examiner*—Gary D. Watson

(74) *Attorney, Agent, or Firm*—TraskBritt

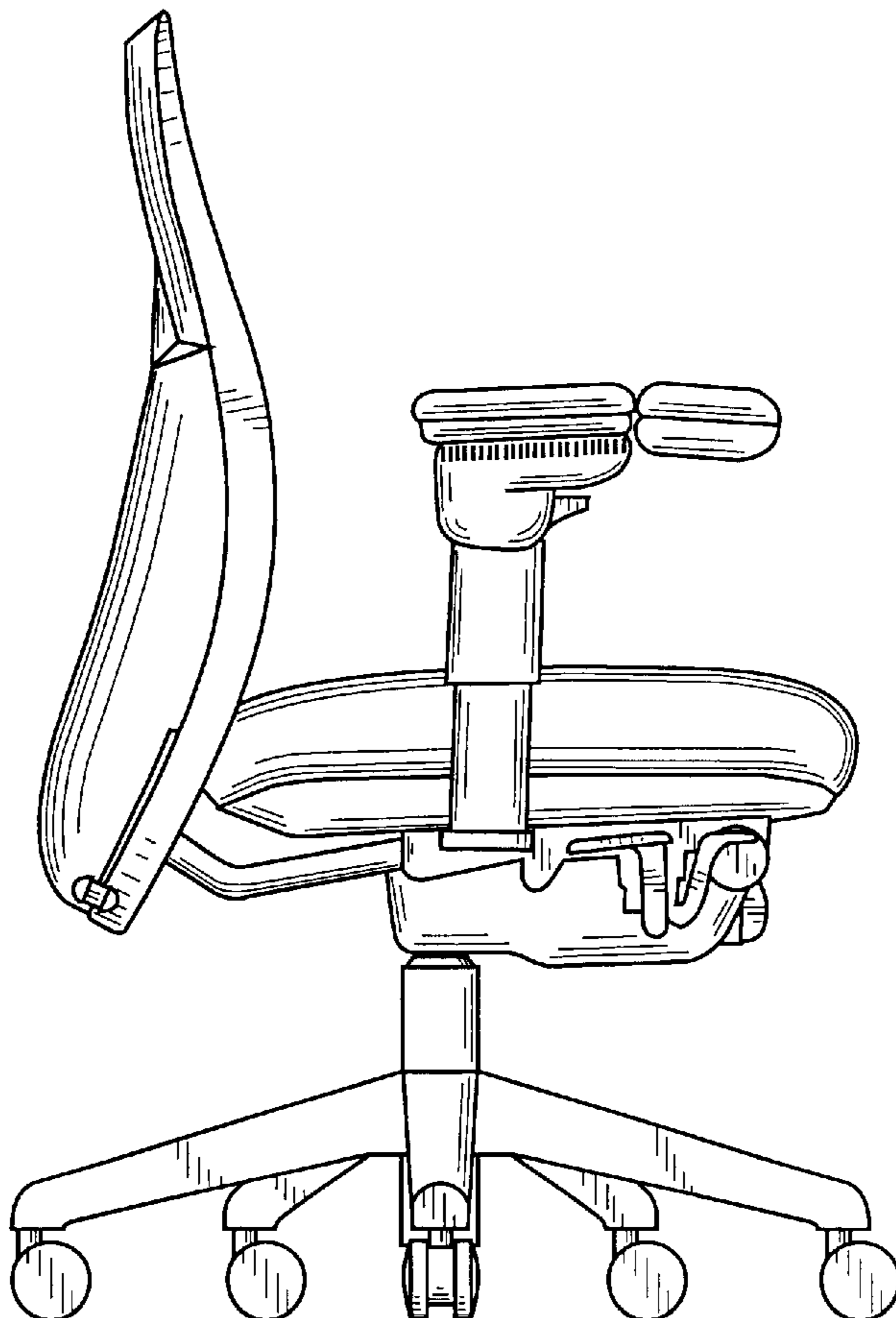
(57) **CLAIM**

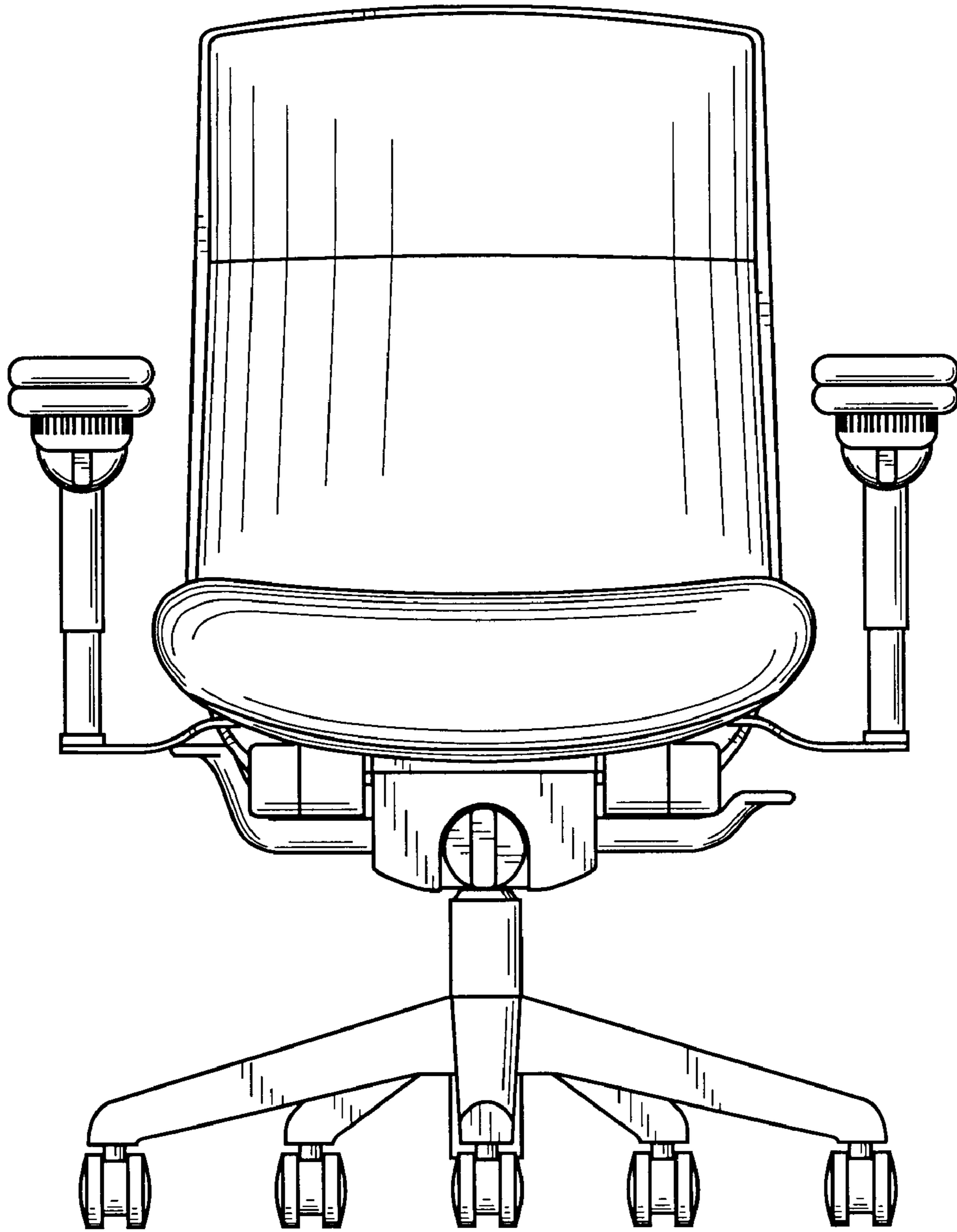
The ornamental design for a chair, as shown and described.

**DESCRIPTION**

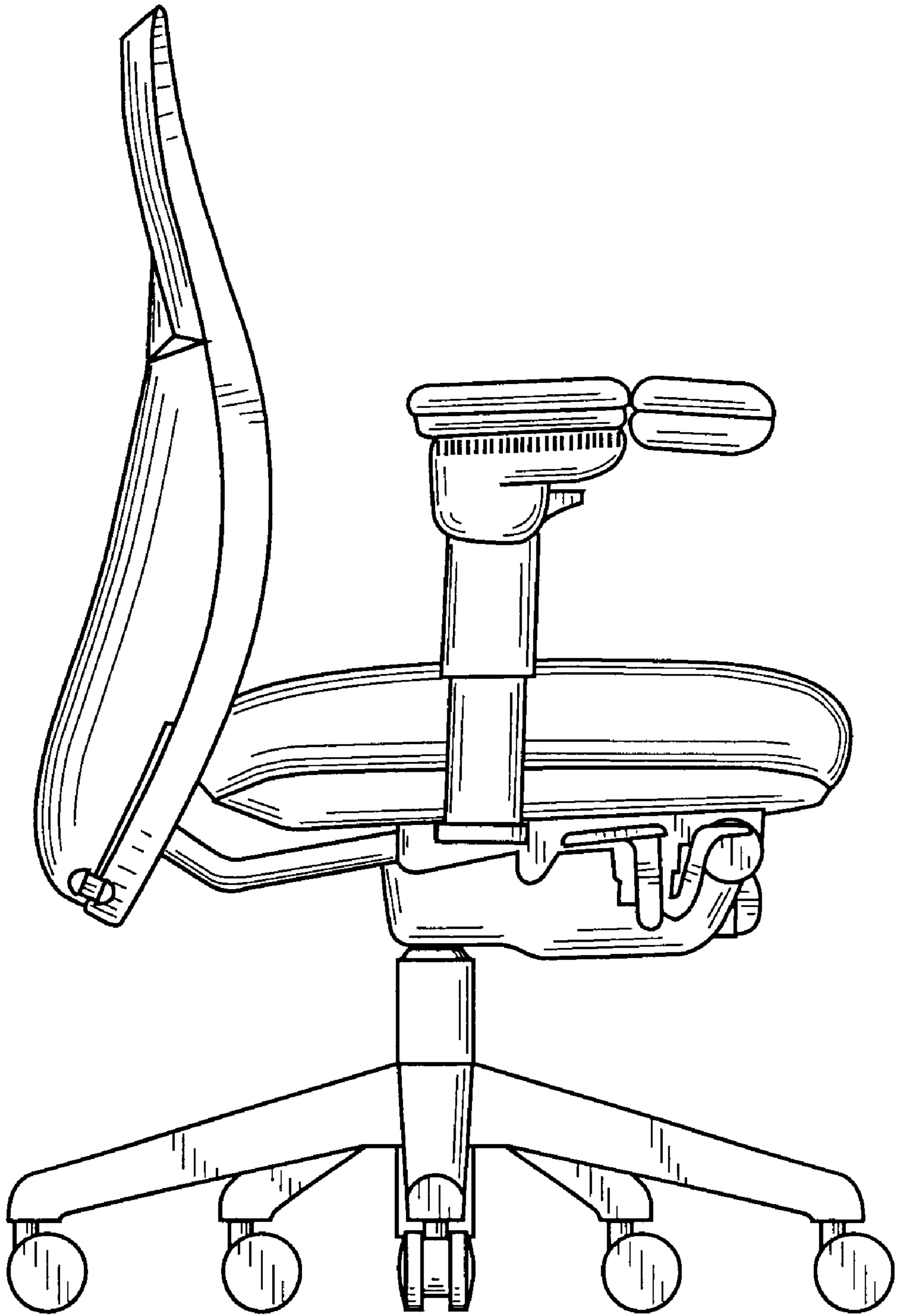
FIG. 1 is a front view of the chair showing my new design; FIG. 2 is a first side view of the chair shown in FIG. 1; FIG. 3 is a second side view of the chair shown in FIG. 1; FIG. 4 is a rear view of the chair shown in FIG. 1; FIG. 5 is a bottom view of the chair shown in FIG. 1; FIG. 6 is a top view of the chair shown in FIG. 1; and, FIG. 7 is a rear perspective view of the chair shown in FIG. 1.

**1 Claim, 7 Drawing Sheets**

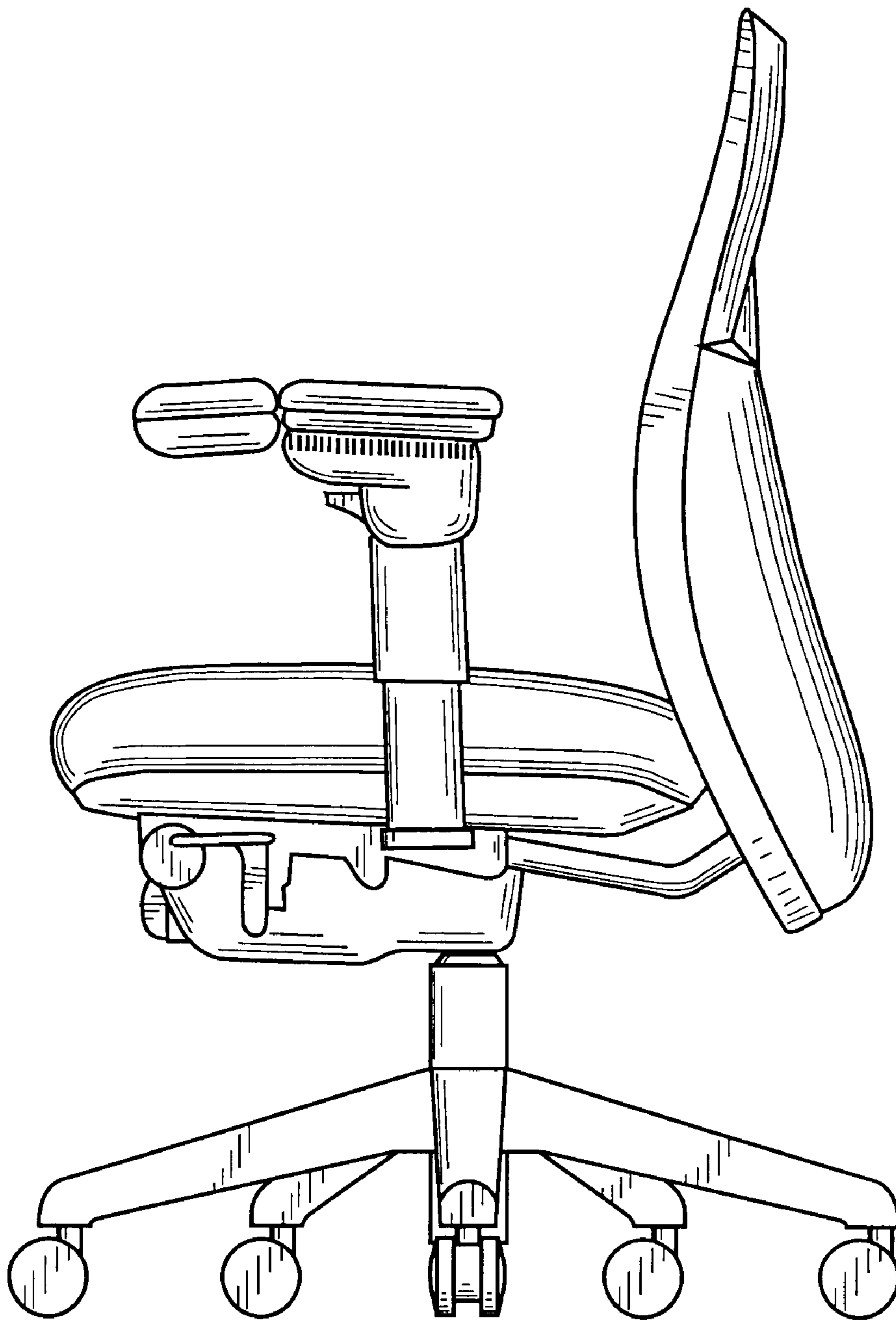




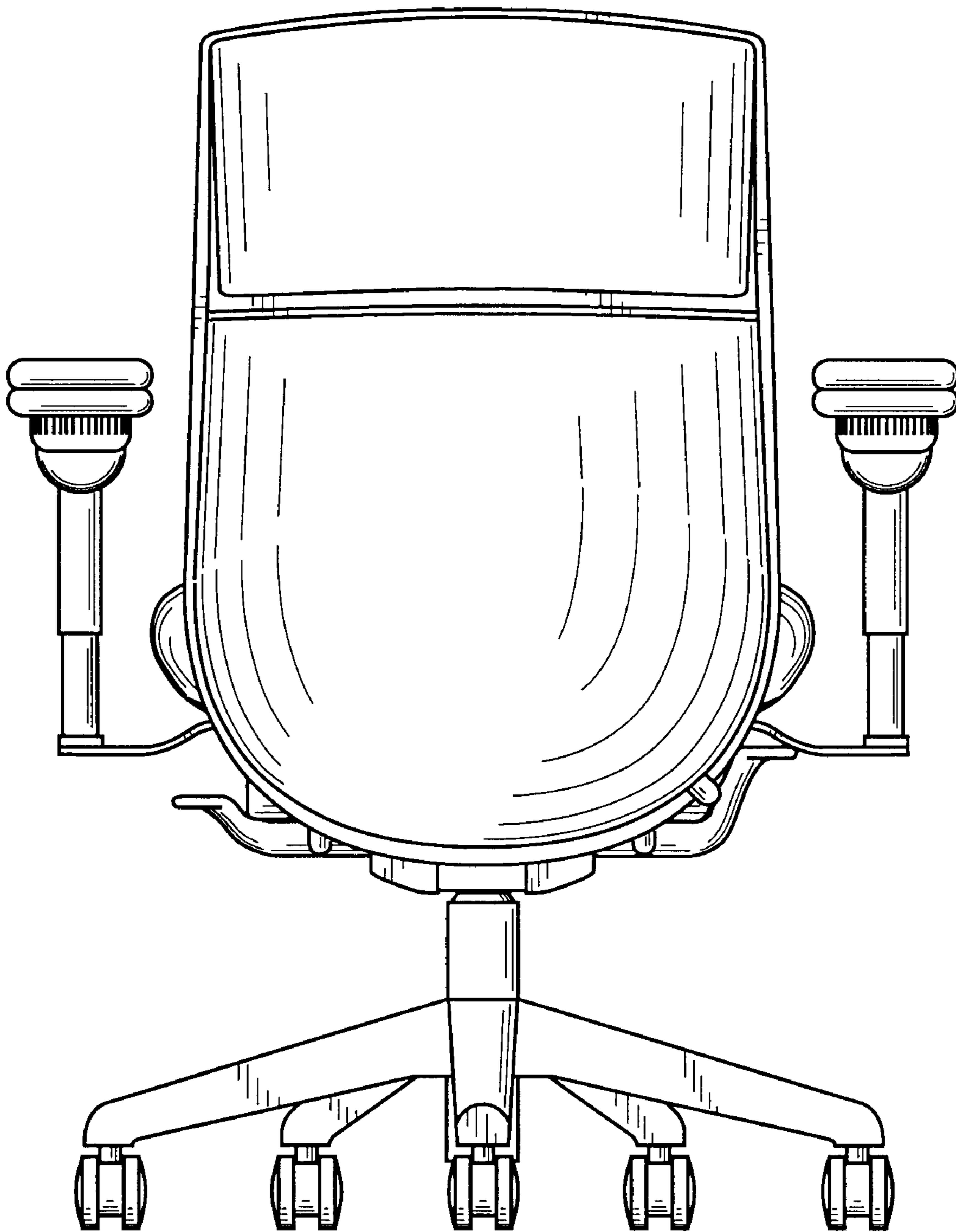
**FIG. 1**



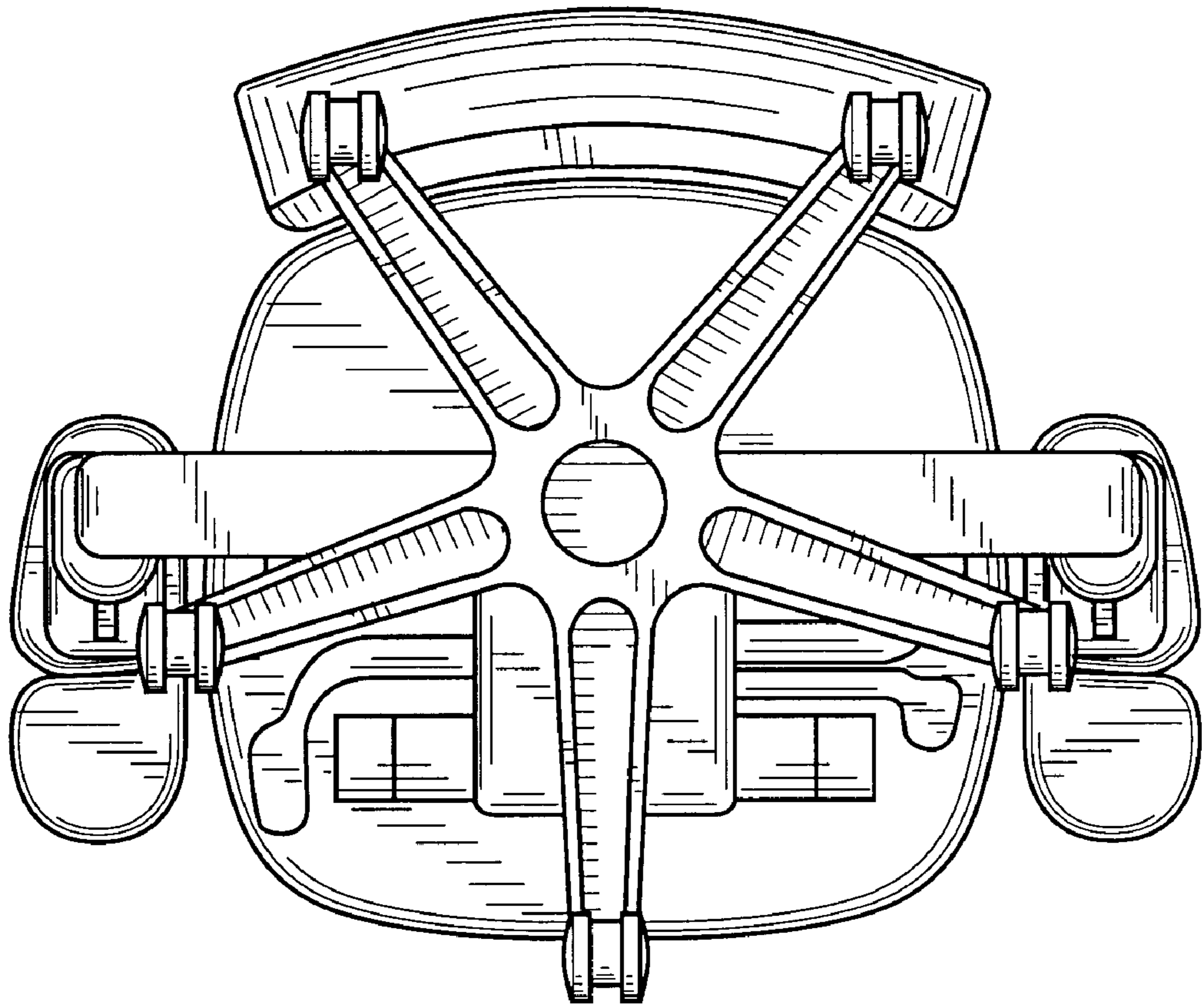
**FIG. 2**



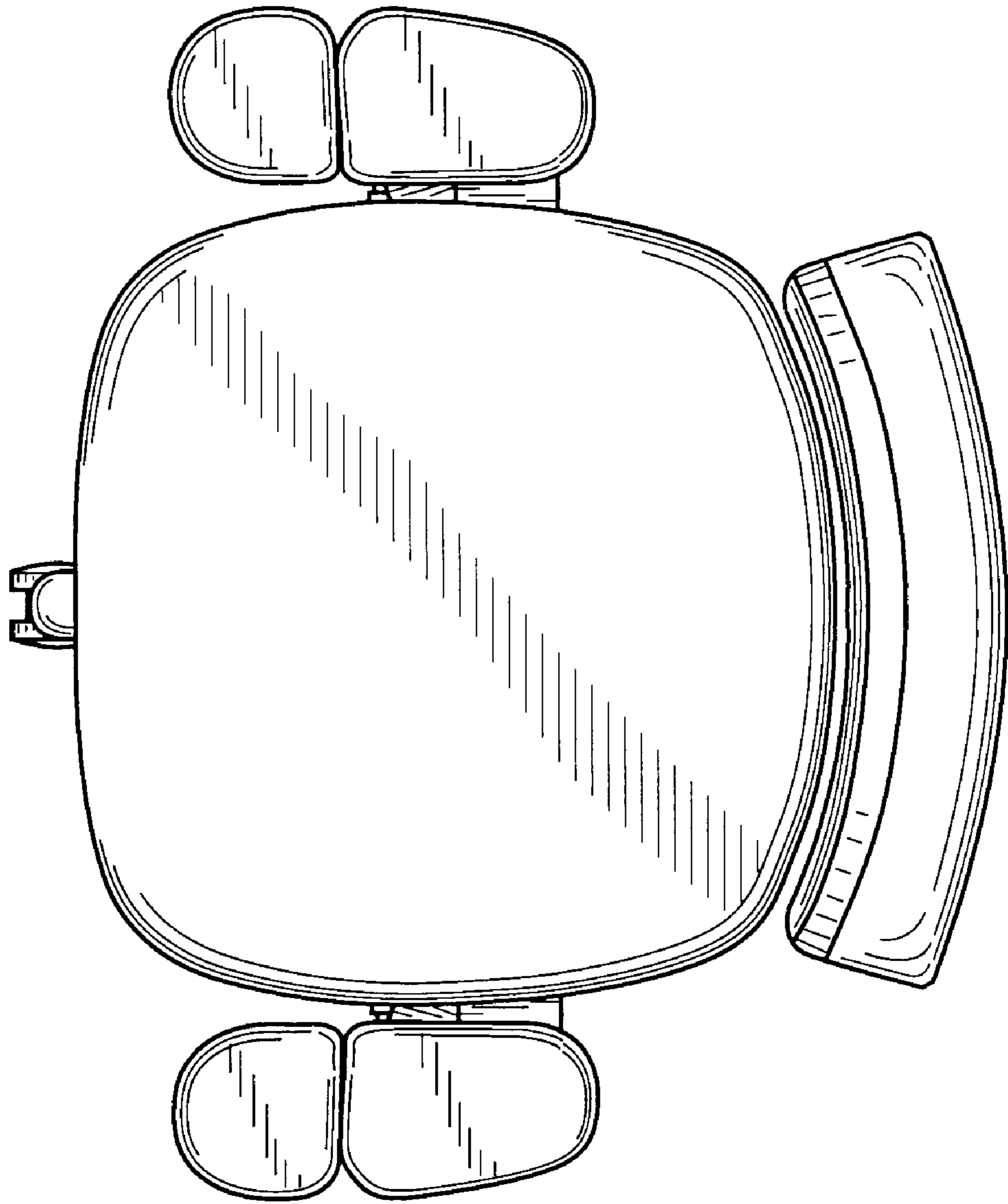
**FIG. 3**



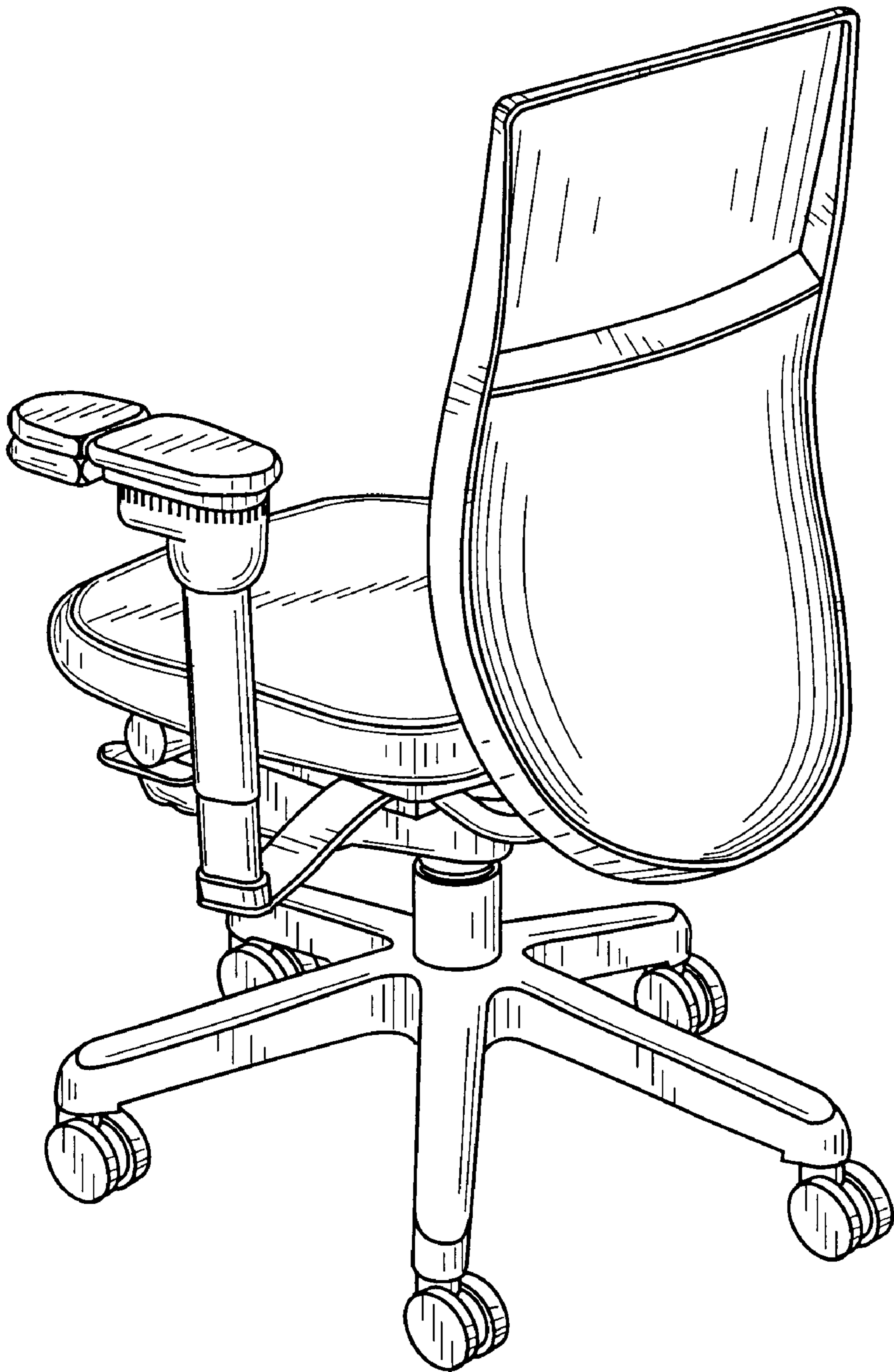
**FIG. 4**



**FIG. 5**



**FIG. 6**



**FIG. 7**