



US00D481546S

(12) **United States Design Patent**
Dowd

(10) **Patent No.: US D481,546 S**

(45) **Date of Patent: ** Nov. 4, 2003**

(54) **DISPLAY STAND**

(76) Inventor: **Michael Dowd**, Unit 21, The Arches
Hartland Road, London NW1 8HR
(GB)

(**) Term: **14 Years**

(21) Appl. No.: **29/157,233**

(22) Filed: **Mar. 15, 2002**

(30) **Foreign Application Priority Data**

Sep. 17, 2001 (GB) 2104869

(51) **LOC (7) Cl. 06-04**

(52) **U.S. Cl. D6/332**

(58) **Field of Search** D6/332, 396, 397;
D20/10, 39; D25/58; 40/603, 605, 610;
52/633, 645, 646

(56) **References Cited**

U.S. PATENT DOCUMENTS

D261,701 S	*	11/1981	Ovitz, III	D6/490
D264,284 S	*	5/1982	Nedermann	D25/58
4,700,498 A	*	10/1987	Perutz et al.	40/603
D304,526 S	*	11/1989	Moss	D6/332
D390,879 S	*	2/1998	Justen et al.	D20/10
D399,063 S	*	10/1998	Verbeek et al.	D6/332
D408,929 S	*	4/1999	Fear et al.	D25/58
5,966,857 A	*	10/1999	Pettersson et al.	40/606
D415,901 S	*	11/1999	Arko et al.	D6/332
5,983,545 A	*	11/1999	Marco	40/610
D427,783 S	*	7/2000	Luedke	D6/332

6,161,320 A	*	12/2000	Peterson	40/605
D449,169 S	*	10/2001	Bennie et al.	D6/332
D457,737 S	*	5/2002	Citterio	D6/332
D458,463 S	*	6/2002	Citterio	D6/332
6,457,684 B1	*	10/2002	McKendry	248/127

FOREIGN PATENT DOCUMENTS

DE	7/053645	*	10/2000
DE	29908162	*	10/2002

* cited by examiner

Primary Examiner—Cathron C. Brooks

(74) *Attorney, Agent, or Firm*—Fay, Sharpe, Fagan,
Minnich & McKee, LLP

(57) **CLAIM**

The ornamental design for a display stand, as shown and described.

DESCRIPTION

FIG. 1 is a front elevational view of a display stand showing my new design;

FIG. 2 is a front perspective view thereof;

FIG. 3 is a rear perspective view thereof;

FIG. 4 is a side perspective view thereof;

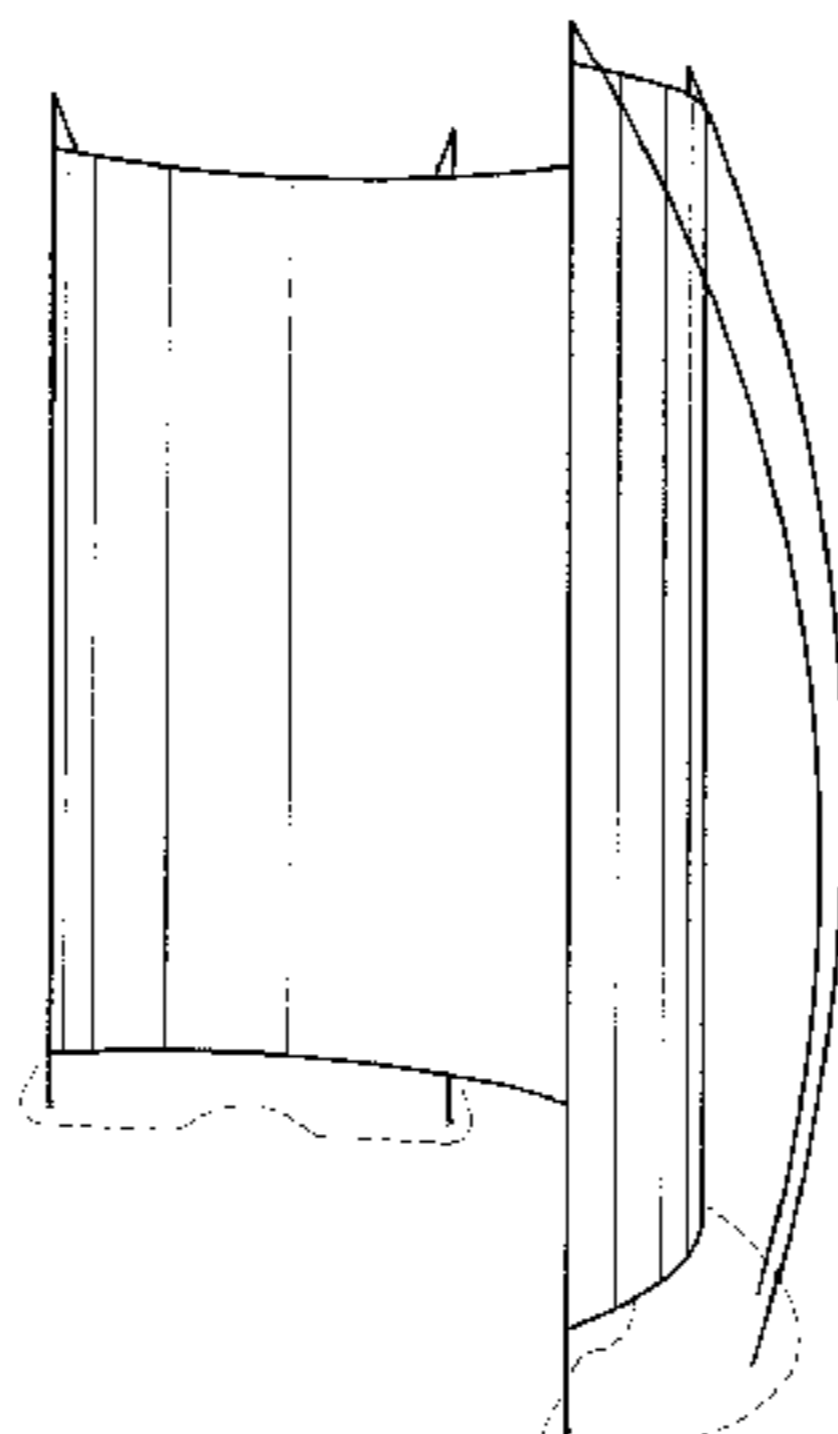
FIG. 5 is a front perspective view of a second embodiment of the display stand showing my new design;

FIG. 6 is a rear perspective view thereof; and,

FIG. 7 is a side perspective view thereof.

The broken line showing of base portions illustrated in FIGS. 1-7 form no part of the claimed design.

1 Claim, 4 Drawing Sheets



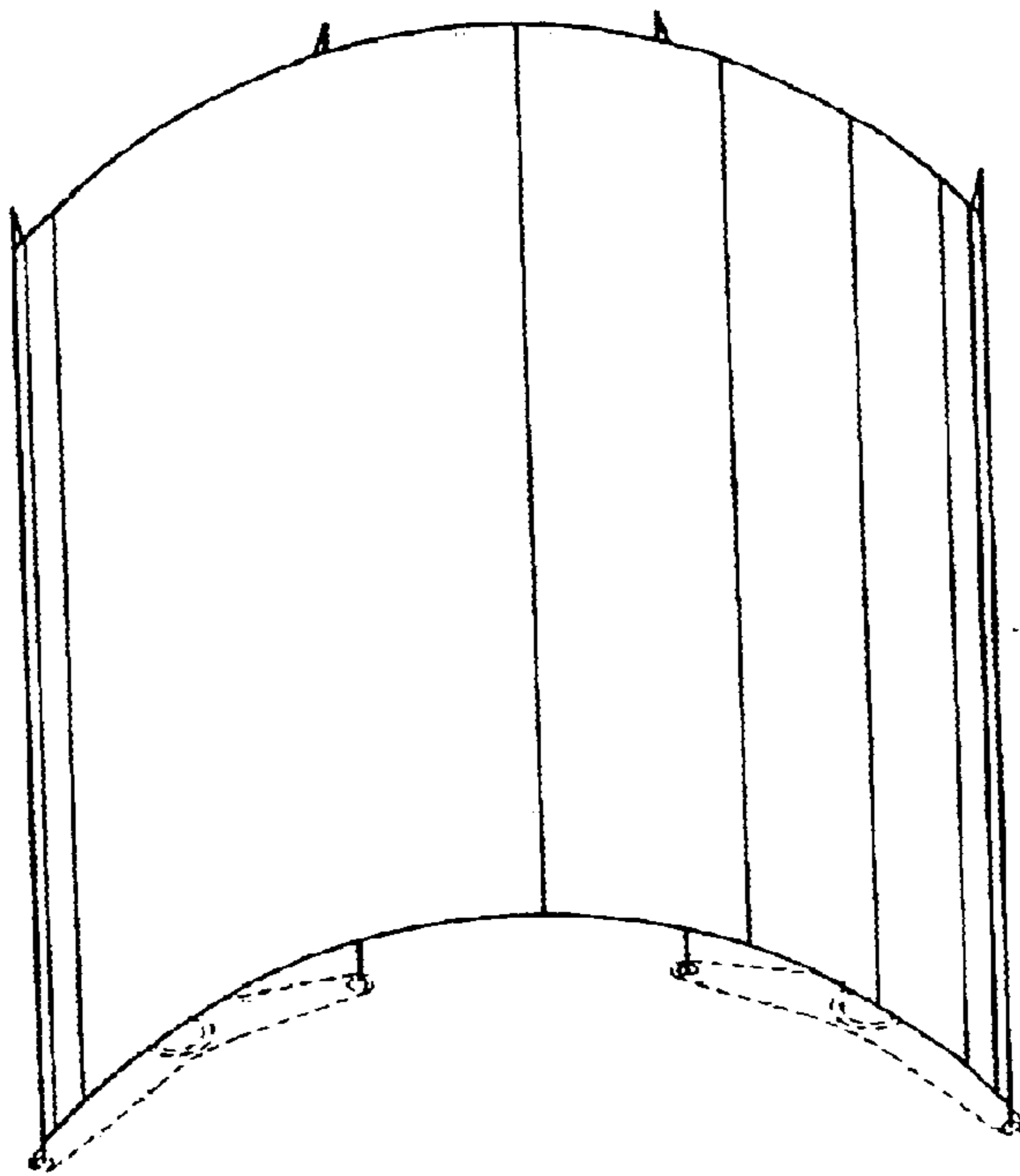


FIG. 1

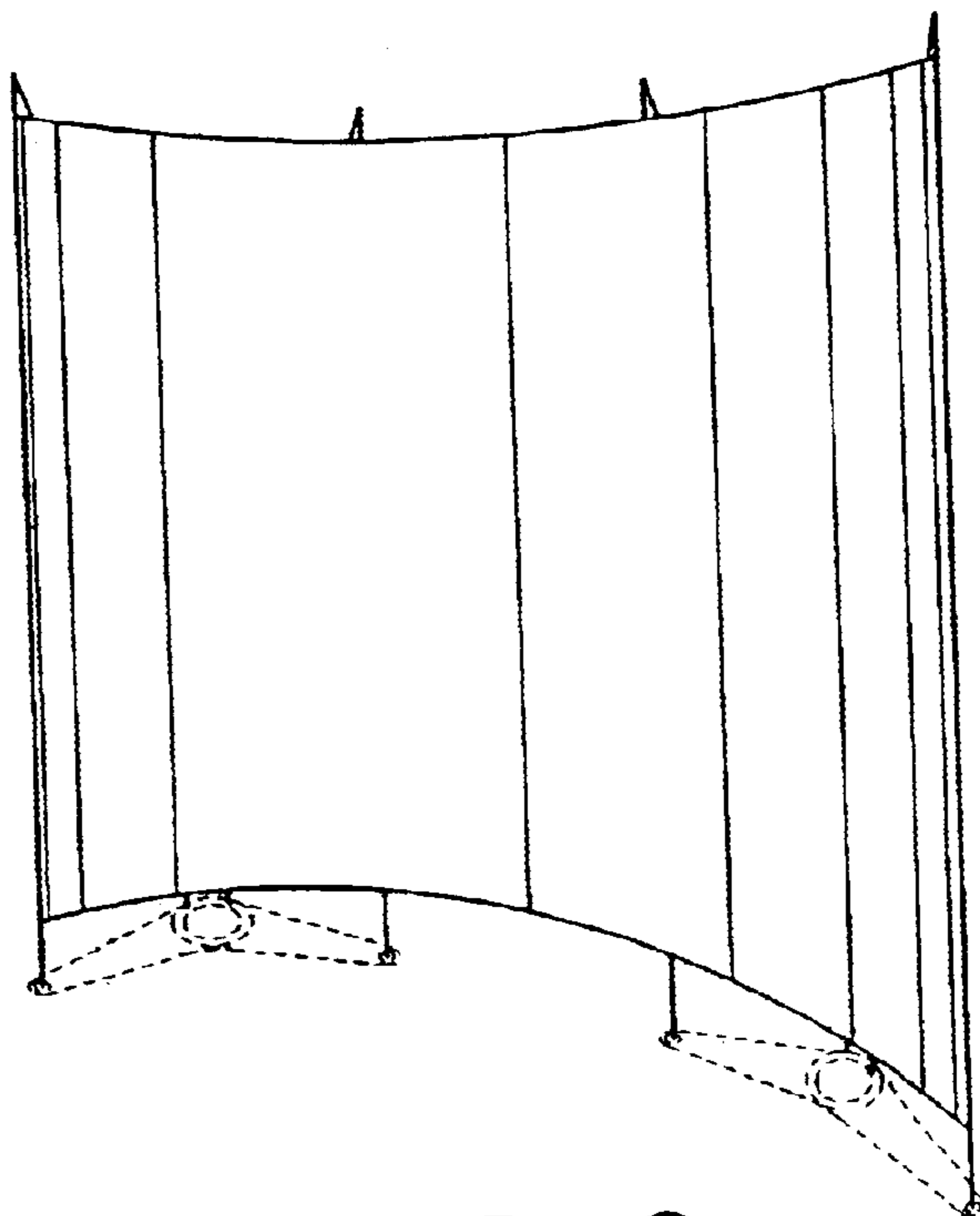


FIG. 2

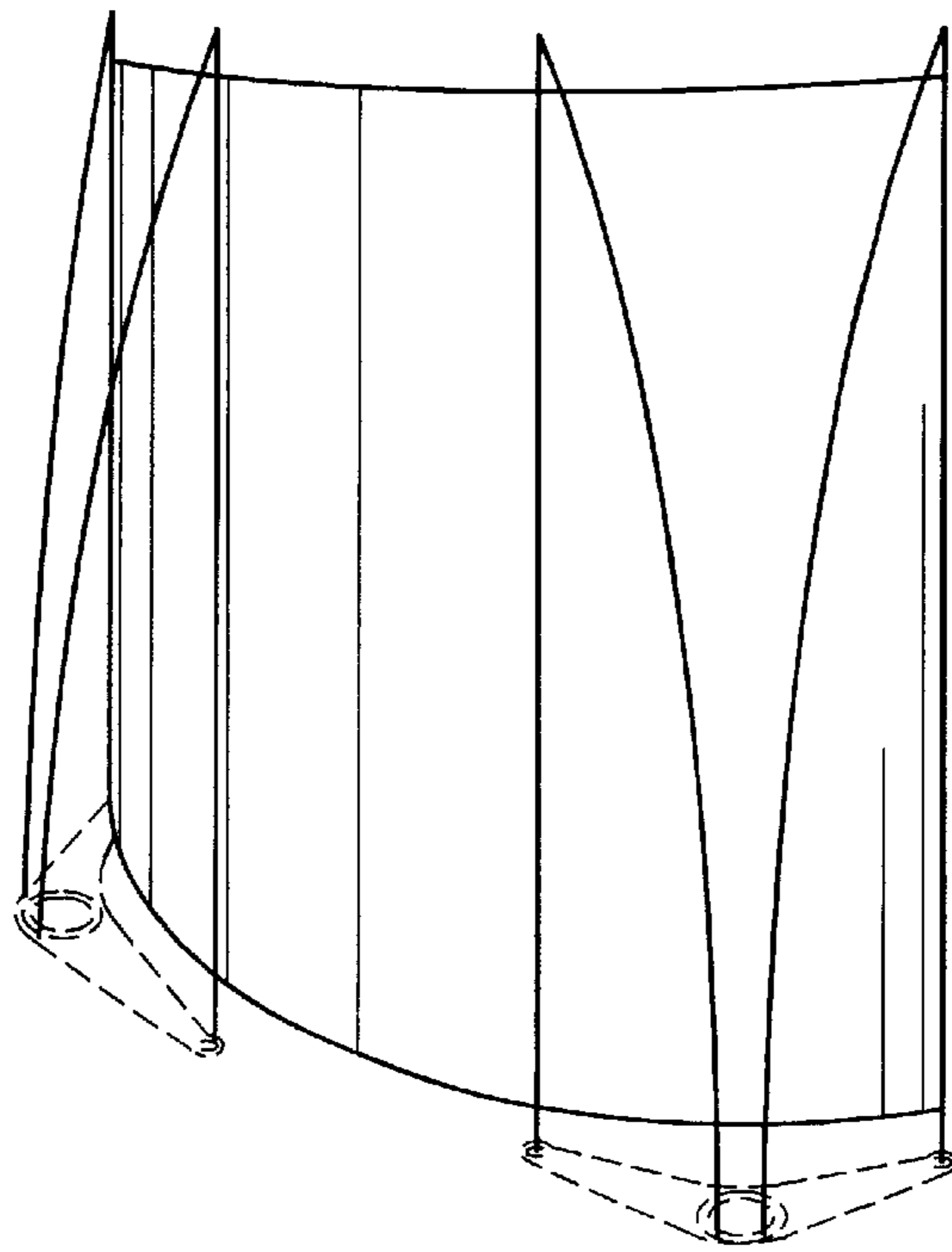


FIG. 3



FIG. 4

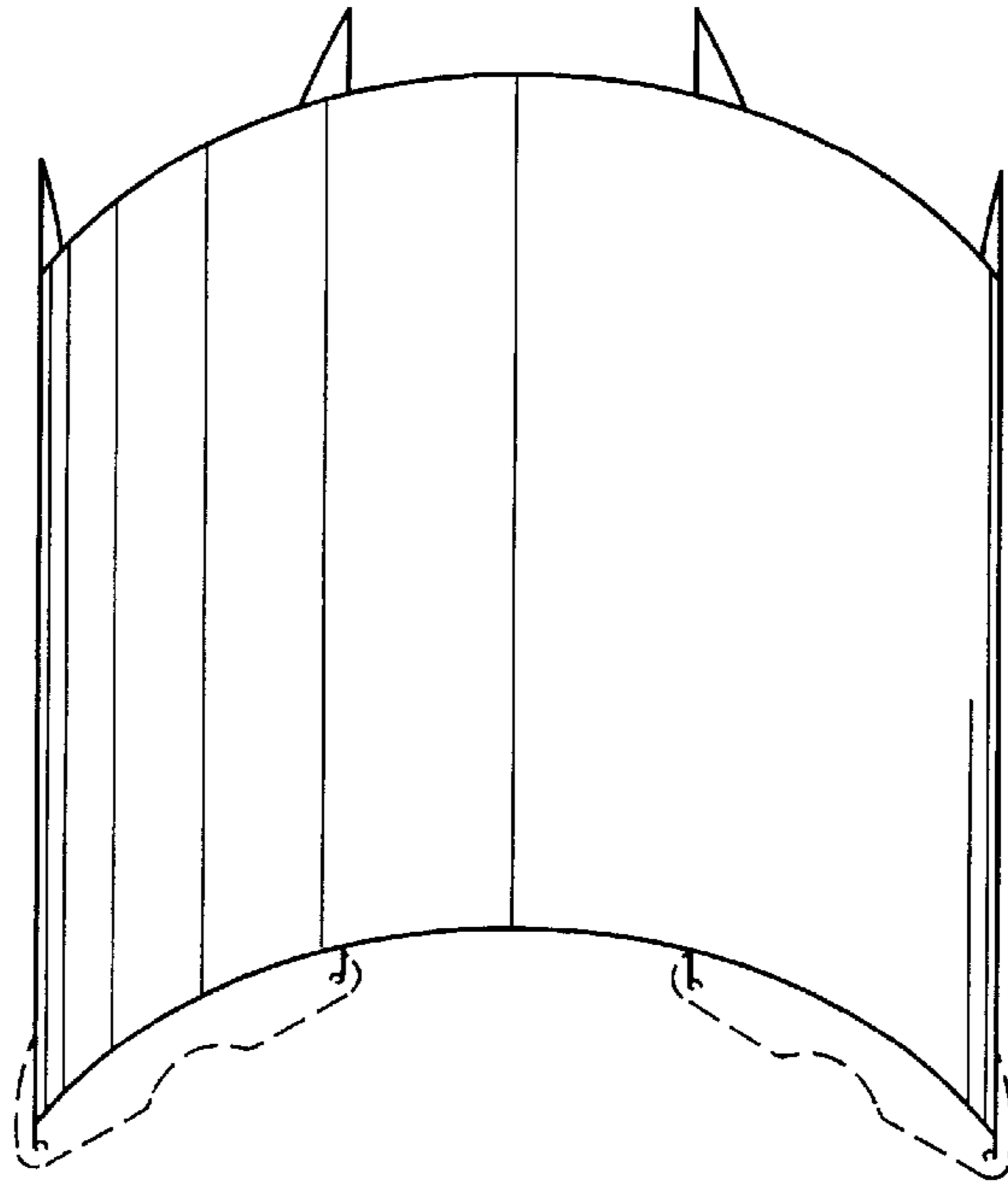


FIG. 5

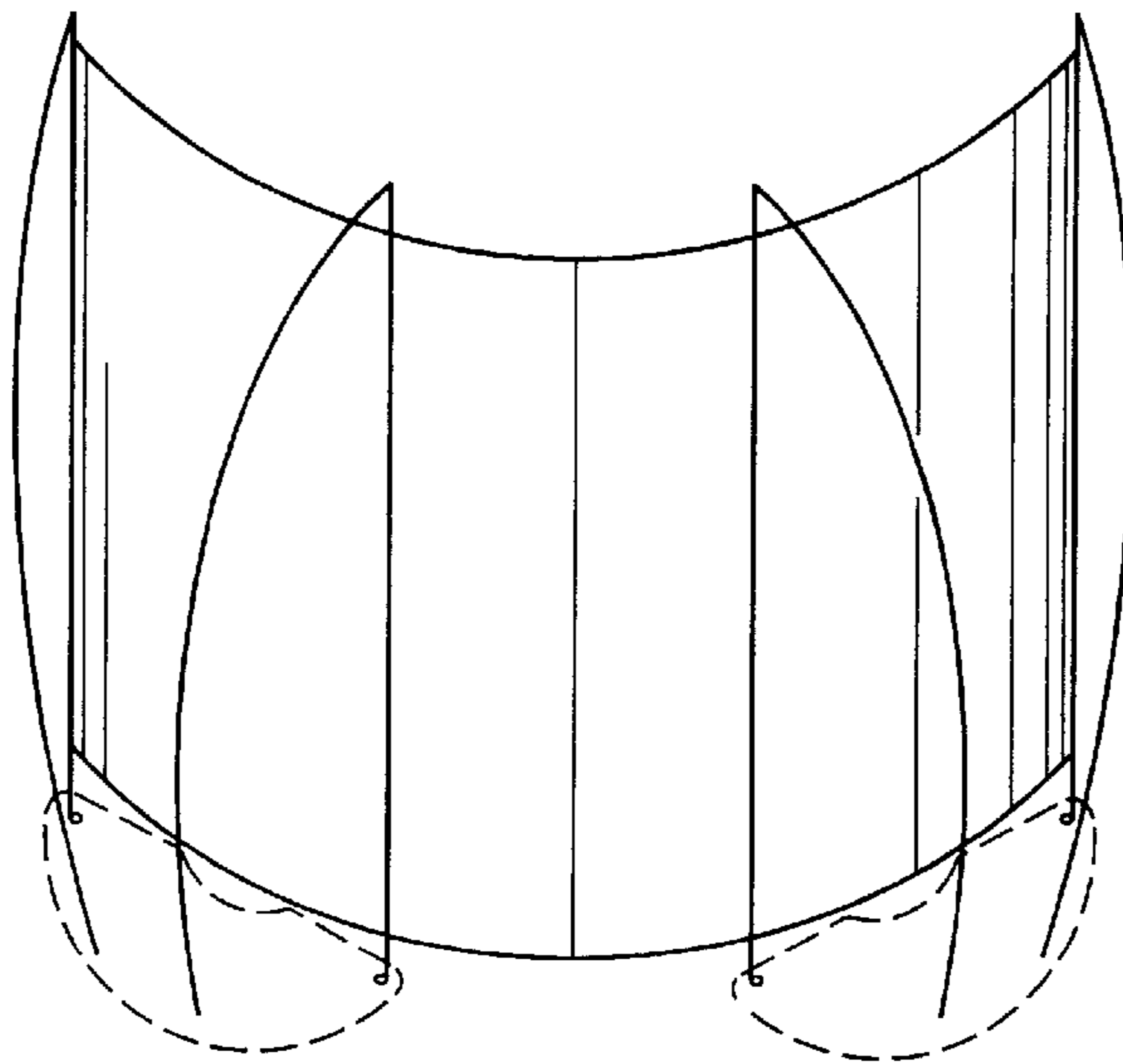


FIG. 6

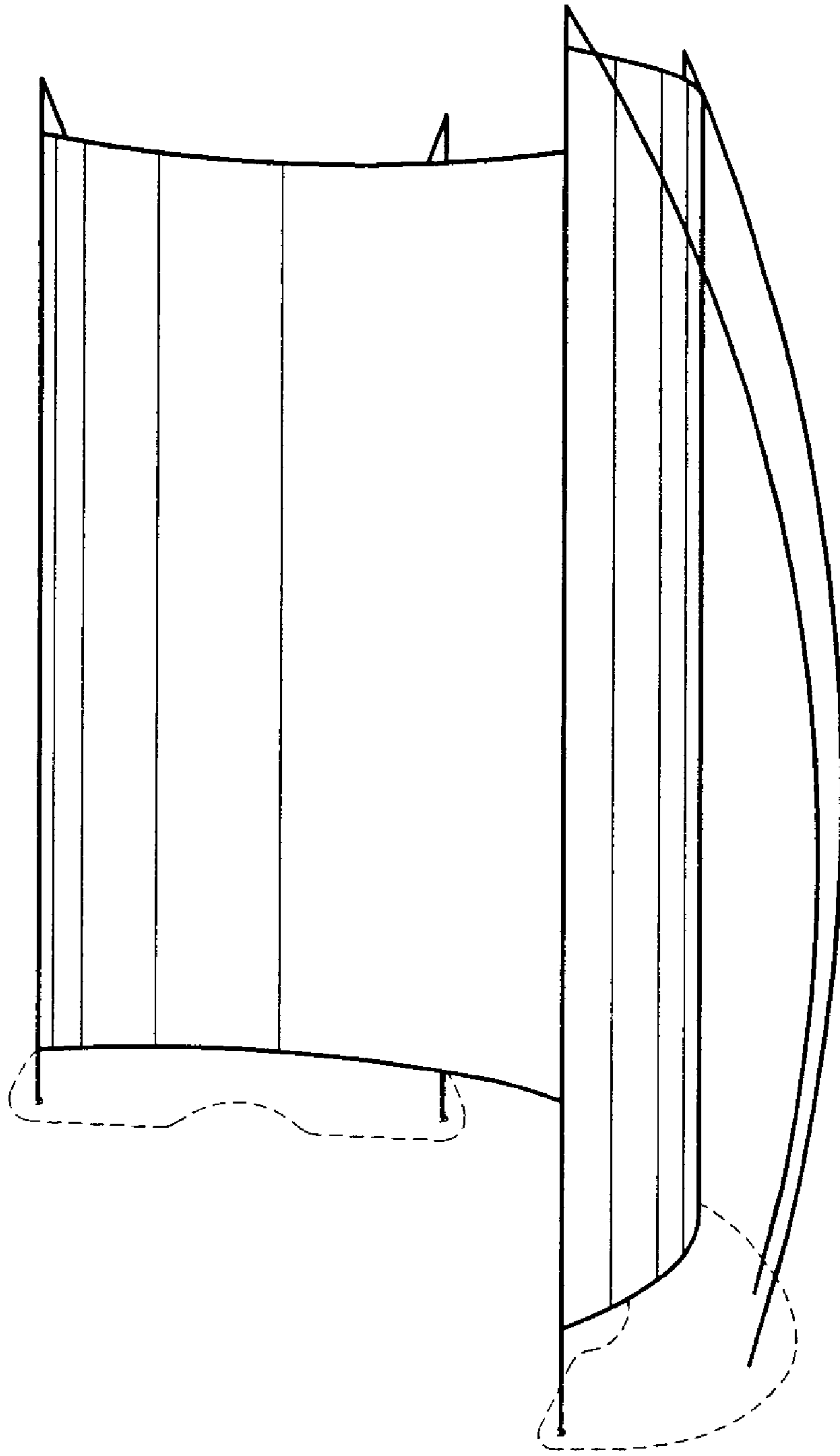


FIG. 7