



US00D481544S

(12) **United States Design Patent**
Di Leggerini

(10) **Patent No.:** **US D481,544 S**

(45) **Date of Patent:** **** Nov. 4, 2003**

(54) **FRAME STRUCTURE FOR ART WORK**

(76) Inventor: **Heine Di Leggerini**, Kleiverudveien
169, N-3080 Holmestrand (NO)

(**) Term: **14 Years**

(21) Appl. No.: **29/159,265**

(22) Filed: **Apr. 18, 2002**

(51) **LOC (7) Cl.** **06-07**

(52) **U.S. Cl.** **D6/300**

(58) **Field of Search** D6/300-302, 308-314;
40/700, 711, 714-716, 720, 721, 722, 725,
732, 734, 765-767, 768, 790, 798, 701,
705, 706, 707, 709, 710

(56) **References Cited**

U.S. PATENT DOCUMENTS

2,268,529 A * 12/1941 Stiles D6/300 X

(List continued on next page.)

Primary Examiner—Janice E. Seeger

(74) *Attorney, Agent, or Firm*—Rodman & Rodman

(57) **CLAIM**

The ornamental design for a frame structure for art work, as shown and described.

DESCRIPTION

FIG. 1 is a front perspective view of a frame structure for art work,

FIG. 2 is a rear perspective view of the frame structure shown in FIG. 1,

FIG. 3 is a front view of the frame structure,

FIG. 4 is a rear view of the frame structure,

FIG. 5 is a top view of the frame structure,

FIG. 6 is a bottom view of the frame structure,

FIG. 7 is a side view of the frame structure from one side,

FIG. 8 is a side view of the frame structure from the other side,

FIG. 9 is a front perspective view of a first modification of the frame structure for art work shown in FIG. 1,

FIG. 10 is a rear perspective view of the first modification of the frame structure,

FIG. 11 is a front view of the first modification of the frame structure,

FIG. 12 is a rear view of the first modification of the frame structure,

FIG. 13 is a top view of the first modification of the frame structure,

FIG. 14 is a bottom view of the first modification of the frame structure,

FIG. 15 is a side view of the first modification of the frame structure, from one side,

FIG. 16 is a side view of the first modification of the frame structure, from the other side,

FIG. 17 is a front perspective view of a second modification of the frame structure for art work as shown in FIG. 1,

FIG. 18 is a rear perspective view of the second modification of the frame structure,

FIG. 19 is a front view of the second modification of the frame structure,

FIG. 20 is a rear view of the second modification of the frame structure,

FIG. 21 is a top view of the second modification of the frame structure,

FIG. 22 is a bottom view of the second modification of the frame structure,

FIG. 23 is a side view of the second modification of the frame structure from one side,

FIG. 24 is a side view of the second modification of the frame structure from the other side,

FIG. 25 is a front perspective view of a third modification of the frame structure for art work as shown in FIG. 1,

FIG. 26 is a rear perspective view of the third modification of the frame structure,

FIG. 27 is a front view of the third modification of the frame structure,

FIG. 28 is a rear view of the third modification of the frame structure,

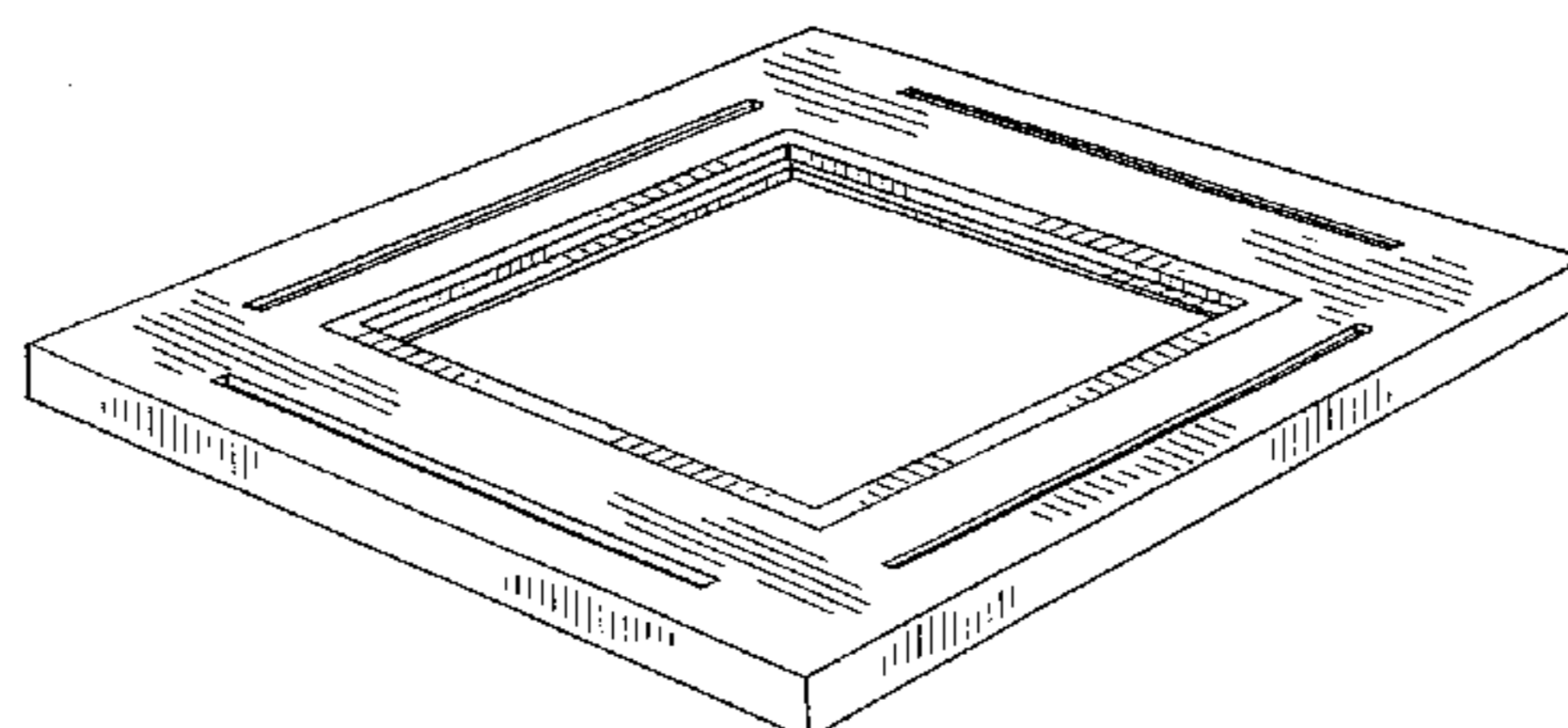
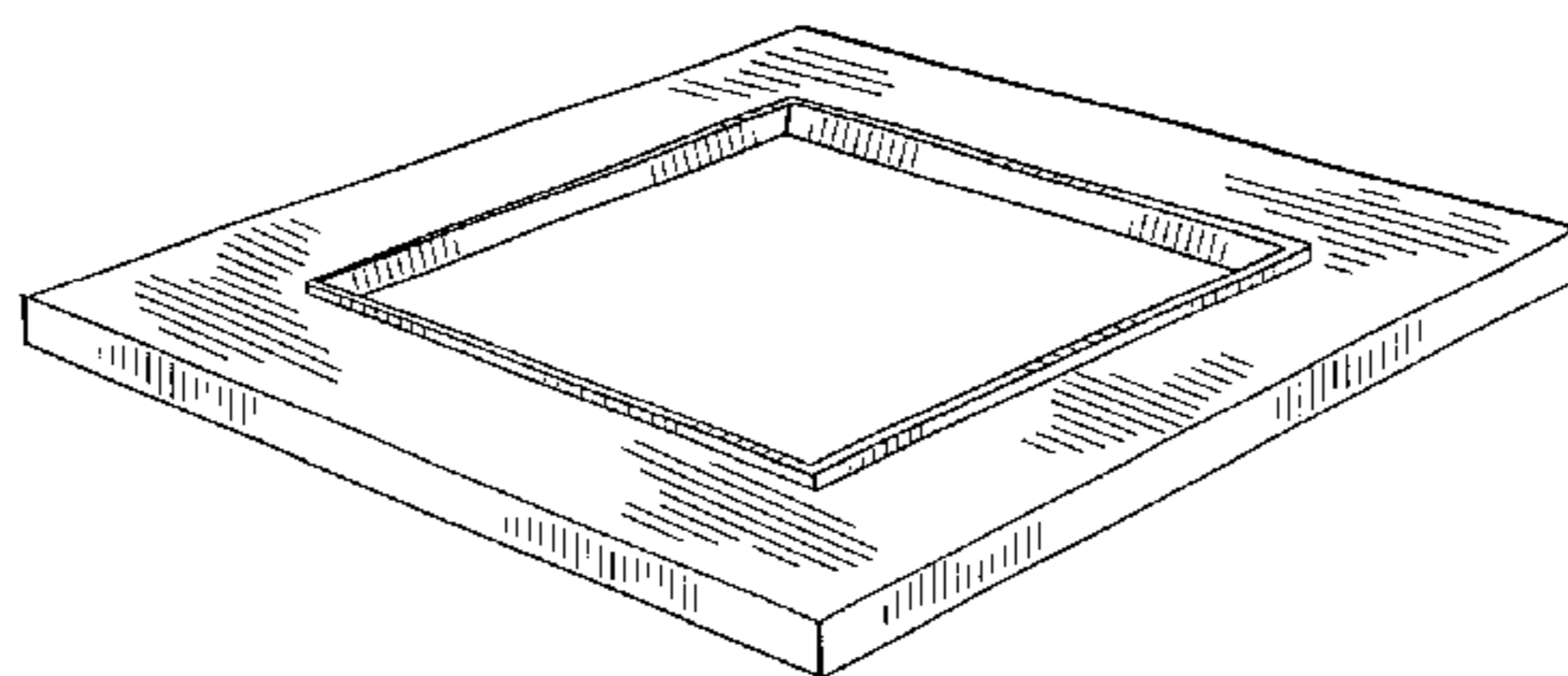
FIG. 29 is a top view of the third modification of the frame structure,

FIG. 30 is a bottom view of the third modification of the frame structure,

FIG. 31 is a side view of the third modification of the frame structure from one side, and,

FIG. 32 is a side view of the third modification of the frame structure from the other side.

1 Claim, 8 Drawing Sheets



US D481,544 S

Page 2

U.S. PATENT DOCUMENTS			
		3,486,263 A * 12/1969 Larsson	40/706
		D292,044 S * 9/1987 Billiet	D6/300
2,948,977 A * 9/1960 Meissner	40/705		
3,242,604 A * 3/1966 Ott	40/707		
3,347,134 A * 10/1967 Nerwin	40/725	* cited by examiner	

FIG. 1

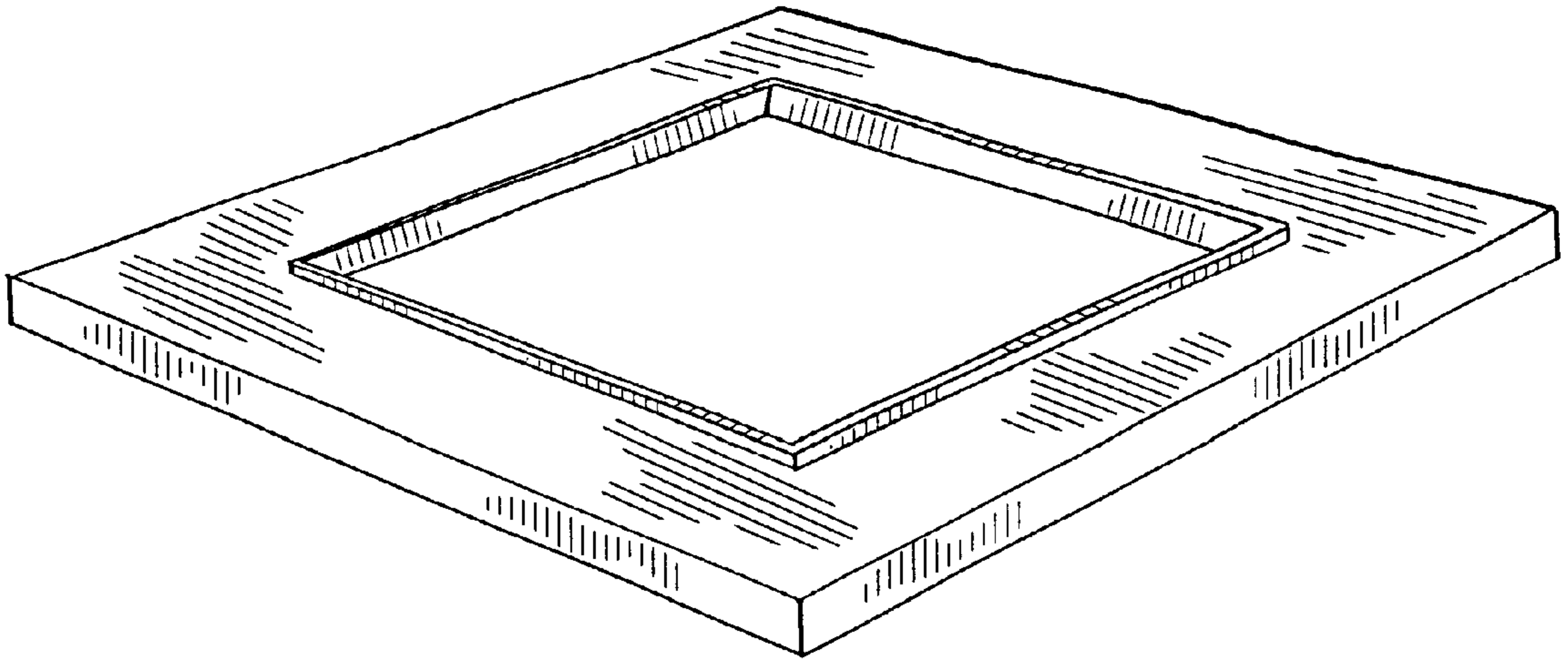


FIG. 2

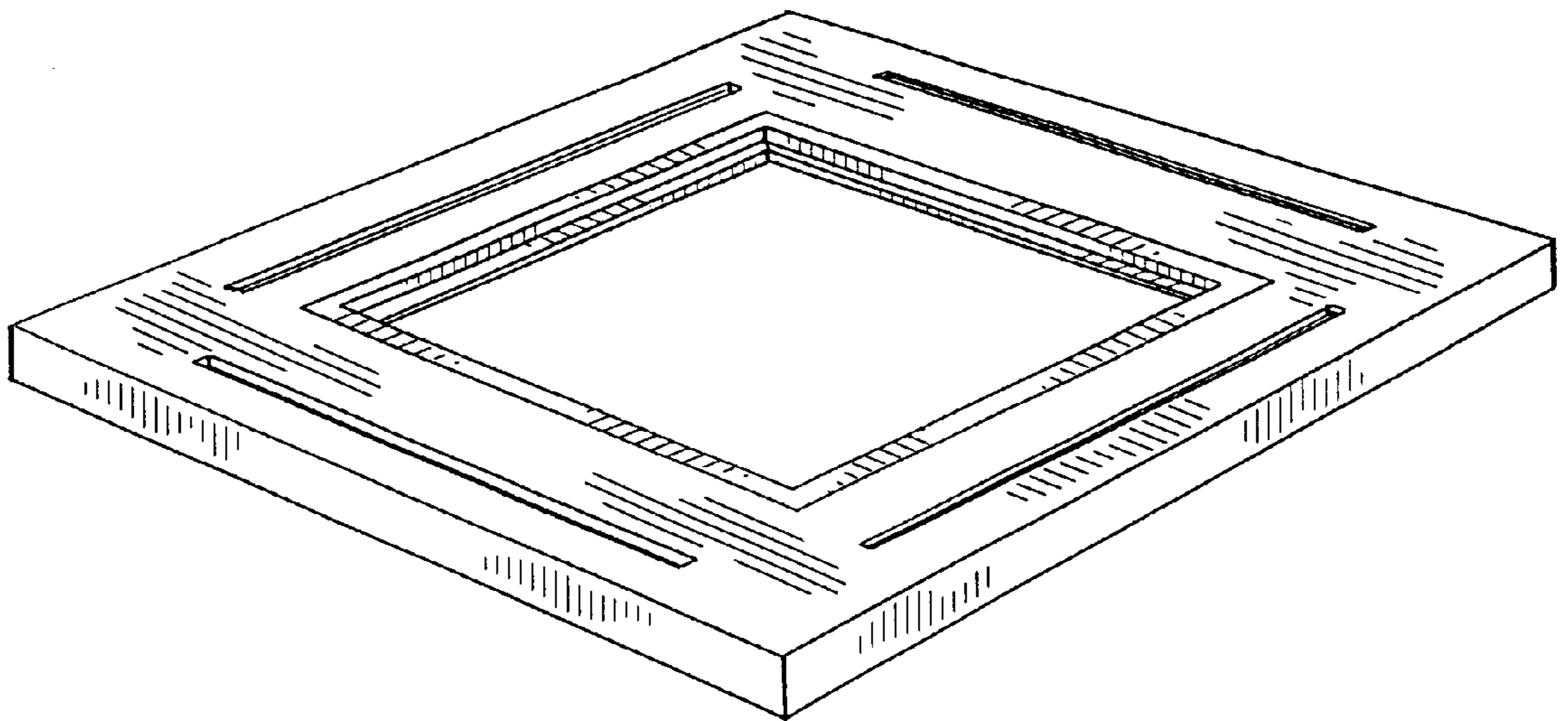


FIG. 5

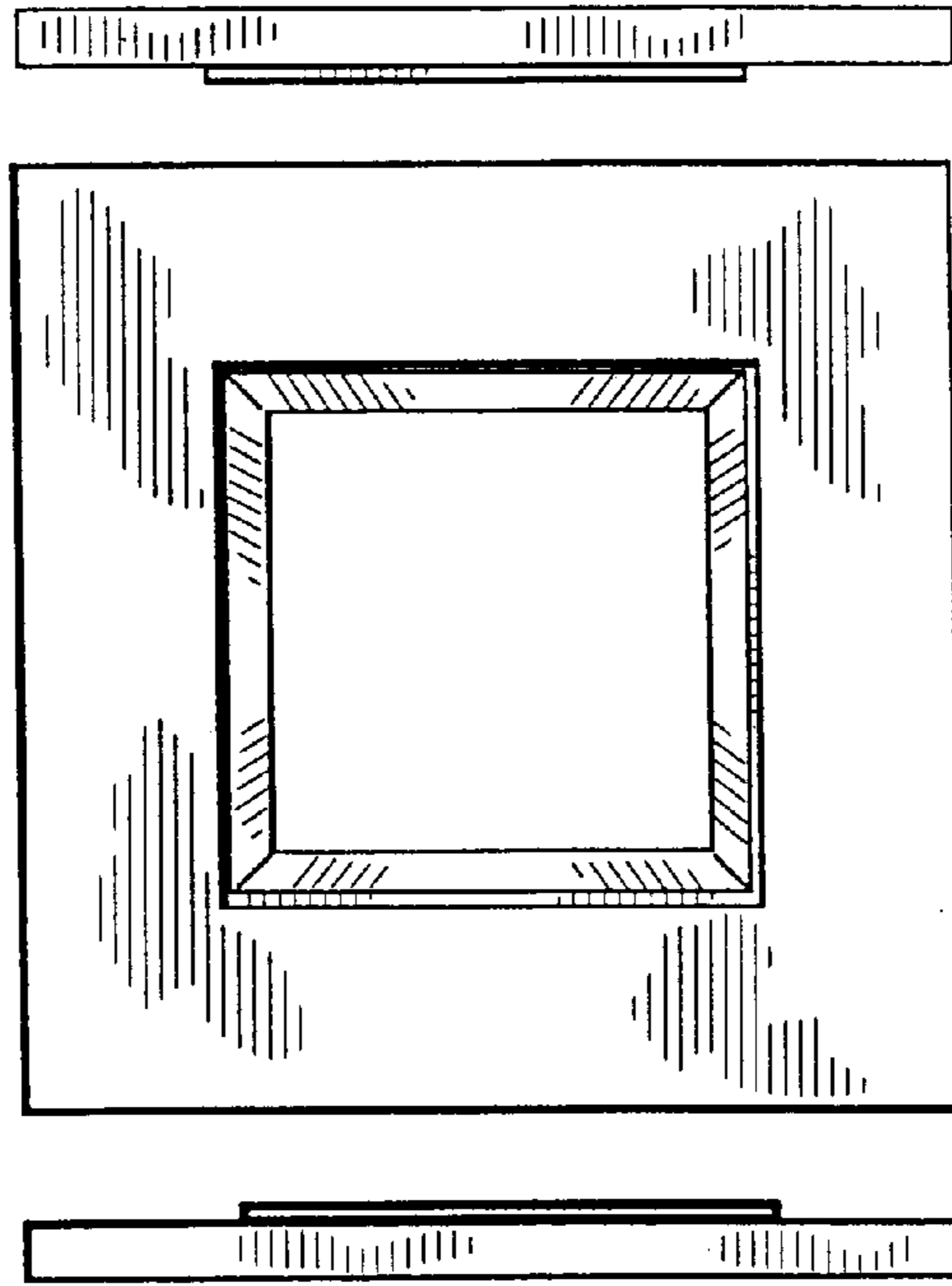


FIG. 3

FIG. 6

FIG. 7

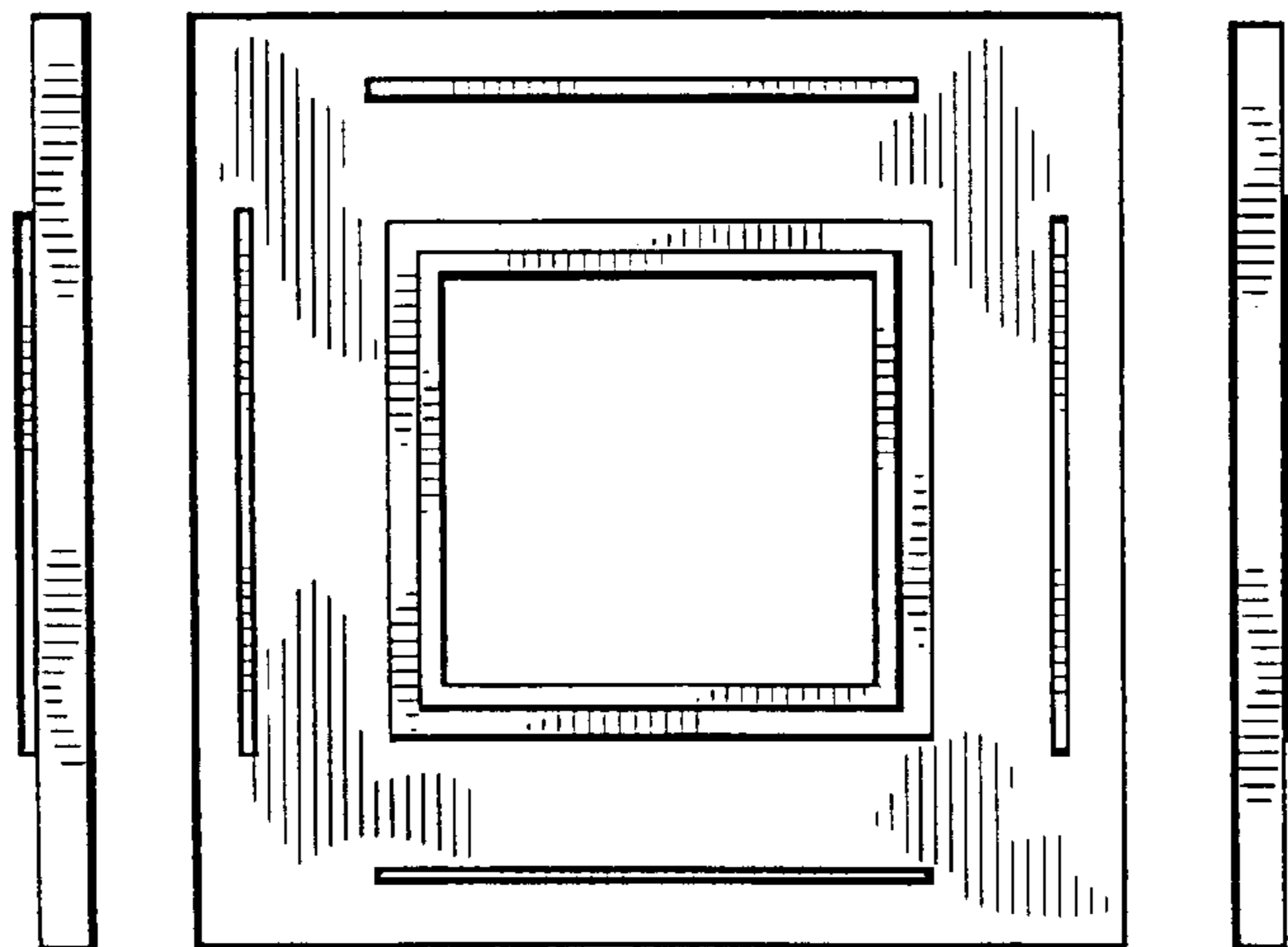


FIG. 8

FIG. 4

FIG. 9

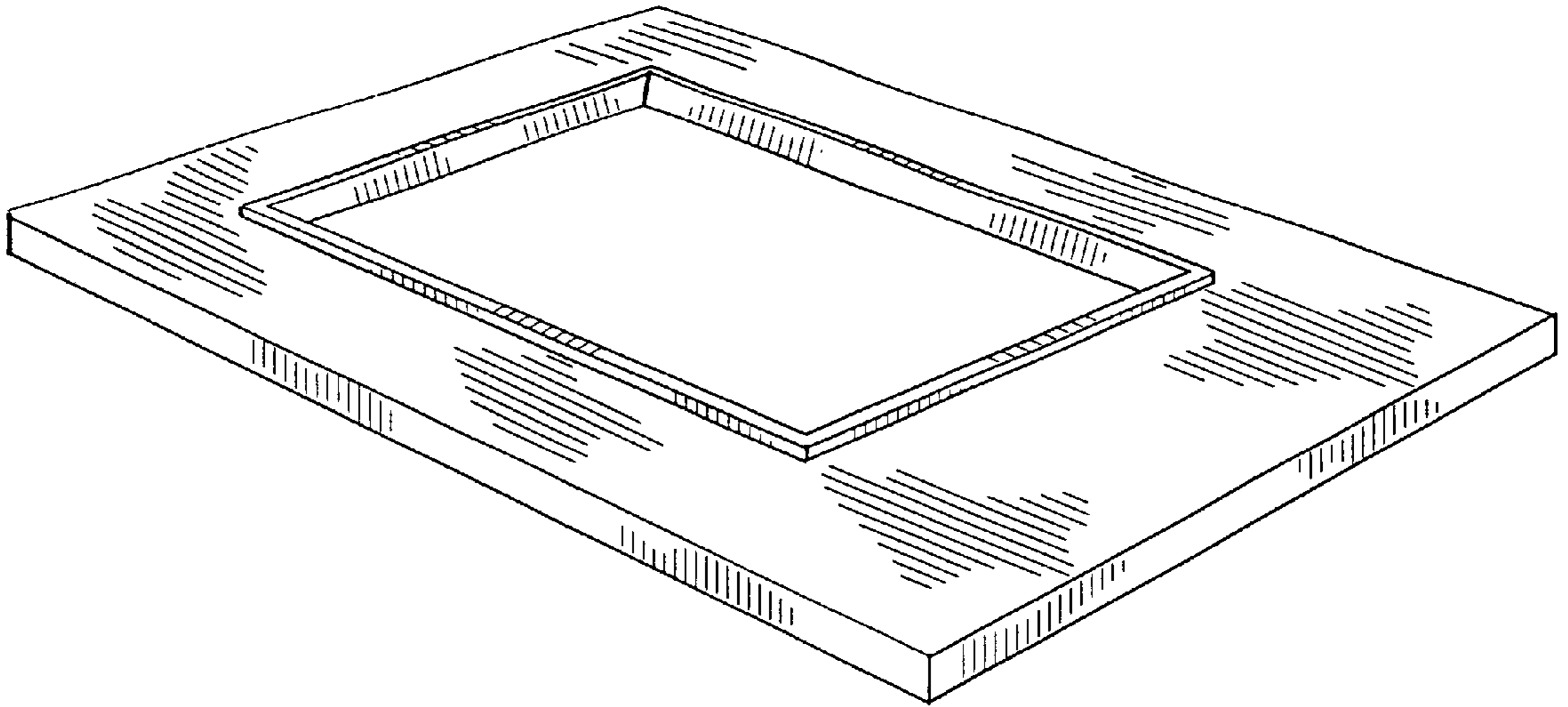


FIG. 10

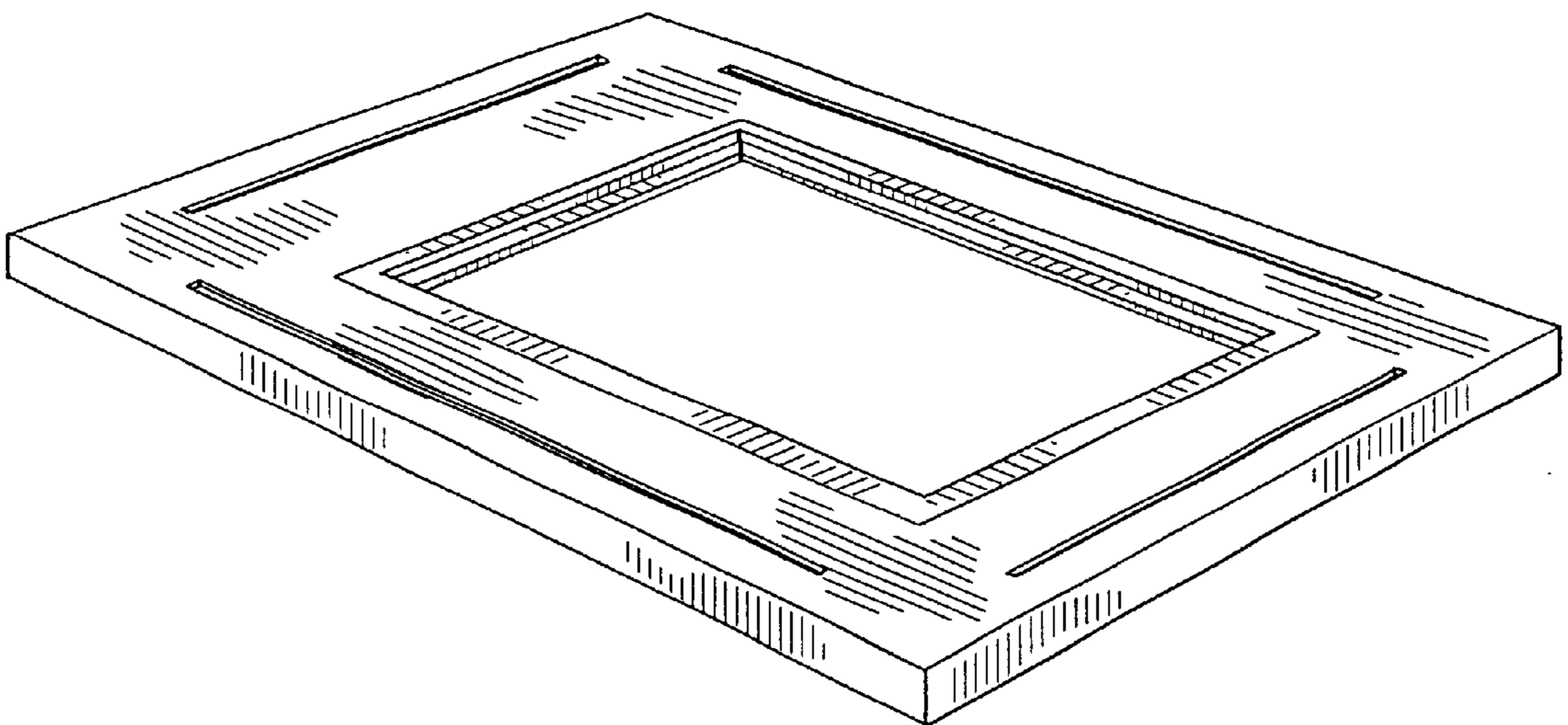


FIG. 13

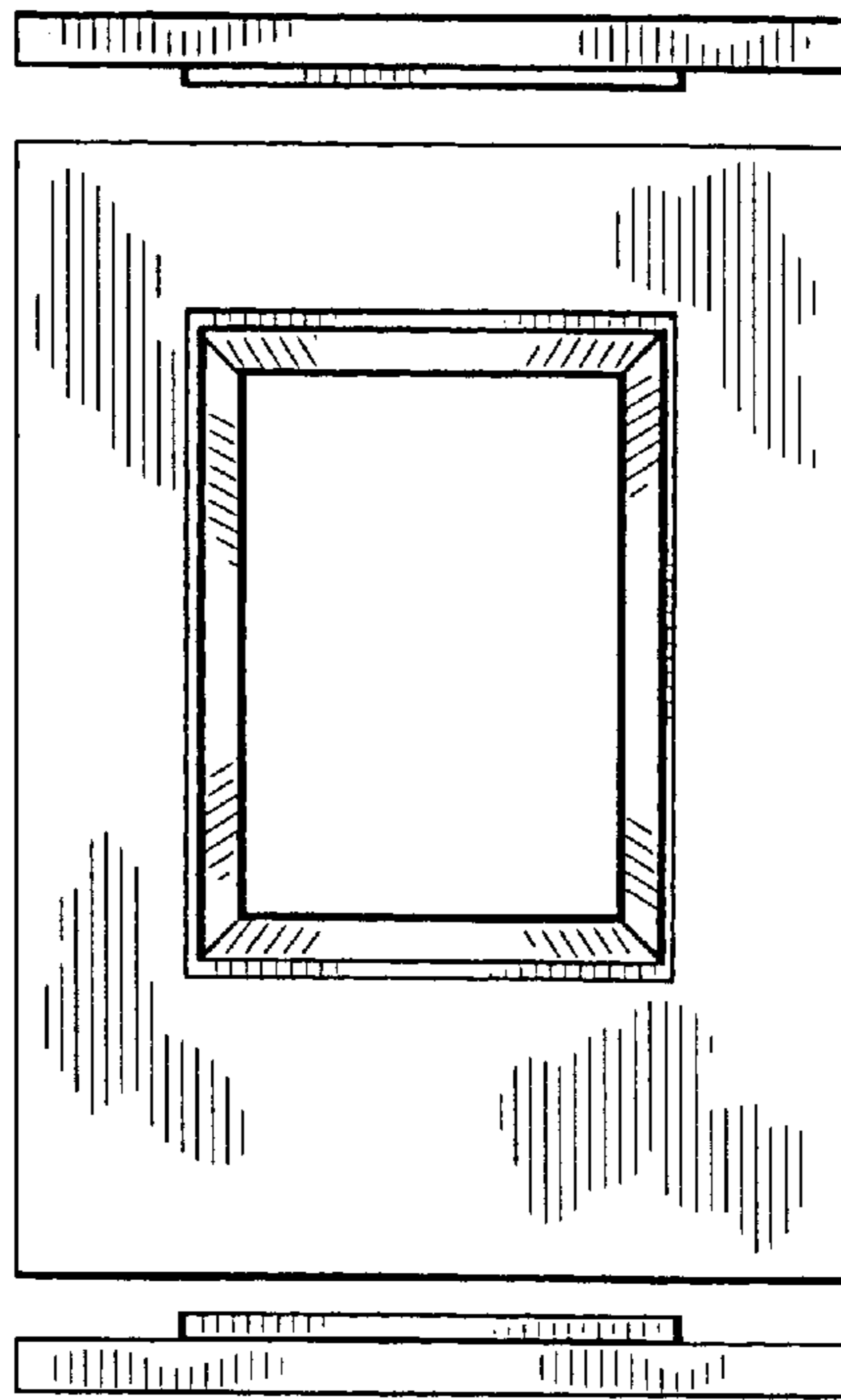


FIG. 11

FIG. 14

FIG. 15

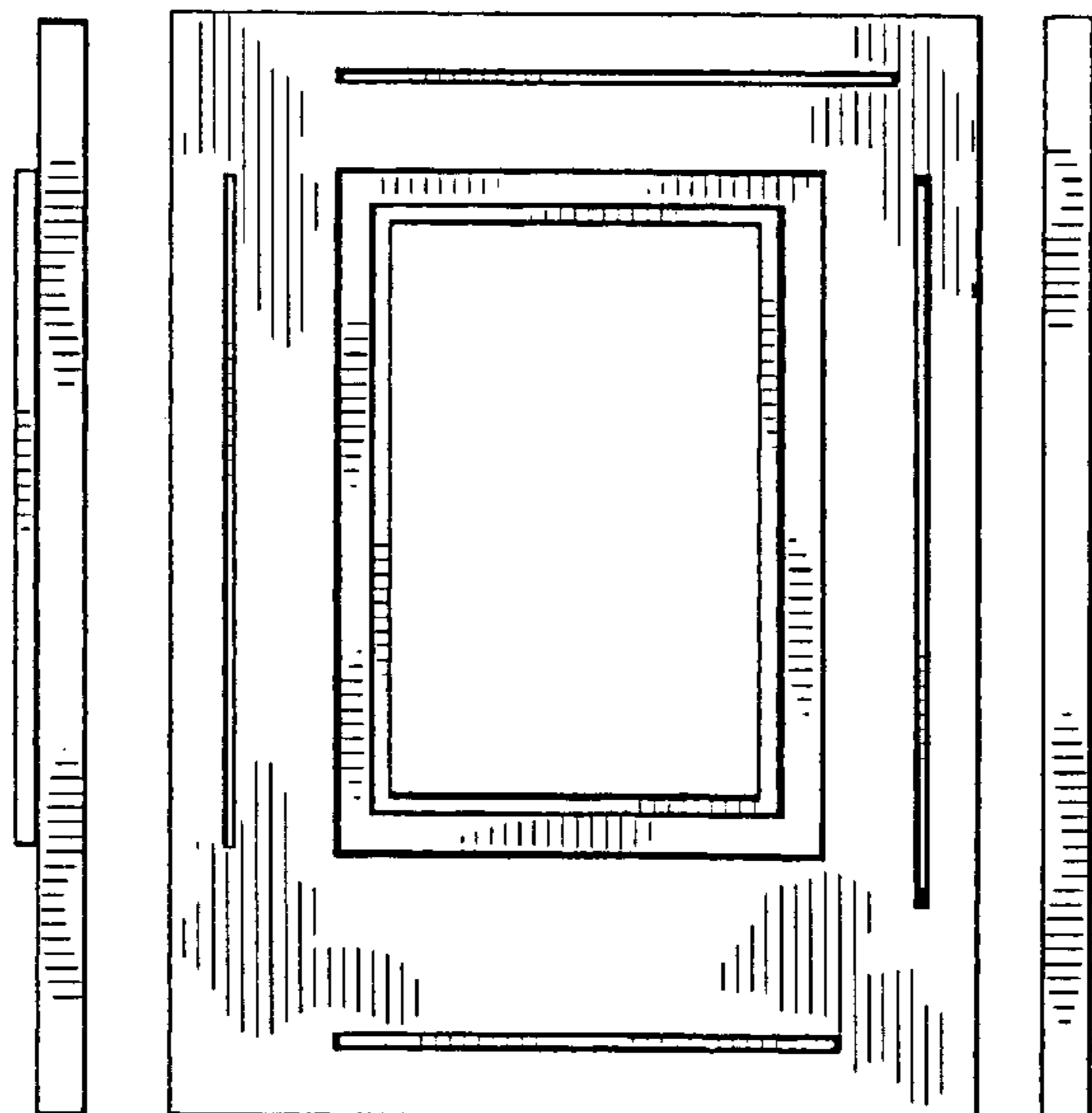


FIG. 16

FIG. 12

FIG. 17

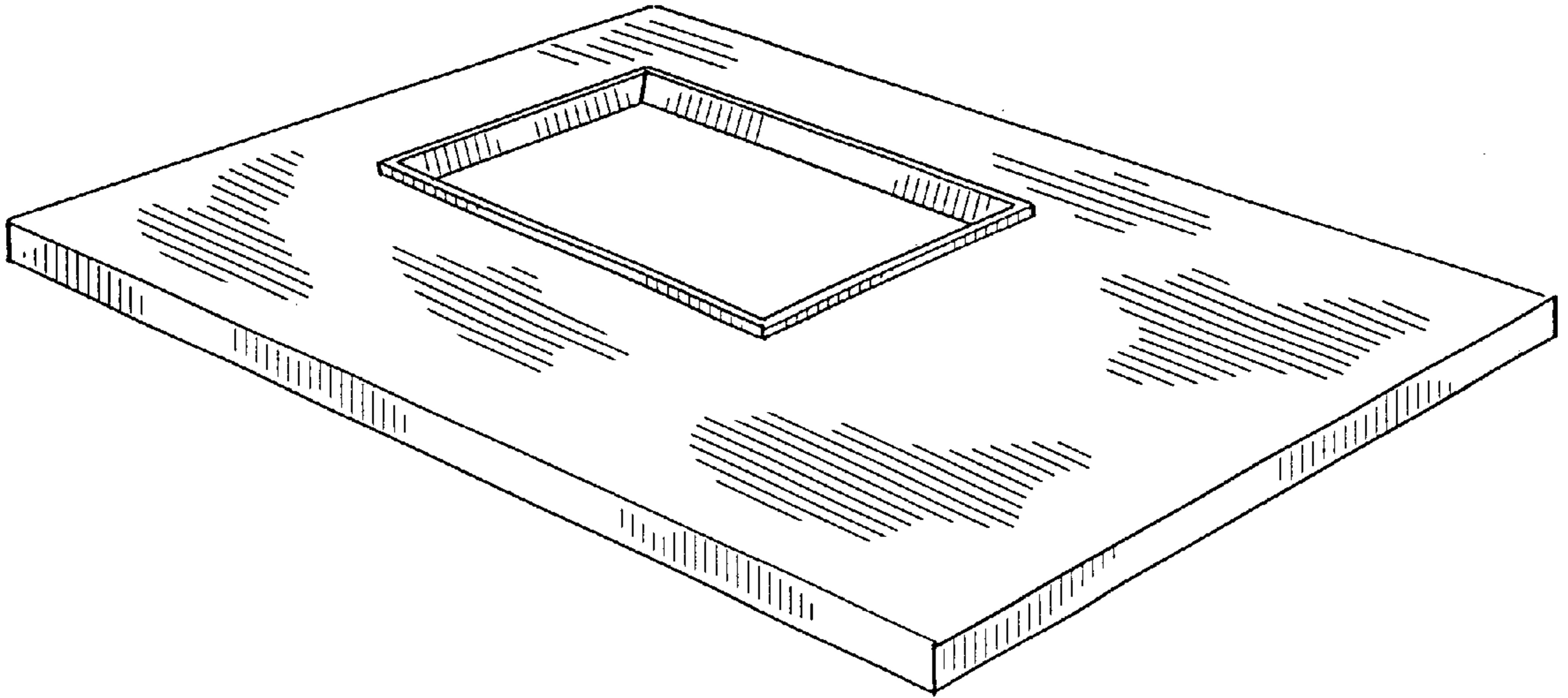


FIG. 18

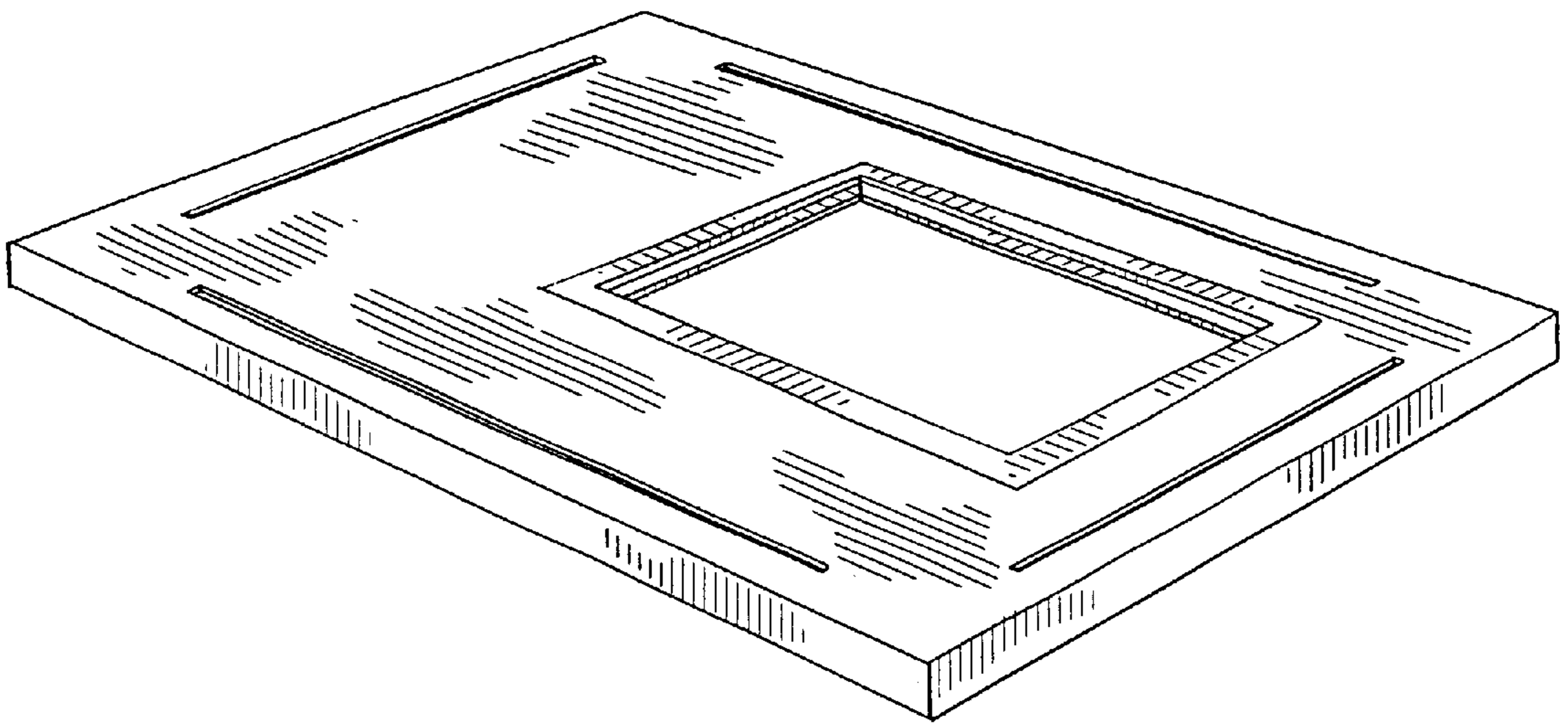


FIG. 21

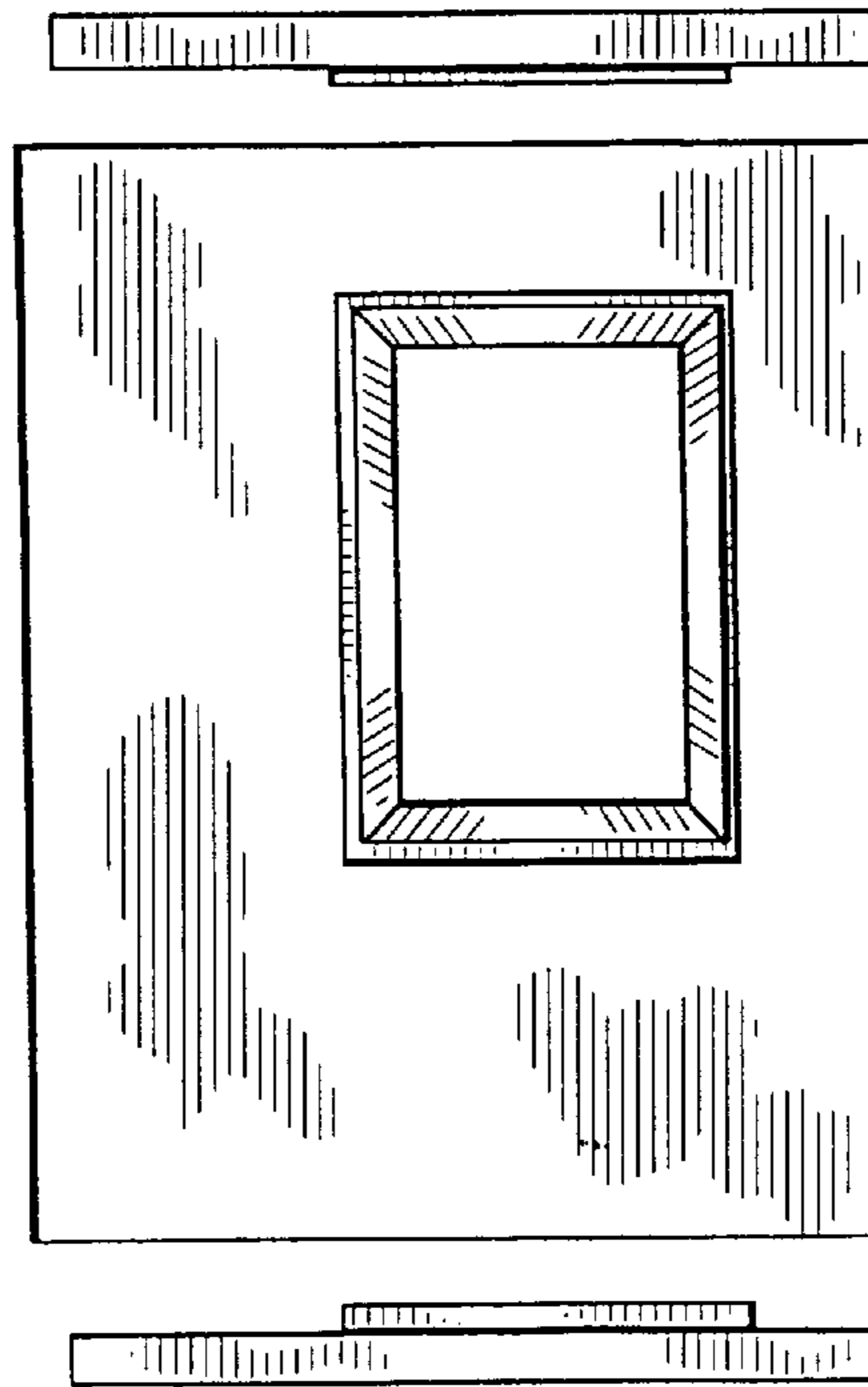


FIG. 19

FIG. 22

FIG. 23

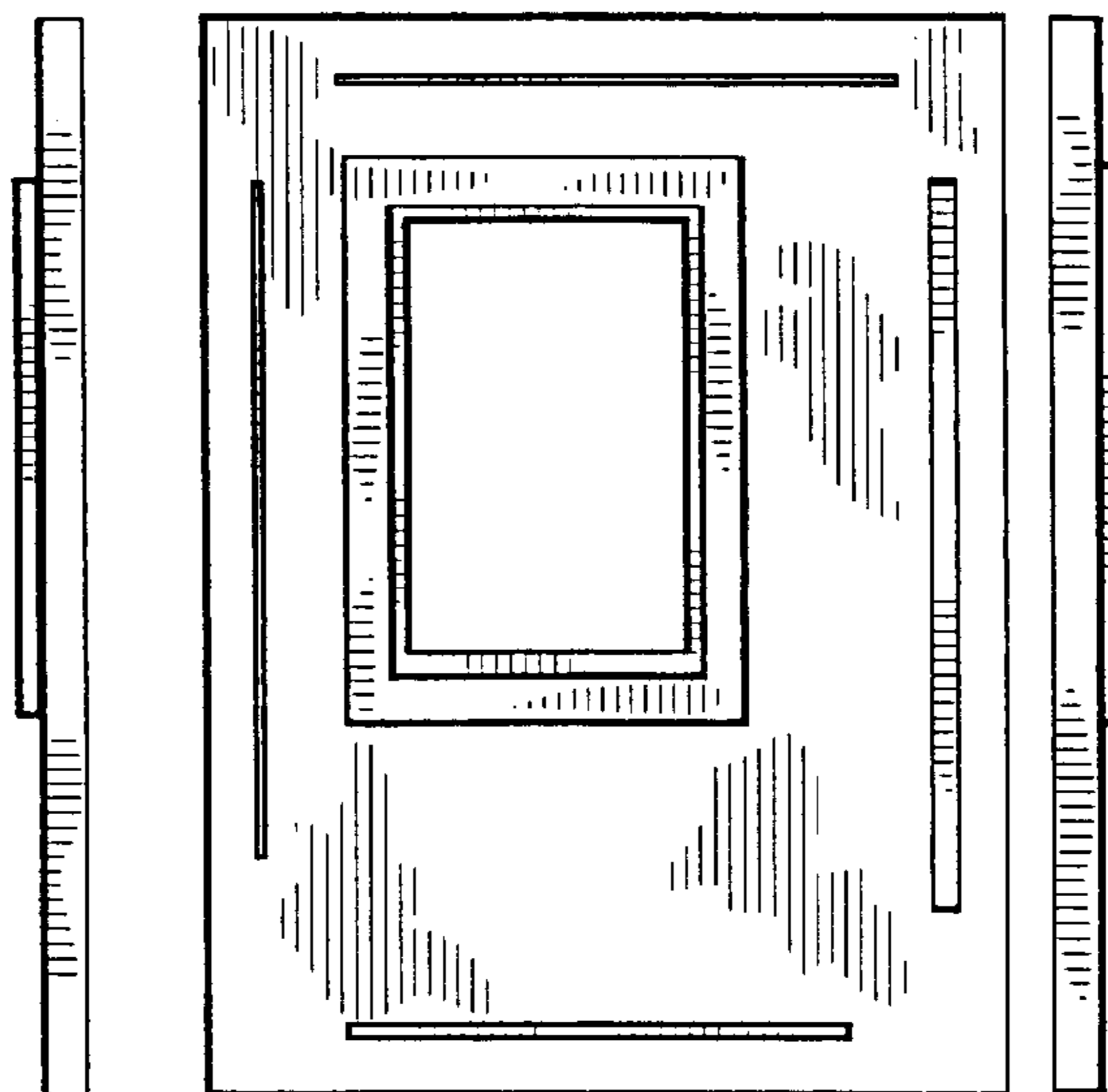


FIG. 24

FIG. 20

FIG. 25

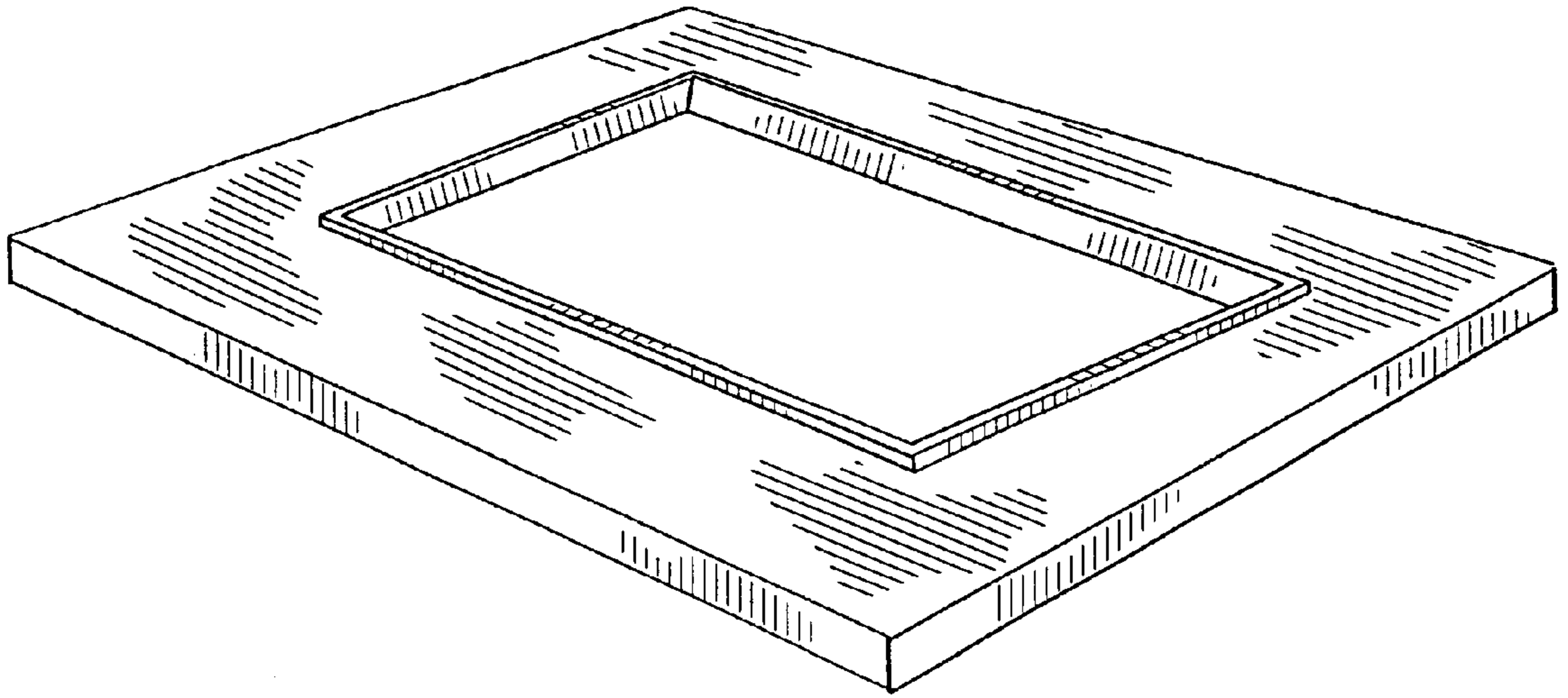


FIG. 26

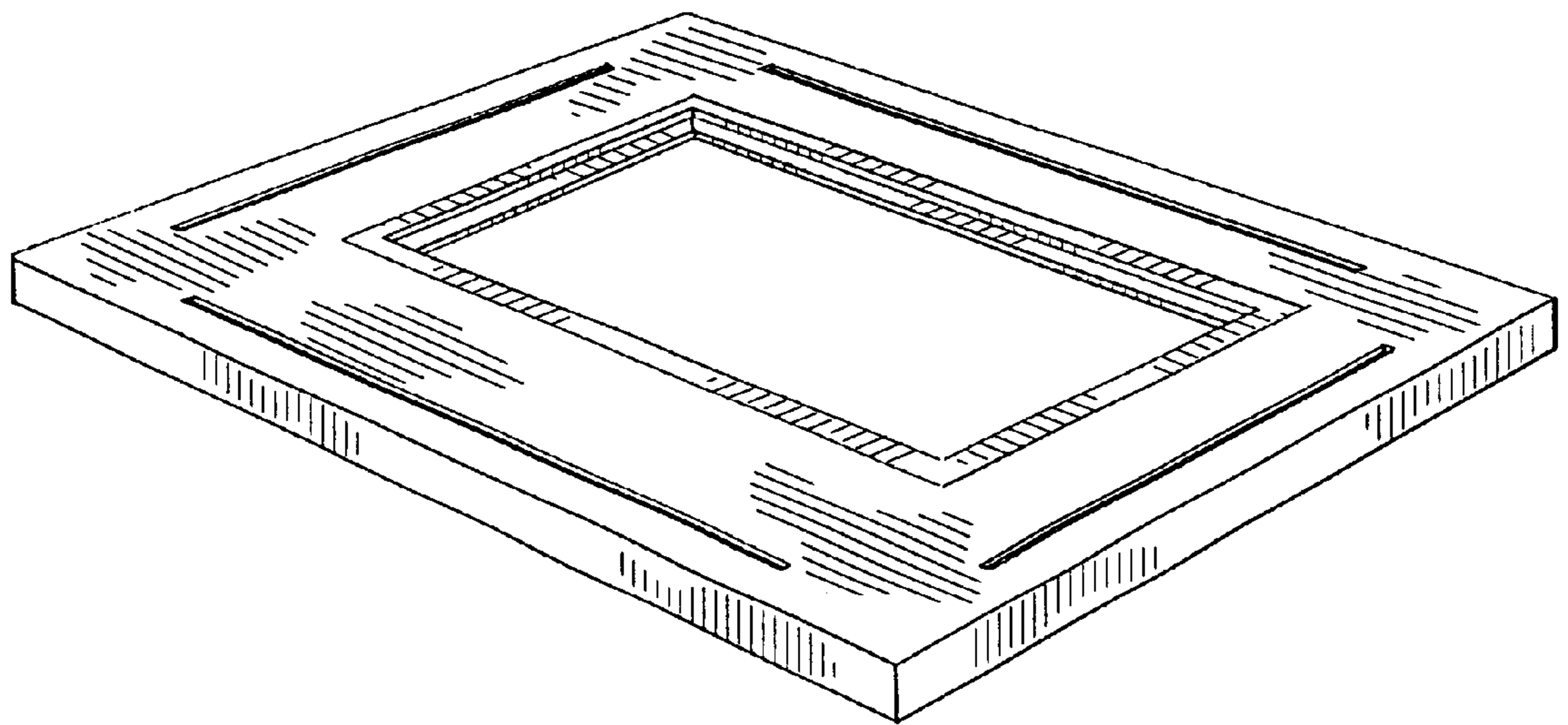


FIG. 29

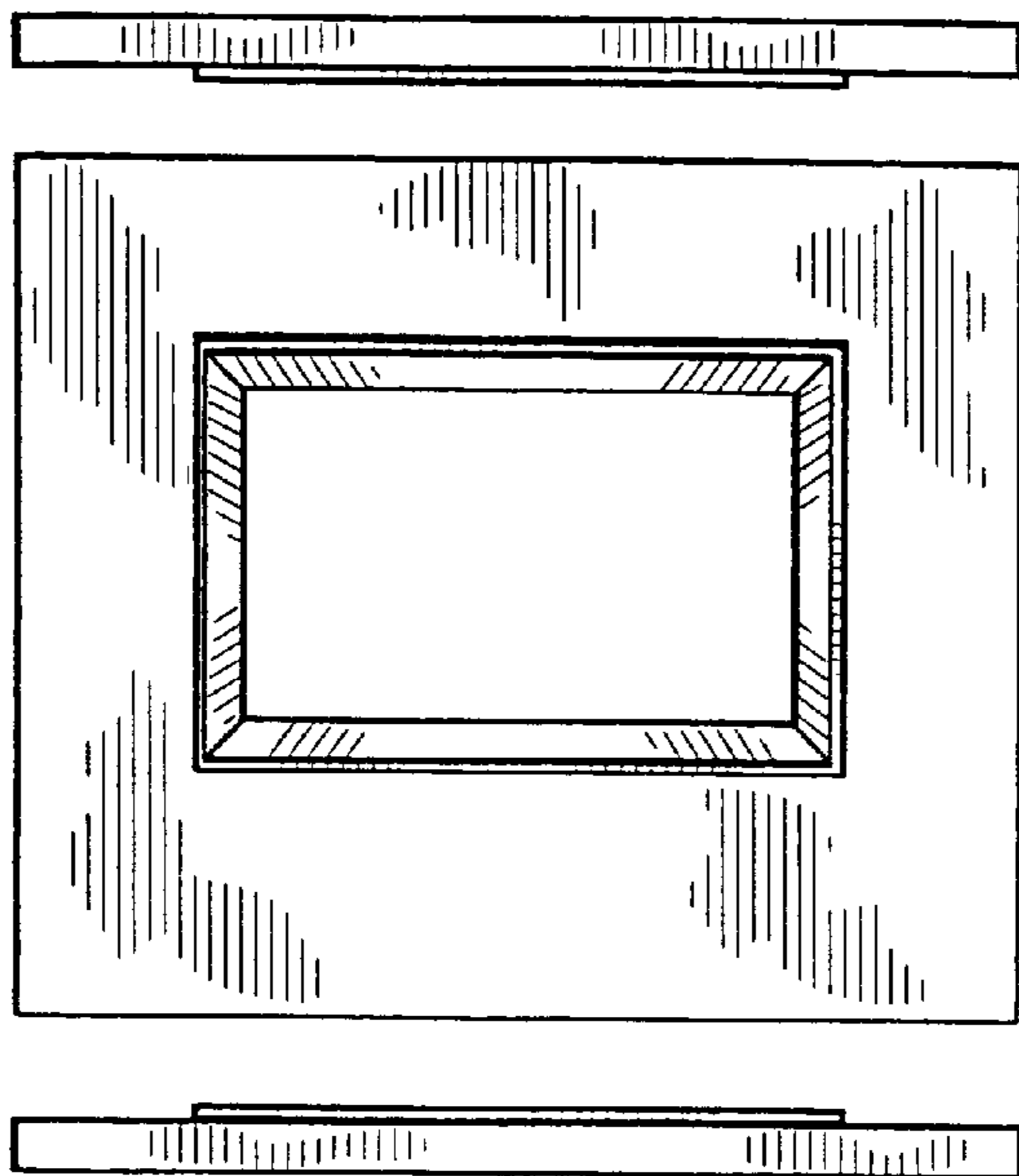


FIG. 27

FIG. 30

FIG. 31

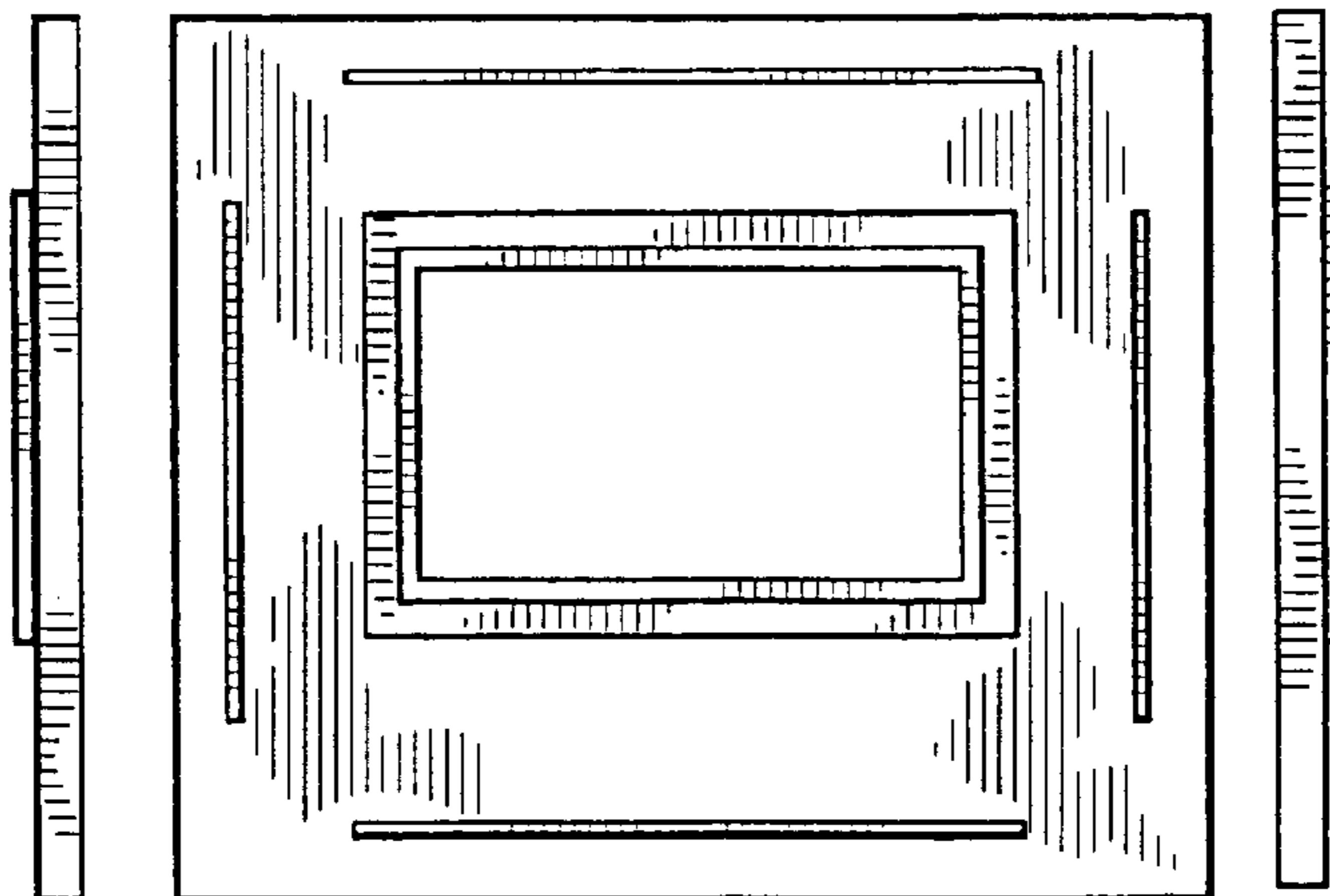


FIG. 32

FIG. 28