



US00D481543S

(12) **United States Design Patent**
Chen

(10) **Patent No.:** **US D481,543 S**

(45) **Date of Patent:** **** Nov. 4, 2003**

(54) **HANGER FOR WRENCHES**

(76) **Inventor:** **Terence Chen**, No. 325, Yung Ching Rd., Tung Shan Hsiang, Lo Tung Town, Yi Lan Hsien (TW)

(**) **Term:** **14 Years**

(21) **Appl. No.:** **29/171,846**

(22) **Filed:** **Dec. 2, 2002**

(30) **Foreign Application Priority Data**

Nov. 7, 2002 (TW) 91306473

(51) **LOC (7) Cl.** **03-01**

(52) **U.S. Cl.** **D3/315; D3/905**

(58) **Field of Search** D3/315, 905; D8/71; 211/70.6, 69, 89; 206/349, 372, 373, 376

(56) **References Cited**

U.S. PATENT DOCUMENTS

D355,826 S * 2/1995 Chow D3/315
D365,681 S * 1/1996 Chow D3/315
5,730,303 A * 3/1998 Chow 211/70.6
5,788,303 A * 8/1998 Chia-Hsiang 294/143
D412,245 S * 7/1999 Kopala, Jr. D3/315

D412,617 S * 8/1999 Kopala, Jr. D3/315

5,941,386 A * 8/1999 Hu et al. 206/376

D415,349 S * 10/1999 Chen D3/315

5,967,340 A * 10/1999 Kao 211/70.6

D427,435 S * 7/2000 Gibson et al. D3/282

* cited by examiner

Primary Examiner—Philip S. Hyder

(74) *Attorney, Agent, or Firm*—Alan D. Kamrath; Rider Bennett LLP

(57) **CLAIM**

The ornamental design for a hanger for wrenches, as shown and described.

DESCRIPTION

FIG. 1 is a perspective view of a hanger for wrenches showing my new design;

FIG. 2 is a front elevational view thereof;

FIG. 3 is a rear elevational view thereof;

FIG. 4 is a left elevational view thereof; the opposite side being a mirror image of the shown.

FIG. 5 is a top plan view thereof; and,

FIG. 6 is bottom plan view thereof.

1 Claim, 2 Drawing Sheets

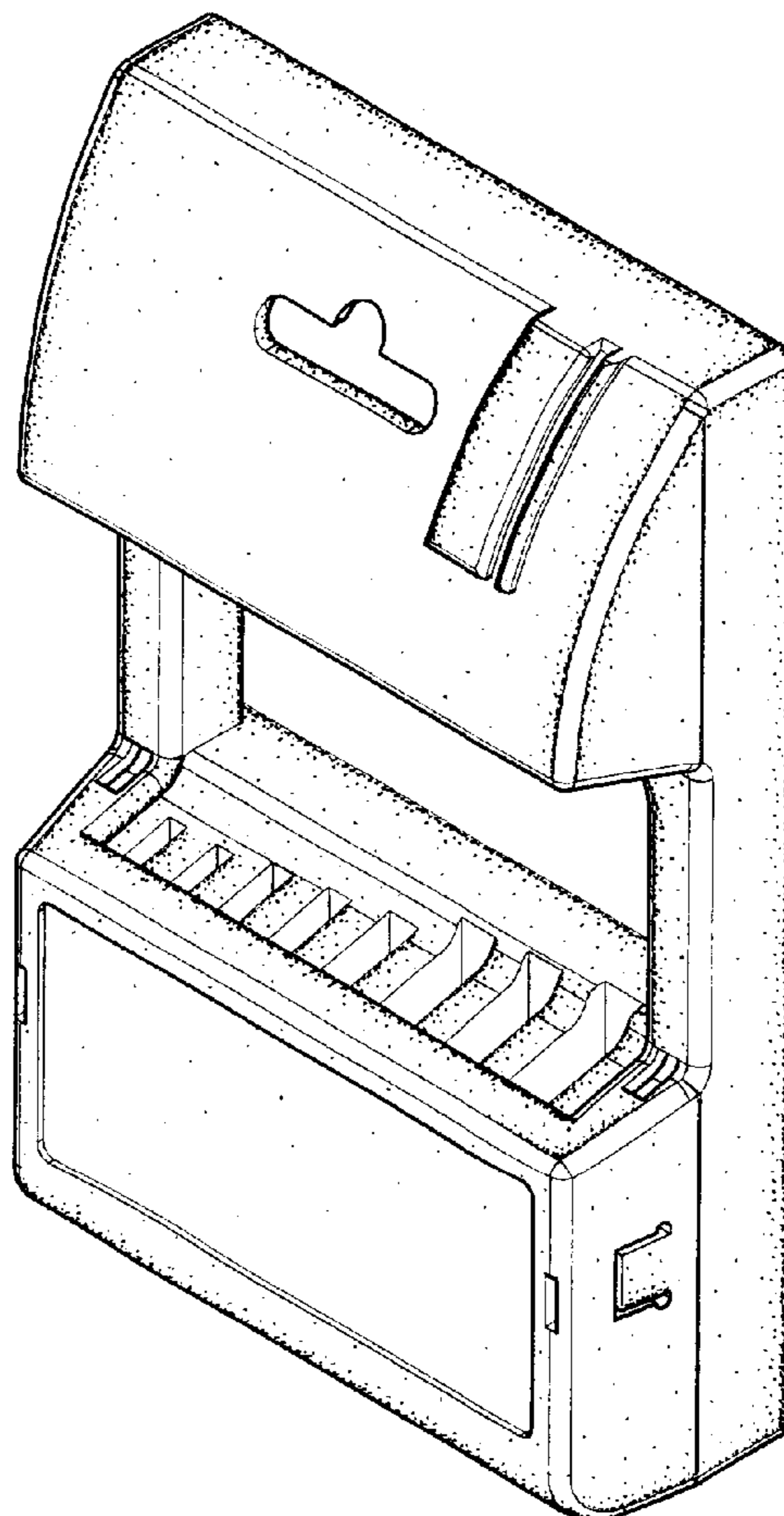


Fig. 1

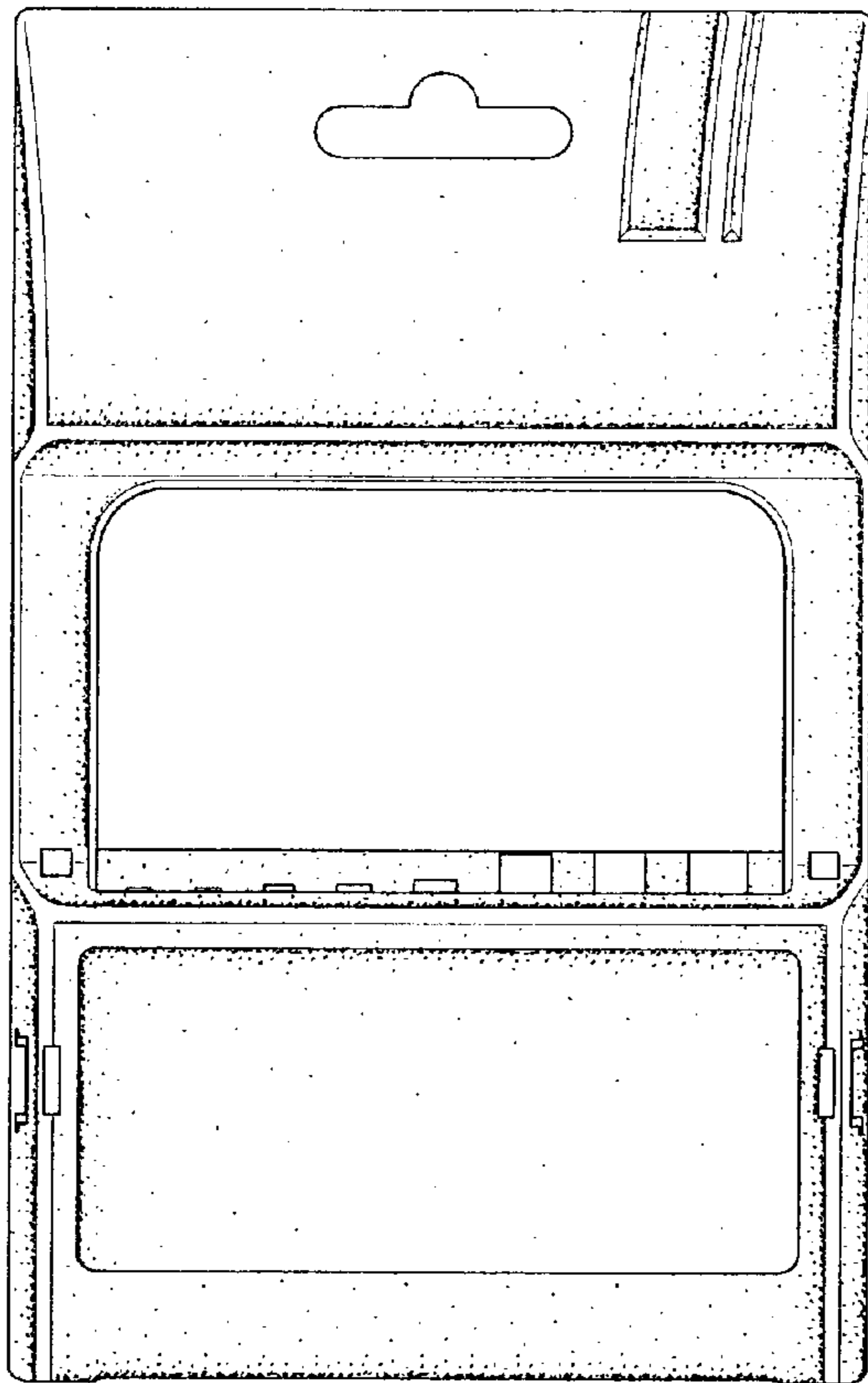
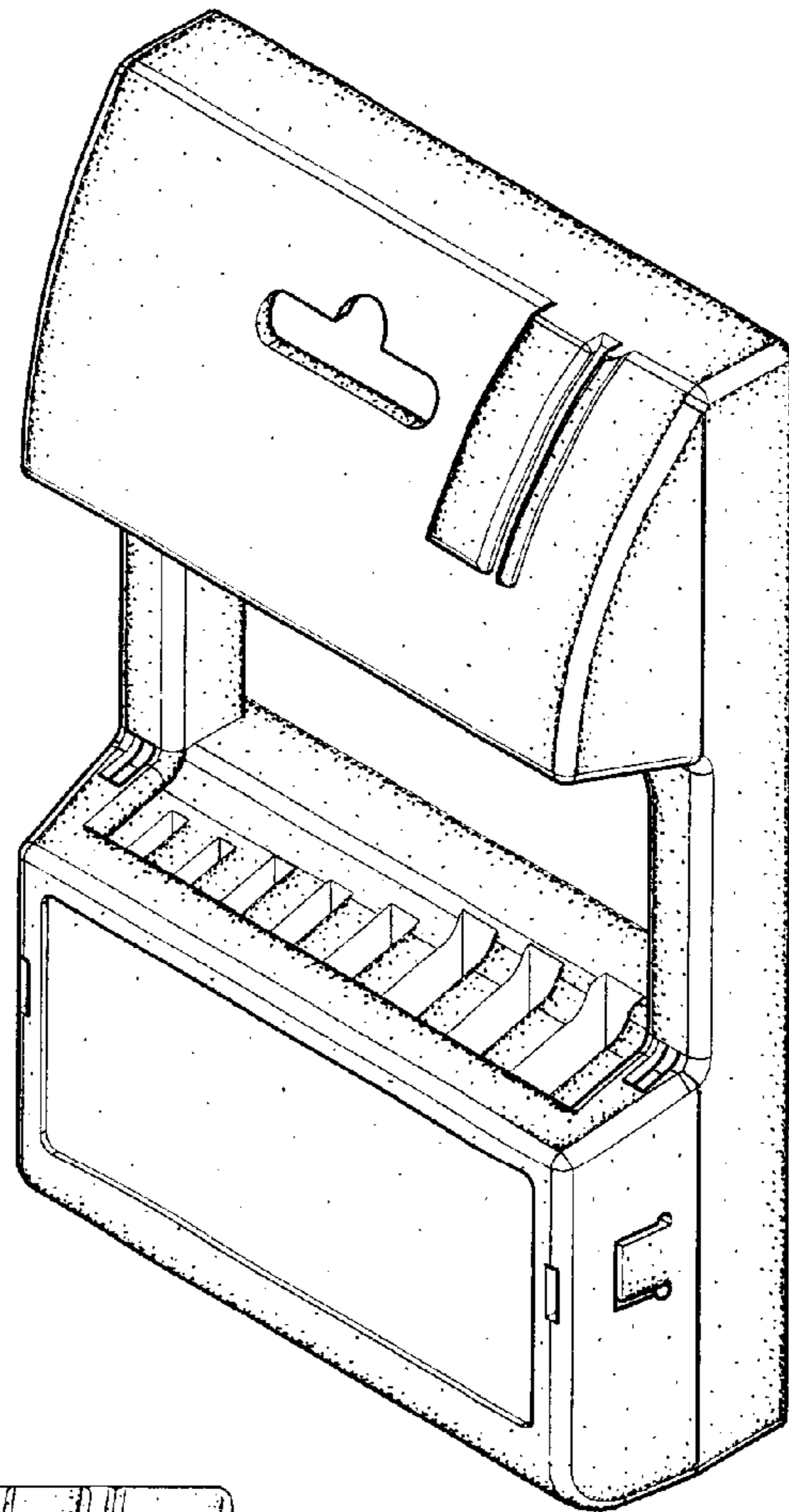


Fig. 2

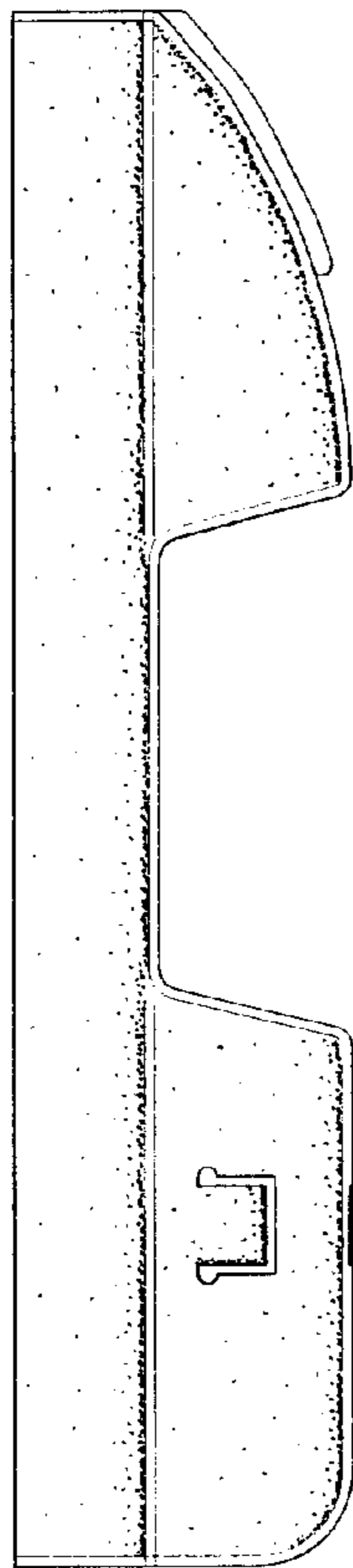


Fig. 4

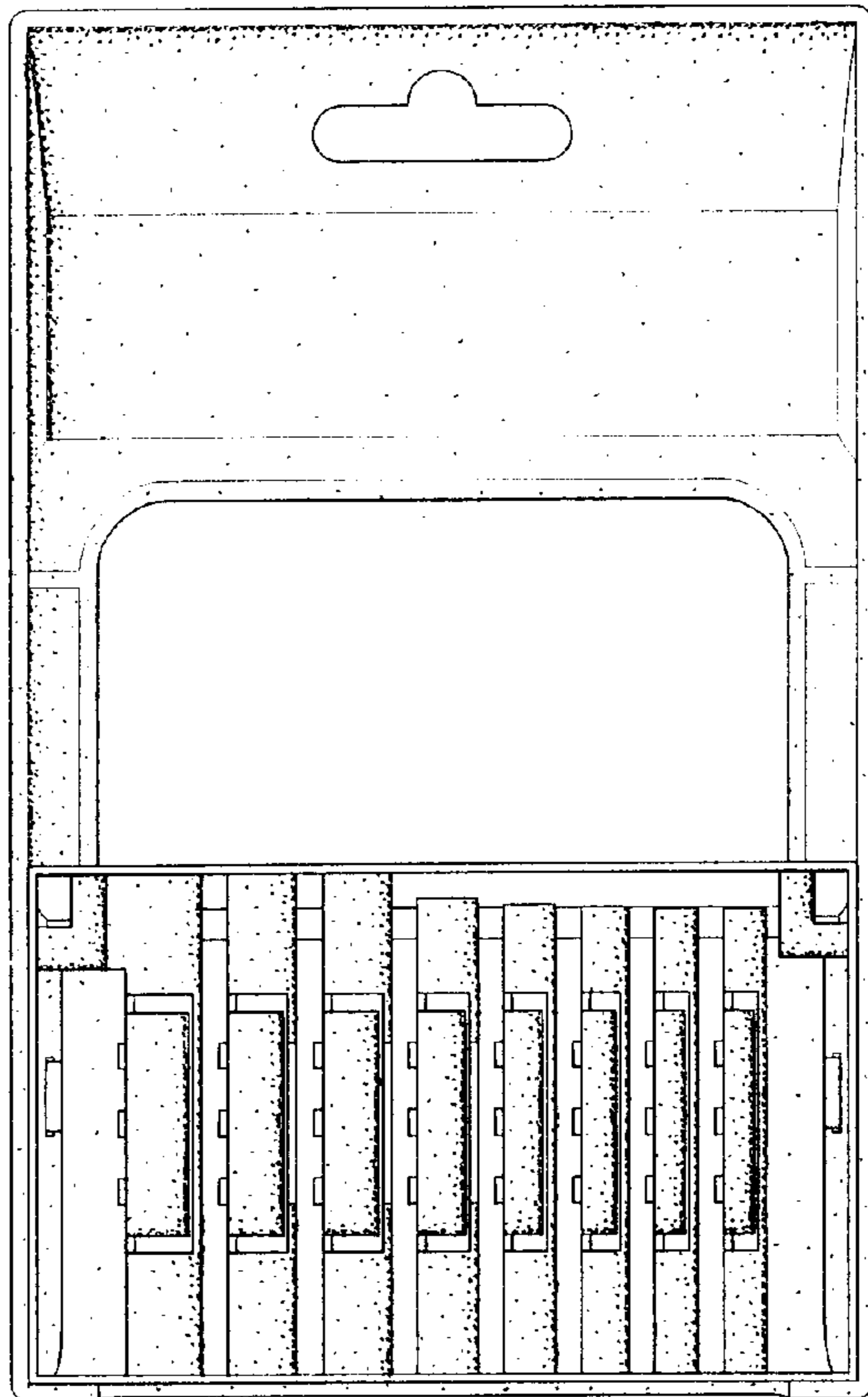


Fig. 3

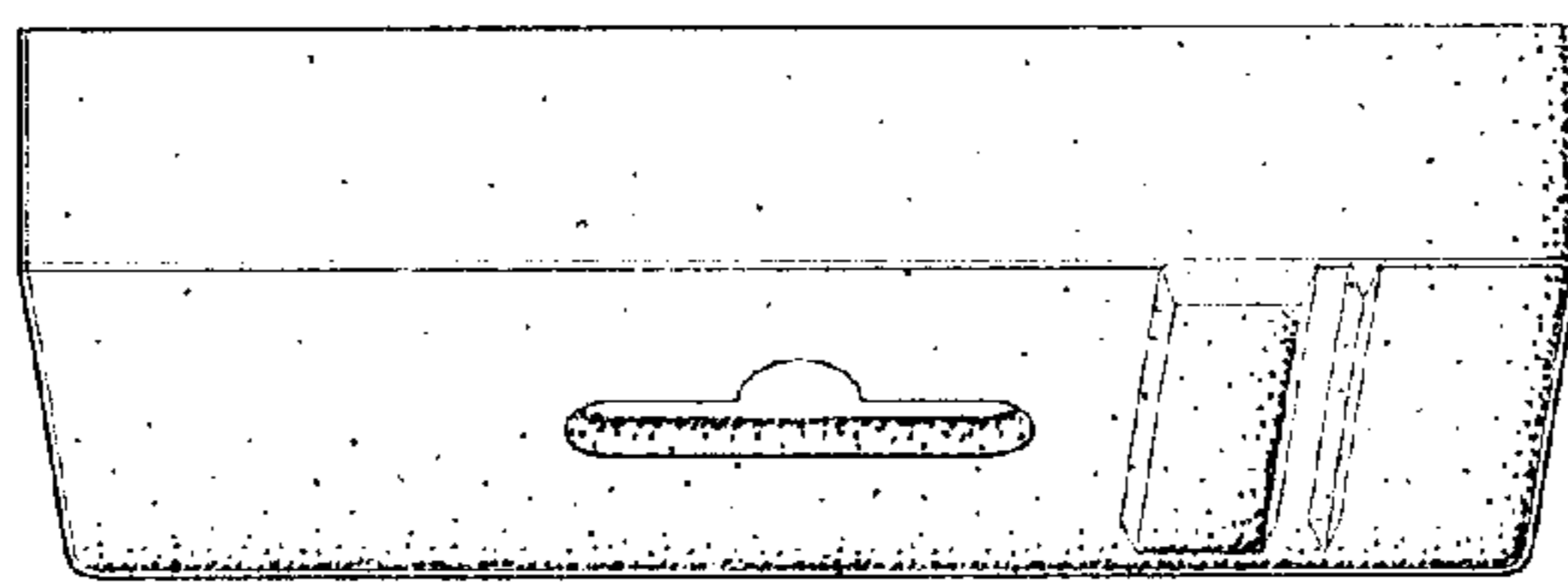


Fig. 5



Fig. 6