



US00D481541S

(12) **United States Design Patent**
Domotor

(10) **Patent No.:** **US D481,541 S**

(45) **Date of Patent:** **** Nov. 4, 2003**

(54) **SHOULDER BAG WITH TRANSPARENT
POCKET FOR PERSONAL DIGITAL
ASSISTANT**

Primary Examiner—Philip S. Hyder
(74) *Attorney, Agent, or Firm*—Cesari and McKenna, LLP;
William A. Loginov

(75) **Inventor:** **Agnes Csilla Domotor**, Jamaica Plain,
MA (US)

(57) **CLAIM**

The ornamental design for a shoulder bag with transparent
pocket for personal digital assistant, substantially as shown.

(73) **Assignee:** **The Gem Group, Inc.**, Lawrence, MA
(US)

DESCRIPTION

(**) **Term:** **14 Years**

This application is related to commonly-owned U.S. Design
patent application Ser. No. 29/162,943; entitled Bag-Mount-
able Pocket For Personal Digital Assistant by Domotor; U.S.
patent application Ser. No. 10/199,518, entitled Pocket For
Personal Digital Assistant With Transparent Access Window
by Isaacson, et al.; and U.S. Design patent application Ser.
No. 29/164,181, 29/164,180 and 29/164,230, each entitled
Shoulder Bag With Transparent Pocket For Personal Digital
Assistant by Domotor.

(21) **Appl. No.:** **29/164,236**

(22) **Filed:** **Jul. 19, 2002**

FIG. 1 is an isometric view from the front of a shoulder bag
with transparent pocket for personal digital assistant incor-
porating the design;

(51) **LOC (7) Cl.** **03-01**

(52) **U.S. Cl.** **D3/290; D3/276; D3/284**

(58) **Field of Search** D3/273, 276, 283,
D3/285, 286, 287, 288, 289; 190/100, 109,
111, 112, 113, 900, 901

FIG. 2 is a front plan view thereof;

FIG. 3 is a back plan view thereof;

FIG. 4 is a left-side view thereof;

FIG. 5 is a right-side view thereof;

FIG. 6 is a top view thereof; and,

FIG. 7 is a bottom view thereof.

(56) **References Cited**

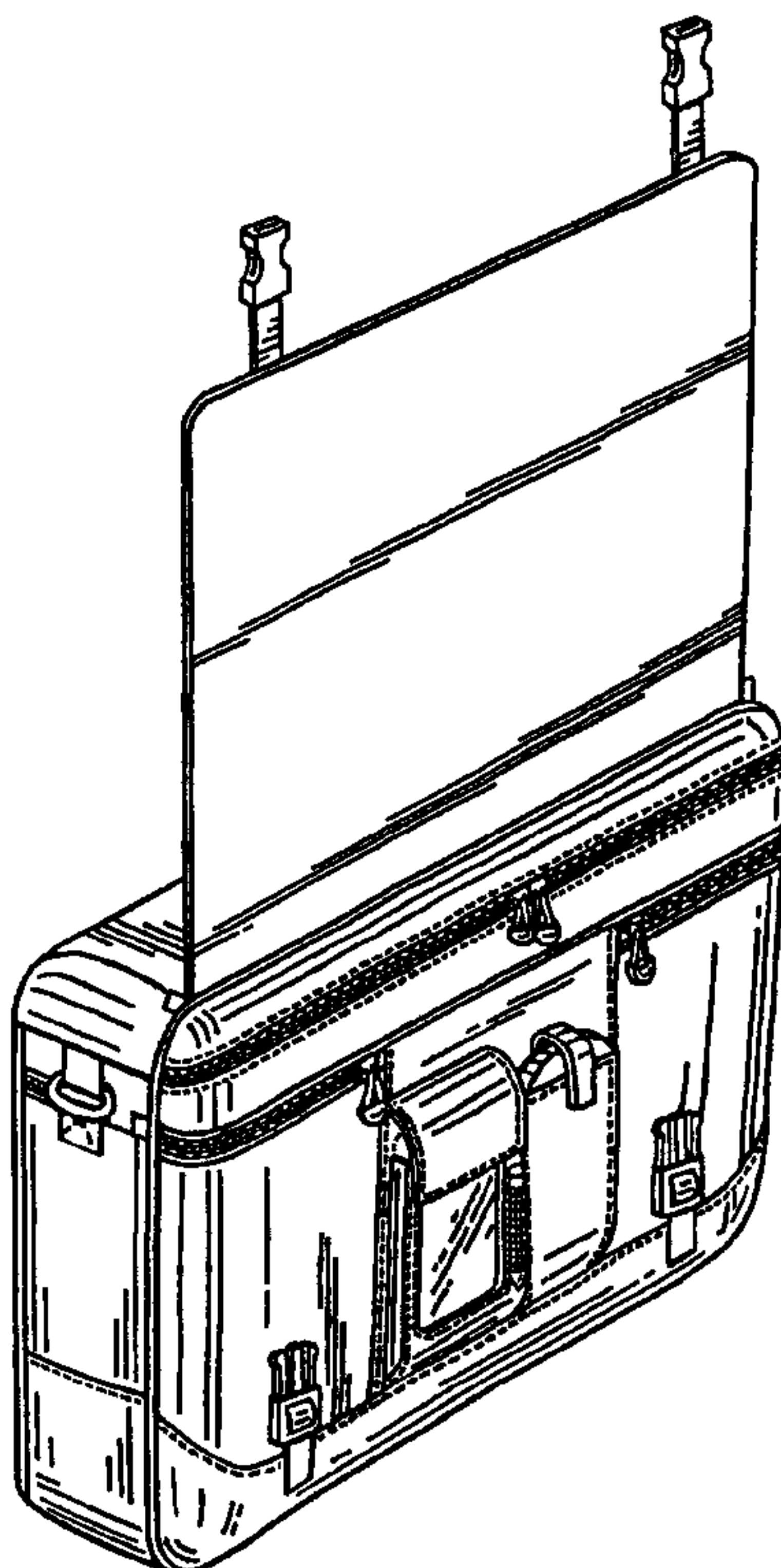
U.S. PATENT DOCUMENTS

D280,780 S	*	10/1985	Thomas	D3/285
D284,623 S	*	7/1986	Gerch	D3/274
D346,694 S	*	5/1994	Cyr et al.	D3/287
D360,978 S	*	8/1995	Willard et al.	D3/301
D380,612 S	*	7/1997	Kelley et al.	D3/289
D399,056 S	*	10/1998	Tawil	D3/283
D417,782 S	*	12/1999	Tawil	D3/283
D441,533 S	*	5/2001	Tawil	D3/283
D464,197 S	*	10/2002	Kegels	D3/289

The broken line showing the personal digital assistant in
FIG. 1, FIG. 2 and FIG. 4 is for illustrative purposes only
and forms no part of the claimed design. The window
covering the digital assistant is transparent.

* cited by examiner

1 Claim, 3 Drawing Sheets



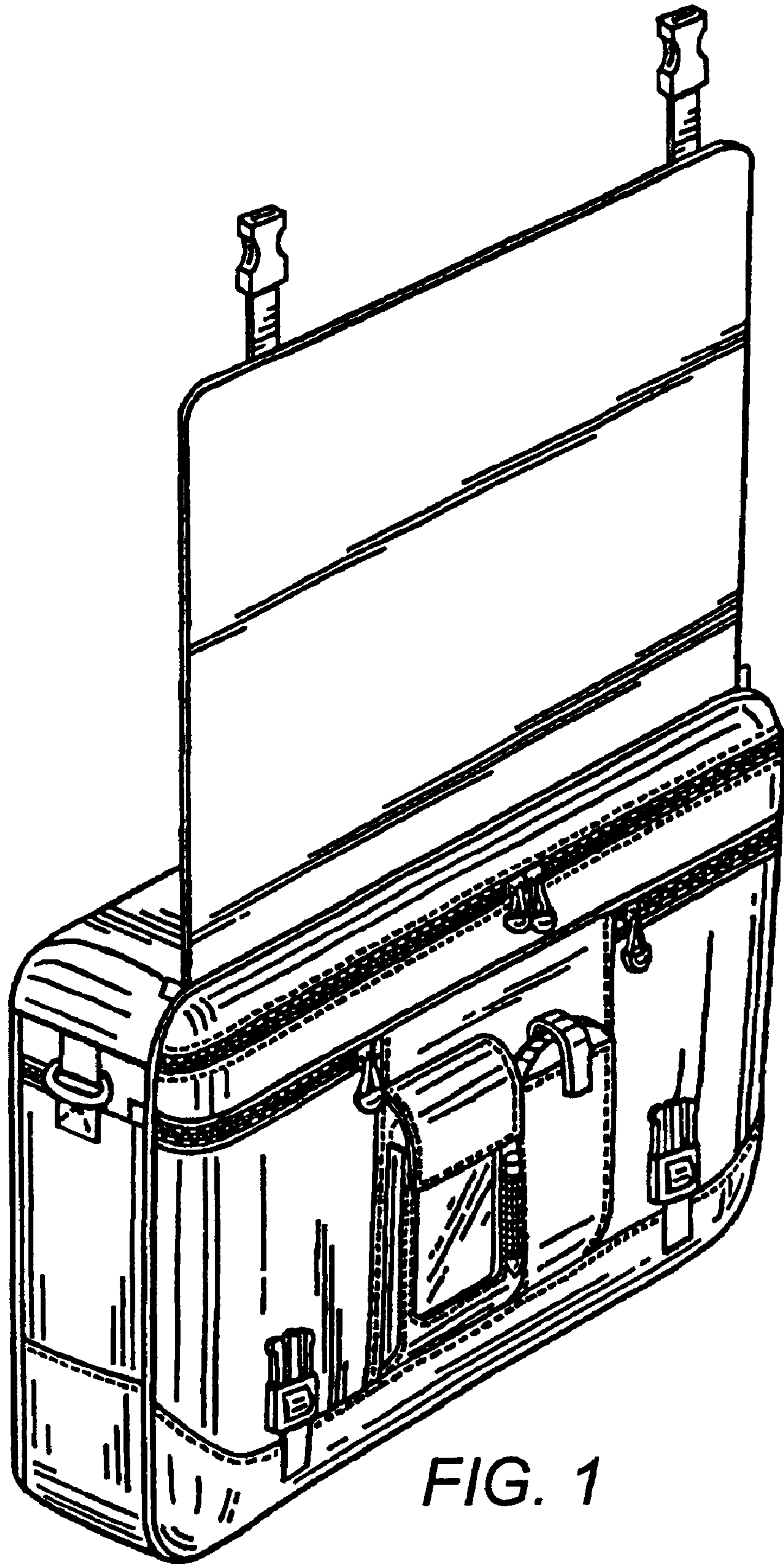


FIG. 1

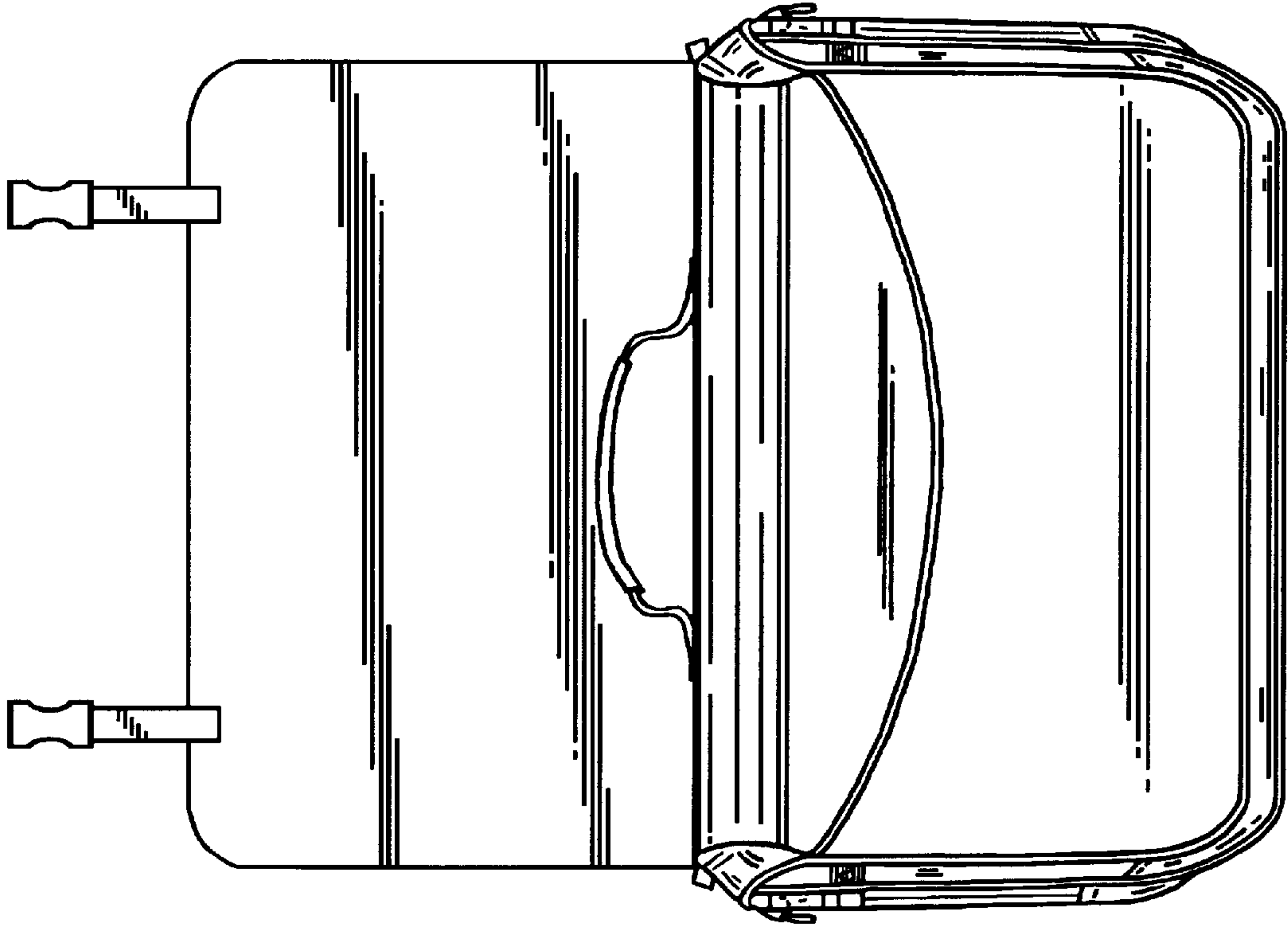


FIG. 3

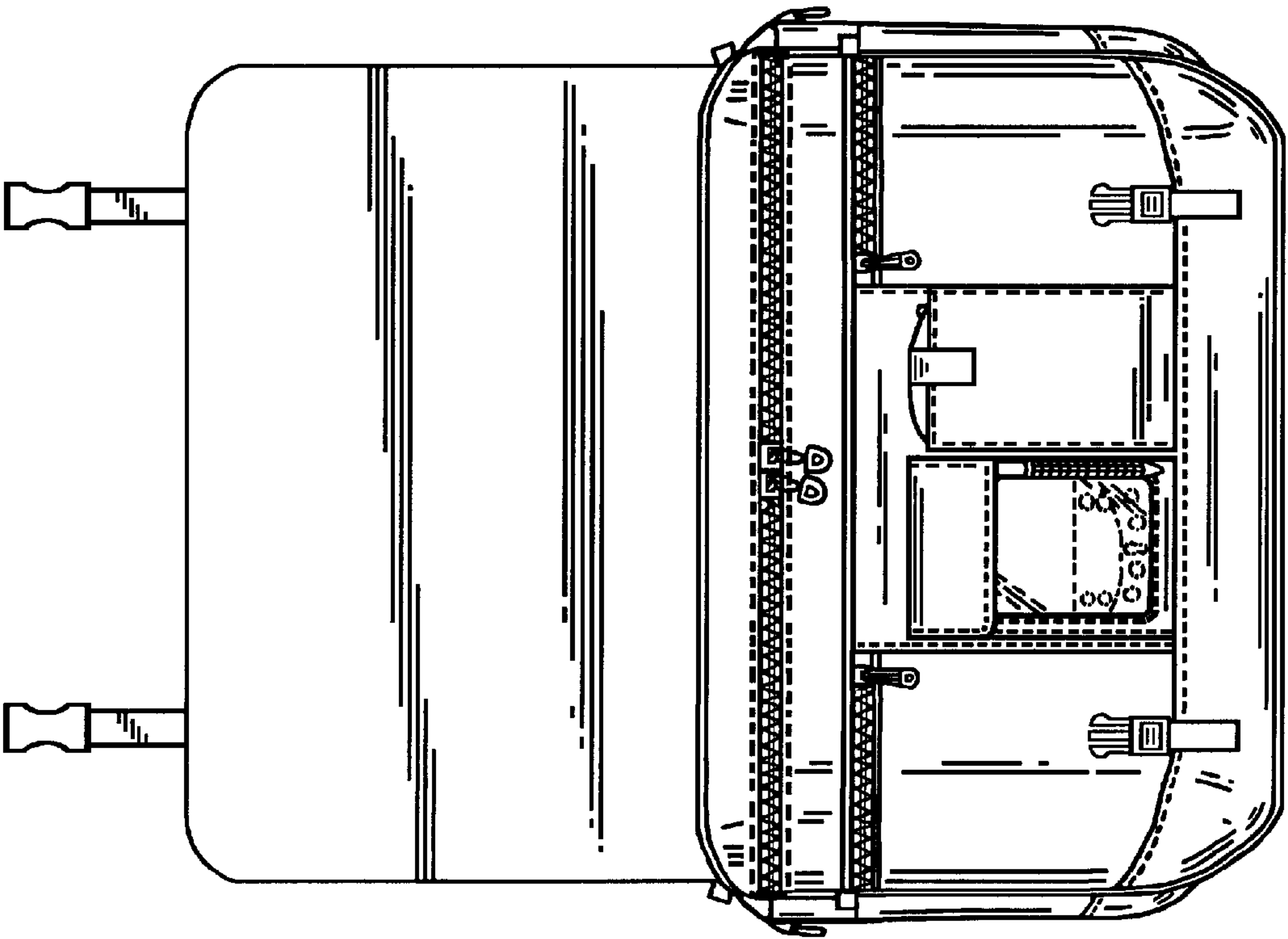


FIG. 2

FIG. 4

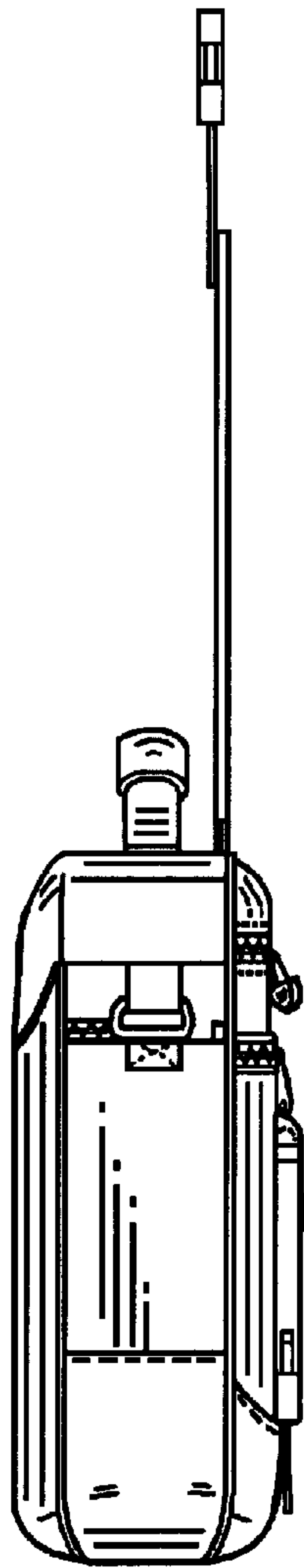


FIG. 5

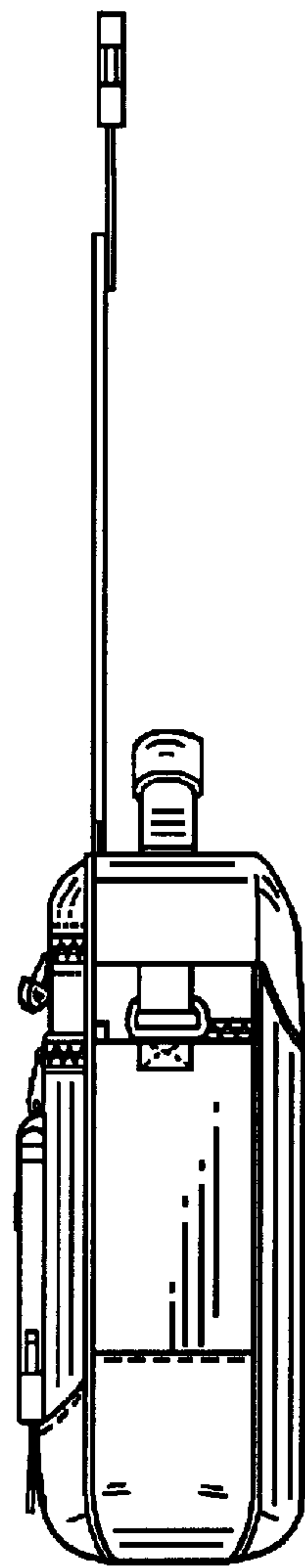


FIG. 6

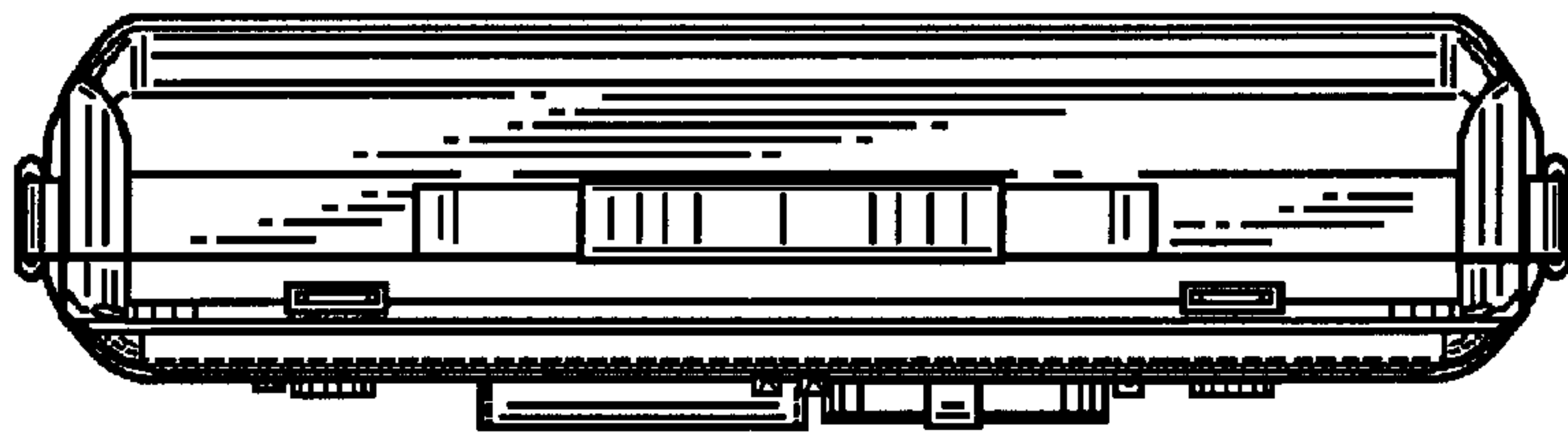


FIG. 7

