



US00D481534S

(12) **United States Design Patent**  
**Andrew**

(10) **Patent No.:** **US D481,534 S**

(45) **Date of Patent:** **\*\* Nov. 4, 2003**

(54) **REMOVABLE HIP POCKET**

(76) Inventor: **Anna M. Andrew**, 935 E. Branche,  
Rayne, LA (US) 70578

(\*\*) Term: **14 Years**

(21) Appl. No.: **29/177,302**

(22) Filed: **Mar. 7, 2003**

(51) **LOC (7) Cl.** ..... **03-01**

(52) **U.S. Cl.** ..... **D3/226**

(58) **Field of Search** ..... D3/226, 224, 215,  
D3/228, 201; 224/219, 222, 240, 242, 901,  
904

(56) **References Cited**

**U.S. PATENT DOCUMENTS**

D288,743 S	*	3/1987	Taylor	.....	D3/226
D340,806 S	*	11/1993	Gonzalez	.....	D3/226
5,445,303 A	*	8/1995	Cawile, Jr.	.....	224/222
D367,356 S	*	2/1996	Brown, Jr.	.....	D3/226

D397,356 S \* 8/1998 Wen et al. .... D18/20

D399,054 S \* 10/1998 Garrison ..... D3/226

D473,048 S \* 4/2003 DiLorenzo ..... D3/226

\* cited by examiner

*Primary Examiner*—Catherine R. Oliver

(74) *Attorney, Agent, or Firm*—Robert N. Montgomery

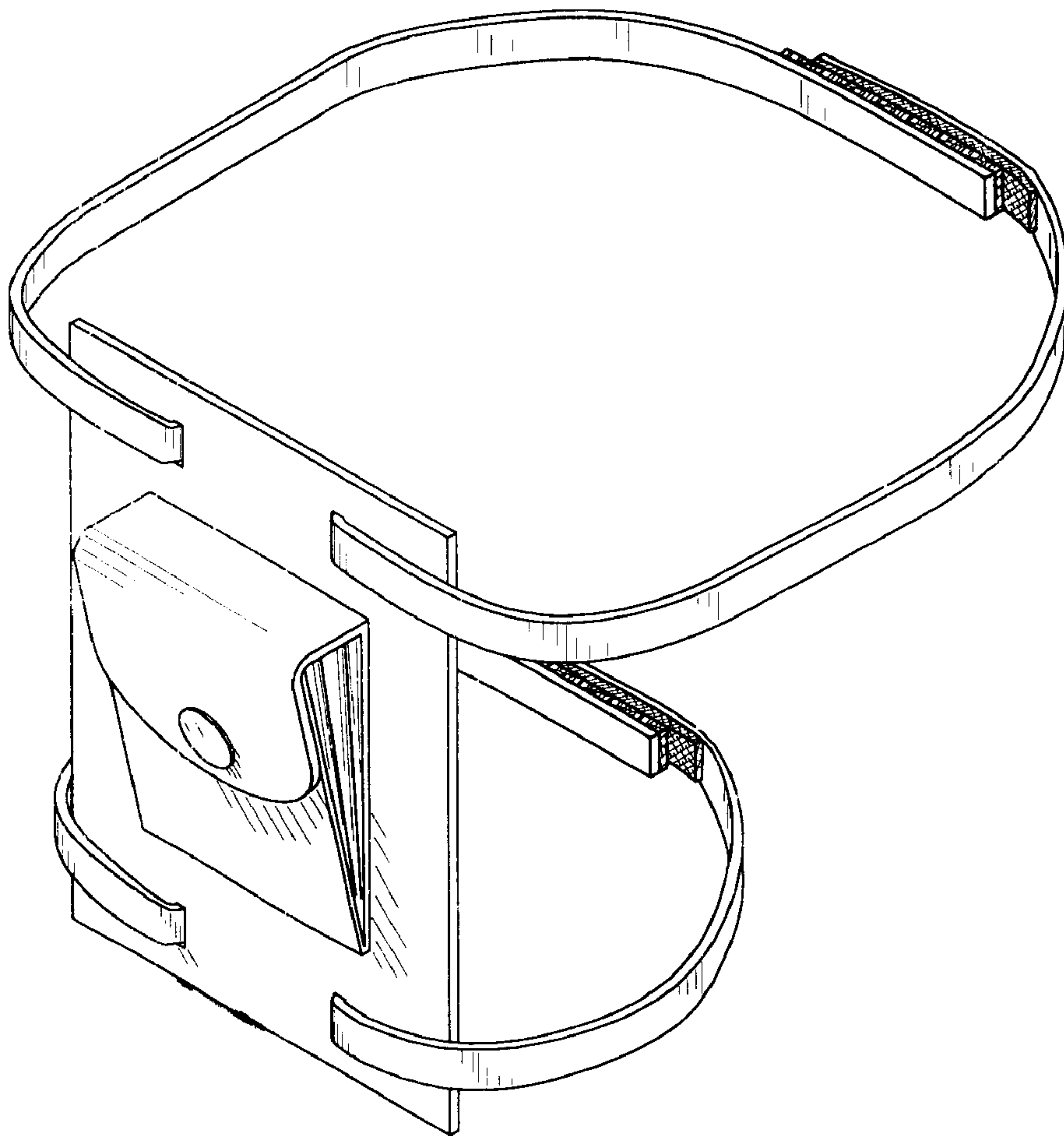
(57) **CLAIM**

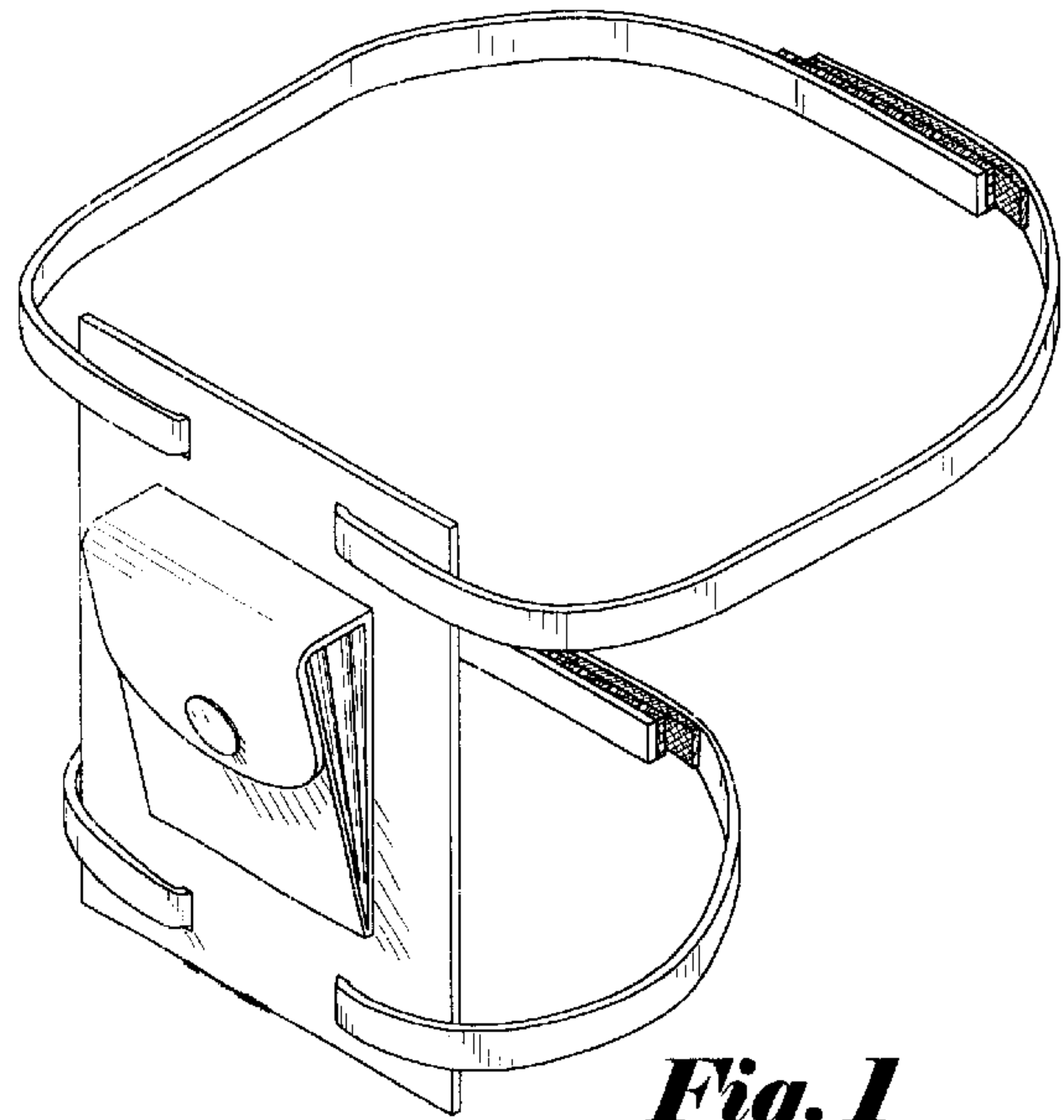
The ornamental design for a removable hip pocket, as shown and described.

**DESCRIPTION**

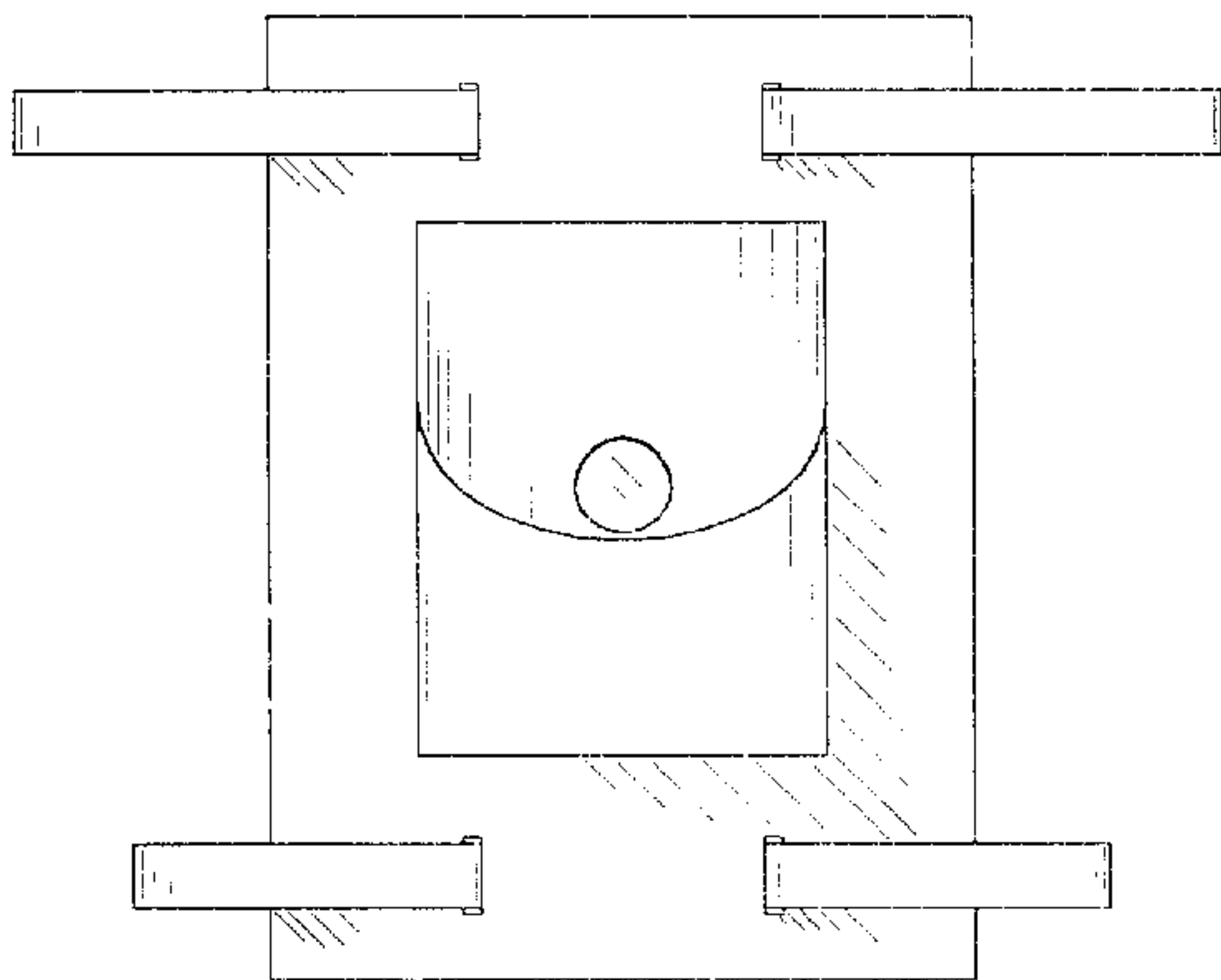
FIG. 1 is a front perspective view of the removable hip pocket showing my new design with a waist and leg strap; FIG. 2 is a front elevation view thereof; FIG. 3 is a side elevation view thereof; FIG. 4 is a top view thereof; and, FIG. 5 is a rear elevation view thereof showing pocket stitching.

**1 Claim, 1 Drawing Sheet**

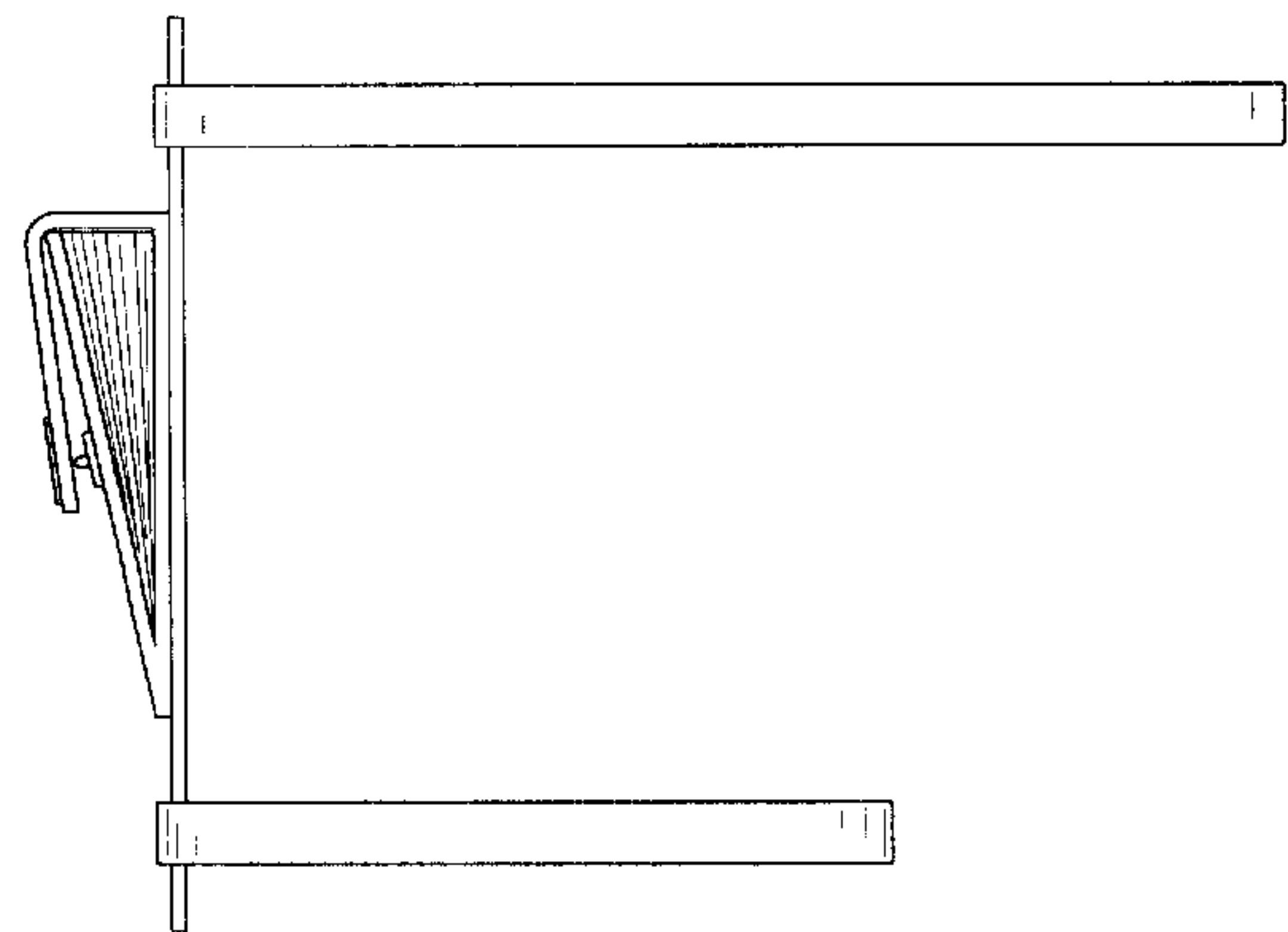




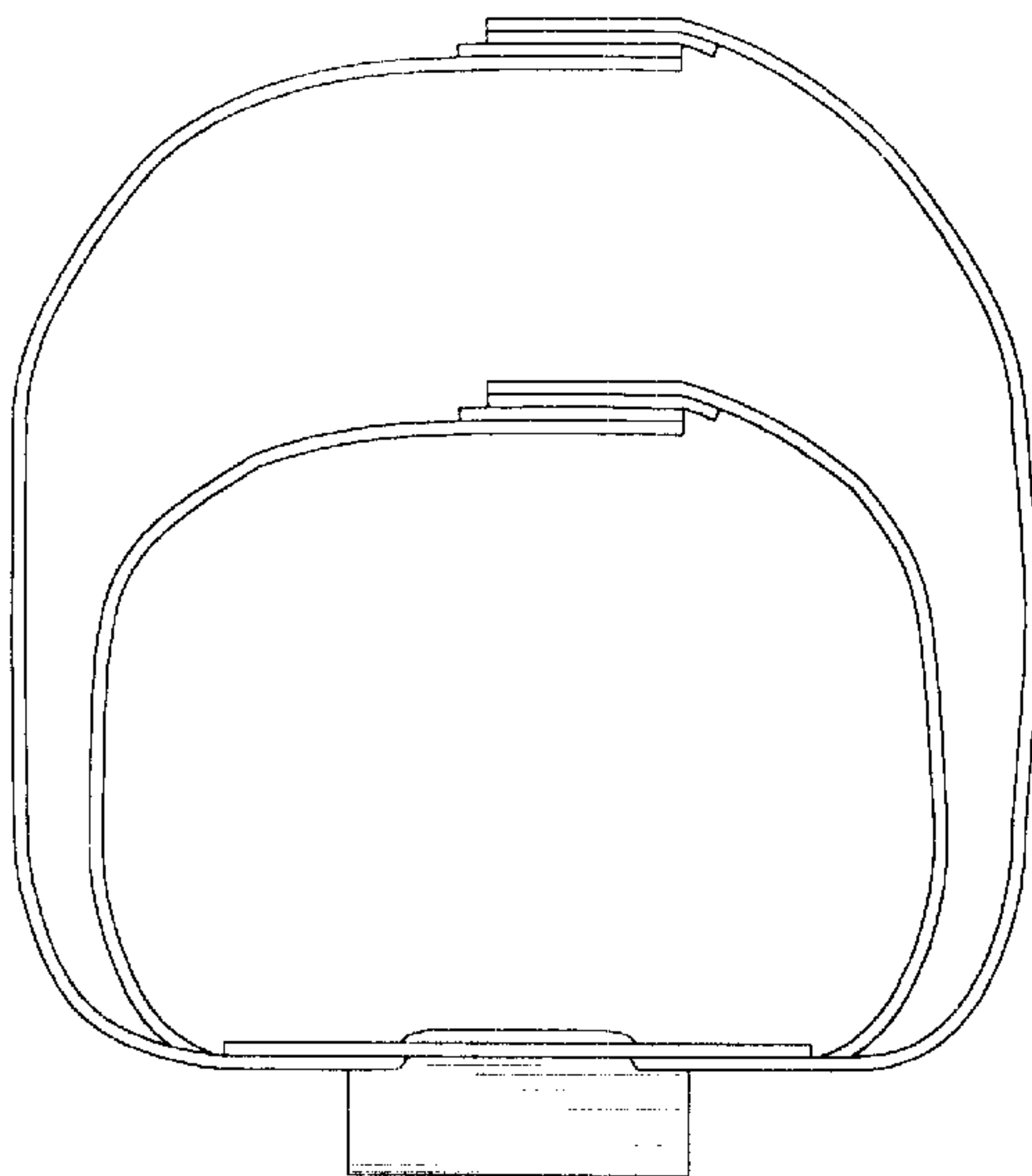
**Fig. 1**



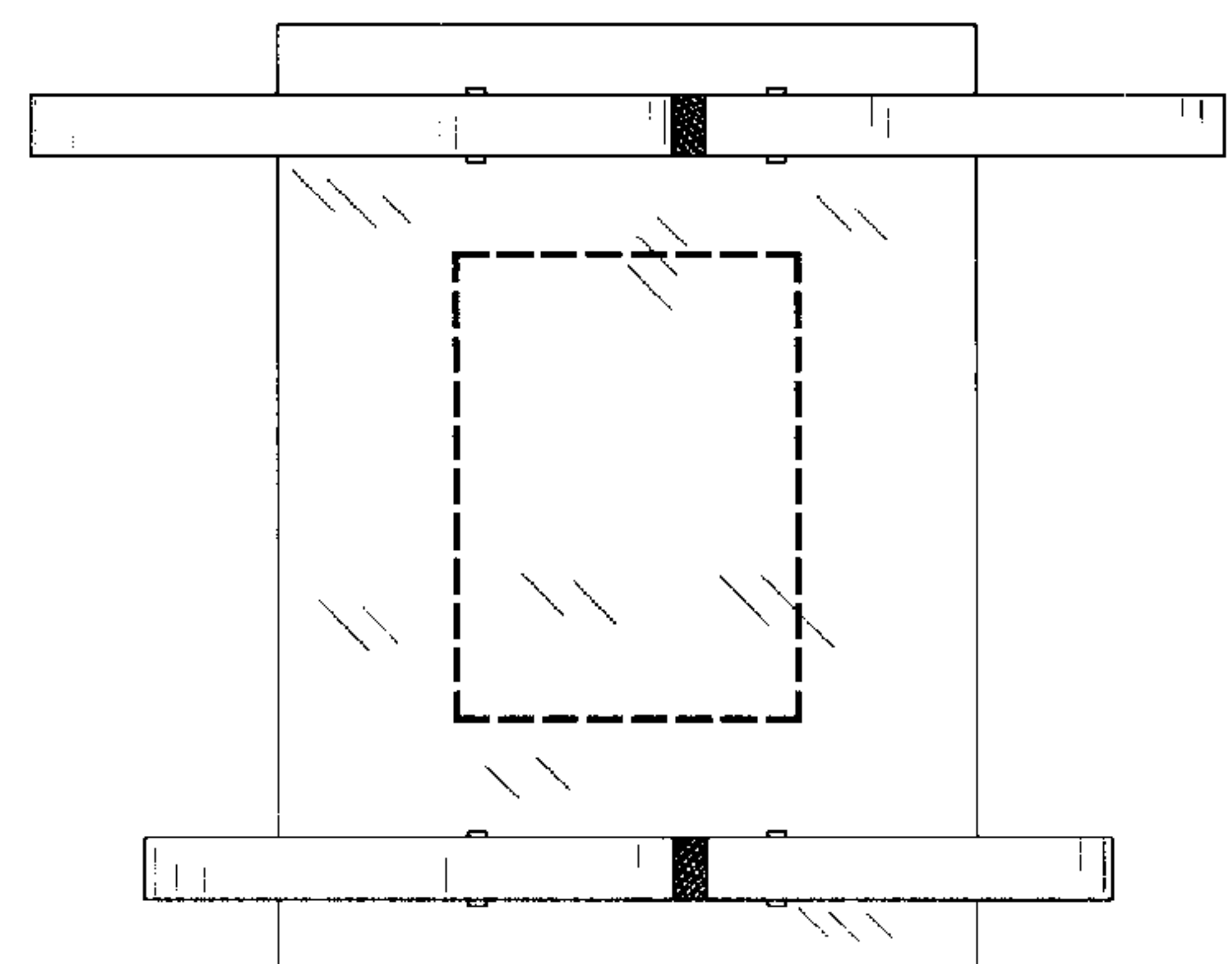
**Fig. 2**



**Fig. 3**



**Fig. 4**



**Fig. 5**