



US00D481533S

(12) **United States Design Patent**  
**McGillivray et al.**

(10) **Patent No.:** **US D481,533 S**

(45) **Date of Patent:** **\*\* Nov. 4, 2003**

(54) **PENCIL CASE**

D315,446 S 3/1991 Dietterich et al.

D338,496 S 8/1993 Tarozzi

5,248,030 A 9/1993 Tarozzi

(75) Inventors: **James A. McGillivray**, Stroudsburg, PA  
(US); **Burke E. Landis**, Easton, PA  
(US); **Vito Niosi**, Easton, PA (US)

\* cited by examiner

(73) Assignee: **Binney & Smith Inc.**, Easton, PA (US)

*Primary Examiner*—Louis S. Zarfes

*Assistant Examiner*—Monica A. Weingart

(\*\*) Term: **14 Years**

(74) *Attorney, Agent, or Firm*—Leydig, Voit & Mayer, Ltd.

(21) Appl. No.: **29/174,673**

(57) **CLAIM**

(22) Filed: **Jan. 22, 2003**

The ornamental design for a pencil case, as shown and described.

(51) **LOC (7) Cl.** ..... **03-01**

**DESCRIPTION**

(52) **U.S. Cl.** ..... **D3/206**

(58) **Field of Search** ..... D3/201, 205, 206,  
D3/273, 274, 276, 282, 283; D6/559; D19/35,  
36, 75, 77, 84, 85, 91; 206/1.7, 45.2, 45.23,  
214, 223, 305, 379, 443

FIG. 1 is a perspective view of a pencil case in a closed arrangement.

FIG. 2 is a perspective view of the pencil case in an opened arrangement.

FIG. 3 is a front elevational view of the closed pencil case.

FIG. 4 is a first side elevational view of the closed pencil case.

FIG. 5 is a second side elevational view of the closed pencil case.

FIG. 6 is a top plan view of the closed pencil case.

FIG. 7 is a bottom plan view of the closed pencil case; and,

FIG. 8 is a rear elevational view of the closed pencil case.

(56) **References Cited**

**U.S. PATENT DOCUMENTS**

D153,069 S	*	3/1949	Linneman	.....	206/379
2,608,294 A	*	8/1952	Ward	.....	D6/559
D202,078 S	*	8/1965	Marder	.....	D19/84
3,429,427 A	*	2/1969	Wolf	.....	206/214
4,304,330 A	*	12/1981	Winkler et al.	.....	206/214
D308,077 S	*	5/1990	Gecchelin	.....	D19/75 X

**1 Claim, 4 Drawing Sheets**

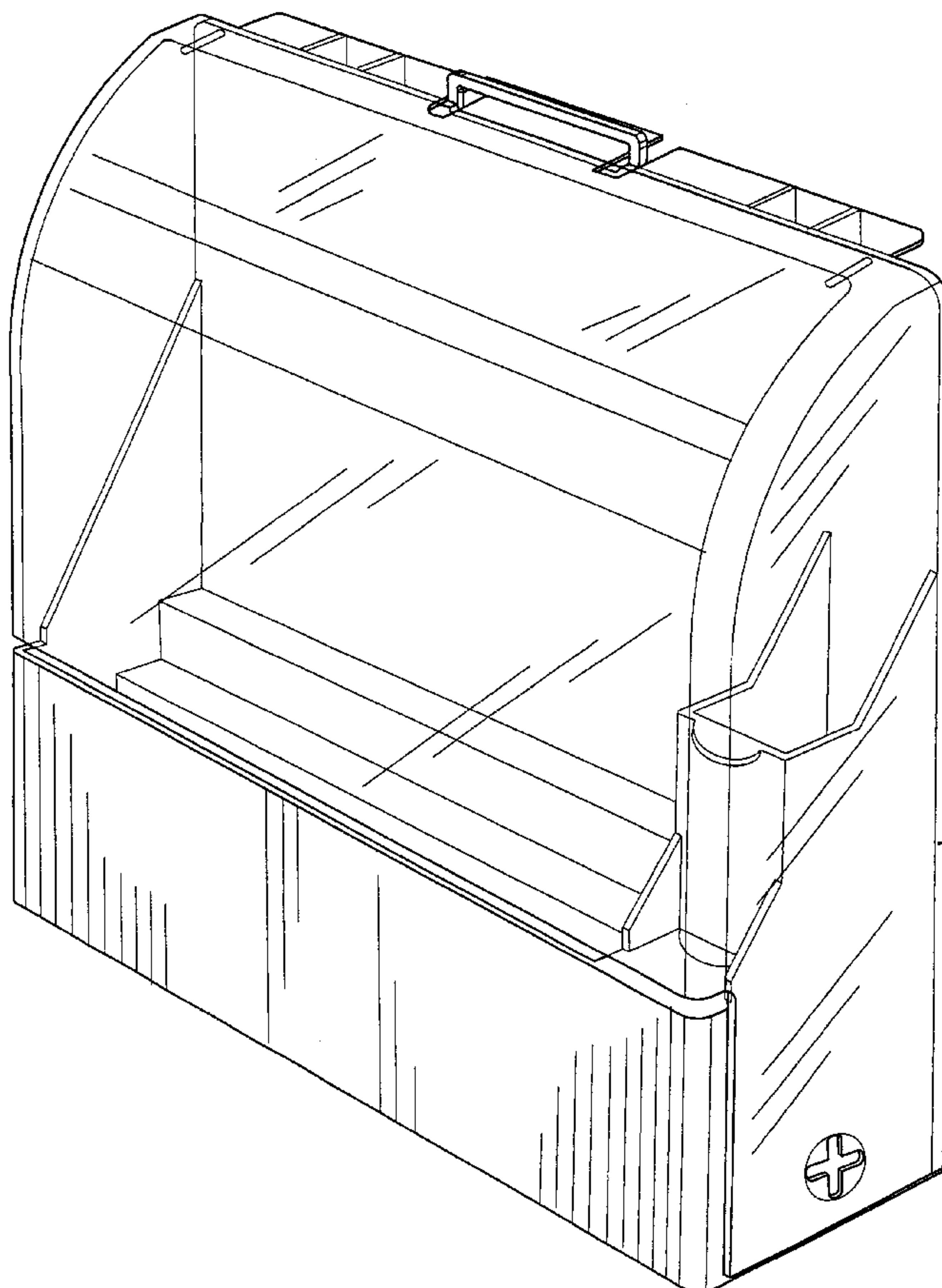
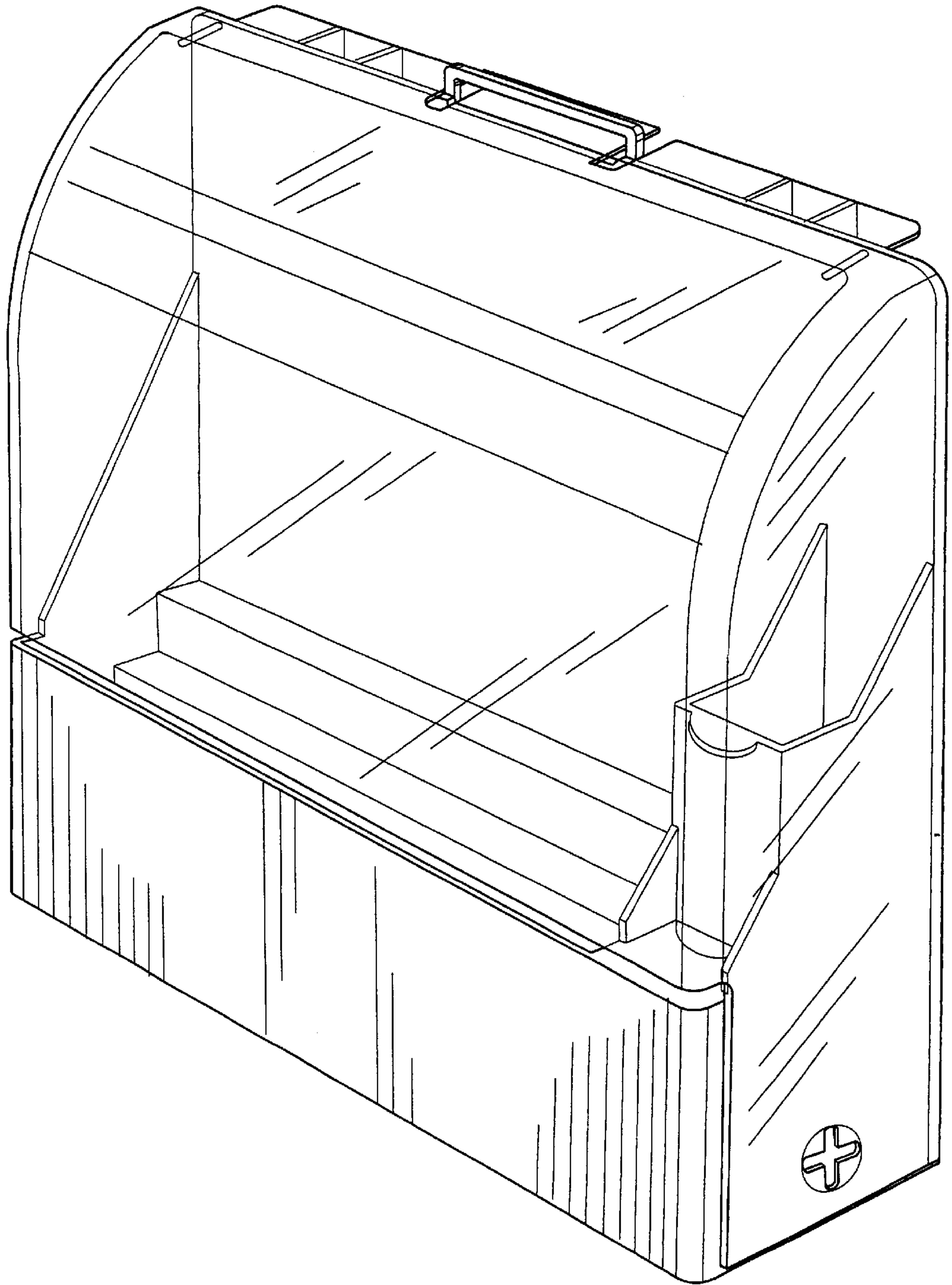


FIG. 1



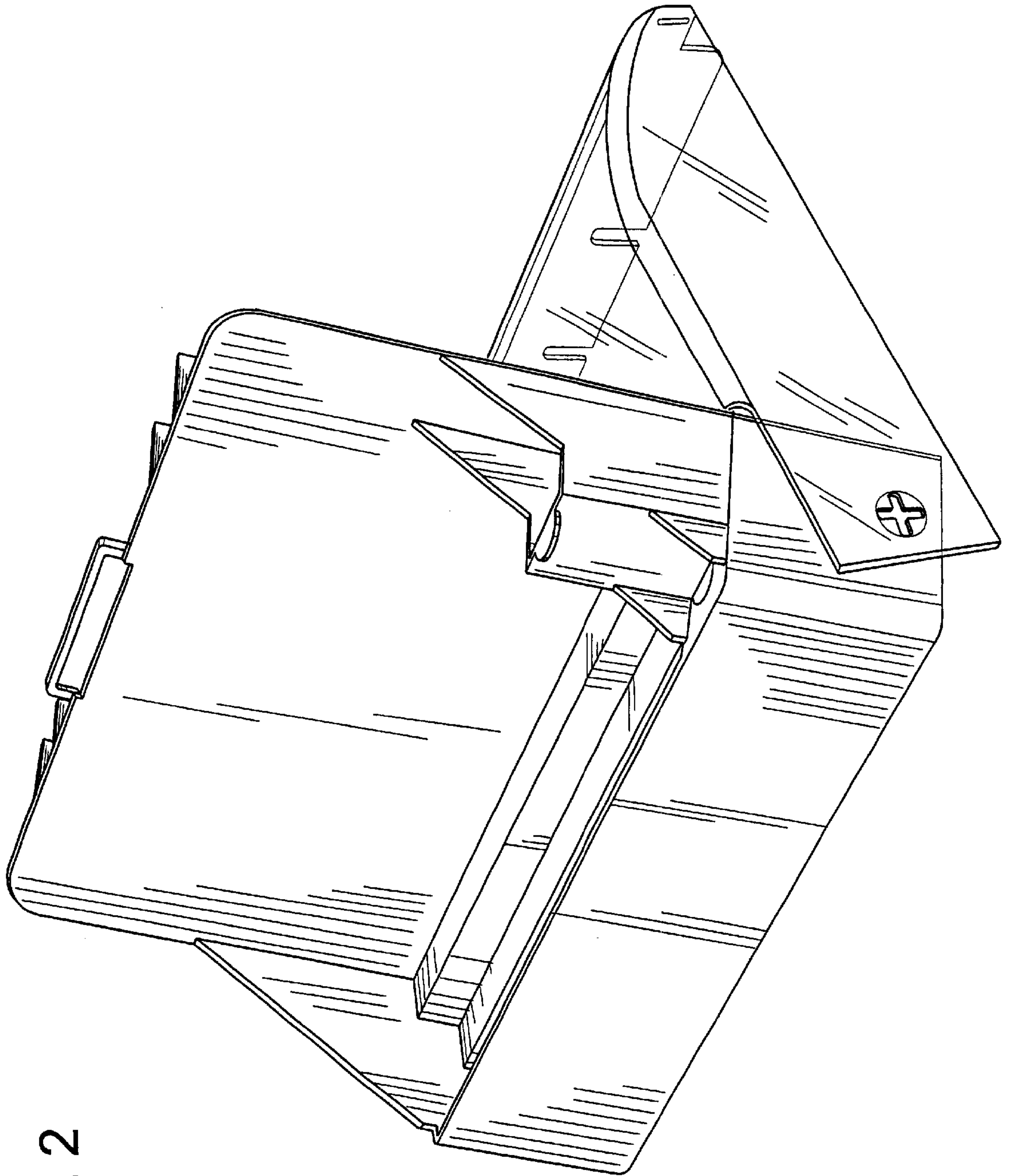


FIG. 2

FIG. 6

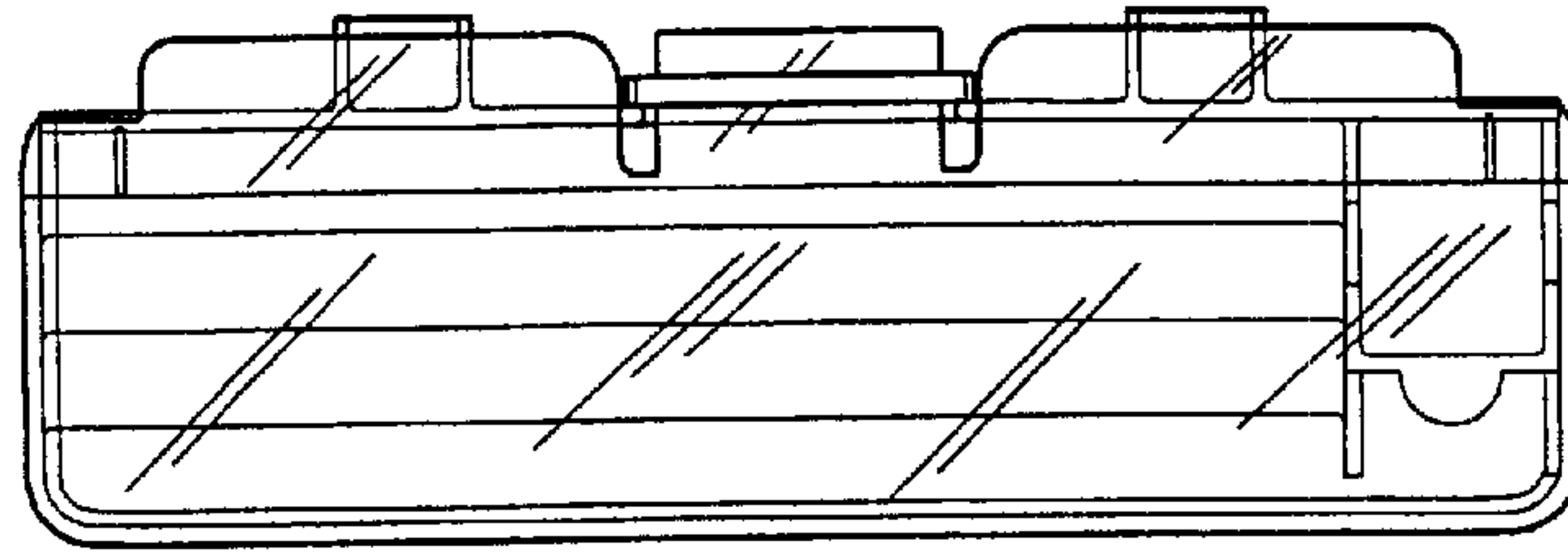


FIG. 4

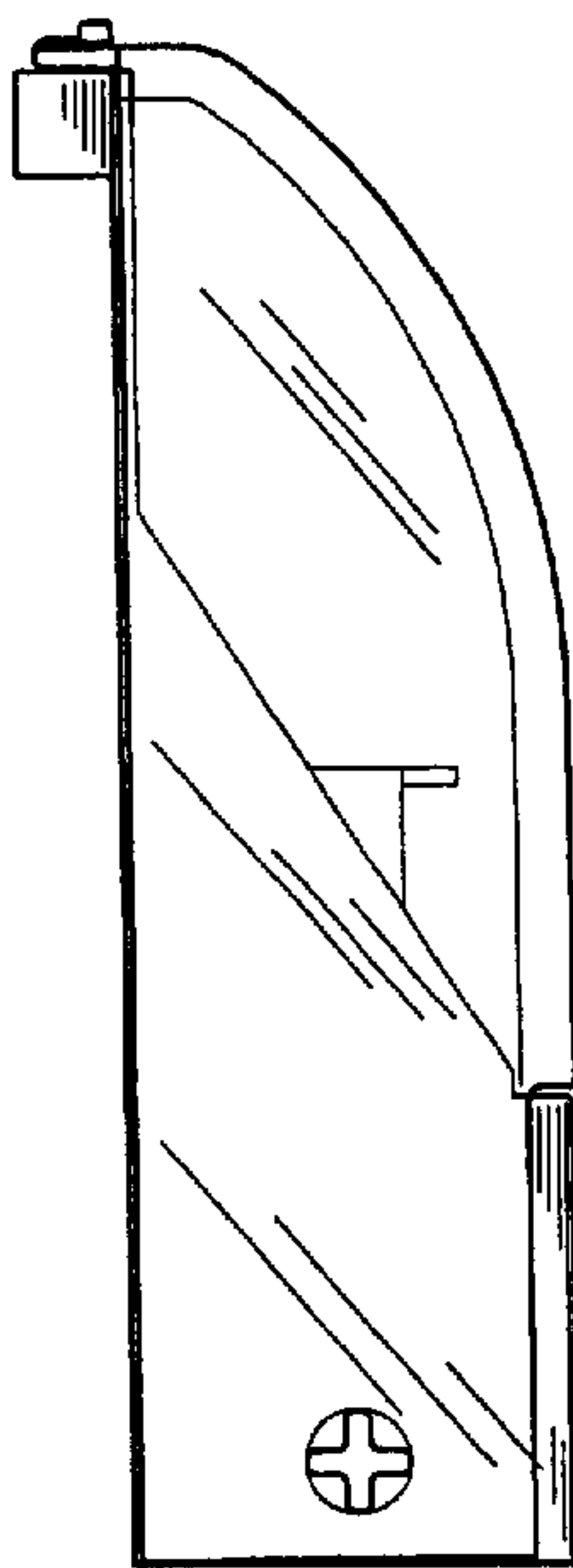


FIG. 3

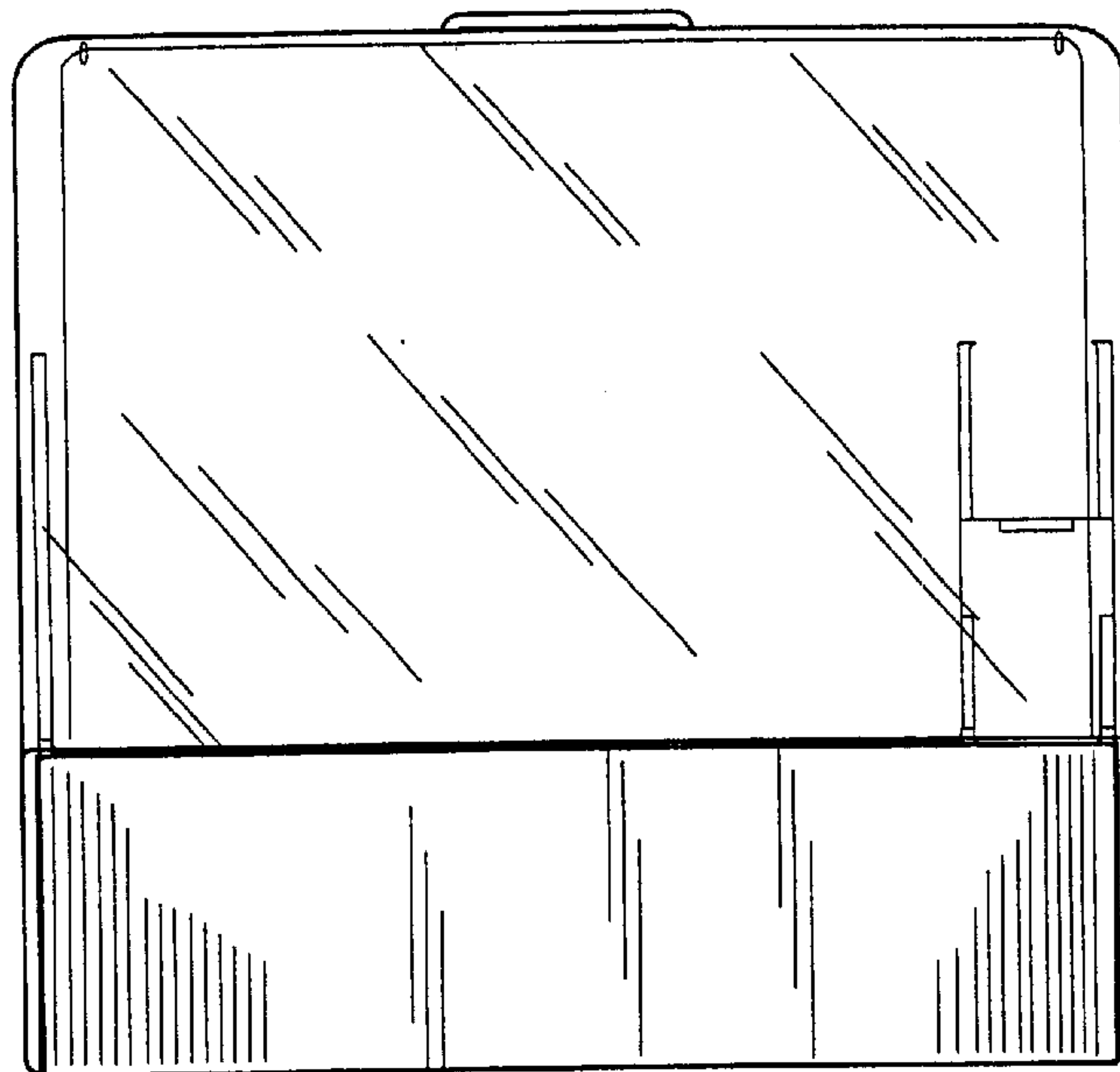


FIG. 5

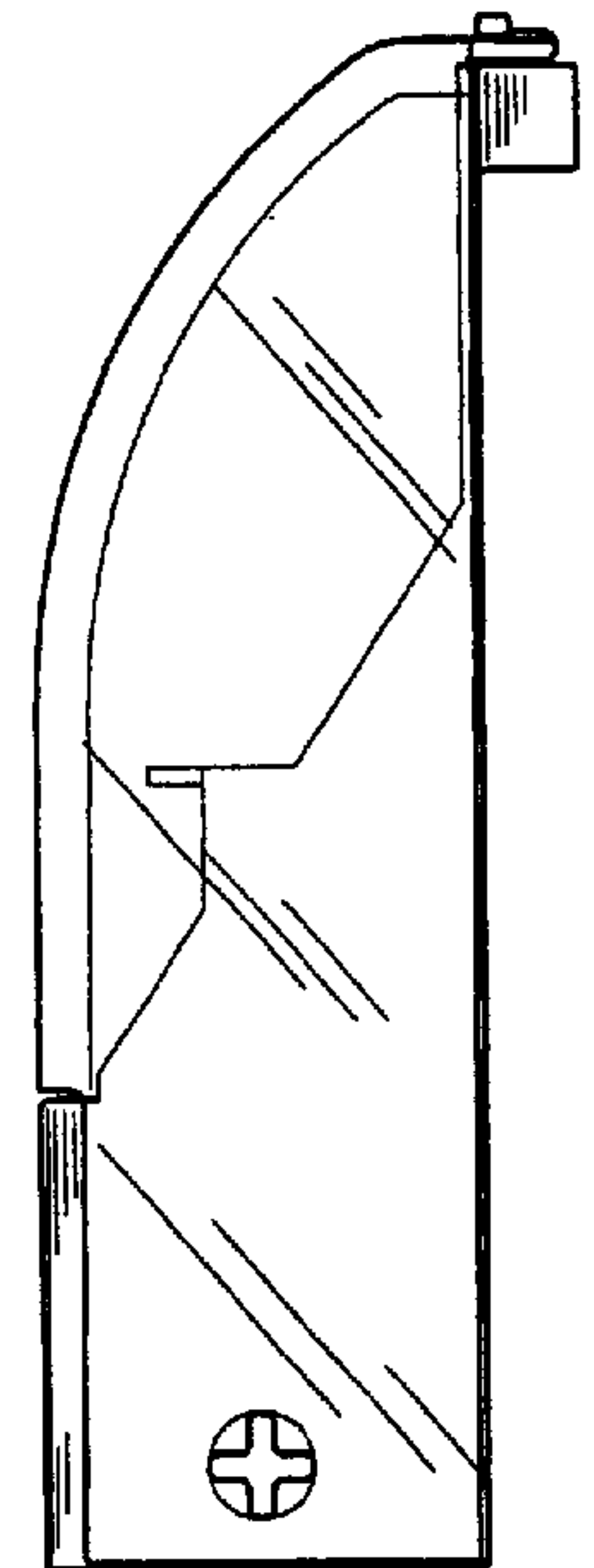


FIG. 7

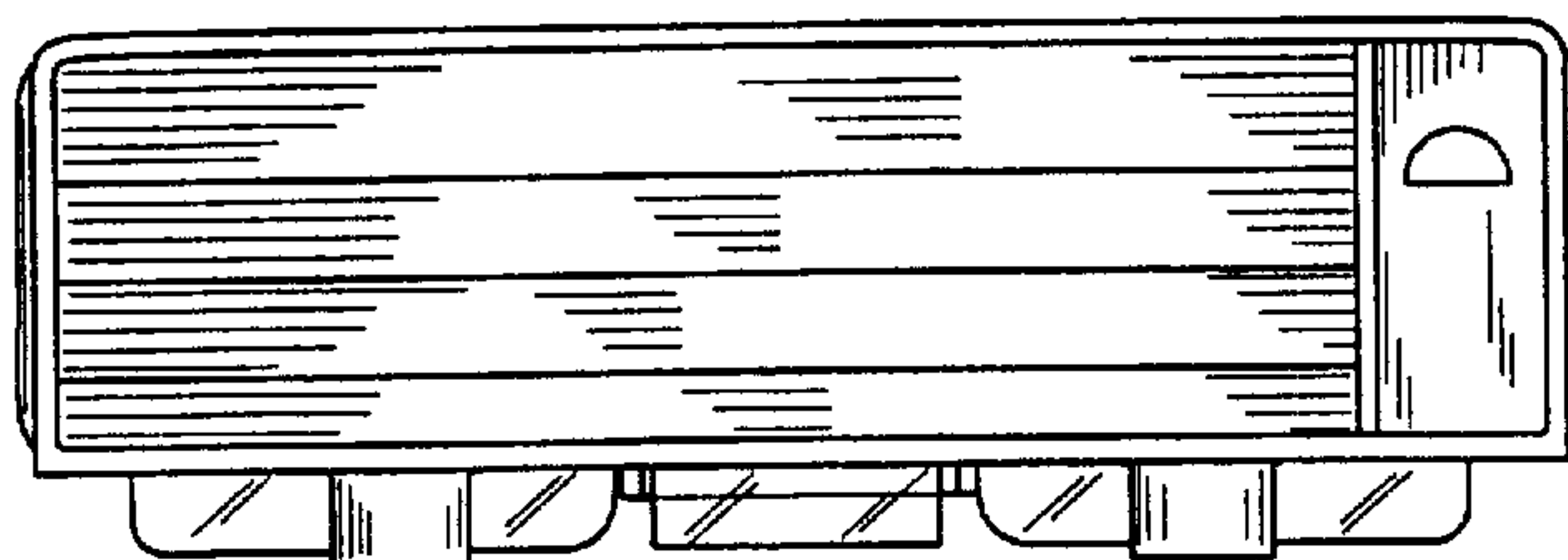




FIG. 8

