



US00D481513S

(12) **United States Design Patent** (10) **Patent No.:** **US D481,513 S**  
**Hall** (45) **Date of Patent:** **\*\* Oct. 28, 2003**

(54) **RACK HAVING CURVED INSET WHEEL CONNECTOR**

FOREIGN PATENT DOCUMENTS

(76) Inventor: **Donald M. Hall**, P.O. Box 1548,  
Kingston, NY (US) 12402-1548

CA 85602 \* 1/1999

\* cited by examiner

(\*\*) Term: **14 Years**

*Primary Examiner*—Kay H. Chin

(74) *Attorney, Agent, or Firm*—Shlesinger, Arkwright & Garvey LLP

(21) Appl. No.: **29/175,571**

(22) Filed: **Feb. 7, 2003**

(57) **CLAIM**

(51) **LOC (7) Cl.** ..... **12-02**

The ornamental design for a rack having curved inset wheel connector, as shown and described.

(52) **U.S. Cl.** ..... **D34/27**

**DESCRIPTION**

(58) **Field of Search** ..... D34/12-27; 211/182,  
211/126.2, 133.1; 108/143, 147; 280/43.17,  
79.3, 79.11

This application relates to Applicant's concurrently filed design application Ser. No. 29/175,572 entitled "Rack Having Inset Wheel".

(56) **References Cited**

U.S. PATENT DOCUMENTS

|           |   |   |         |             |       |           |
|-----------|---|---|---------|-------------|-------|-----------|
| D206,481  | S | * | 12/1966 | MacKay      | ..... | D34/19    |
| 3,912,086 | A | * | 10/1975 | de Bruyn    | ..... | 211/162   |
| 4,627,542 | A | * | 12/1986 | Fredrickson | ..... | 211/150   |
| 4,715,474 | A | * | 12/1987 | Wehmeyer    | ..... | 182/194   |
| 5,330,064 | A | * | 7/1994  | Hall        | ..... | 211/182   |
| 5,386,787 | A | * | 2/1995  | Hall        | ..... | 108/143   |
| 5,456,191 | A | * | 10/1995 | Hall        | ..... | 108/147   |
| 5,471,922 | A | * | 12/1995 | Hall        | ..... | 108/143   |
| 5,483,782 | A | * | 1/1996  | Hall        | ..... | 52/730.1  |
| 5,503,087 | A | * | 4/1996  | Hall        | ..... | 108/143   |
| 5,628,522 | A | * | 5/1997  | Hall        | ..... | 280/43.17 |

FIG. 1 is a front perspective view of a rack having curved inset wheel connector according to my design;

FIG. 2 is a side view of my rack having curved inset wheel connector of FIG. 1;

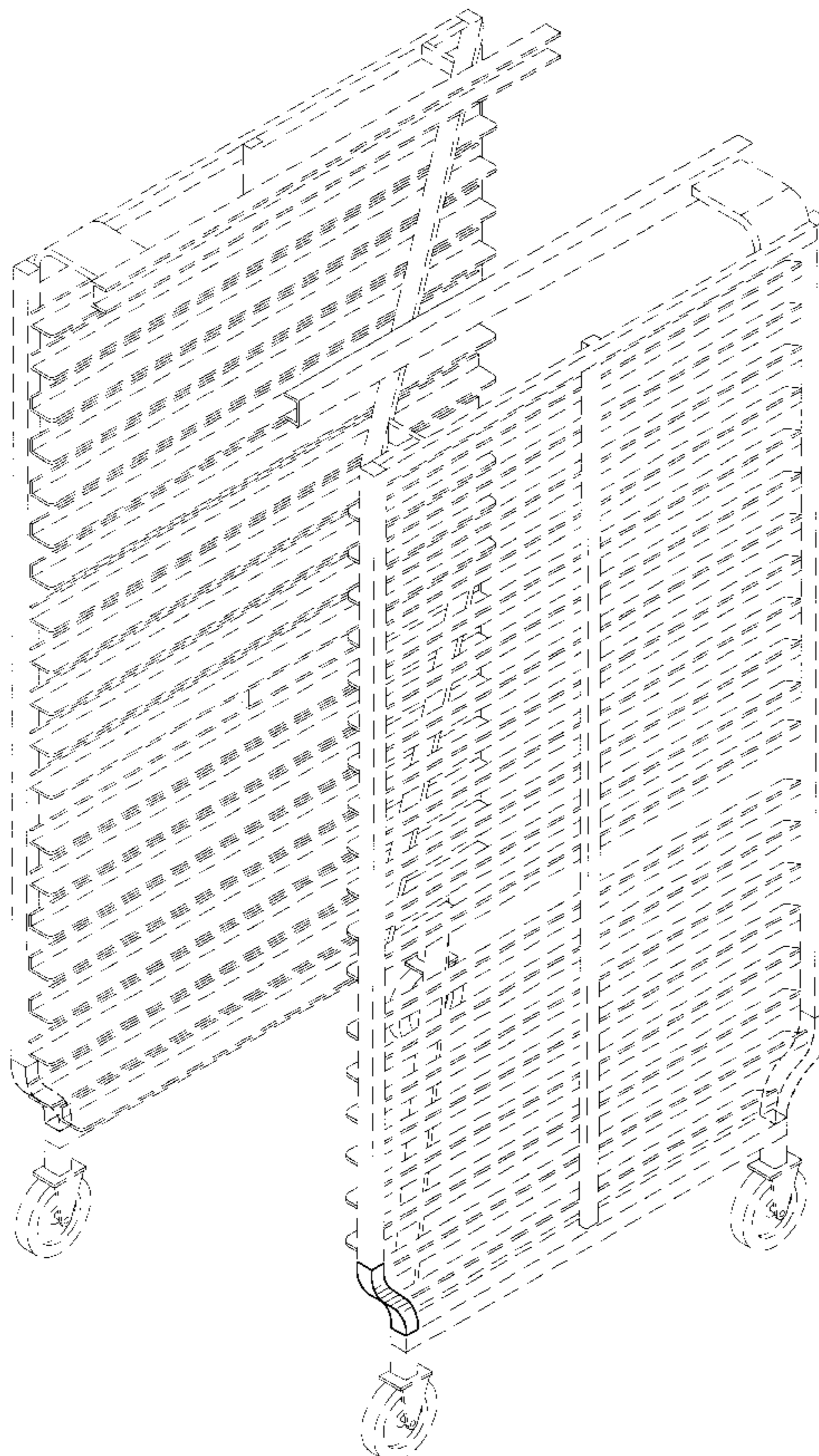
FIG. 3 is a front view of a rack having curved inset wheel connector according to my design; and,

FIG. 4 is an enlarged view of a portion of my rack having curved inset wheel connector of FIG. 1.

The unillustrated views form no part of the claimed design.

The broken line portions form no part of the claimed design.

**1 Claim, 3 Drawing Sheets**



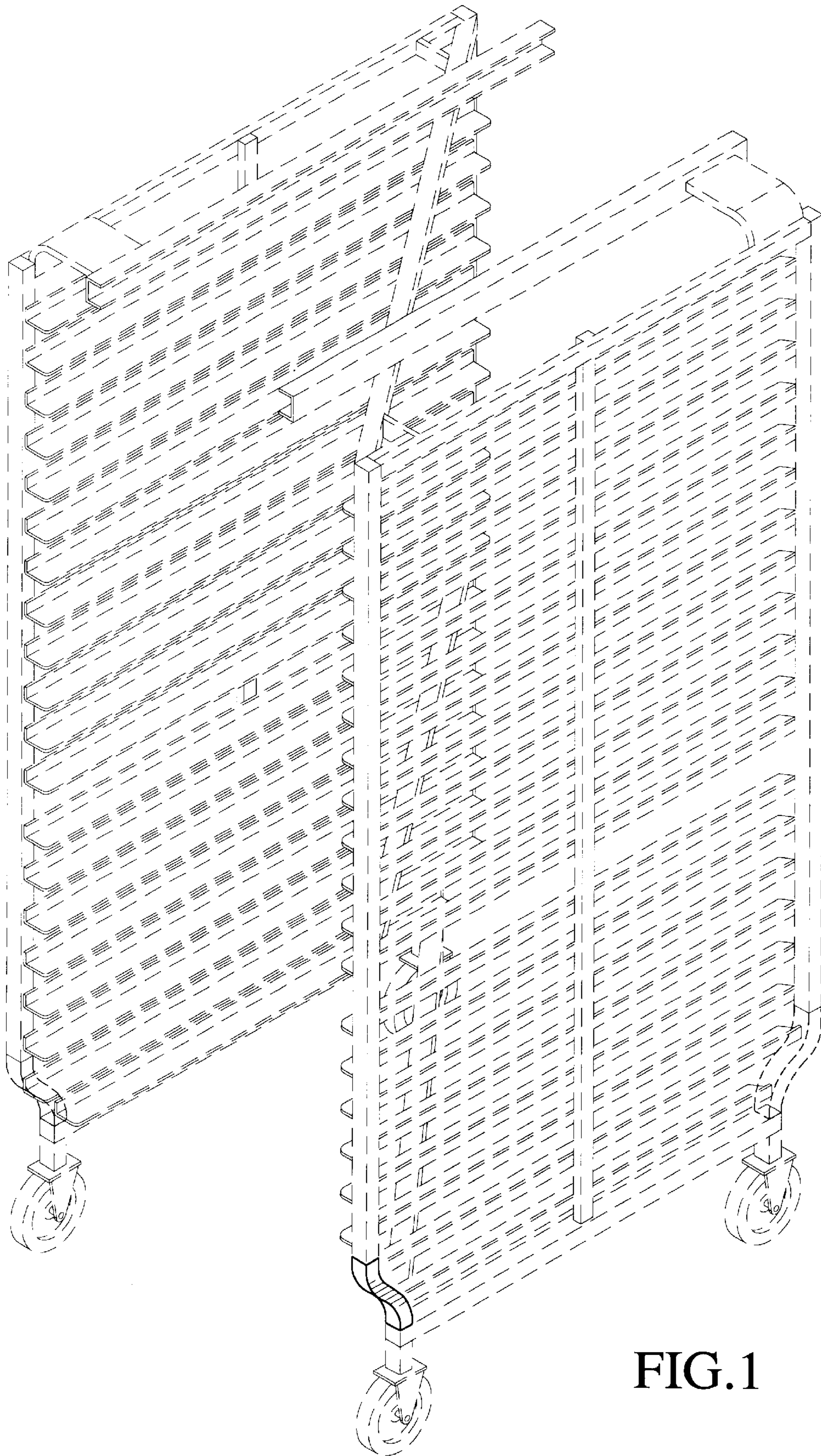


FIG. 1

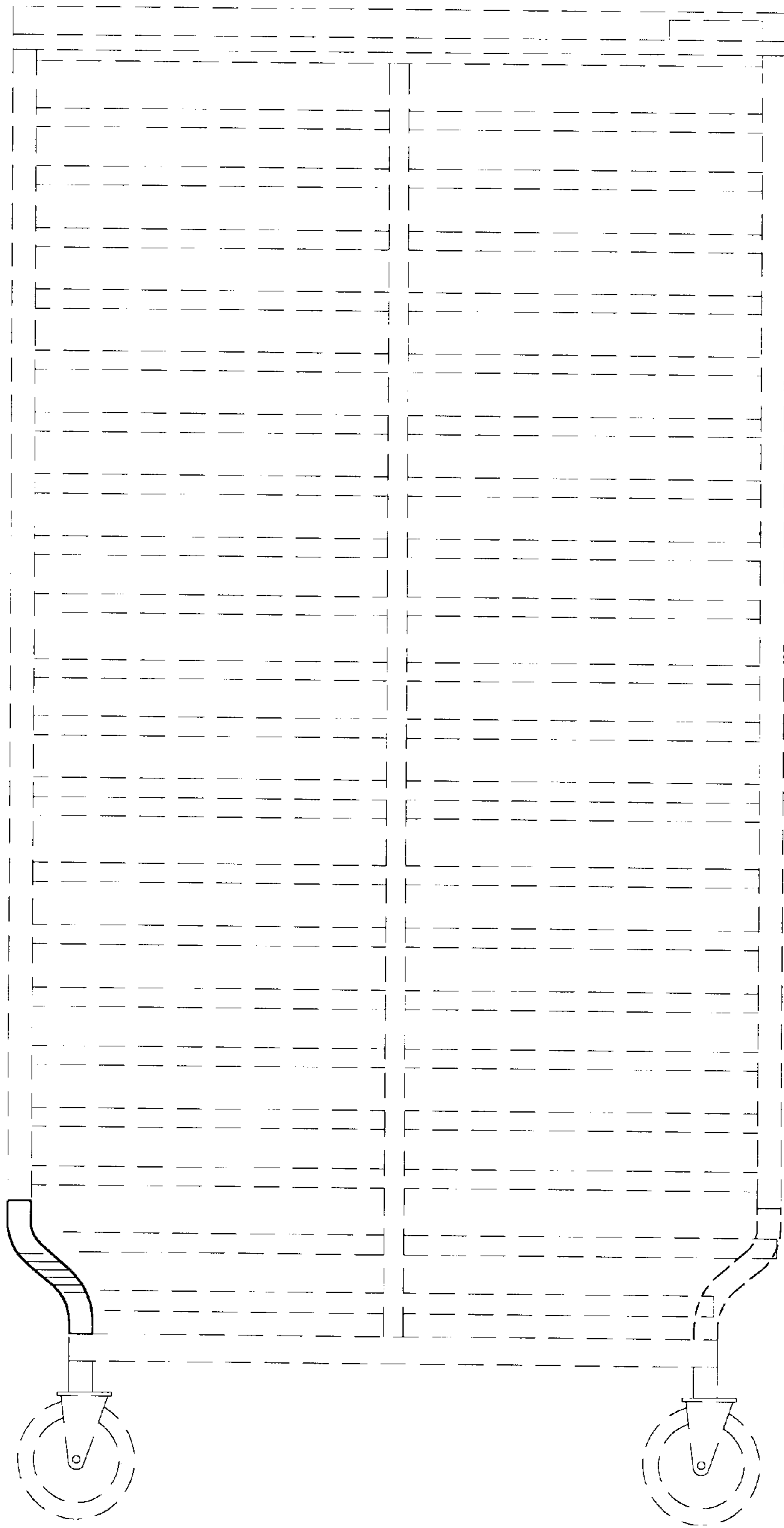


FIG.2

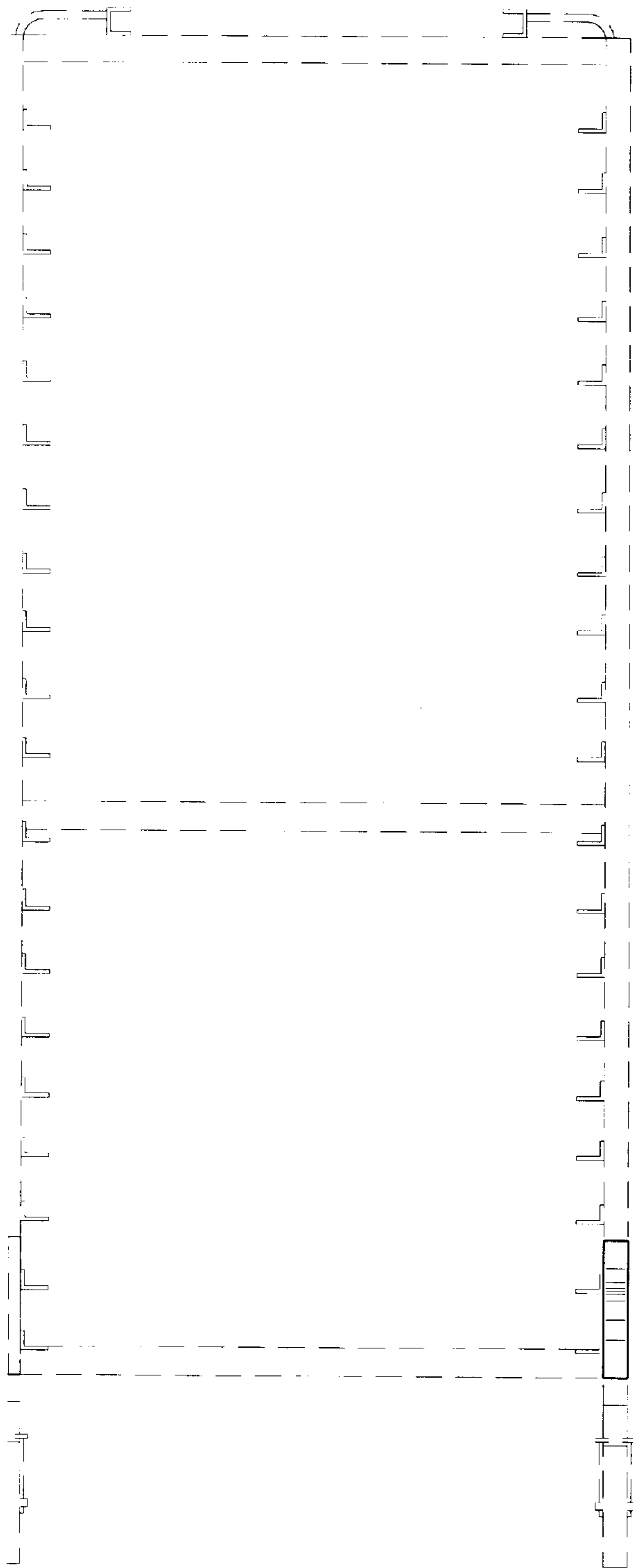


FIG. 3

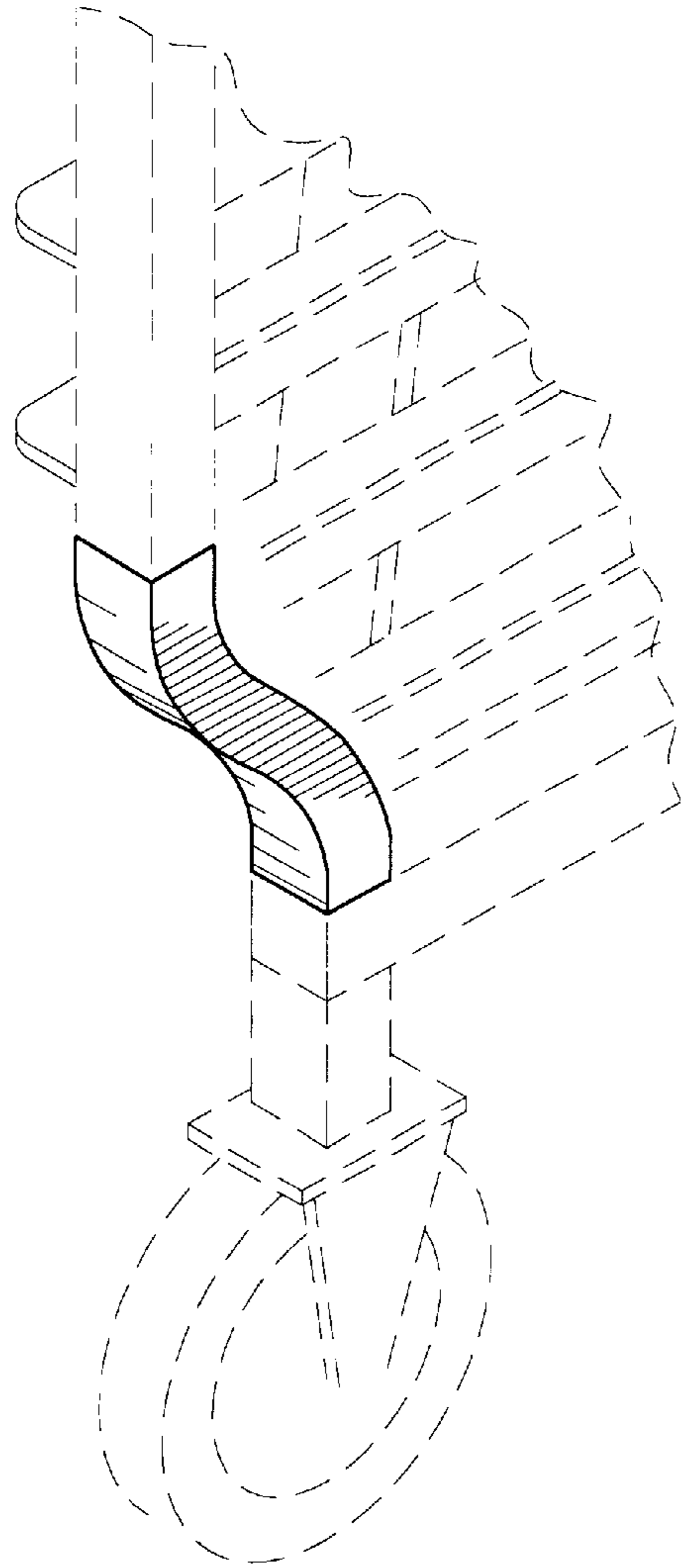


FIG. 4