



US00D481512S

(12) **United States Design Patent**  
**Lee**

(10) **Patent No.:** **US D481,512 S**

(45) **Date of Patent:** **\*\* Oct. 28, 2003**

(54) **FOLDABLE HAND-DOLLY**

(76) **Inventor:** **Maximilian Byung-Ho Lee**, 14045  
Leffingwell Rd. #602, Whittier, CA  
(US) 90604

(\*\*) **Term:** **14 Years**

(21) **Appl. No.:** **29/176,032**

(22) **Filed:** **Feb. 14, 2003**

(51) **LOC (7) Cl.** ..... **12-02**

(52) **U.S. Cl.** ..... **D34/24**

(58) **Field of Search** ..... D34/12-27; 280/47.19,  
280/47.24, 47.27, 47.28, 47.29, 652, 654;  
248/129

(56) **References Cited**

**U.S. PATENT DOCUMENTS**

5,340,135 A \* 8/1994 Womberly ..... 280/47.19

D354,600 S \* 1/1995 Roberts ..... D34/24  
5,474,313 A \* 12/1995 Marquardt ..... 280/47.28  
D423,174 S \* 4/2000 Burr ..... D34/24  
D465,634 S \* 11/2002 Botzau et al. .... D34/24

\* cited by examiner

*Primary Examiner*—Kay H. Chin

(57) **CLAIM**

The ornamental design for a foldable hand-dolly, as shown and described.

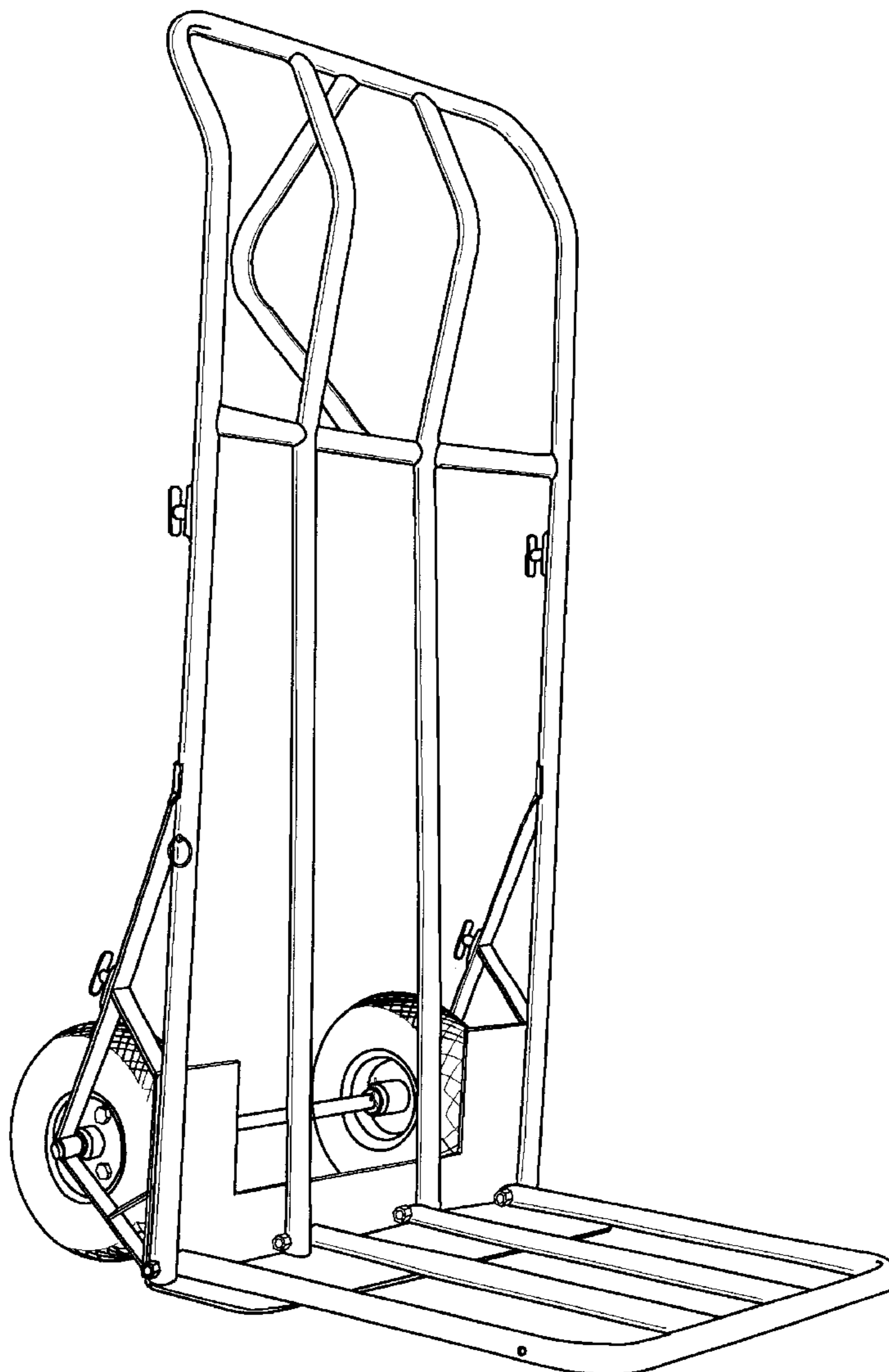
**DESCRIPTION**

FIG. 1 is a front perspective view of a foldable hand-dolly showing my new design;

FIG. 2 is side perspective view thereof; and,

FIG. 3 is a rear view thereof.

**1 Claim, 3 Drawing Sheets**



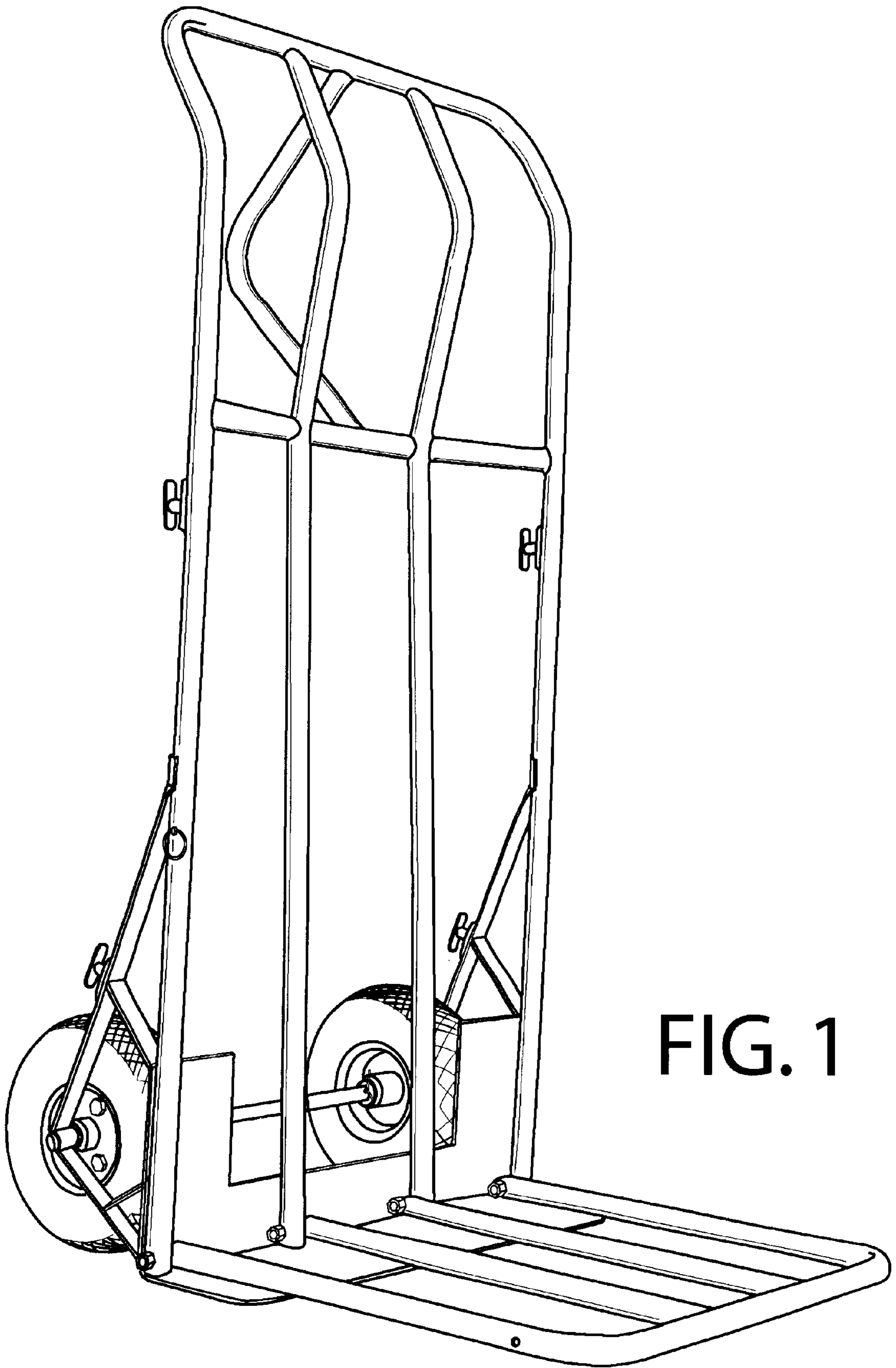


FIG. 1

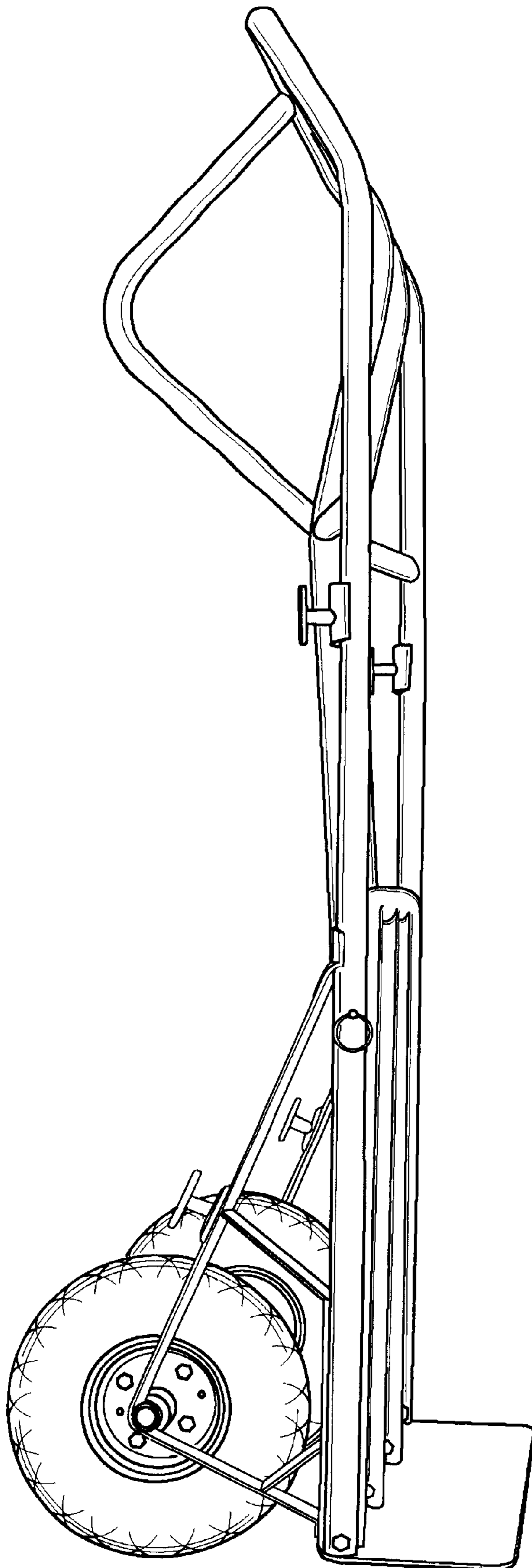


FIG. 2

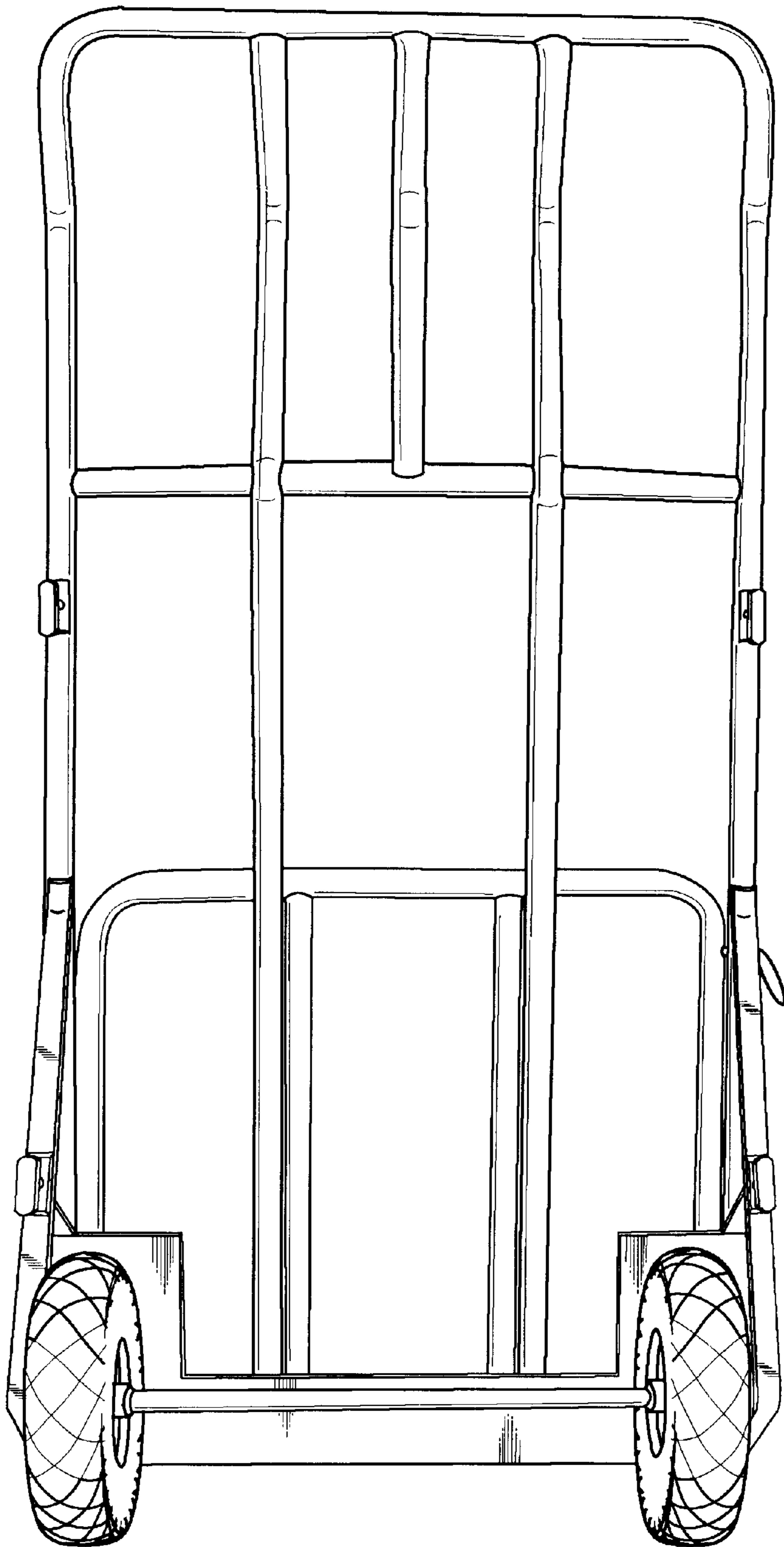


FIG. 3