



US00D481511S

(12) **United States Design Patent**
Lee

(10) **Patent No.:** **US D481,511 S**

(45) **Date of Patent:** **** Oct. 28, 2003**

(54) **COLLAPSIBLE MUCK-BUCKET DOLLY**

(76) Inventor: **Maximilian Byung-Ho Lee**, 14045
Leffingwell Rd. #602, Whittier, CA
(US) 90604

(**) Term: **14 Years**

(21) Appl. No.: **29/176,030**

(22) Filed: **Feb. 14, 2003**

(51) **LOC (7) Cl.** **12-02**

(52) **U.S. Cl.** **D34/24**

(58) **Field of Search** D34/12-27; 280/47.24,
280/47.26, 47.17, 47.18, 47.2, 47.21, 47.27

(56) **References Cited**

U.S. PATENT DOCUMENTS

4,653,765 A * 3/1987 Smalley et al. 280/47.2

D327,968 S * 7/1992 Wright D34/24
D349,799 S * 8/1994 Caldwell et al. D34/26

* cited by examiner

Primary Examiner—Kay H. Chin

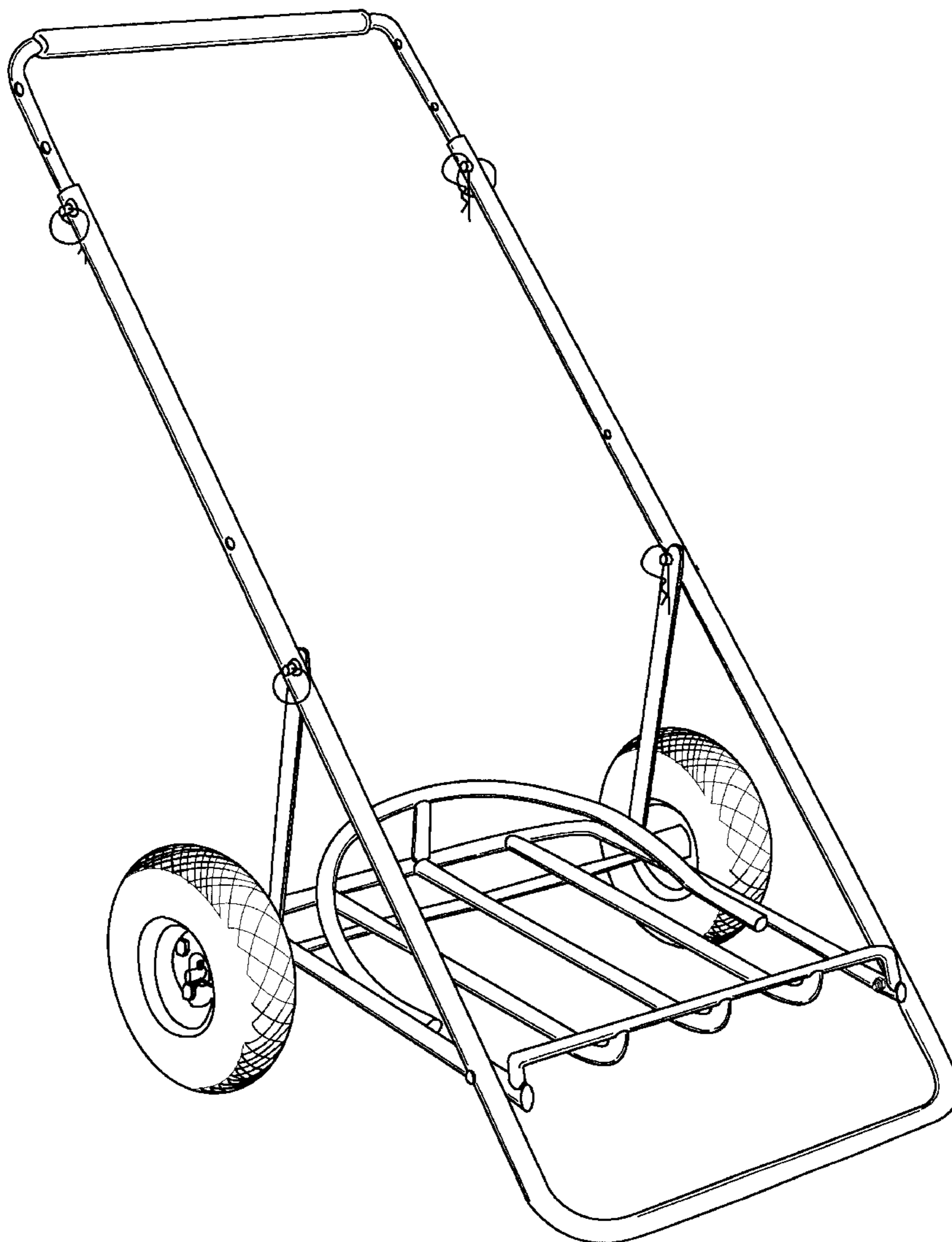
(57) **CLAIM**

The ornamental design for a collapsible muck-bucket dolly,
as shown and described.

DESCRIPTION

FIG. 1 is a front perspective view of a collapsible muck-
bucket dolly showing my new design;
FIG. 2 is a side view thereof in its collapsed condition;
FIG. 3 is top plan view thereof; and,
FIG. 4 is a side view thereof in its open condition.

1 Claim, 4 Drawing Sheets



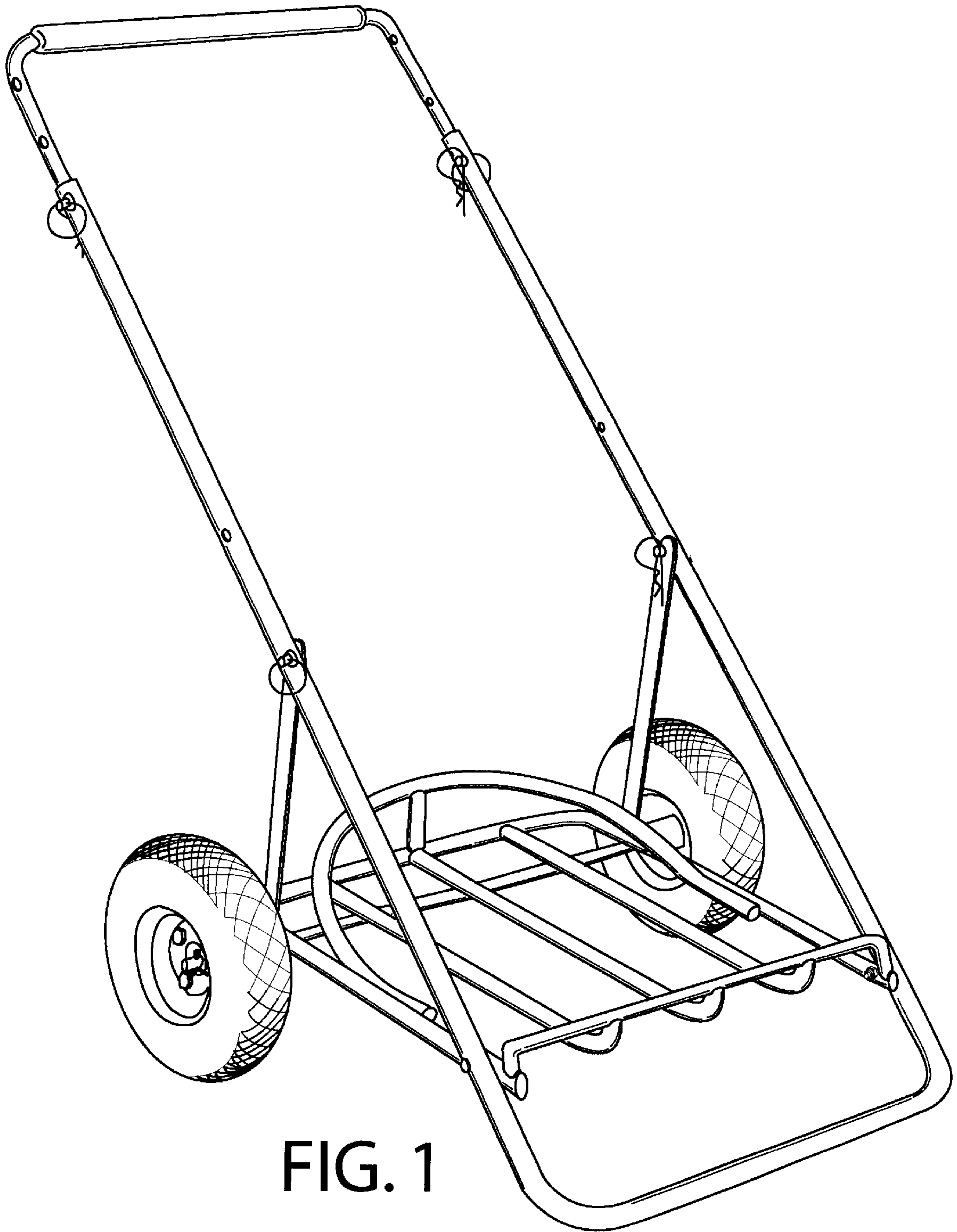


FIG. 1

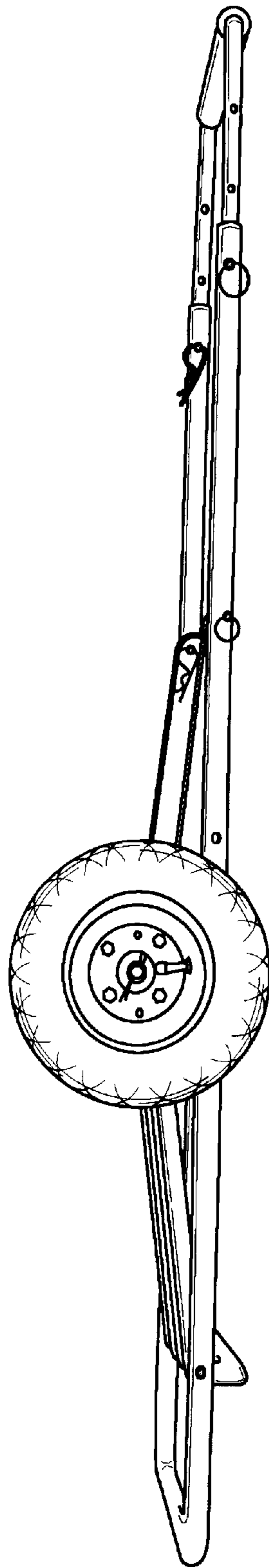


FIG. 2

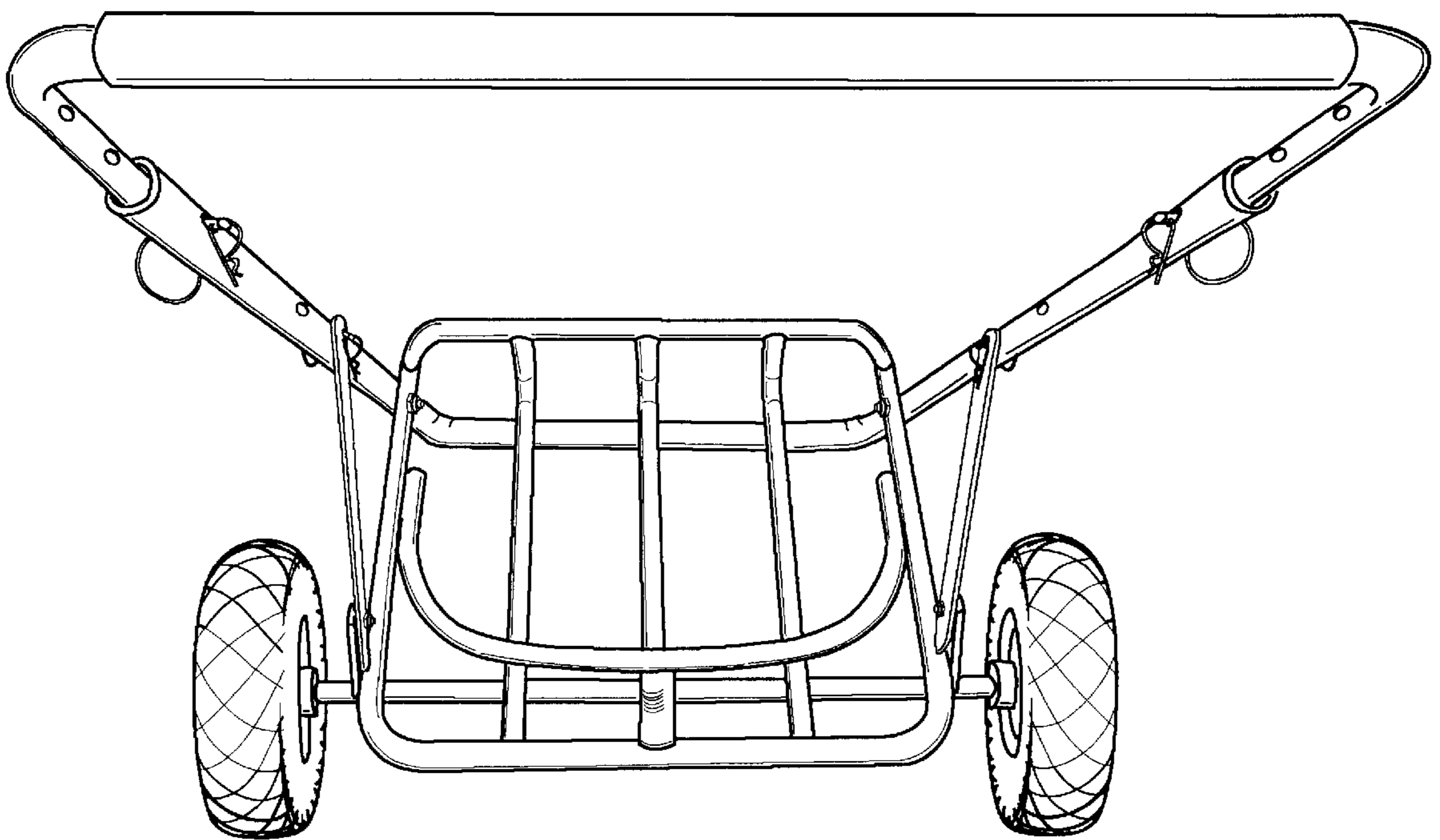


FIG. 3

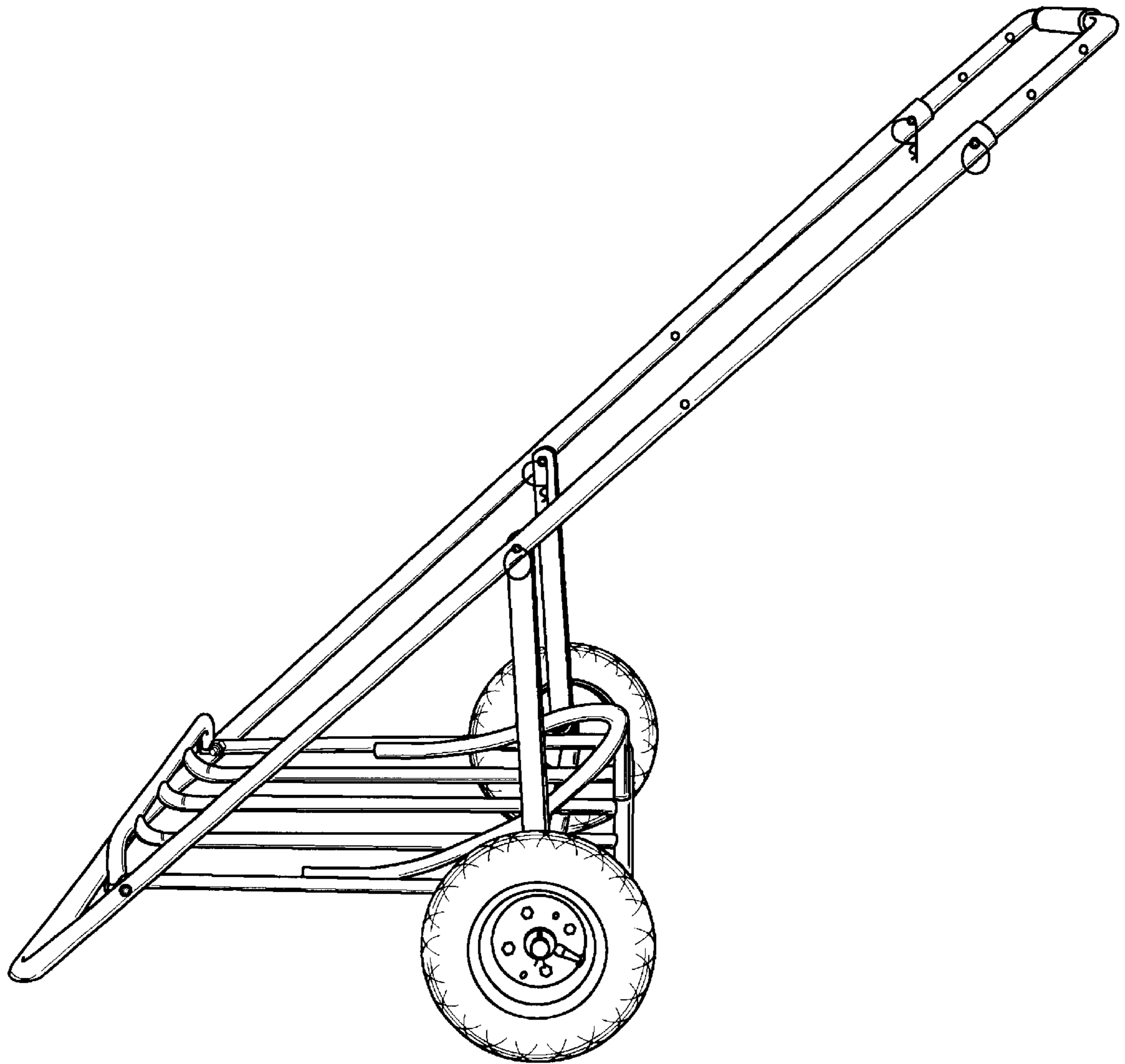


FIG. 4