



US00D481510S

(12) **United States Design Patent**  
**Valderrama**

(10) **Patent No.:** **US D481,510 S**

(45) **Date of Patent:** **\*\* Oct. 28, 2003**

(54) **PORTABLE CLEANING STATION**

(75) Inventor: **Jorge E. Valderrama**, Marietta, GA  
(US)

(73) Assignee: **Park and Wash, LLC**, Marietta, GA  
(US)

(\*\*) Term: **14 Years**

(21) Appl. No.: **29/174,754**

(22) Filed: **Jan. 23, 2003**

(51) **LOC (7) Cl.** ..... **12-02**

(52) **U.S. Cl.** ..... **D34/20; D34/19; D32/1**

(58) **Field of Search** ..... **D34/12-27; D32/1,**  
**D32/4; 280/47.24, 47.34, 47.35, 47.38,**  
**79.11, 79.2, 79.7; D12/128, 129; 239/146,**  
**149**

(56) **References Cited**

**U.S. PATENT DOCUMENTS**

D298,019 S \* 10/1988 McMillen ..... D12/129

D340,786 S \* 10/1993 Jones ..... D32/21

D410,126 S \* 5/1999 Zorzo ..... D34/17

D458,423 S \* 6/2002 Rehkugler et al. .... D32/16

\* cited by examiner

*Primary Examiner*—Kay H. Chin

(74) *Attorney, Agent, or Firm*—Jason A. Bernstein; Powell,  
Goldstein, Frazer & Murphy LLP

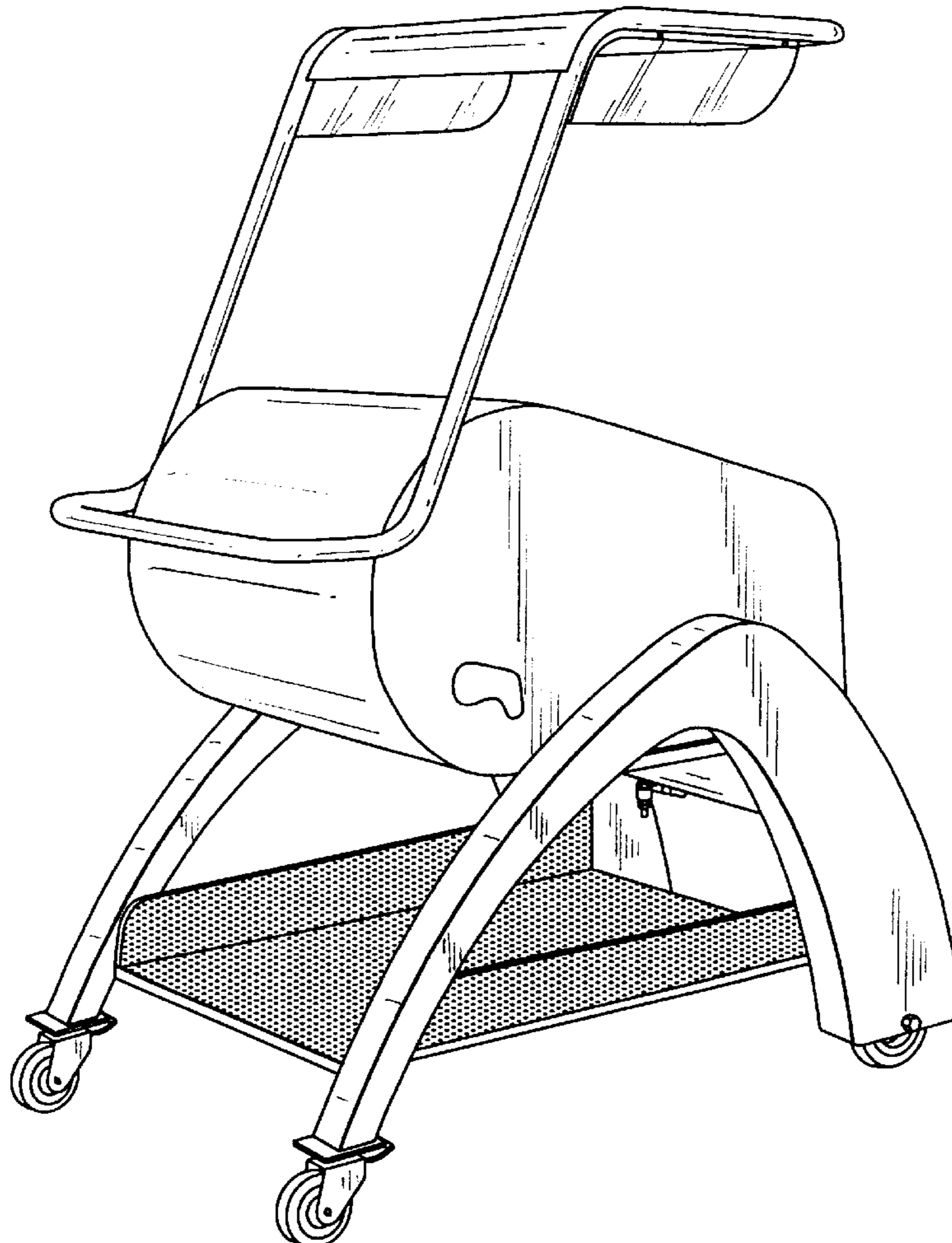
(57) **CLAIM**

The ornamental design for my portable cleaning station, as shown and described.

**DESCRIPTION**

FIG. 1 is a perspective view of my portable cleaning station  
FIG. 2 is a front side elevation view thereof;  
FIG. 3 is a right side elevation view thereof;  
FIG. 4 is a rear side elevation view thereof;  
FIG. 5 is a left side elevation view thereof;  
FIG. 6 is a top plan view thereof; and,  
FIG. 7 is a bottom plan view thereof.

**1 Claim, 4 Drawing Sheets**



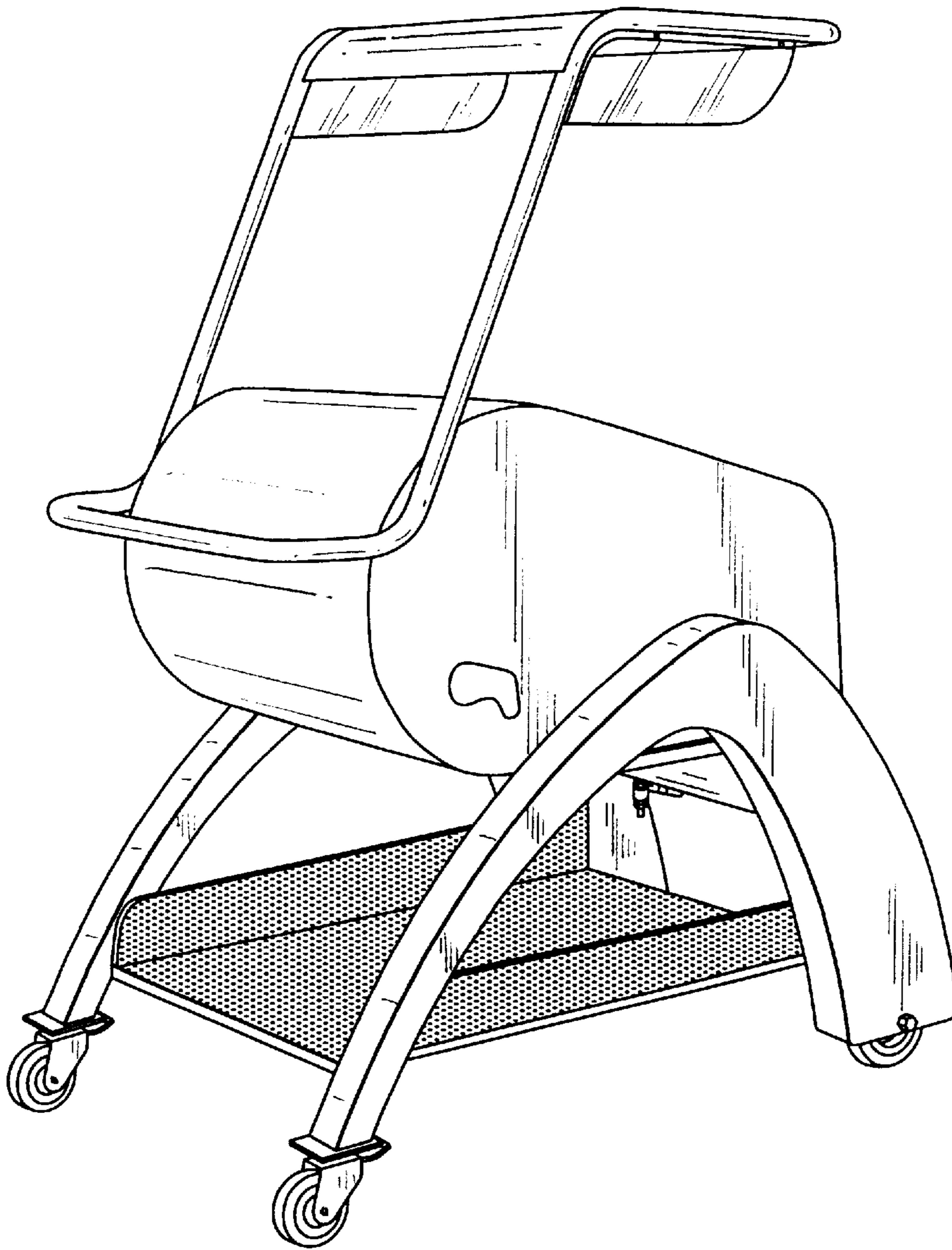


FIG. 1

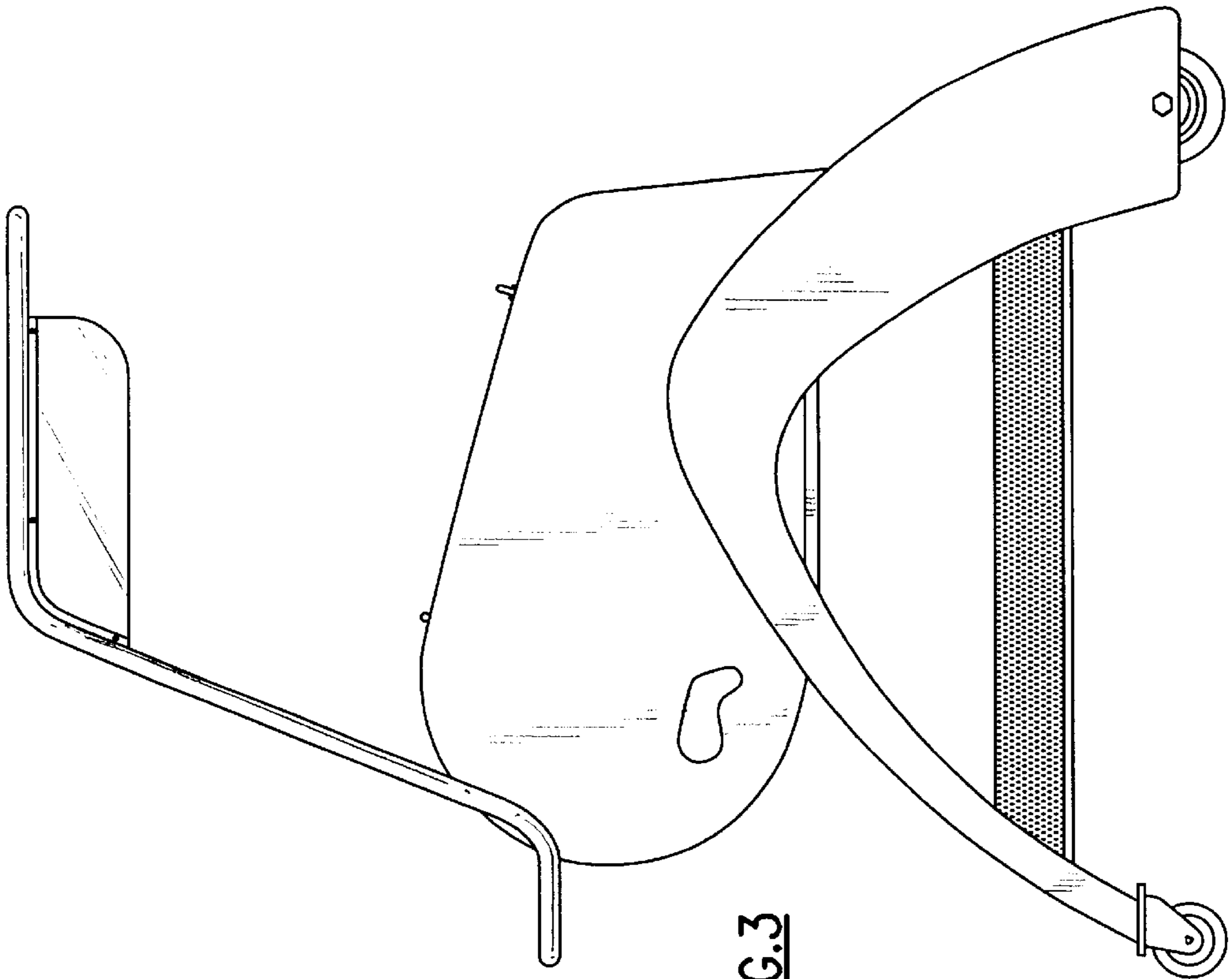


FIG. 3

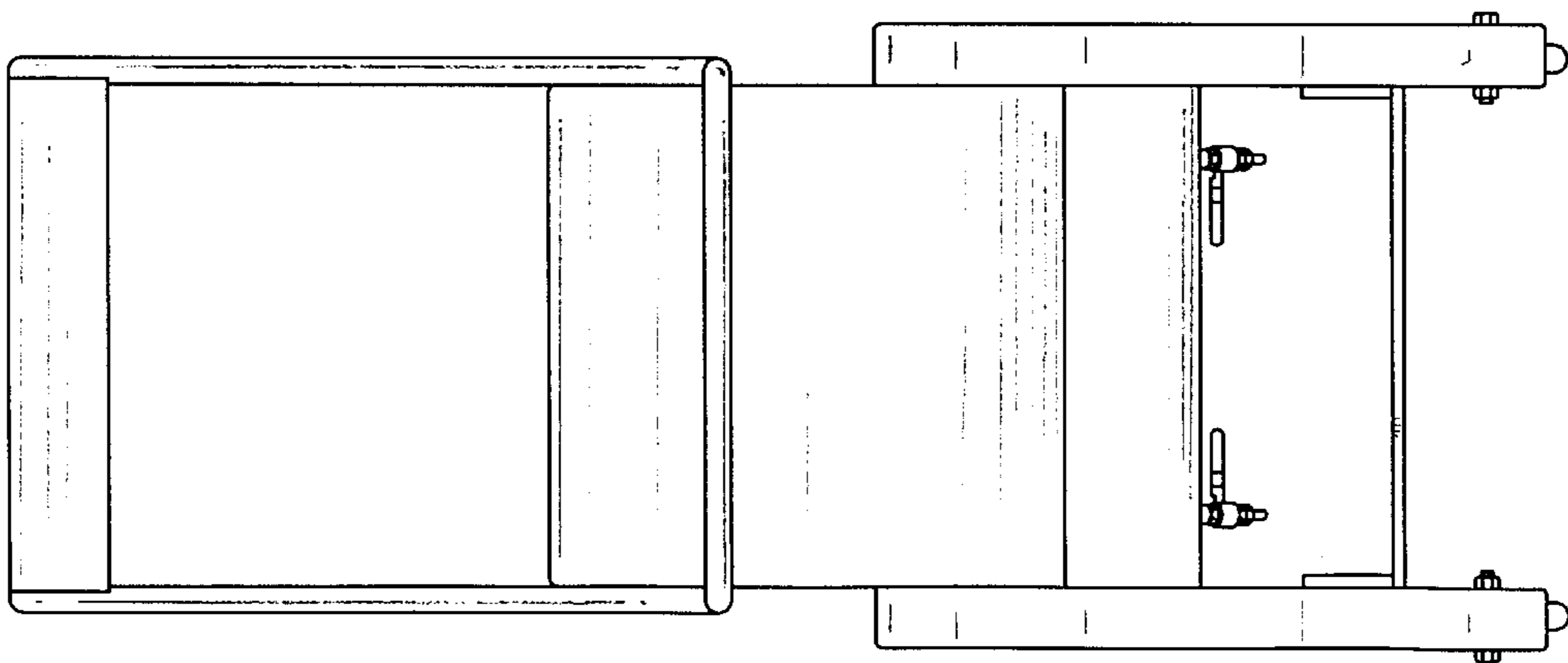
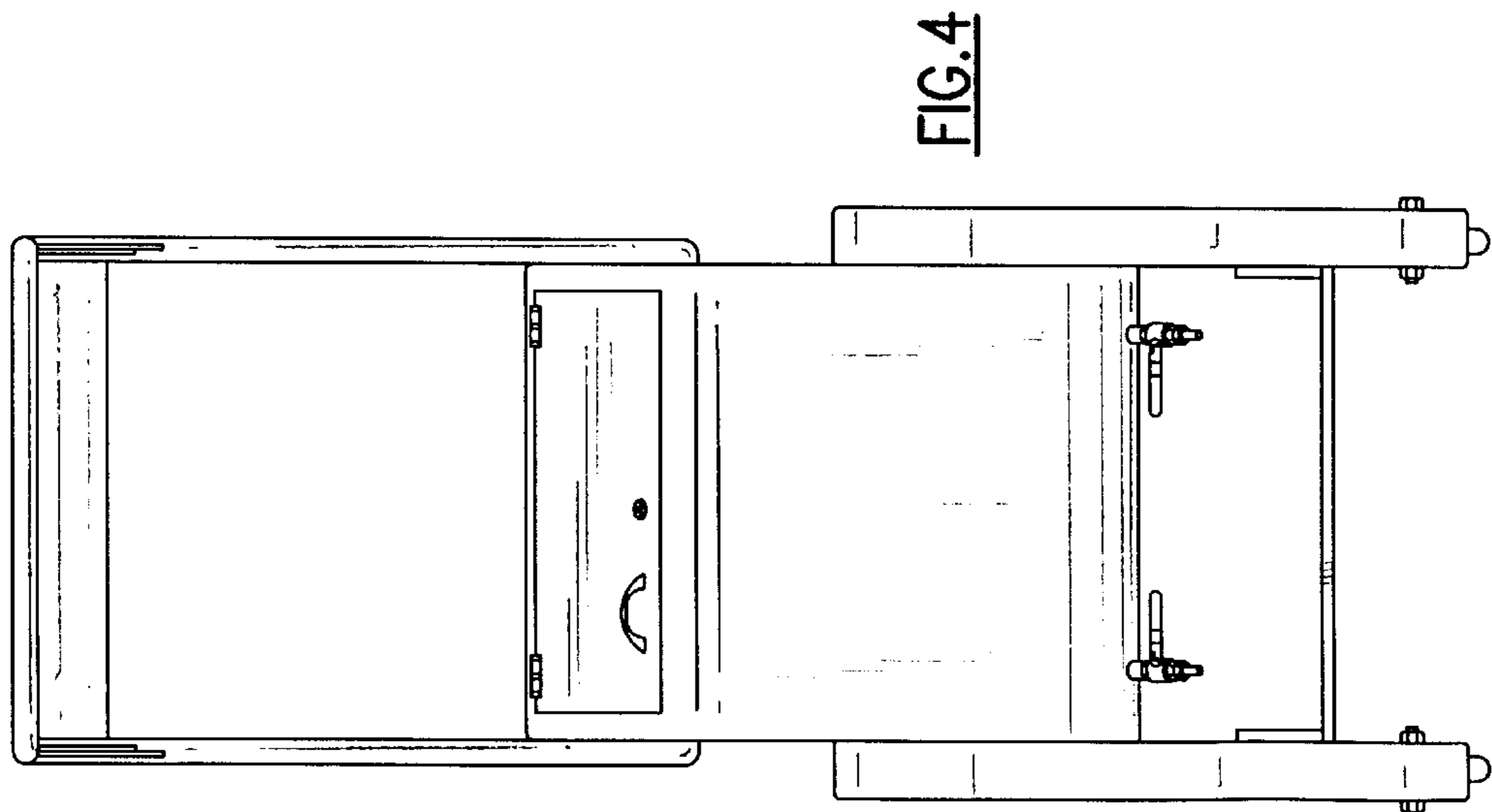
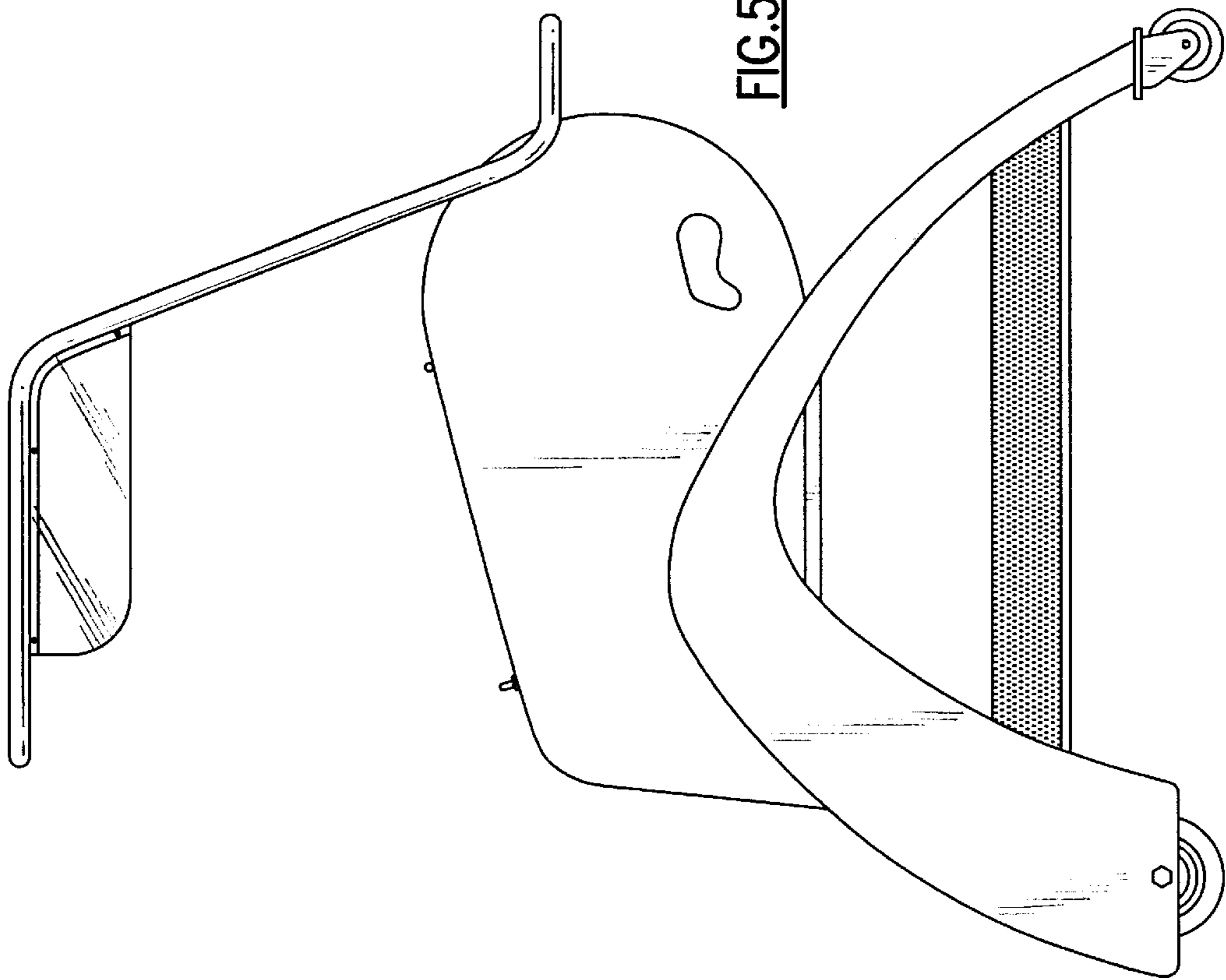


FIG. 2





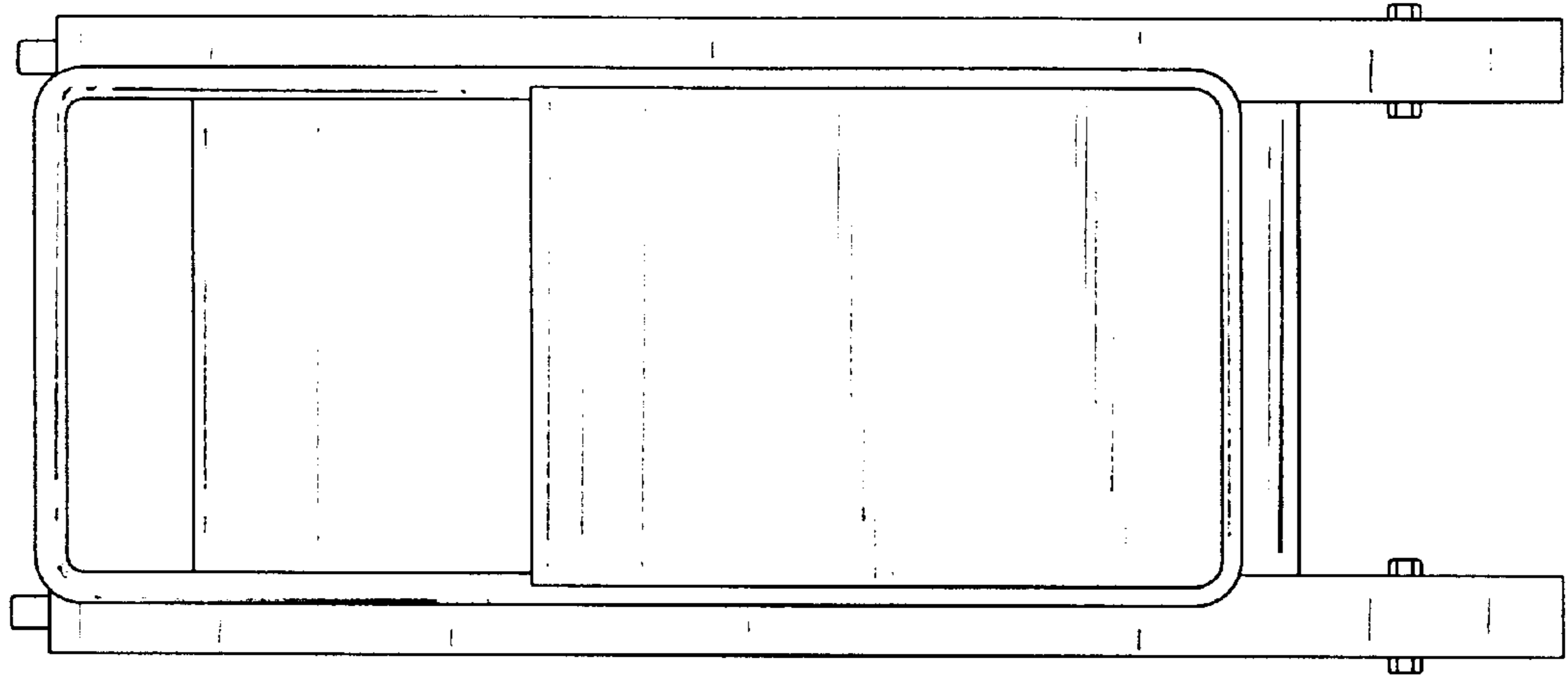


FIG. 6

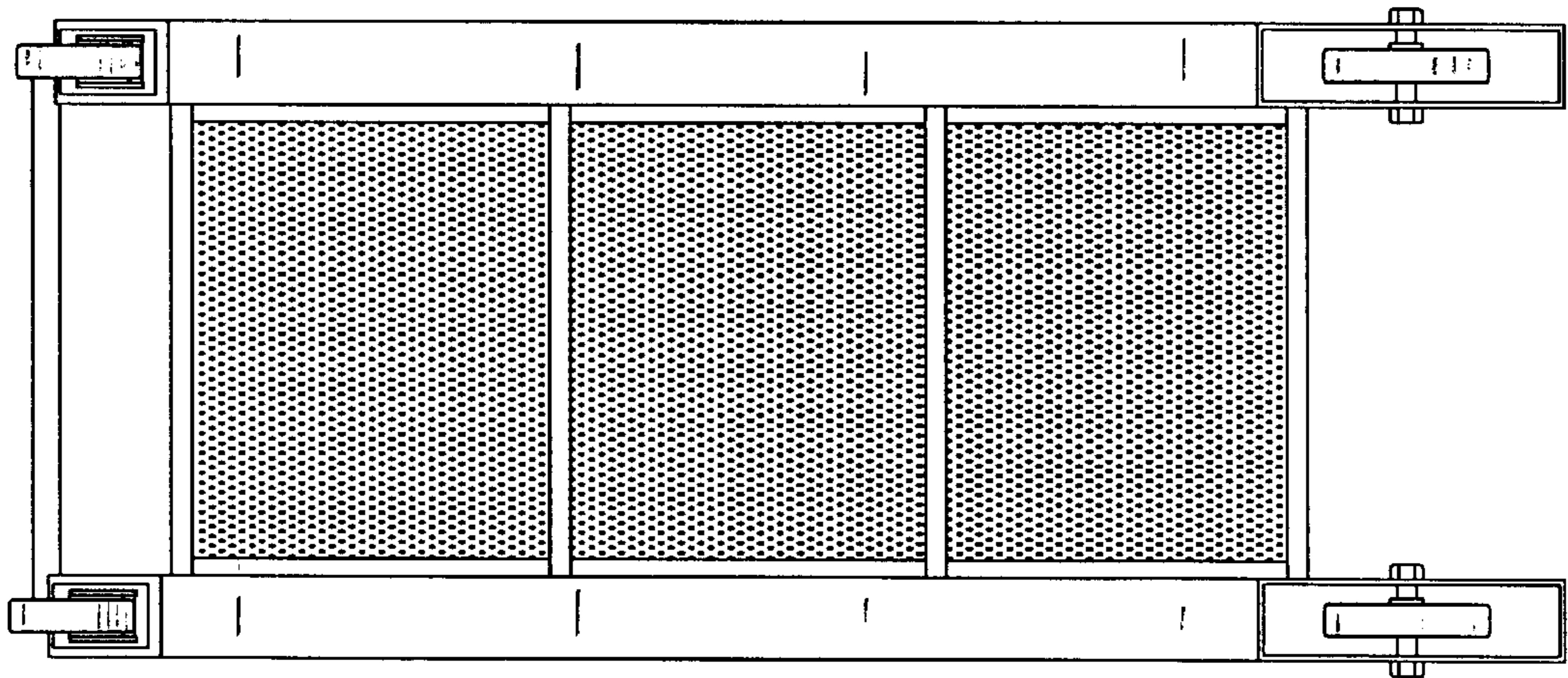


FIG. 7