



US00D481509S

(12) **United States Design Patent**
Perelli

(10) **Patent No.:** **US D481,509 S**

(45) **Date of Patent:** **** Oct. 28, 2003**

(54) **RECYCLING STATION**

(75) Inventor: **Thomas Perelli**, Winchester, VA (US)

(73) Assignee: **Rubbermaid Commercial Products LLC**, Winchester, VA (US)

(**) Term: **14 Years**

(21) Appl. No.: **29/162,621**

(22) Filed: **Jun. 20, 2002**

(51) **LOC (7) Cl.** **09-09**

(52) **U.S. Cl.** **D34/11**

(58) **Field of Search** D34/1, 7; 220/908,
220/908.1, 909, 23.83, 23.86, 23.88

(56) **References Cited**

U.S. PATENT DOCUMENTS

D292,037 S	*	9/1987	Hanifl	D34/7
4,697,771 A	*	10/1987	Majors	248/97
D323,729 S	*	2/1992	Weiland	D34/9
D332,681 S	*	1/1993	Waterson et al.	D34/7
D332,850 S	*	1/1993	Brussing	D34/7
D333,542 S	*	2/1993	McKenzie	D34/9
D339,438 S	*	9/1993	Moran	D34/7

OTHER PUBLICATIONS

Waste Receptacles Recycling, Ecco Design, RPI (1 page).
 Medallion Collection Fiberglass Receptacles, Safco, TSD Products (1 page).
 The Barclay Series, Recycling Fiberglass Receptacles, United (1 page).
 Indoor and Outdoor Containers, Mid point International (3 pages) pp. 6-8.
 Commercial Collection Centers, Waterloo Recycling Systems, Waterloo Industries (1 page).

Recycling Receptacles, Upbeat Inc. (1 page), p. 85.
 Recycling Receptacles, (1 page) p. 6/7.

* cited by examiner

Primary Examiner—Cynthia E. Ramirez
 (74) *Attorney, Agent, or Firm*—Foley & Lardner

(57) **CLAIM**

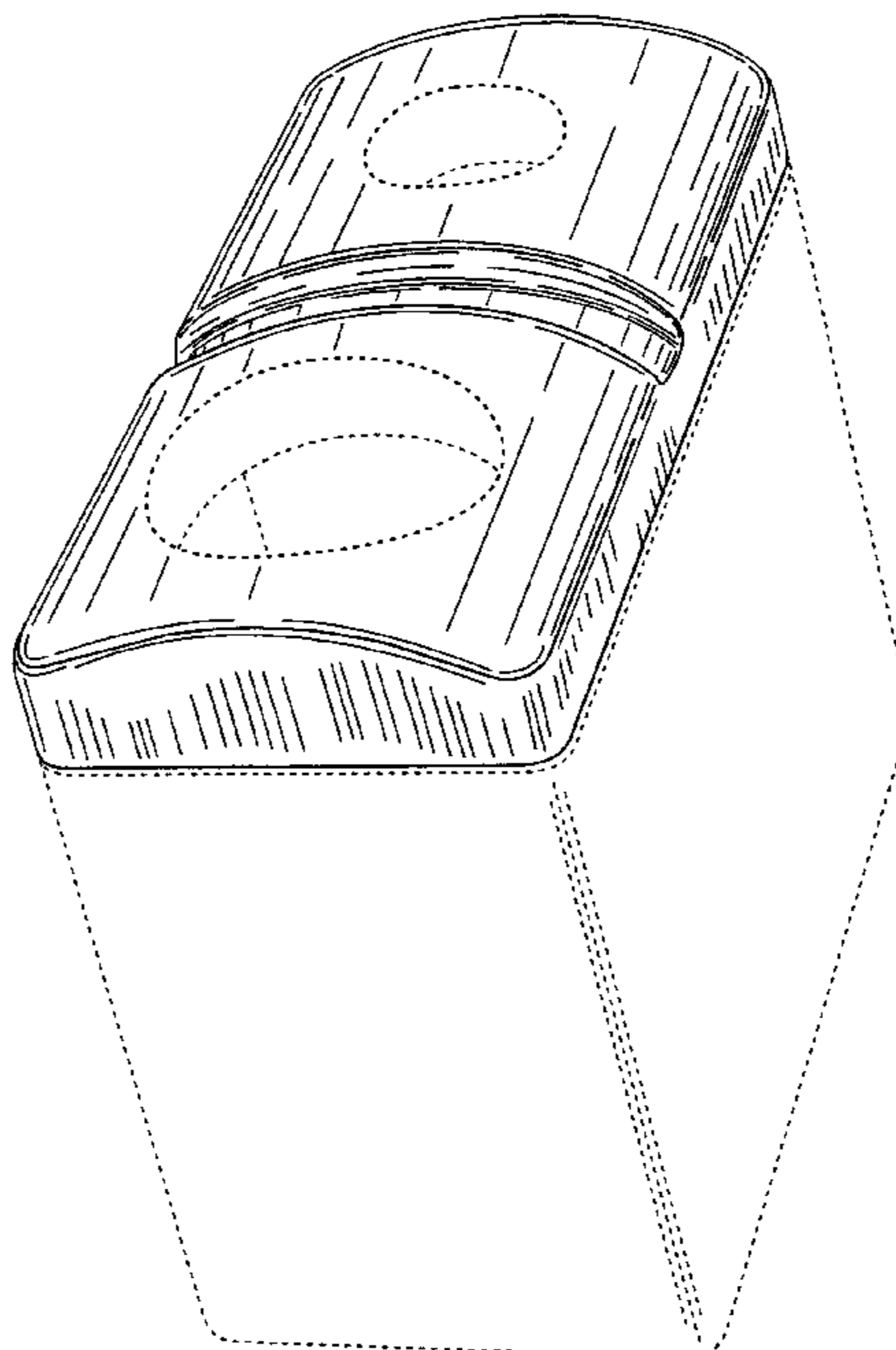
The ornamental design for a recycling station, as shown and described.

DESCRIPTION

FIG. 1 is a top frontal perspective view of a first embodiment of a recycling station according to my new design;
 FIG. 2 is a front view of the embodiment shown in FIG. 1;
 FIG. 3 is a back view of the embodiment shown in FIG. 1;
 FIG. 4 is a bottom view of the embodiment shown in FIG. 1;
 FIG. 5 is a top view of the embodiment shown in FIG. 1;
 FIG. 6 right side view of the embodiment shown in FIG. 1;
 FIG. 7 is a left side view of the embodiment shown in FIG. 1;
 FIG. 8 is a top frontal perspective view of a second embodiment of a recycling station according to my new design;
 FIG. 9 is a front view of the embodiment shown in FIG. 8;
 FIG. 10 is a back view of the embodiment shown in FIG. 8;
 FIG. 11 is a bottom view of the embodiment shown in FIG. 8;
 FIG. 12 is a top view of the embodiment shown in FIG. 8;
 FIG. 13 right side view of the embodiment shown in FIG. 8;
 and,
 FIG. 14 is a left side view of the embodiment shown in FIG. 8.

The broken lines in the drawings are for illustrative purposes only and form no part of the claimed design.

1 Claim, 14 Drawing Sheets



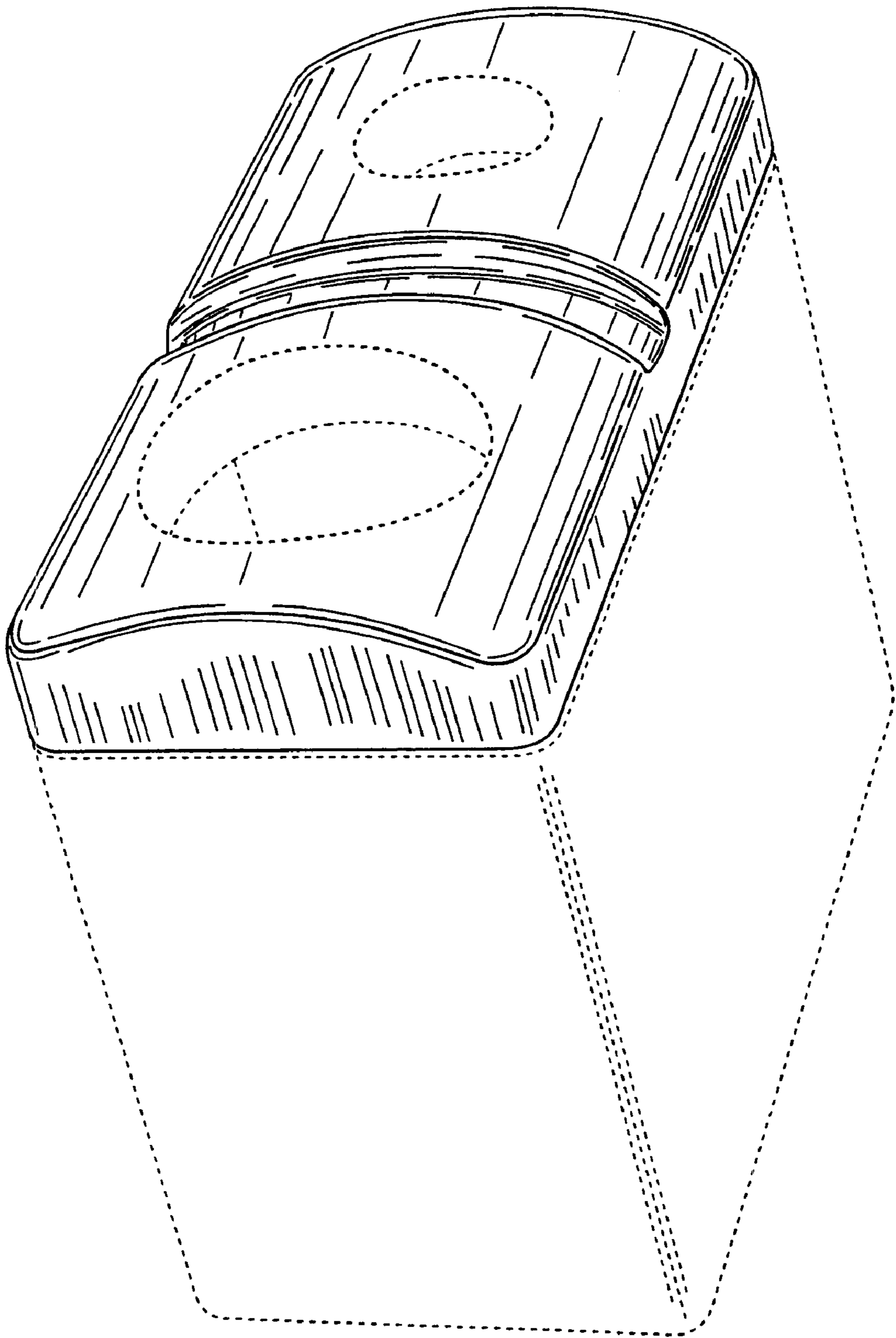


FIG. 1

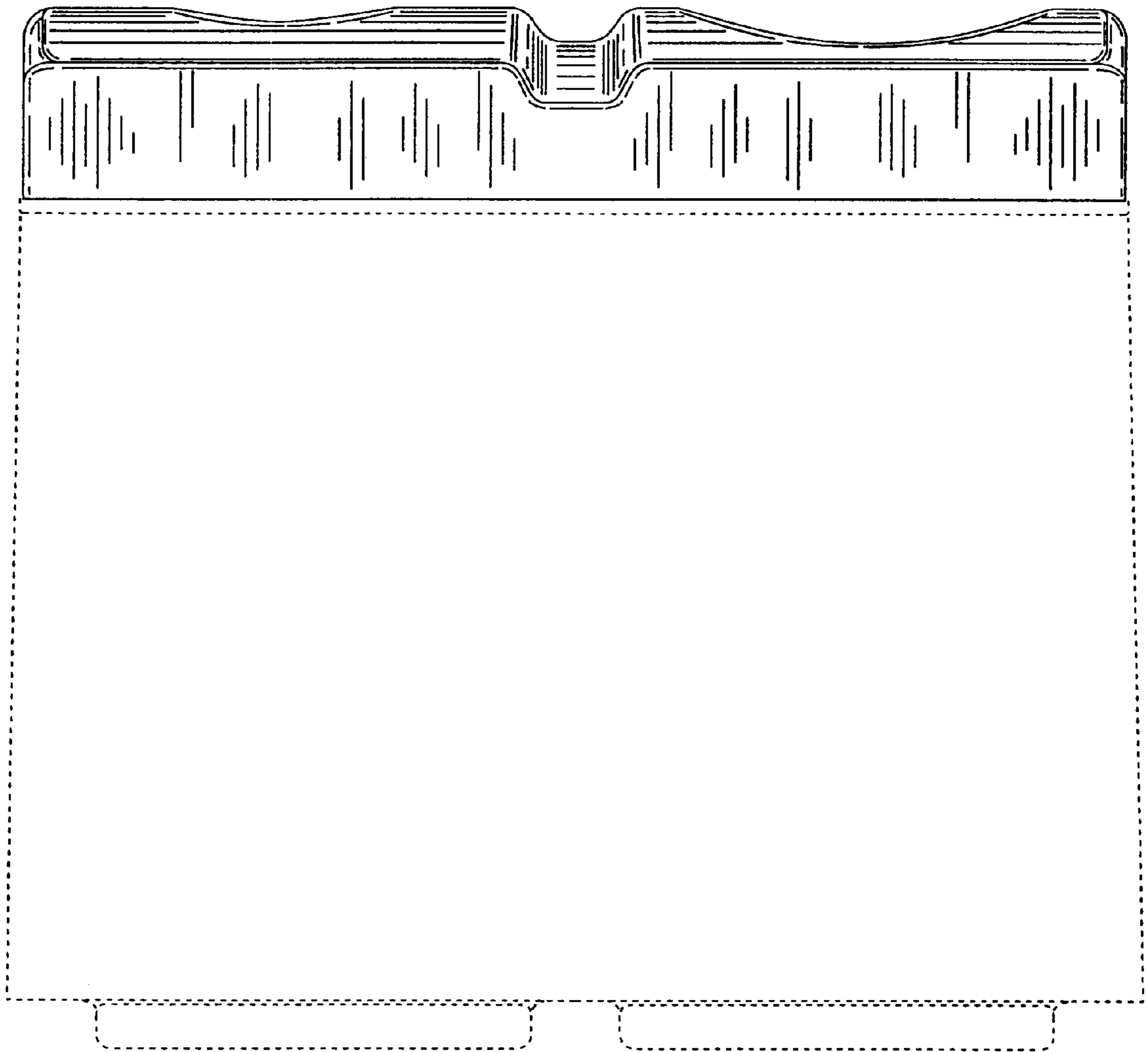


FIG. 2

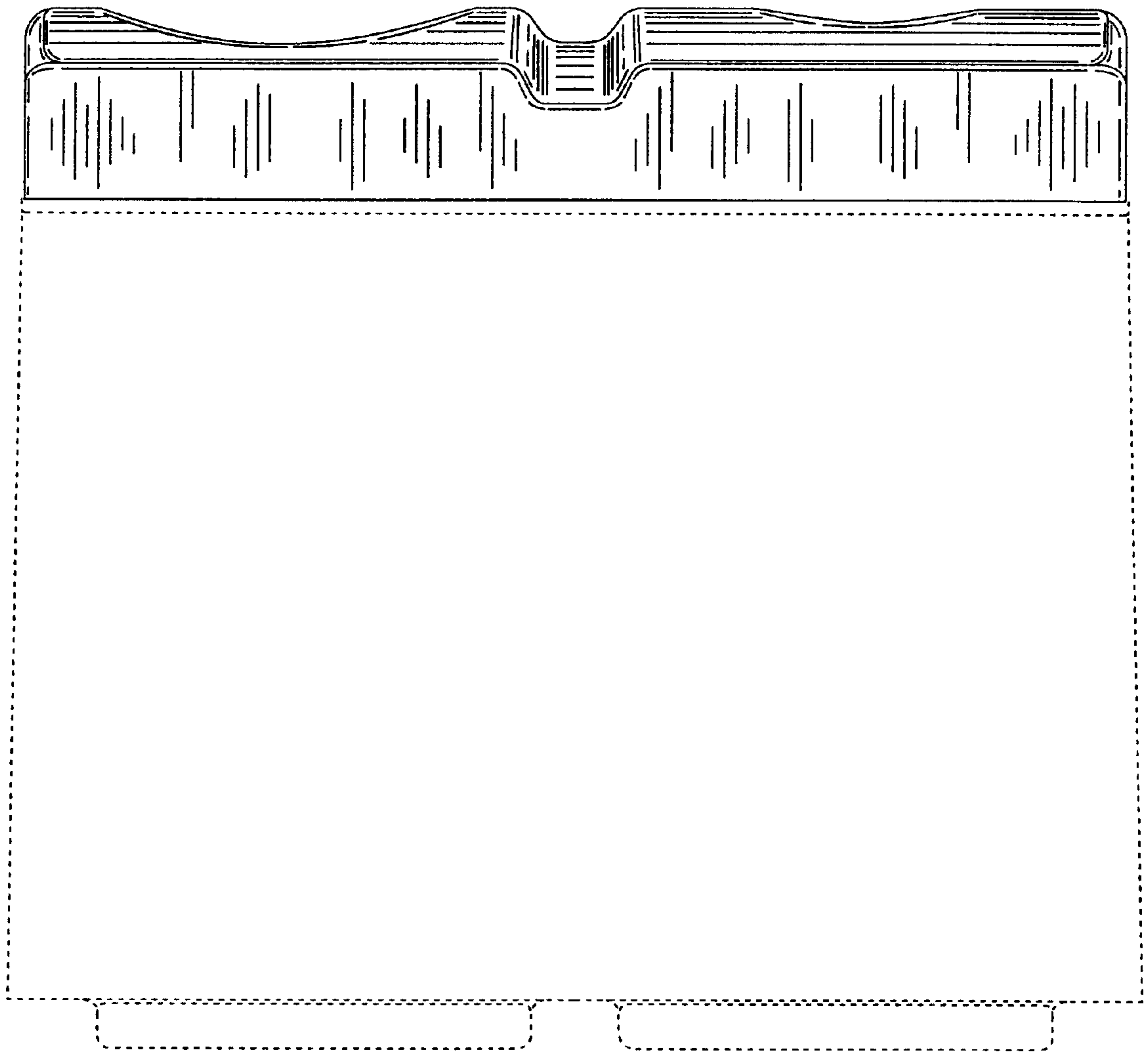


FIG. 3

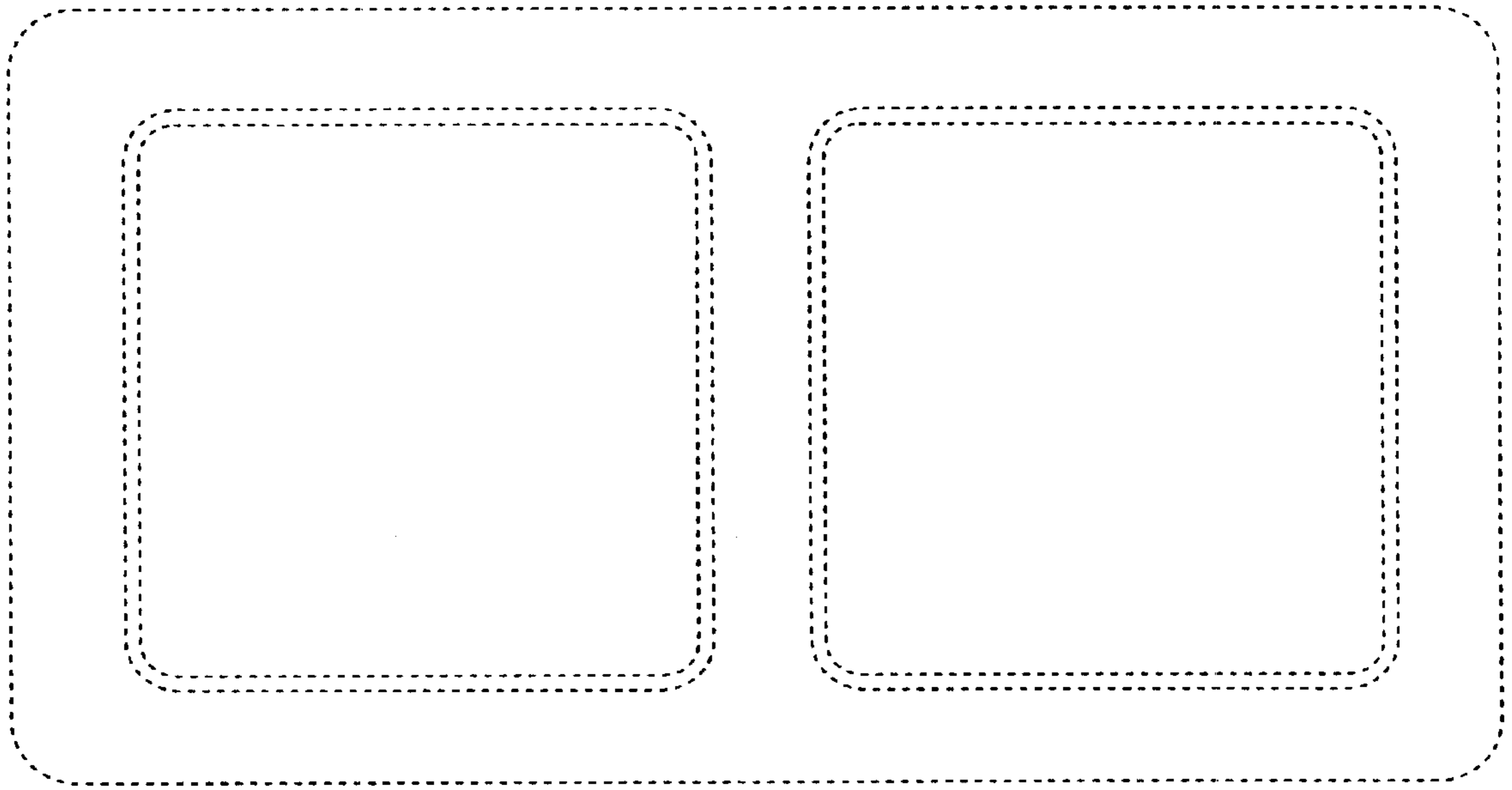


FIG. 4

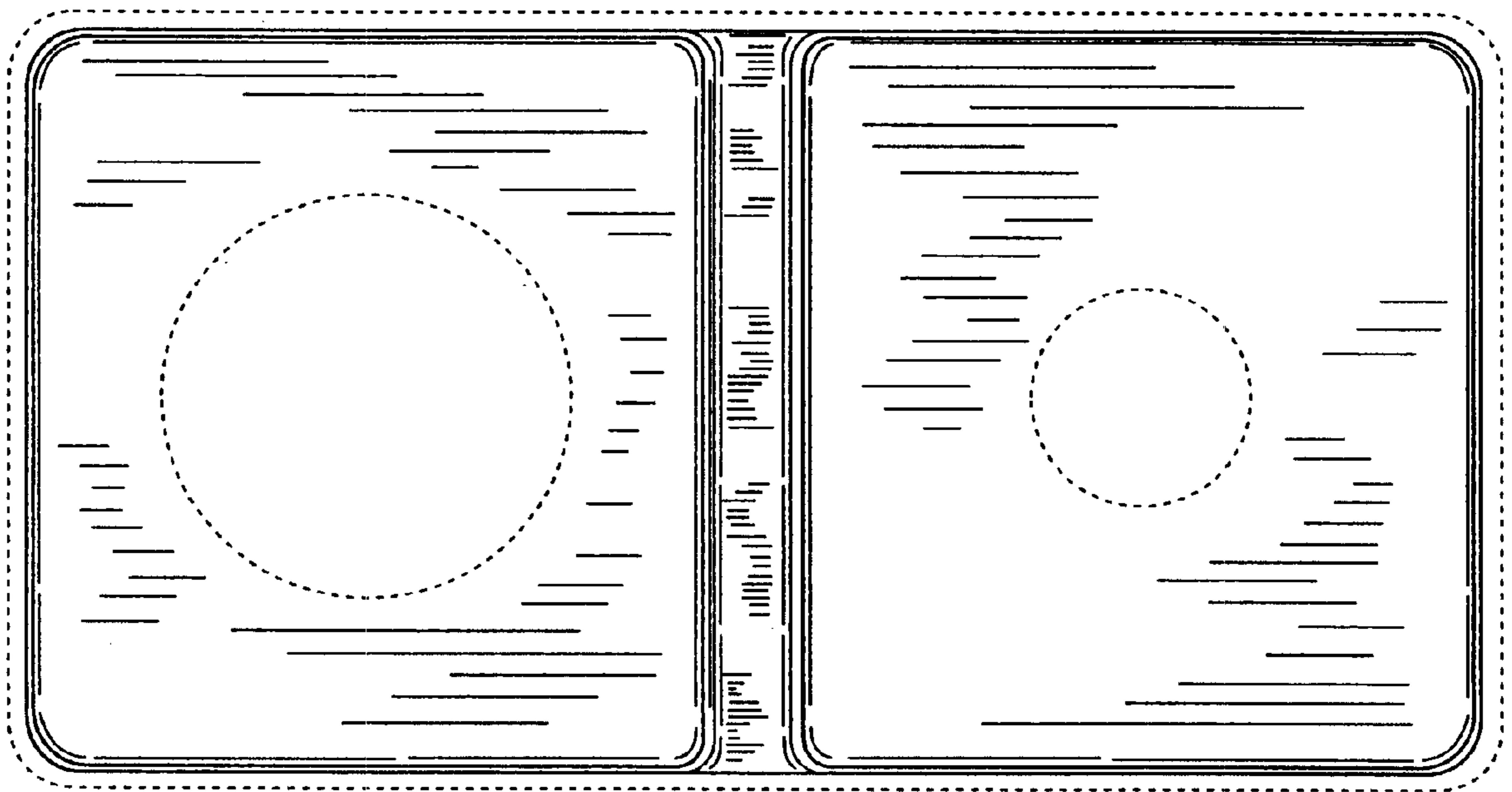


FIG. 5

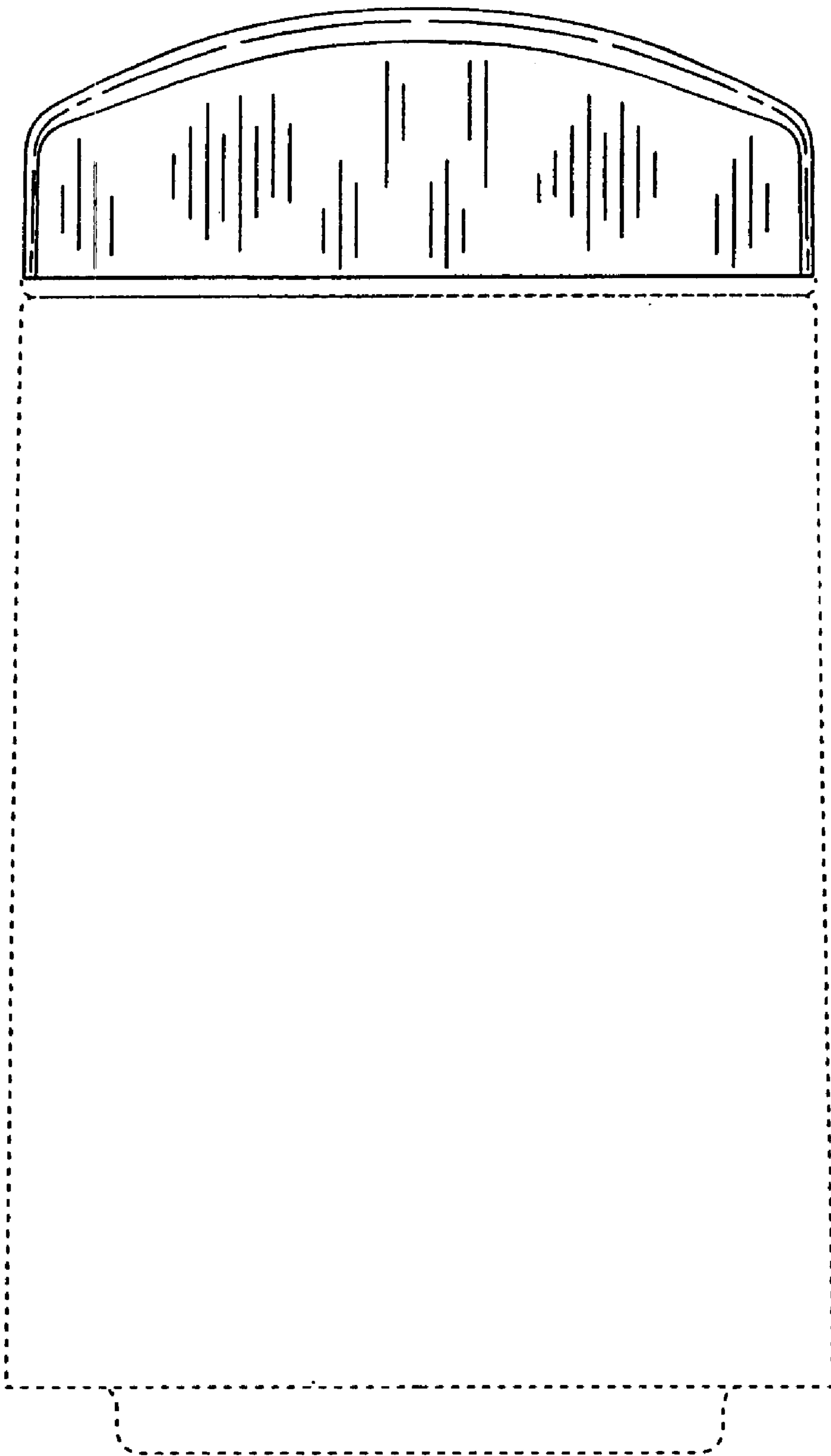


FIG. 6

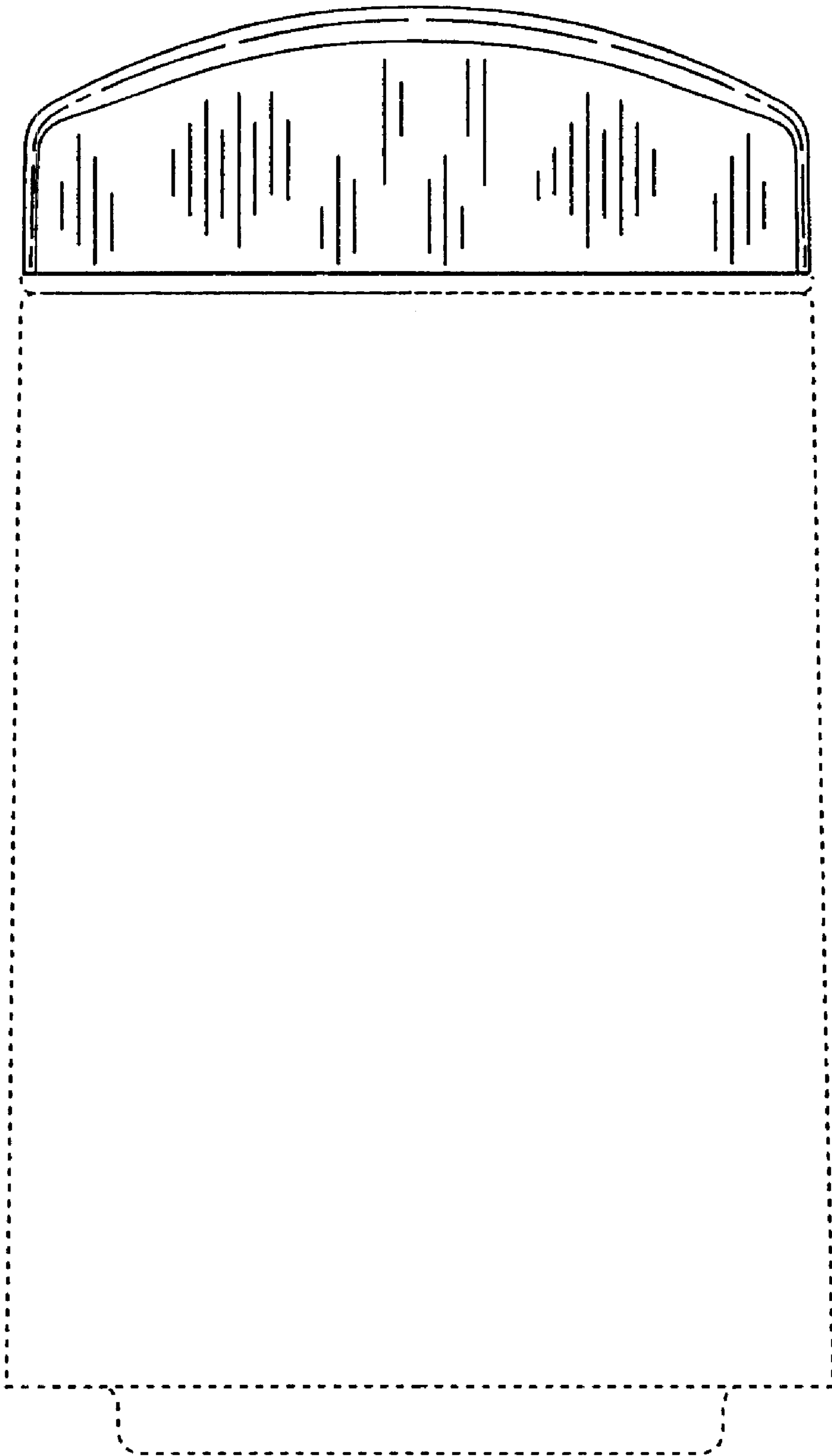


FIG. 7

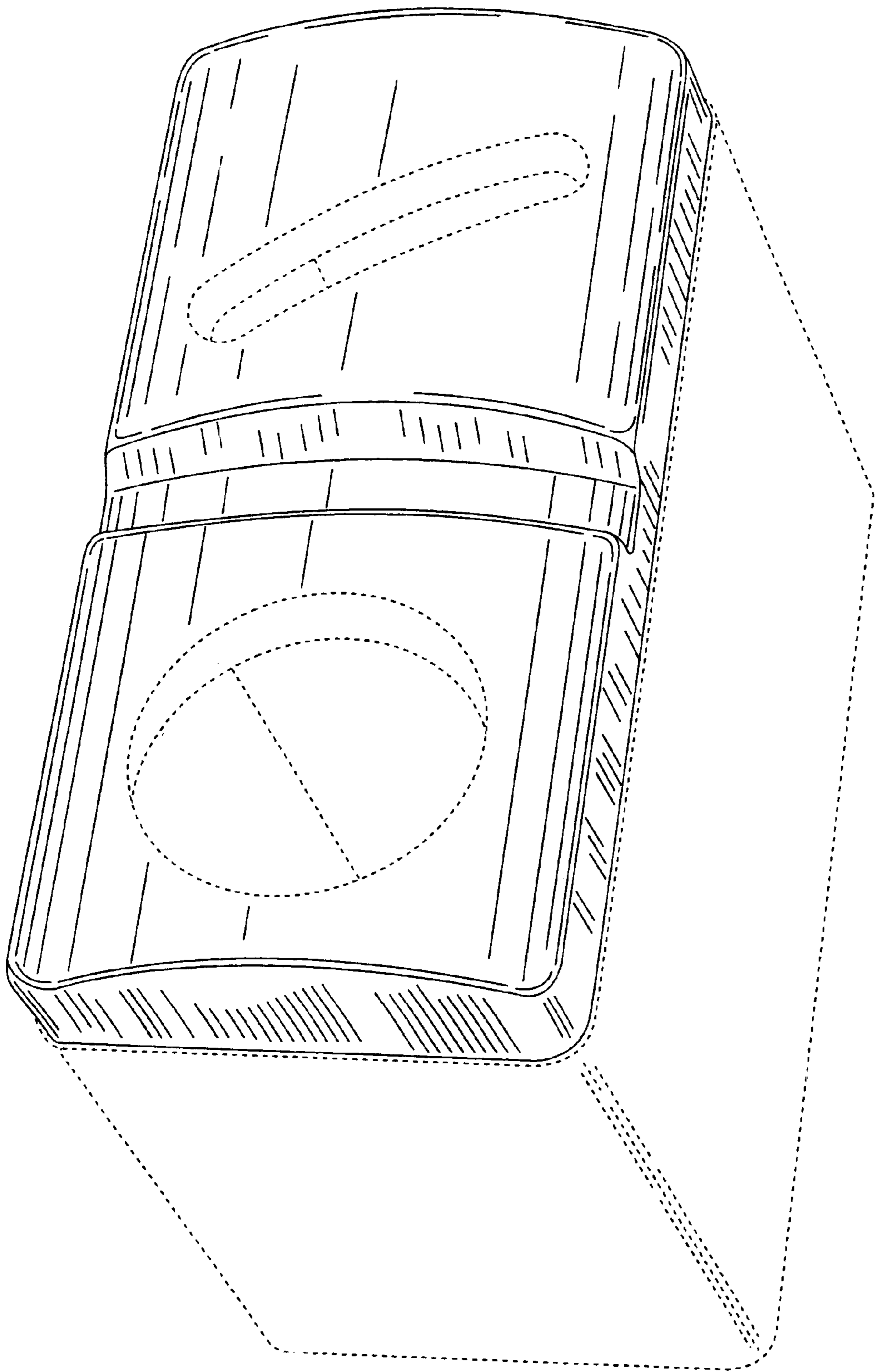


FIG. 8

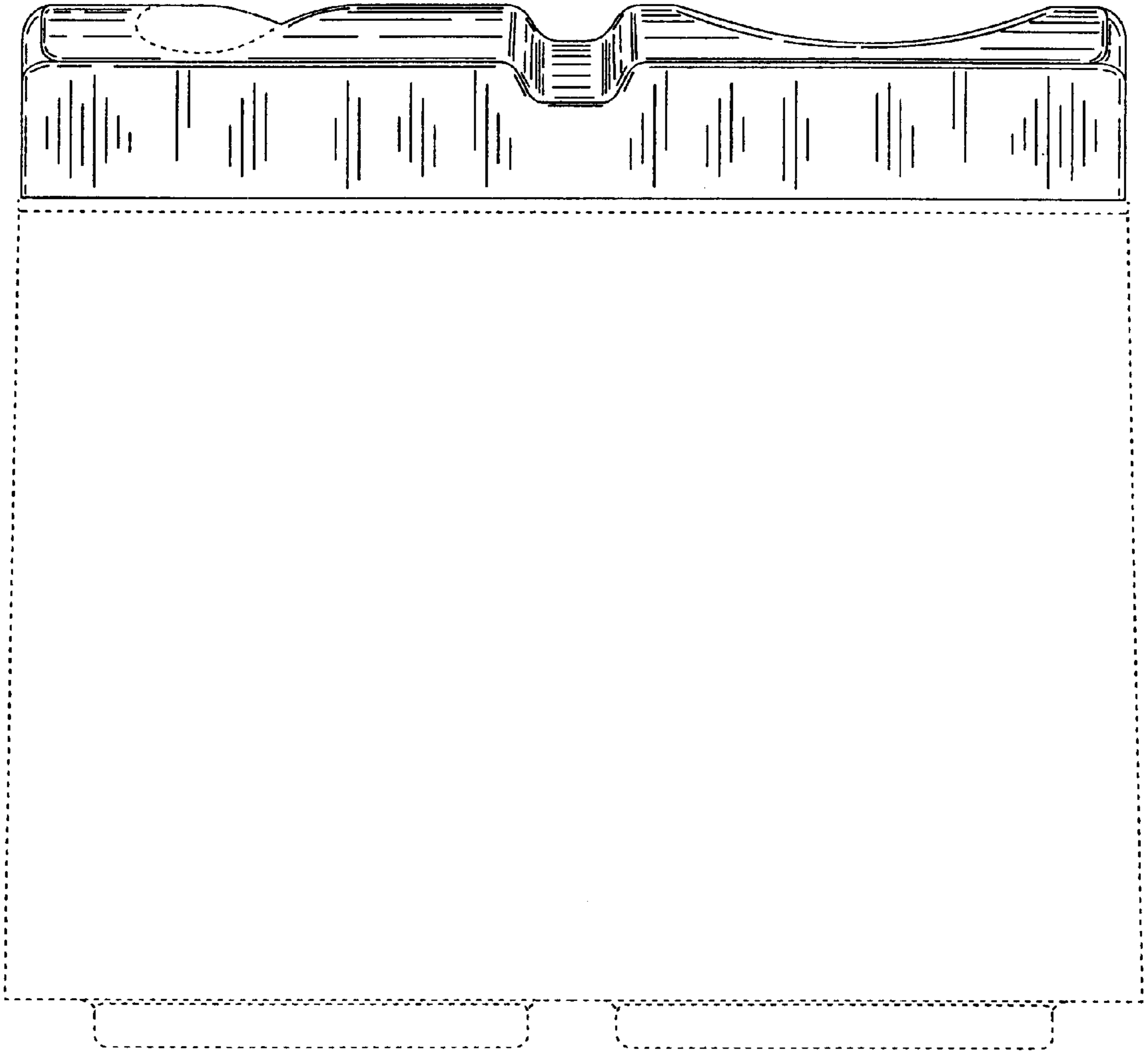


FIG. 9

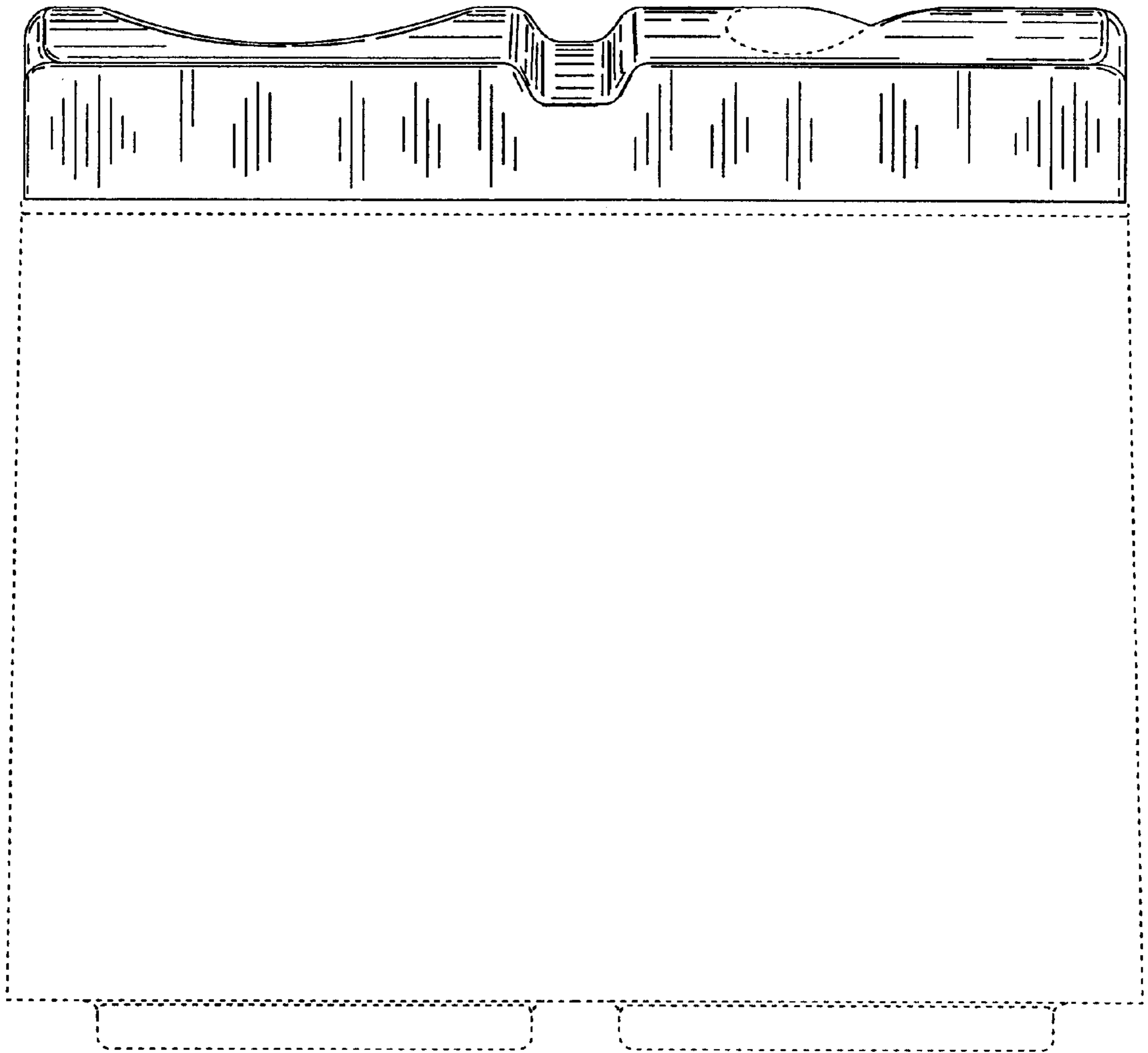


FIG. 10

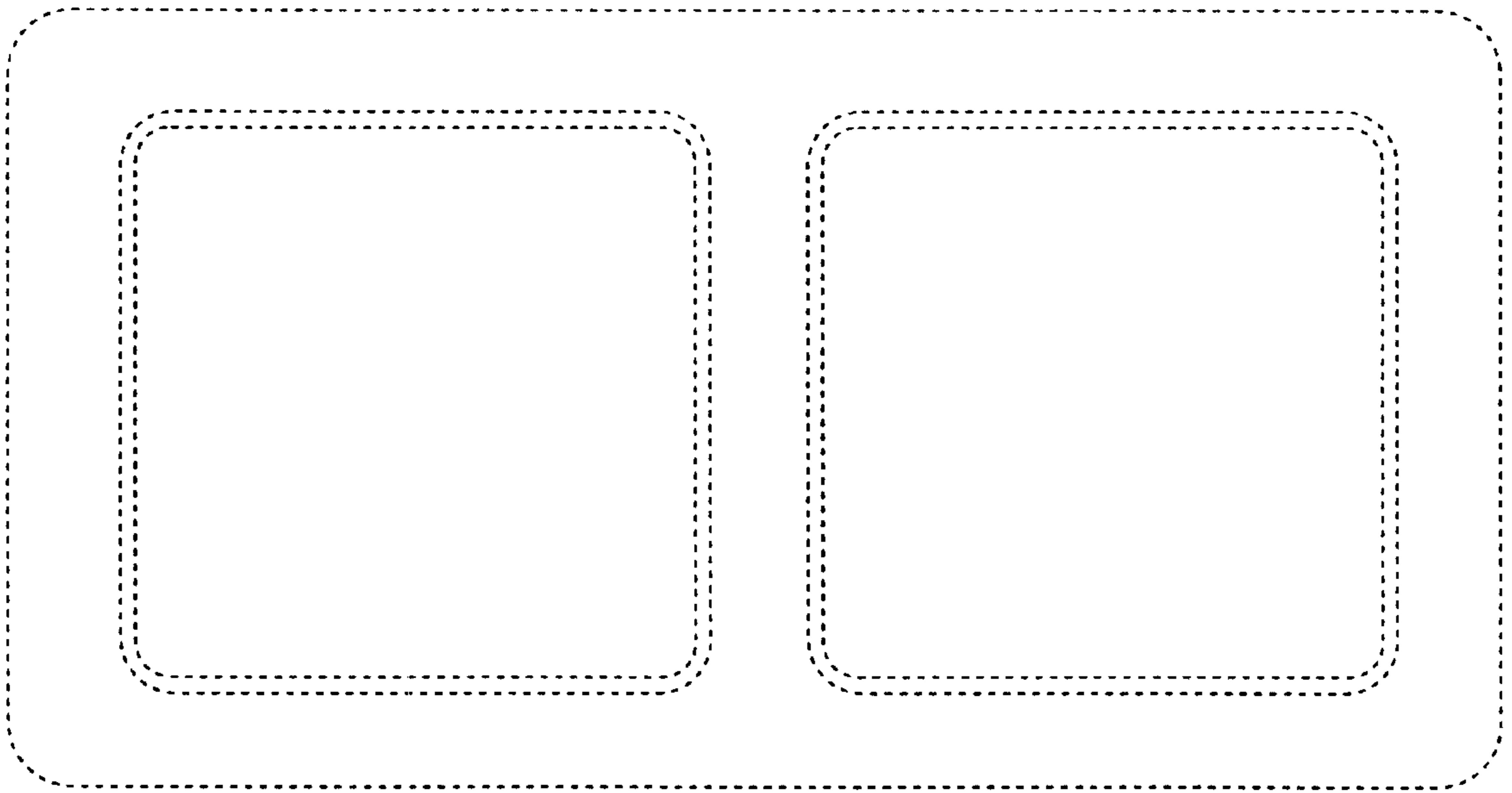


FIG. 11

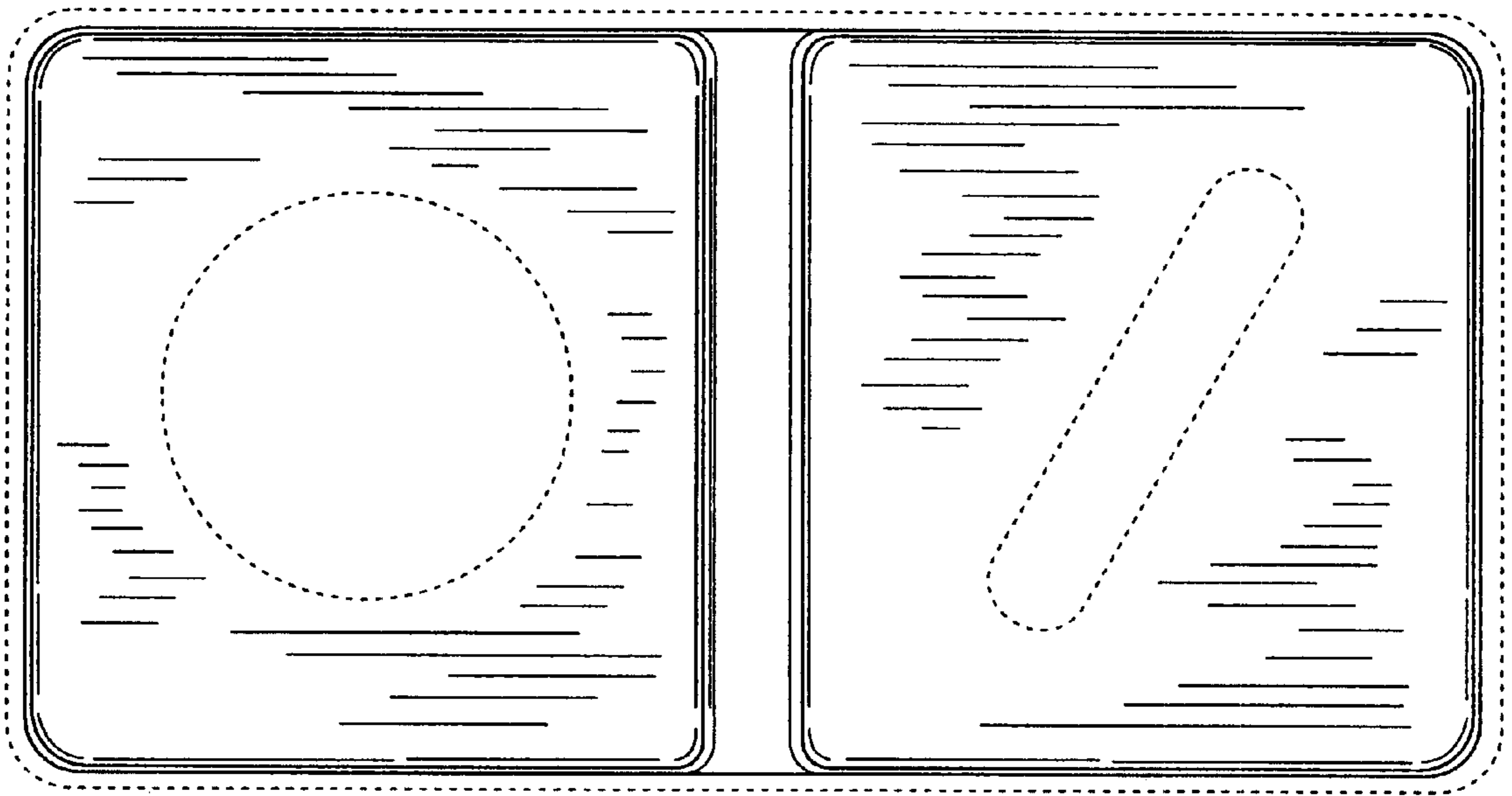


FIG. 12

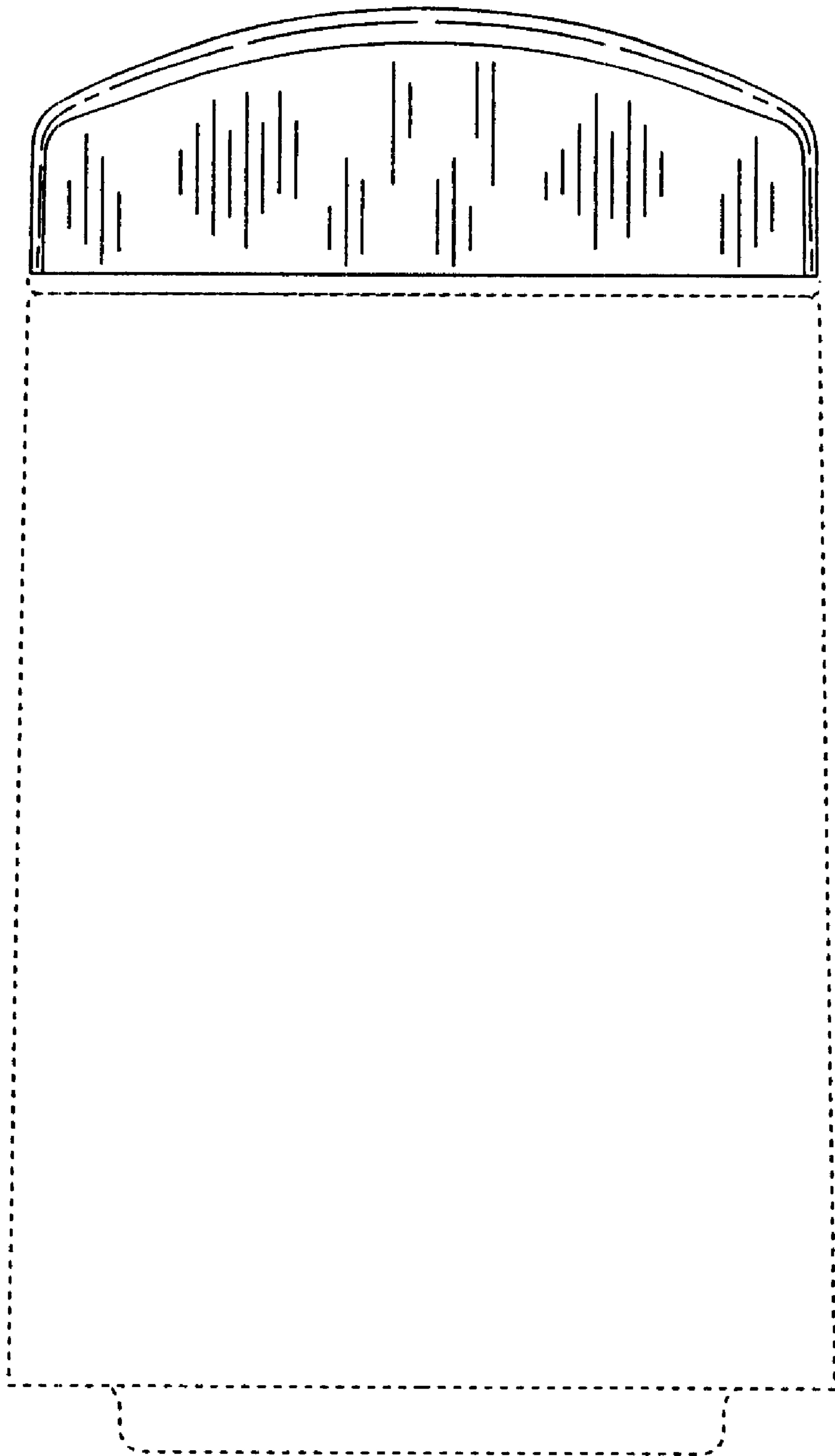


FIG. 13

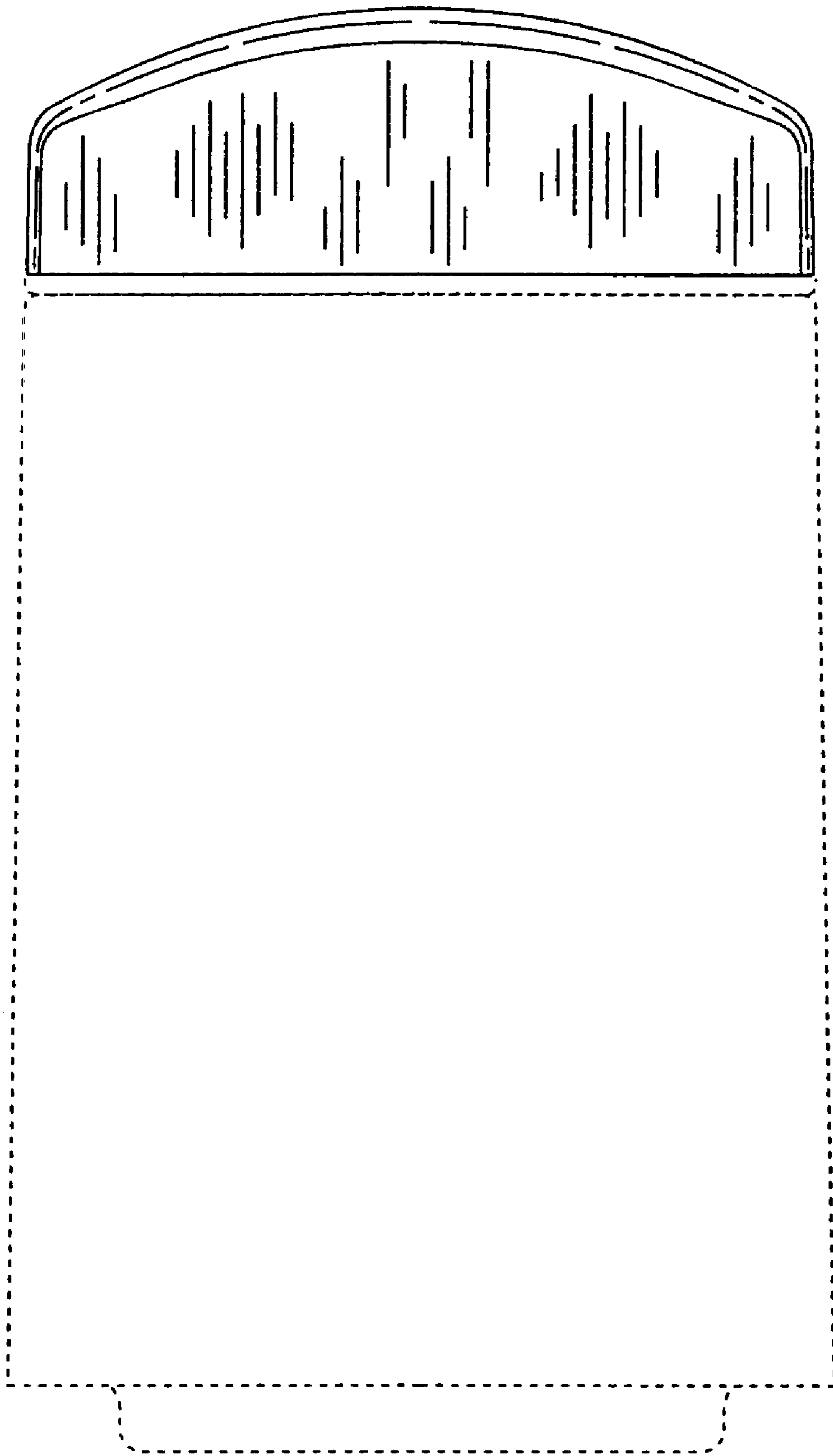


FIG. 14