



US00D481508S

(12) **United States Design Patent**
Wang

(10) **Patent No.:** **US D481,508 S**

(45) **Date of Patent:** **** Oct. 28, 2003**

- (54) **TRASH CAN**
- (75) Inventor: **Huang-Yuan Wang**, Tainan (TW)
- (73) Assignee: **Yuan Min Aluminum Co., Ltd.**,
Tainan (TW)
- (**) Term: **14 Years**
- (21) Appl. No.: **29/170,393**
- (22) Filed: **Nov. 6, 2002**
- (51) **LOC (7) Cl.** **09-09**
- (52) **U.S. Cl.** **D34/9**
- (58) **Field of Search** D34/1, 7, 8, 9;
220/675, 913, 908, 262, 263, 264, 909

- D447,611 S * 9/2001 Lin D34/9
- D453,600 S * 2/2002 Lin D34/9
- 6,345,725 B1 * 2/2002 Lin 220/263
- D454,239 S * 3/2002 Lin D34/9
- D473,360 S * 4/2003 Fuller D34/7

* cited by examiner

Primary Examiner—Cynthia E. Ramirez
(74) *Attorney, Agent, or Firm*—Rosenberg, Klein & Lee

(57) **CLAIM**

The ornamental design for a trash can, as shown and described.

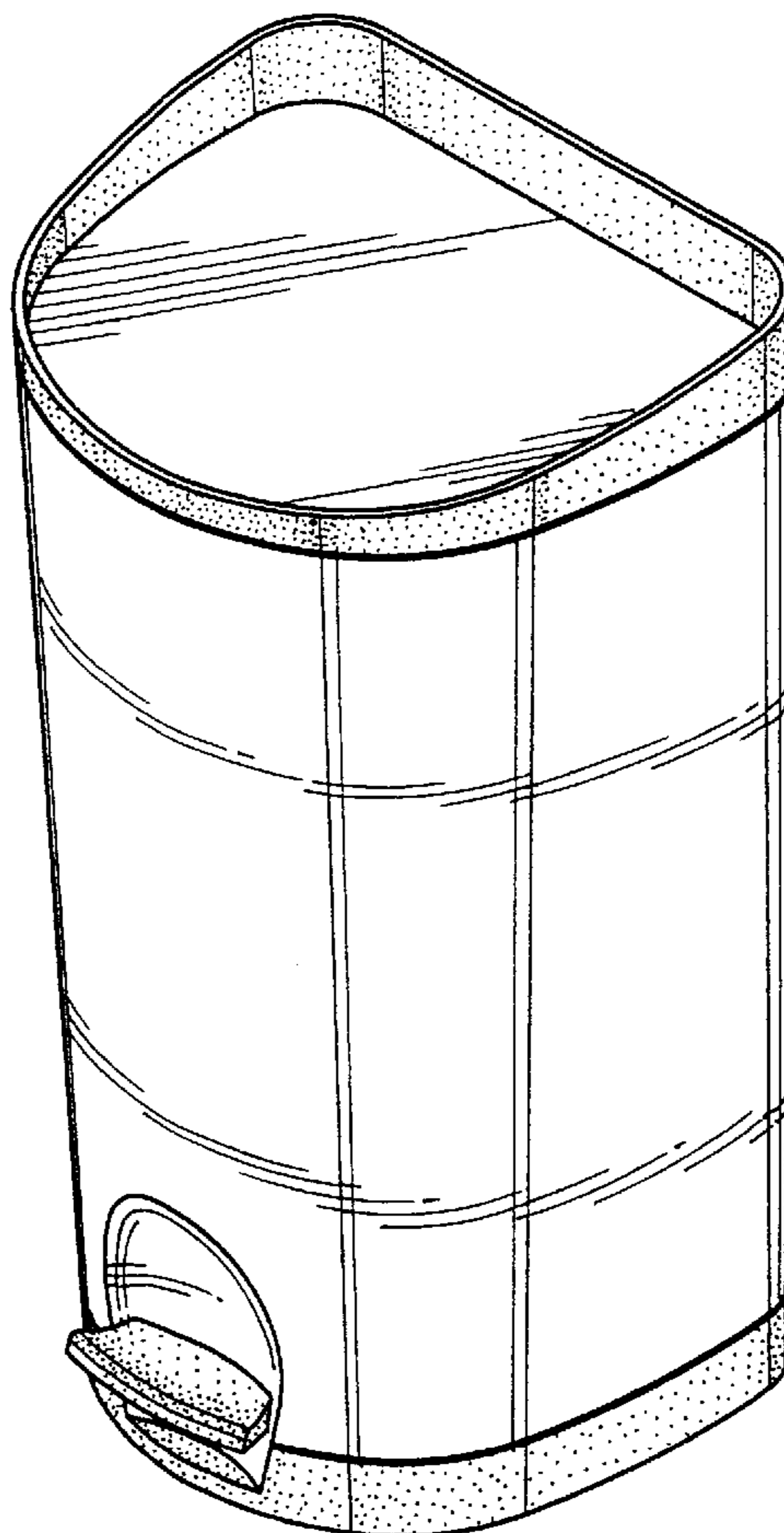
DESCRIPTION

FIG. 1 is a perspective view of a trash can showing my new design;
FIG. 2 is a front elevational view thereof;
FIG. 3 is a rear elevational view thereof;
FIG. 4 is a left side elevational view thereof;
FIG. 5 is a right side elevational view thereof;
FIG. 6 is a top plan view thereof; and,
FIG. 7 is a bottom plan view thereof.

(56) **References Cited**
U.S. PATENT DOCUMENTS

- 1,966,323 A * 7/1934 Von Elm 220/263
- D108,642 S * 3/1938 Geibel D34/9
- 2,246,975 A * 6/1941 Geibel 220/23.87
- 5,249,693 A * 10/1993 Gillispie et al. 220/263
- D343,486 S * 1/1994 Kimport D34/1.1
- D435,951 S * 1/2001 Yang et al. D34/9

1 Claim, 3 Drawing Sheets



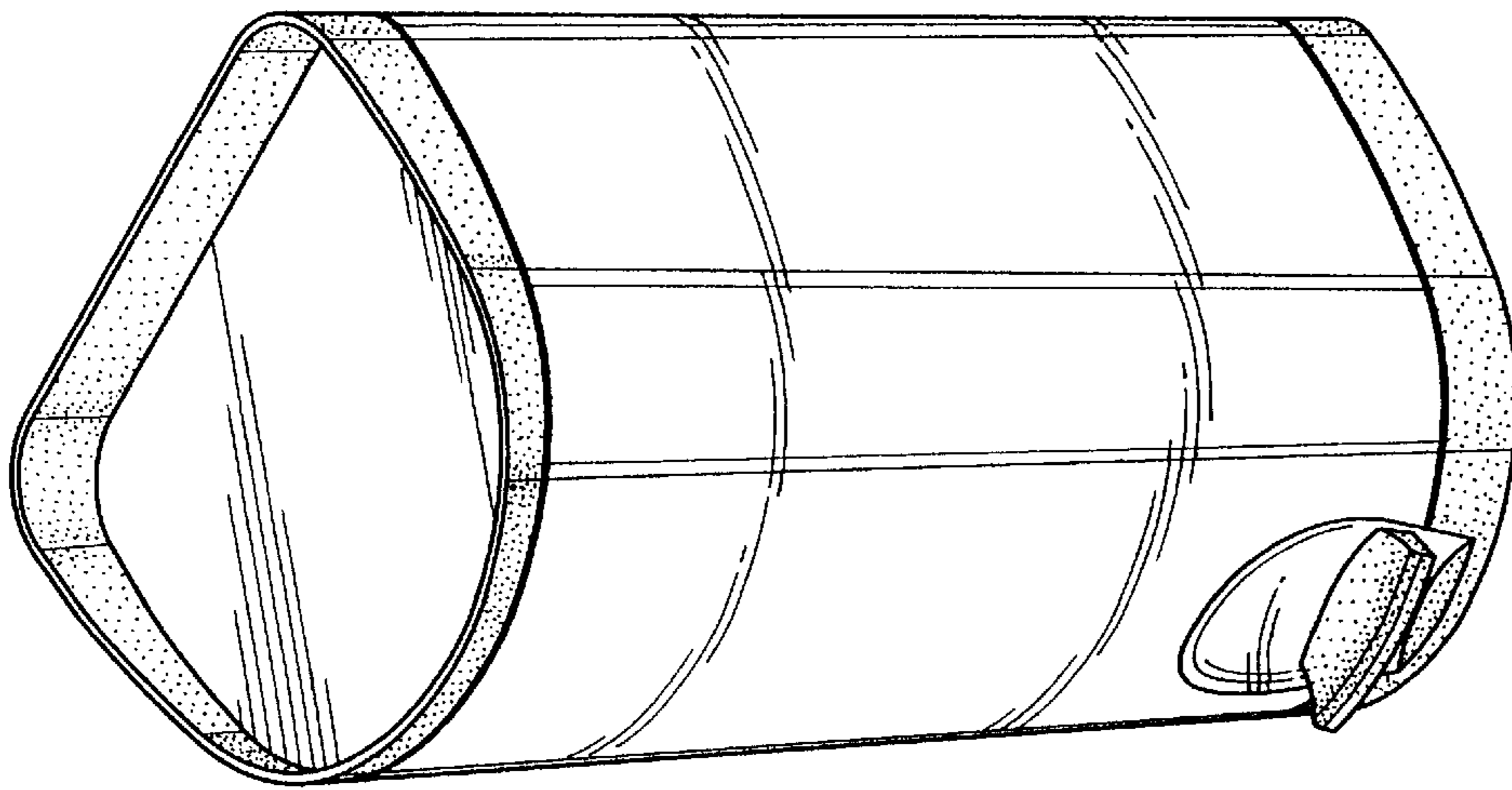


FIG. 1

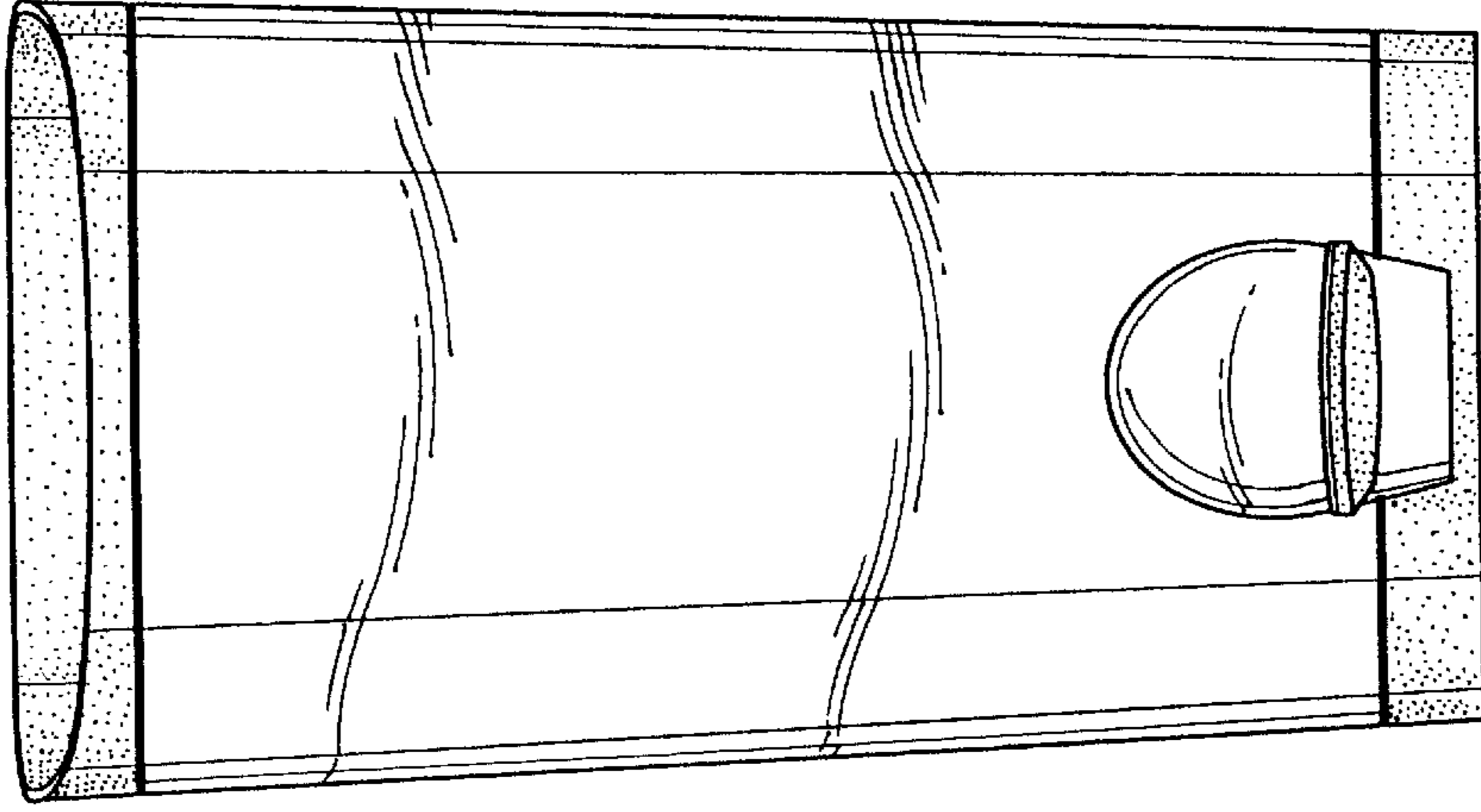


FIG. 2

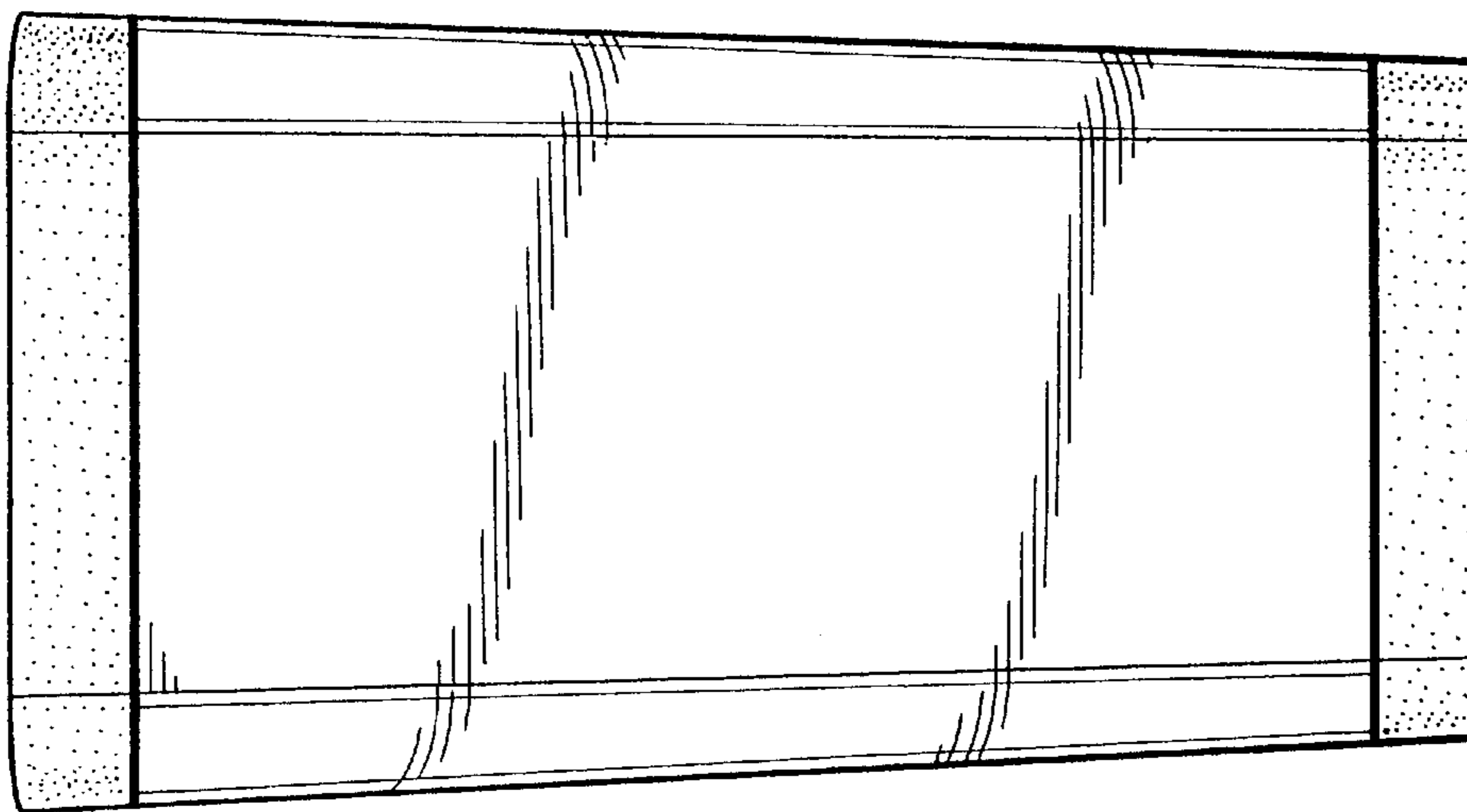


FIG. 3

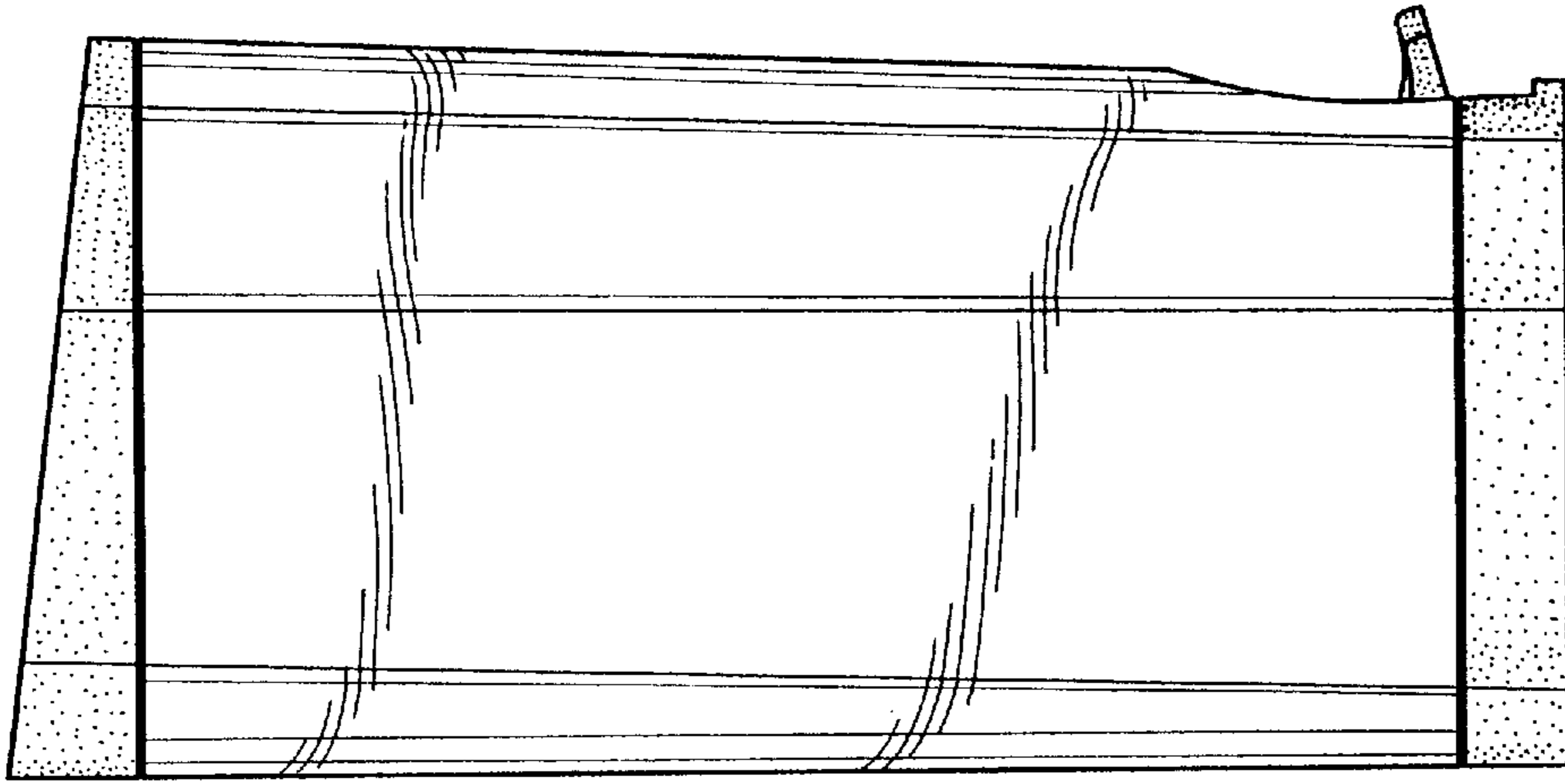


FIG. 4

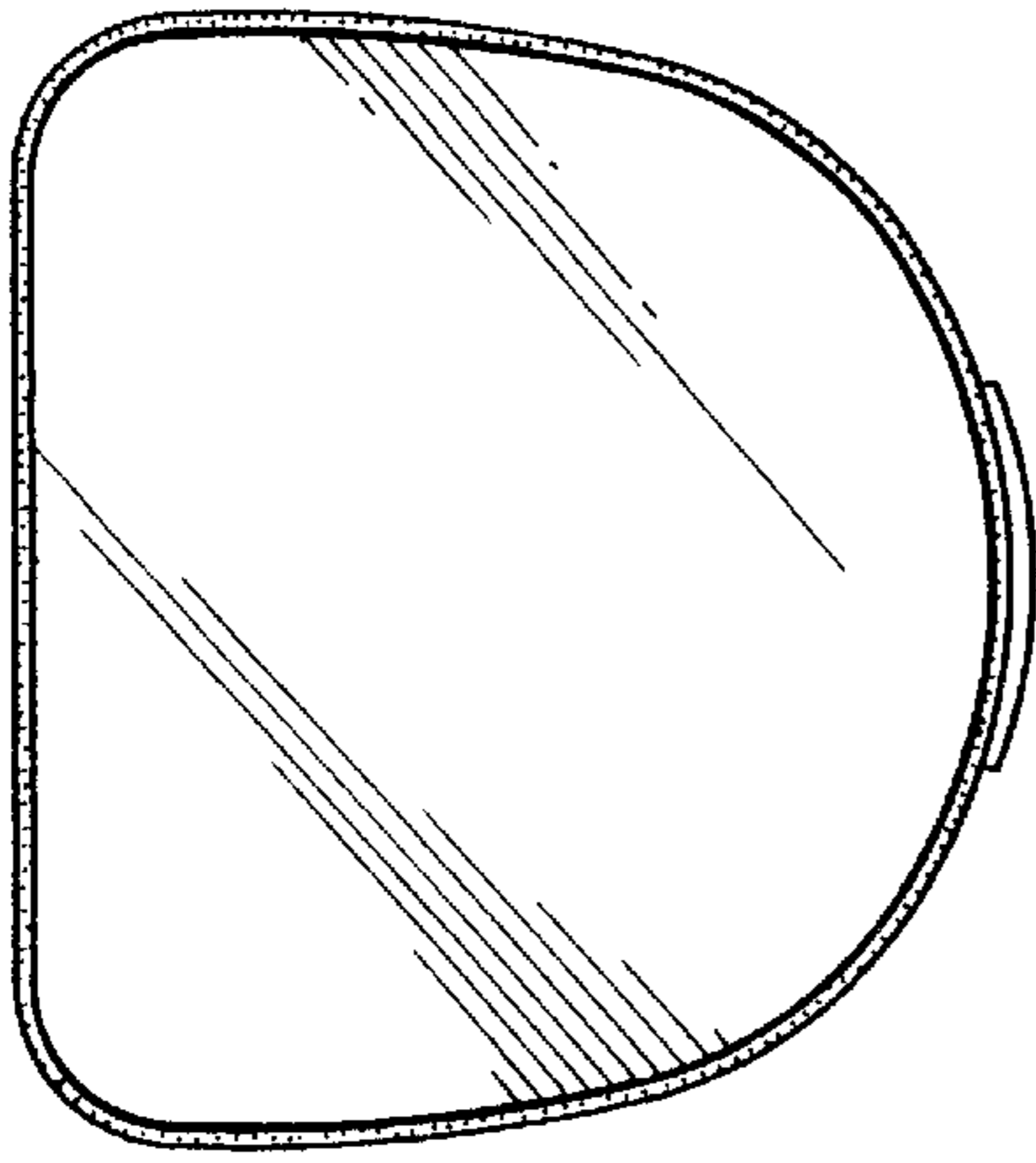


FIG. 6

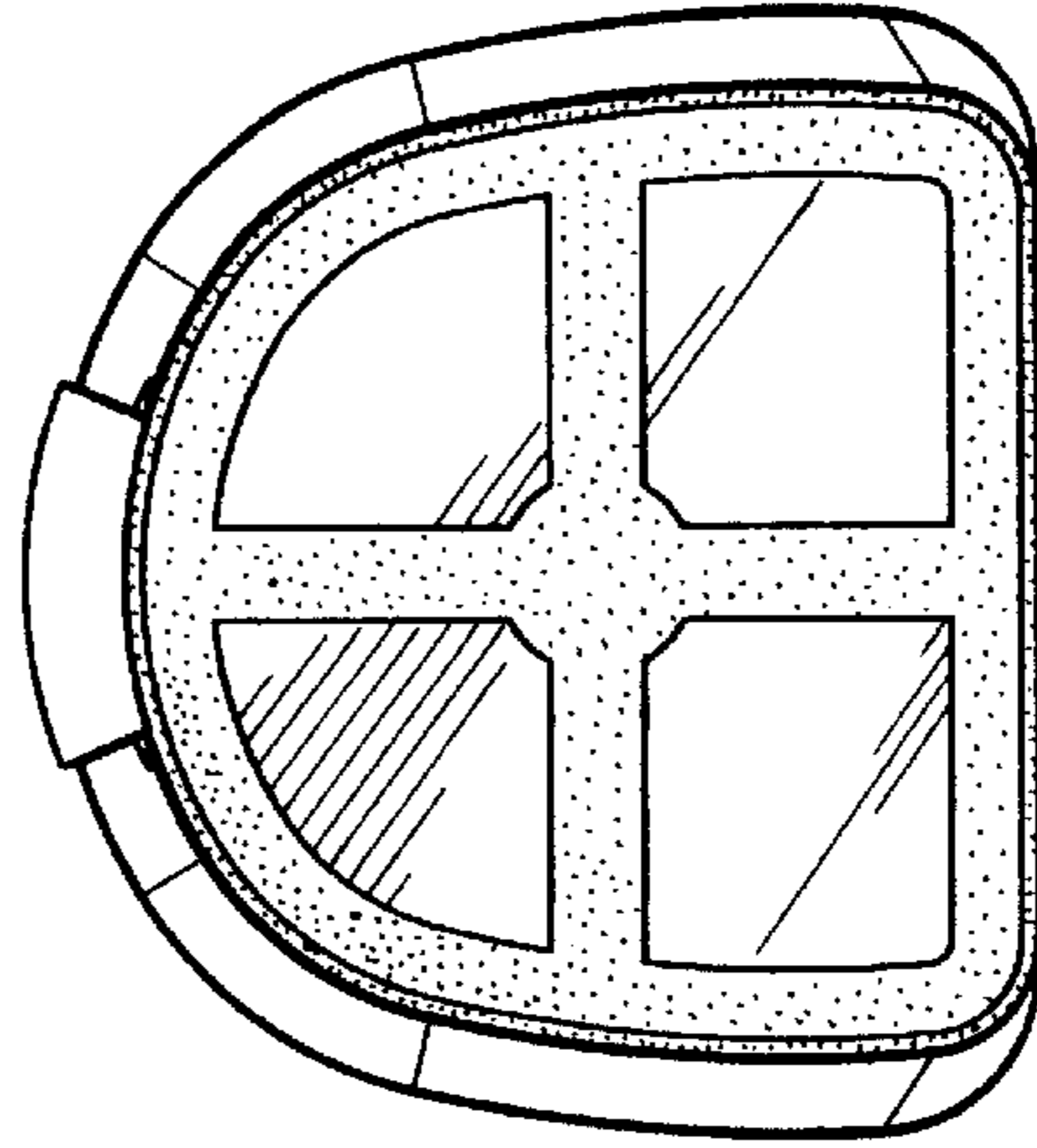


FIG. 7

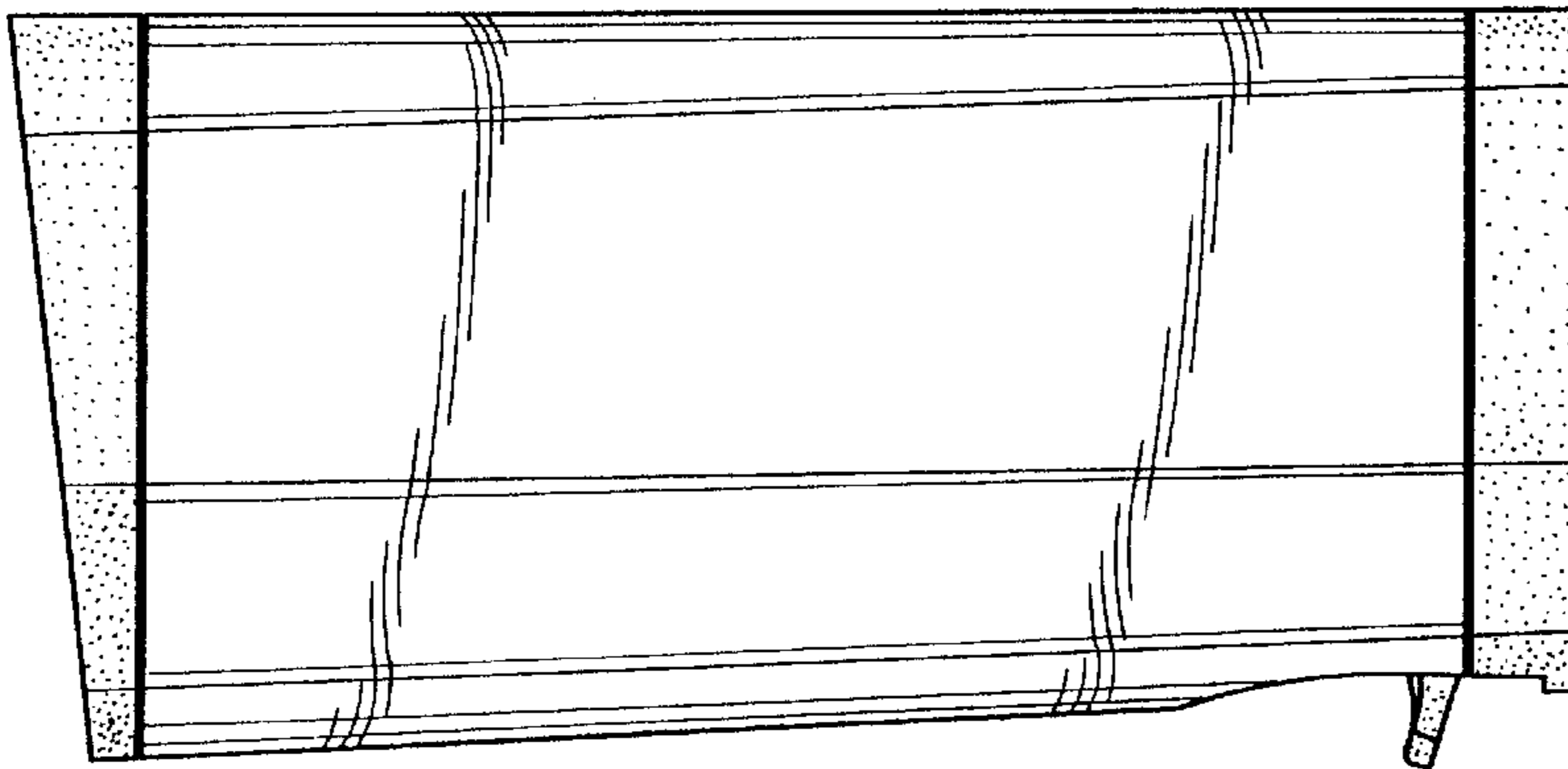


FIG. 5