



US00D481506S

(12) **United States Design Patent**
Kells, Jr.

(10) **Patent No.:** **US D481,506 S**

(45) **Date of Patent:** **** Oct. 28, 2003**

(54) **BAG HOLDER**

(75) **Inventor:** **Thomas J. Kells, Jr.**, 480 Hickory Walk, Marietta, GA (US) 30064

(73) **Assignee:** **Thomas J. Kells, Jr.**, Marietta, GA (US)

(**) **Term:** **14 Years**

(21) **Appl. No.:** **29/168,854**

(22) **Filed:** **Oct. 10, 2002**

(51) **LOC (7) Cl.** **09-09**

(52) **U.S. Cl.** **D34/6**

(58) **Field of Search** D34/1, 5, 6, 7, D34/8, 9, 10, 11; 248/95, 97, 99, 100, 101

(56) **References Cited**

U.S. PATENT DOCUMENTS

2,759,695	A	*	8/1956	Berner et al.	248/95
3,352,520	A	*	11/1967	Bumgarner et al.	248/99
3,426,958	A	*	2/1969	Gore	383/11
3,697,030	A	*	10/1972	Schultz	294/1.1
4,787,584	A	*	11/1988	Palmer	248/99
4,787,753	A	*	11/1988	Barnhart	383/33
4,955,566	A	*	9/1990	Bolich	248/101
5,183,339	A	*	2/1993	Williams	383/33
D364,256	S	*	11/1995	Breen et al.	D34/10
5,570,862	A		11/1996	Nugent		
D386,867	S	*	11/1997	Clark	D34/10
5,718,400	A		2/1998	Dwy		
5,738,315	A		4/1998	Kent		

5,913,496	A	*	6/1999	Valdez	248/99
6,003,820	A		12/1999	Baldonado et al.		
D481,653			1/2000	Kent, Jr.		
6,030,010	A	*	2/2000	Graeff	294/1.1
D449,912	S	*	10/2001	Henriksson et al.	D34/6
6,520,554	B2	*	2/2003	Ditzik	294/1.1

* cited by examiner

Primary Examiner—Cynthia E. Ramirez
(74) *Attorney, Agent, or Firm*—Powell, Goldstein, Frazier & Murphy LLP; Jason A. Bernstein

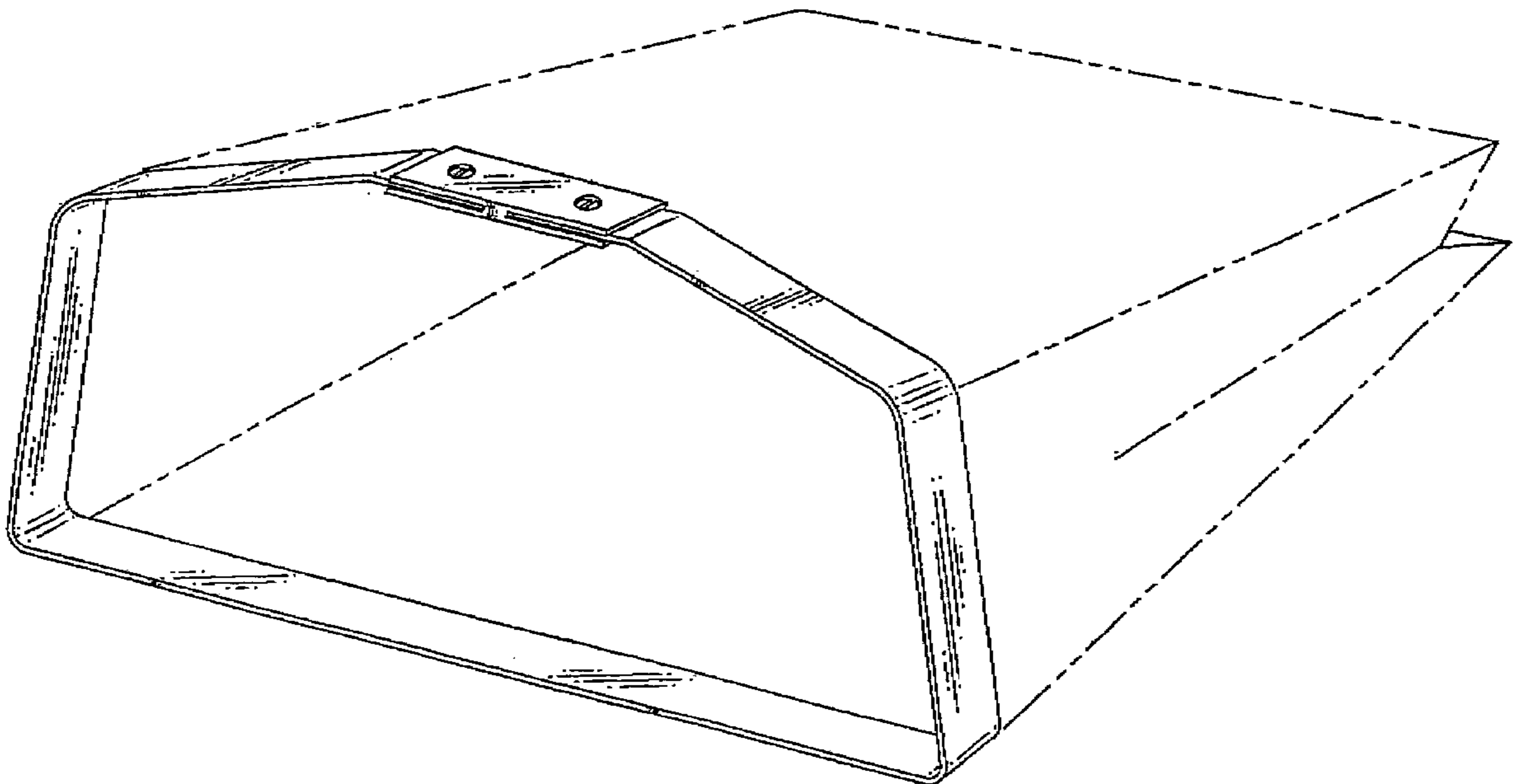
(57) **CLAIM**

The ornamental design for my bag holder, as shown and described.

DESCRIPTION

FIG. 1 is a perspective view of a first embodiment of my bag holder;
FIG. 2 is a top plan view thereof;
FIG. 3 is a side elevation view thereof;
FIG. 4 is a front side elevation view thereof;
FIG. 5 is a rear side elevation view thereof;
FIG. 6 is a perspective view of a second embodiment of my bag holder;
FIG. 7 is a top plan view thereof;
FIG. 8 is a side elevation view thereof;
FIG. 9 is a front side elevation view thereof;
FIG. 10 is a rear side elevation view thereof; and,
FIG. 11 is the other side elevation view thereof.

1 Claim, 4 Drawing Sheets



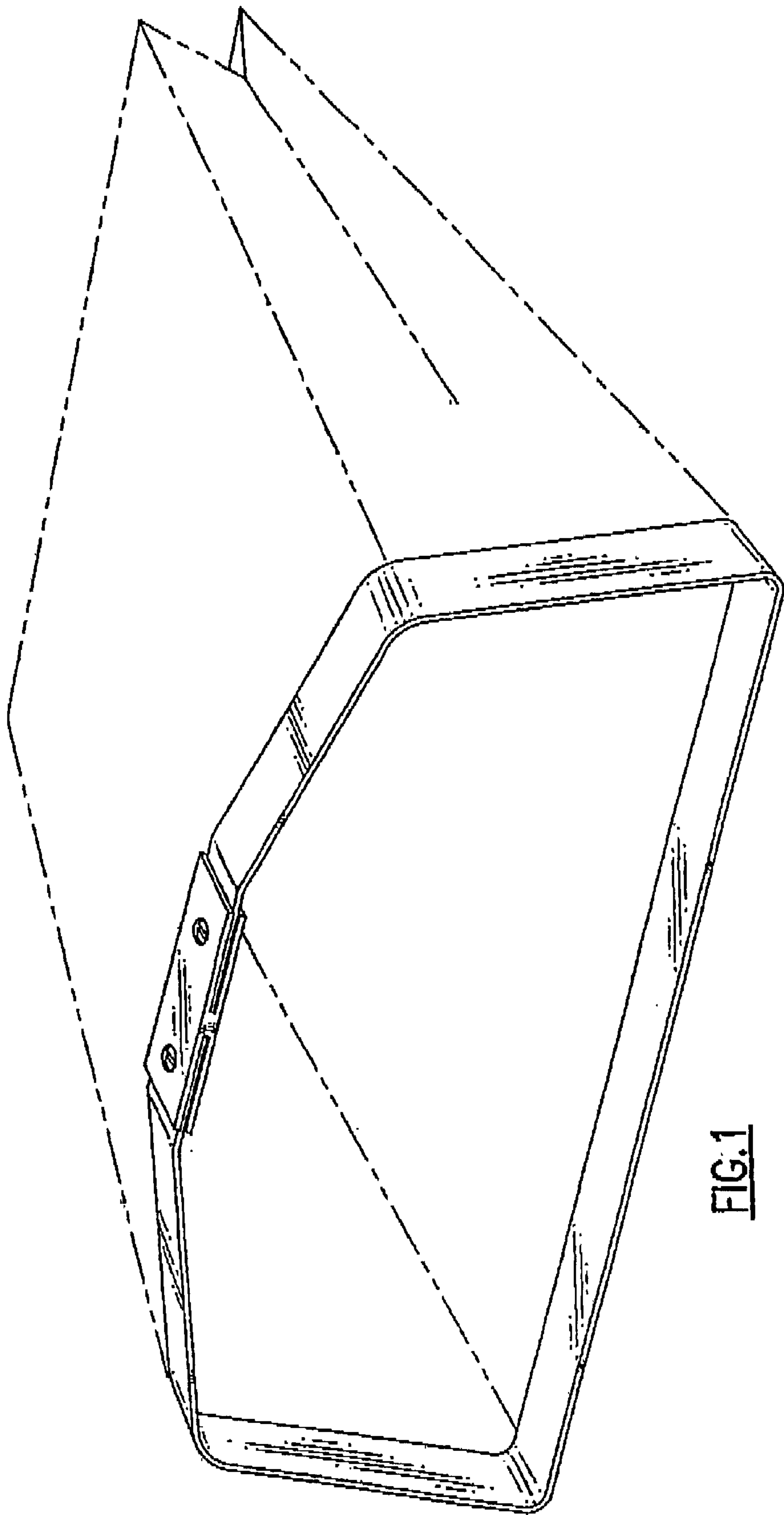


FIG. 1

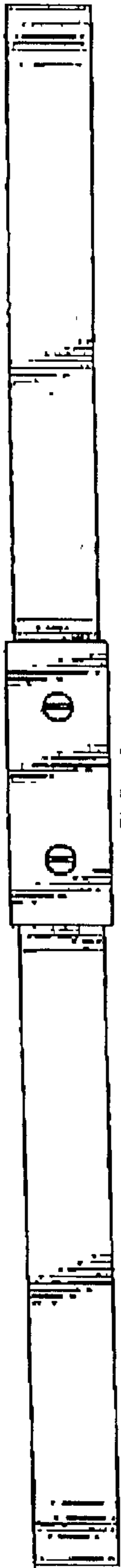


FIG. 4

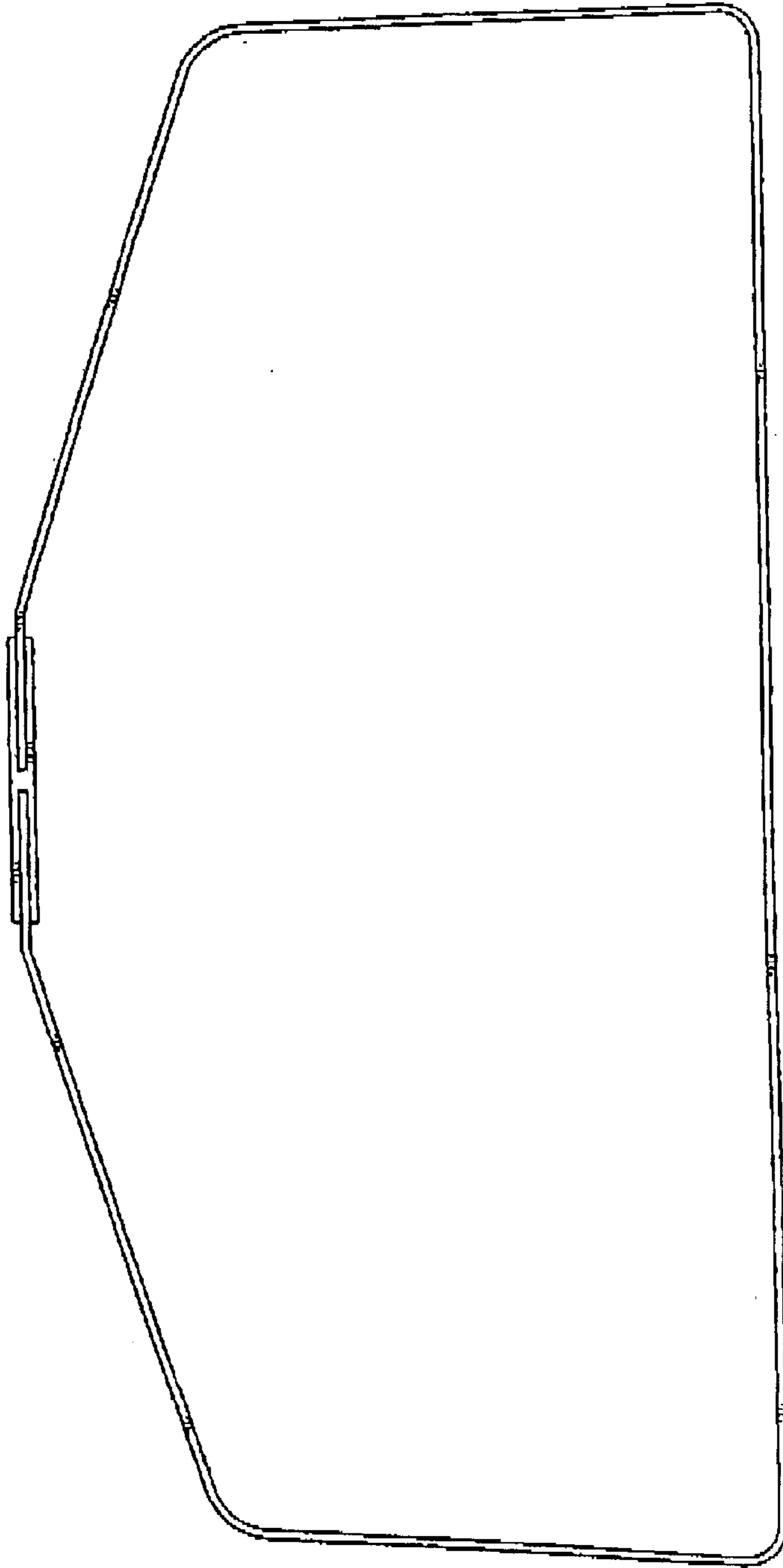


FIG. 2



FIG. 5

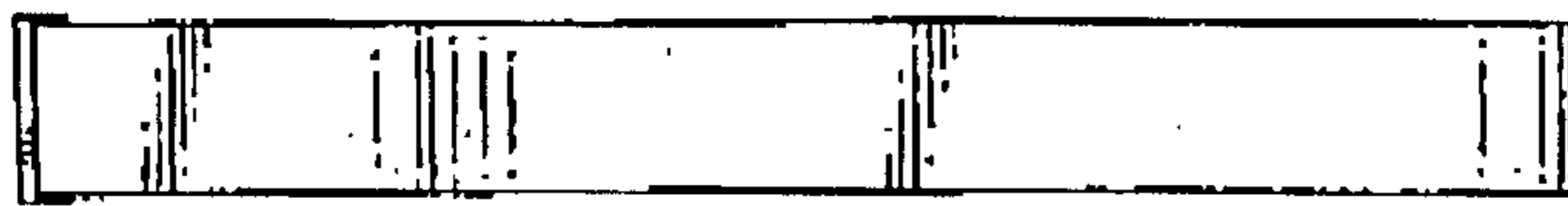


FIG. 3

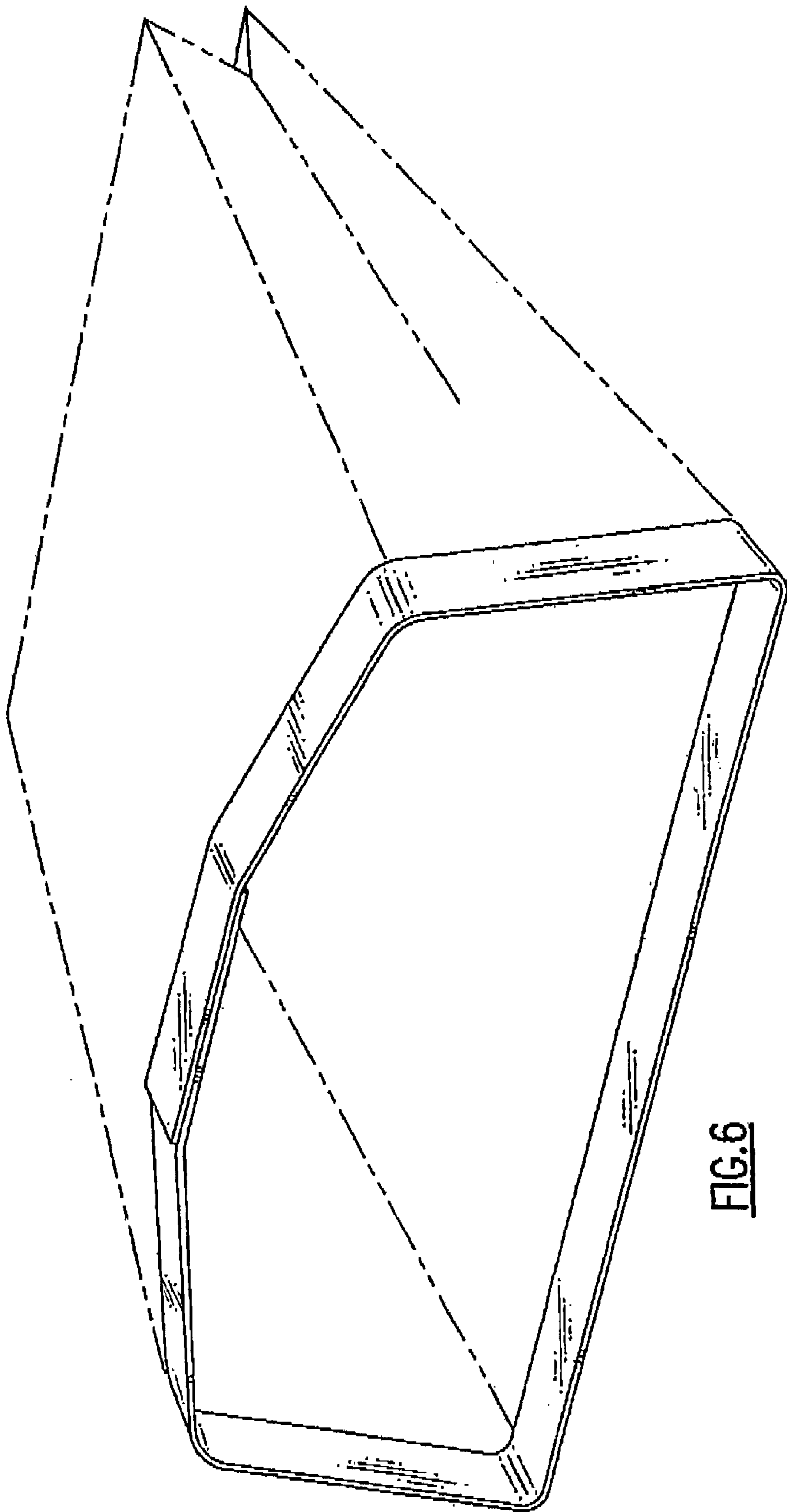


FIG. 6

