



US00D481505S

(12) **United States Design Patent**
Whiteagle

(10) **Patent No.:** **US D481,505 S**

(45) **Date of Patent:** **** Oct. 28, 2003**

- (54) **MOBILE BIN RECEPTACLE**
- (76) Inventor: **Marlys Raguel Whiteagle**, 5806 Julia St., Madison, WI (US) 53705
- (**) Term: **14 Years**
- (21) Appl. No.: **29/157,273**
- (22) Filed: **Mar. 15, 2002**

Related U.S. Application Data

- (63) Continuation of application No. 09/585,845, filed on Jun. 1, 2000.
- (60) Provisional application No. 60/137,200, filed on Jun. 2, 1999.
- (51) **LOC (7) Cl.** **09-09**
- (52) **U.S. Cl.** **D34/5; D34/10**
- (58) **Field of Search** **D34/38, 10, 11; D23/256; D9/455; 248/907, 346.01, 146; D30/129; 220/908, 908.1, 909, 910, 911, 630, 23.4; 224/928, 546, 42.11**

(56) **References Cited**

U.S. PATENT DOCUMENTS

3,163,287 A	12/1964	Barnett	
3,278,008 A	* 10/1966	Larkin	224/540
3,285,398 A	* 11/1966	Larkin	224/540
3,315,798 A	* 4/1967	Mathison	224/540
3,357,614 A	* 12/1967	Berg	224/540
3,395,266 A	* 7/1968	Price	219/433
3,561,589 A	2/1971	Larkin et al.	
3,606,074 A	* 9/1971	Hayes	220/212
3,630,343 A	12/1971	Wohl	
4,009,818 A	* 3/1977	Rogers	229/120.01
4,087,126 A	5/1978	Wynn	
4,143,800 A	3/1979	McCaffrey	
4,466,659 A	8/1984	Carpentier et al.	

4,591,066 A	* 5/1986	Moen	220/634
4,726,553 A	2/1988	Wischusen, III	
4,796,791 A	1/1989	Goss et al.	
4,821,931 A	4/1989	Johnson	
4,905,945 A	* 3/1990	Peterson	248/146
4,930,653 A	* 6/1990	Machado	220/23.4
4,942,990 A	7/1990	White	
5,005,729 A	4/1991	Hollman	
5,038,982 A	8/1991	Salveson	
5,143,247 A	* 9/1992	Gavle	220/630
D331,538 S	* 12/1992	Fabre	D9/455
5,226,576 A	7/1993	Ellsworth	
D340,761 S	* 10/1993	Long	D23/206
5,312,160 A	5/1994	Davis et al.	
5,404,800 A	* 4/1995	Hsu	99/426
D362,525 S	* 9/1995	Kruger	D34/1
5,868,294 A	2/1999	Webster	
D424,443 S	* 5/2000	Panetti	D9/455
6,123,220 A	* 9/2000	Williams	220/737

* cited by examiner

Primary Examiner—Cynthia E. Ramirez
(74) *Attorney, Agent, or Firm*—Michael Best & Friedrich LLP; Jeffrey D. Peterson; Teresa J. Welch

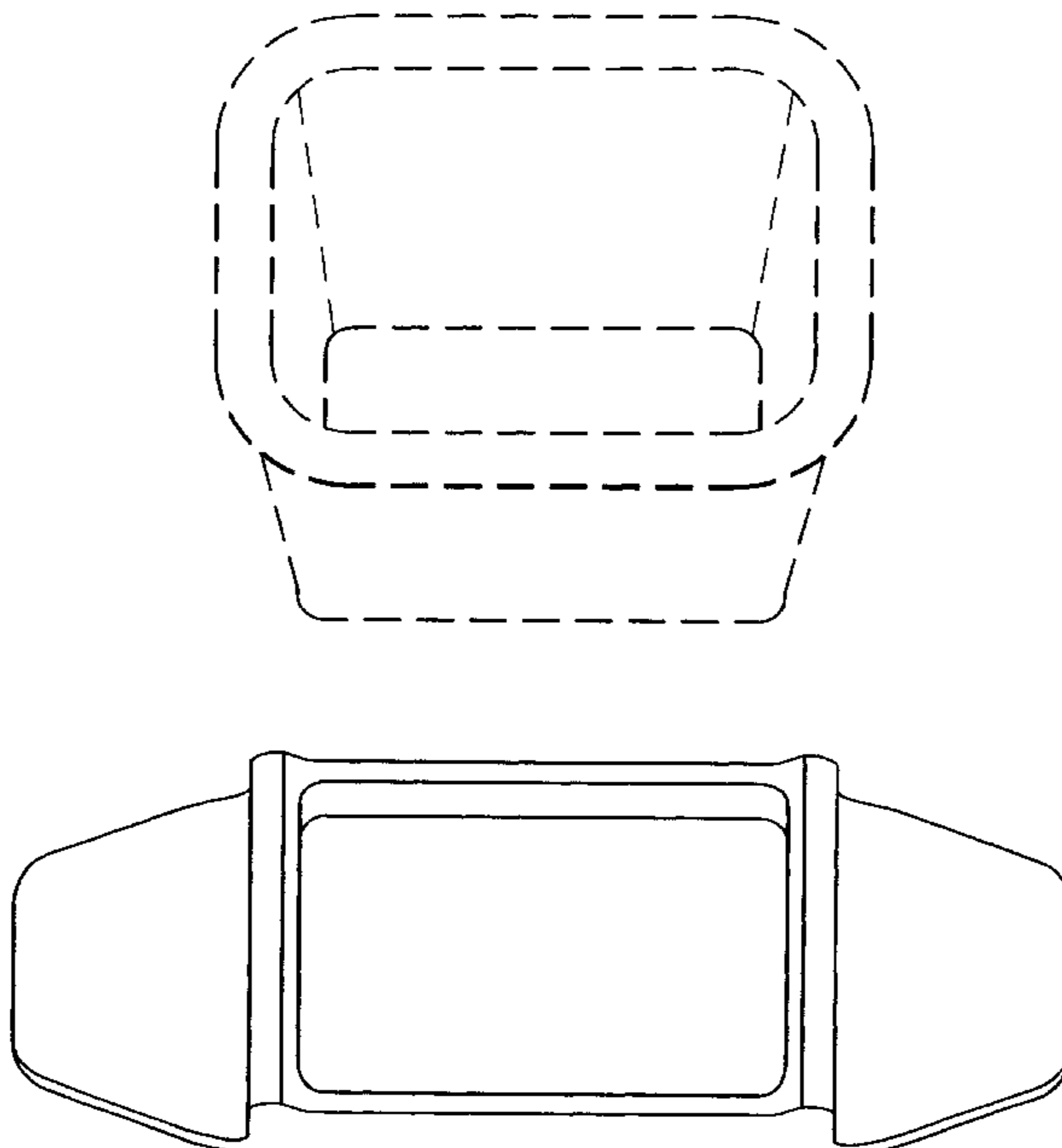
(57) **CLAIM**

The ornamental design for a mobile bin receptacle, as shown and described.

DESCRIPTION

FIG. 1 is a top, exploded perspective view of the mobile bin receptacle showing my new design; and, FIG. 2 is a side, exploded perspective view thereof. The present application is directed to the design illustrated in the drawings. The broken line portions of the disclosure are for illustrative purposes only and form no part of the claimed design.

1 Claim, 2 Drawing Sheets



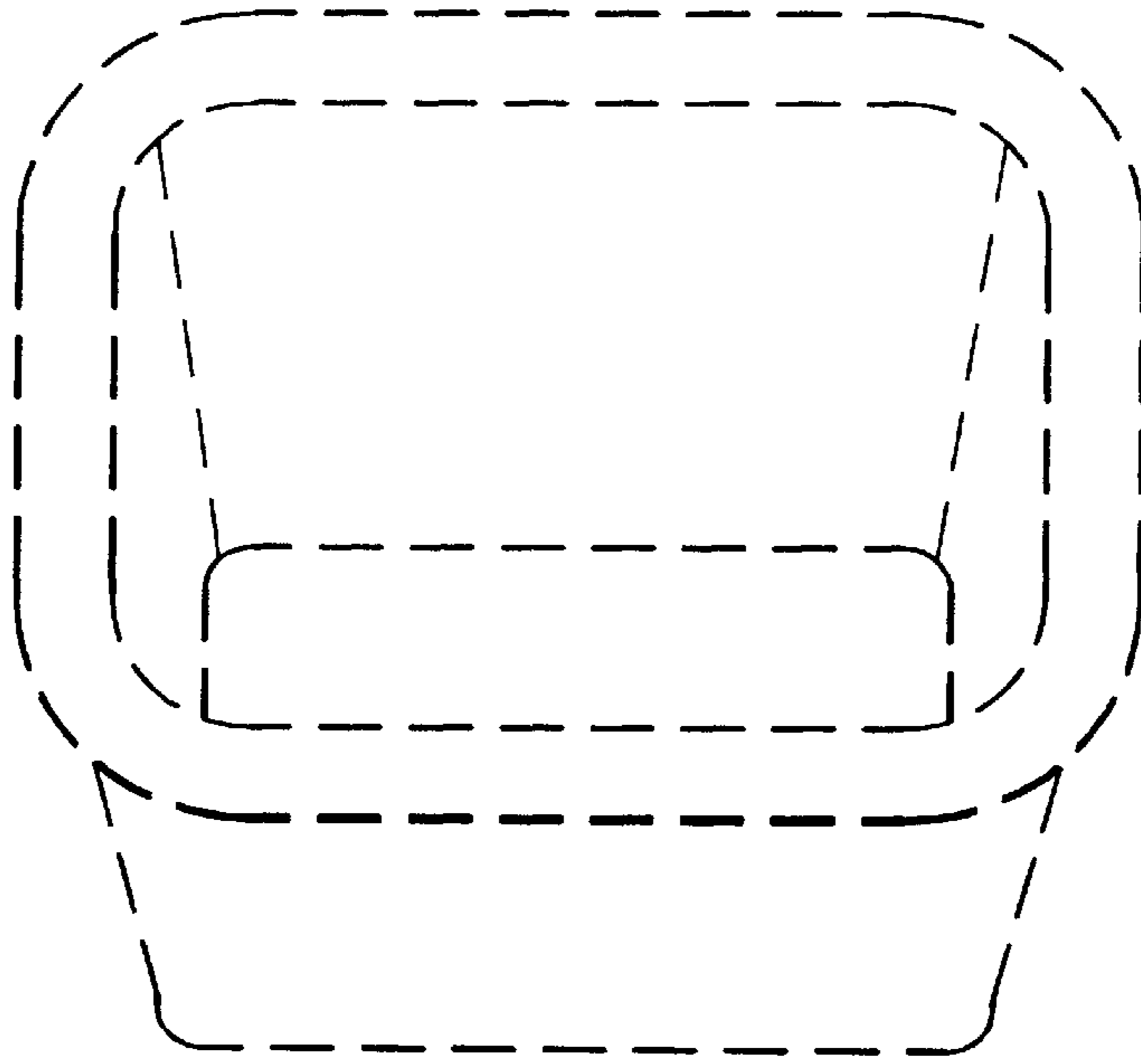


FIG. 1

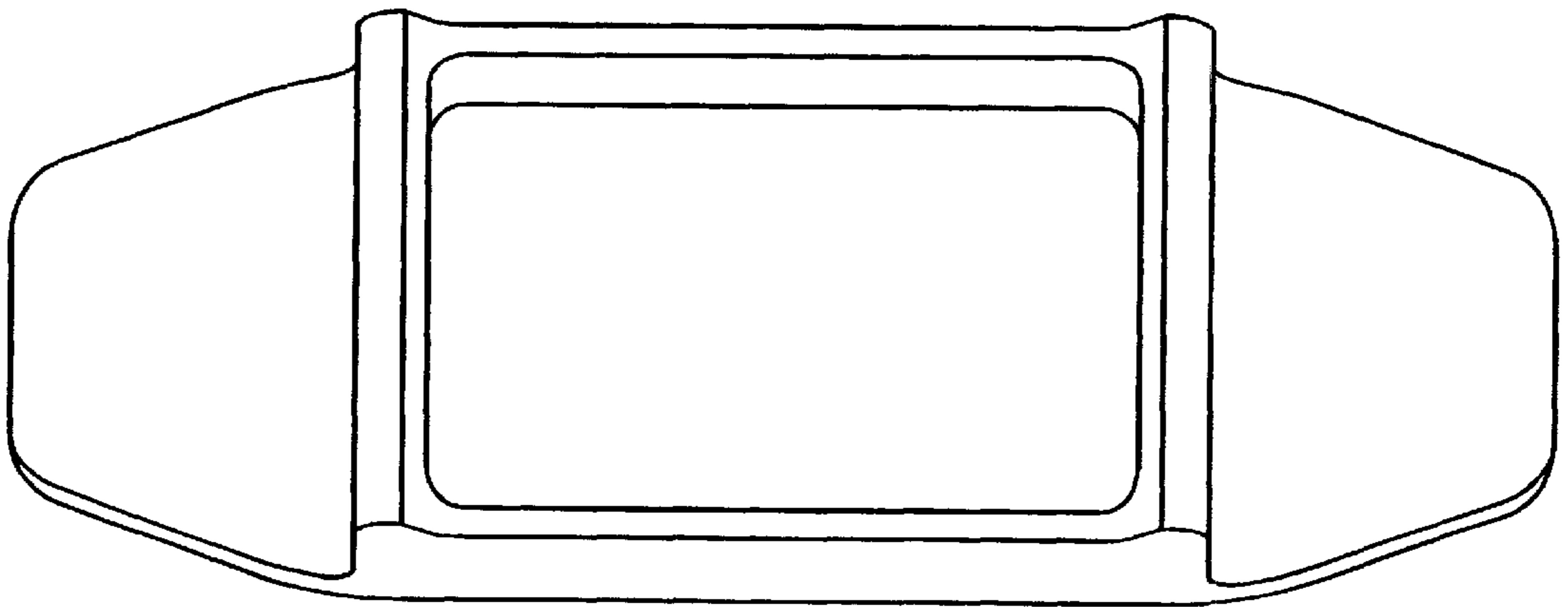


FIG. 2

