



US00D481502S

(12) **United States Design Patent**
Clark

(10) **Patent No.:** **US D481,502 S**

(45) **Date of Patent:** **** Oct. 28, 2003**

(54) **PAINT DISPENSER WITH BRUSH WIPE AND REST**

(76) **Inventor:** **Henry R. Clark**, 2402 Foxwood Rd.
S., Orange Park, FL (US) 32073-6019

(**) **Term:** **14 Years**

(21) **Appl. No.:** **29/180,118**

(22) **Filed:** **Apr. 18, 2003**

(51) **LOC (7) Cl.** **07-07**

(52) **U.S. Cl.** **D32/53.1**

(58) **Field of Search** D32/53, 53.1;
15/248.1, 257.05, 257.06; 206/505, 518-520,
557, 561; 220/500, 505, 555, 604, 669,
675, 695, 697, 735, 736, DIG. 12, DIG. 13,
DIG. 14, 570; D9/341, 347, 424, 425

(56) **References Cited**

U.S. PATENT DOCUMENTS

4,164,299	A	*	8/1979	Fuhr	220/555
4,927,046	A	*	5/1990	Armstrong	220/697
D401,704	S	*	11/1998	Clark	D32/53.1
D457,995	S	*	5/2002	Clark	D32/53.1

* cited by examiner

Primary Examiner—Alan P. Douglas
Assistant Examiner—Lavone D. Tabor
(74) *Attorney, Agent, or Firm*—Harry I. Leon

(57) **CLAIM**

The ornamental design for a paint dispenser with brush wipe and rest, as shown and described.

DESCRIPTION

FIG. 1 is a top, right side perspective view of a paint dispenser with brush wipe and rest showing the design, the broken line disclosure of a person's hands holding the dispenser and a brush so as to wipe it across the cross corner of step are being shown for illustration purposes only and forming no part of the claimed design;

FIG. 2 is a top, right side perspective view of the paint dispenser according to FIG. 1;

FIG. 3 is a top plan view of the paint dispenser;

FIG. 4 is a bottom plan view of the paint dispenser;

FIG. 5 is a front elevational view of the paint dispenser;

FIG. 6 is a rear elevational view of the paint dispensers;

FIG. 7 is a right side perspective view of the paint dispenser;

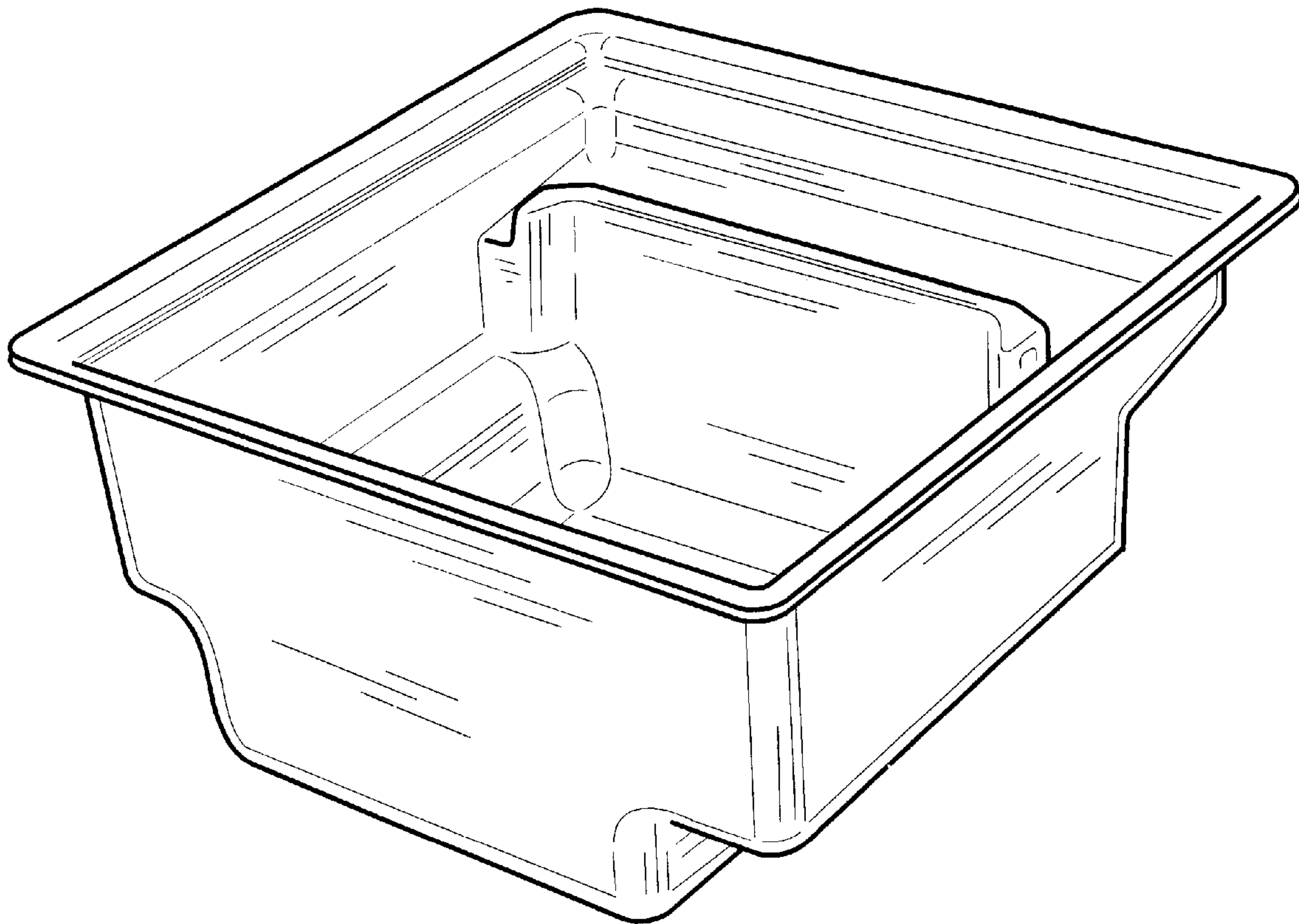
FIG. 8 is a left side perspective view of the paint dispenser;

and,

FIG. 9 is a cross sectional view of the paint dispenser along line 9—9 of FIG. 3.

FIGS. 2-9 are shown on an enlarged scale.

1 Claim, 4 Drawing Sheets



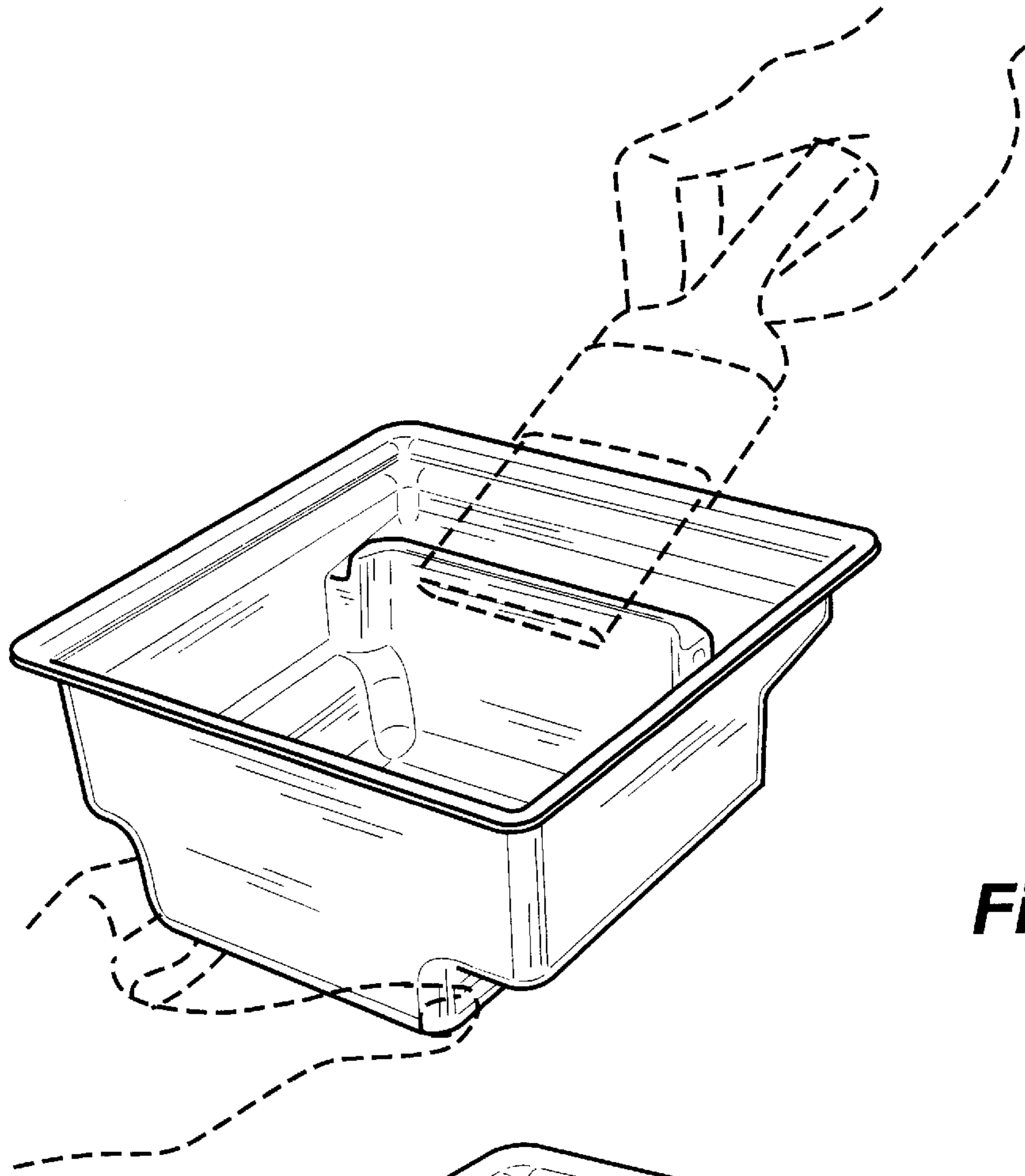


Fig. 1

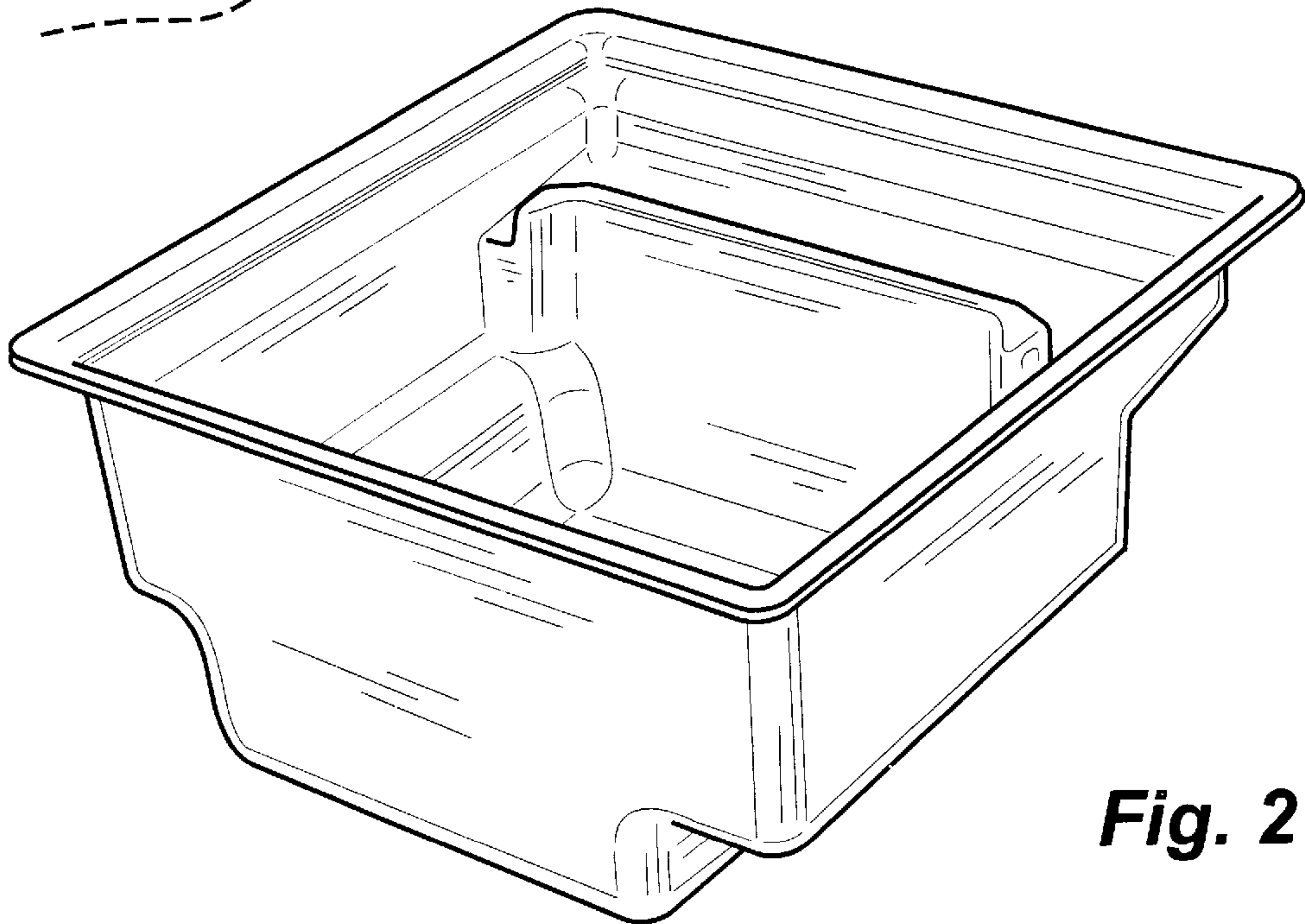


Fig. 2

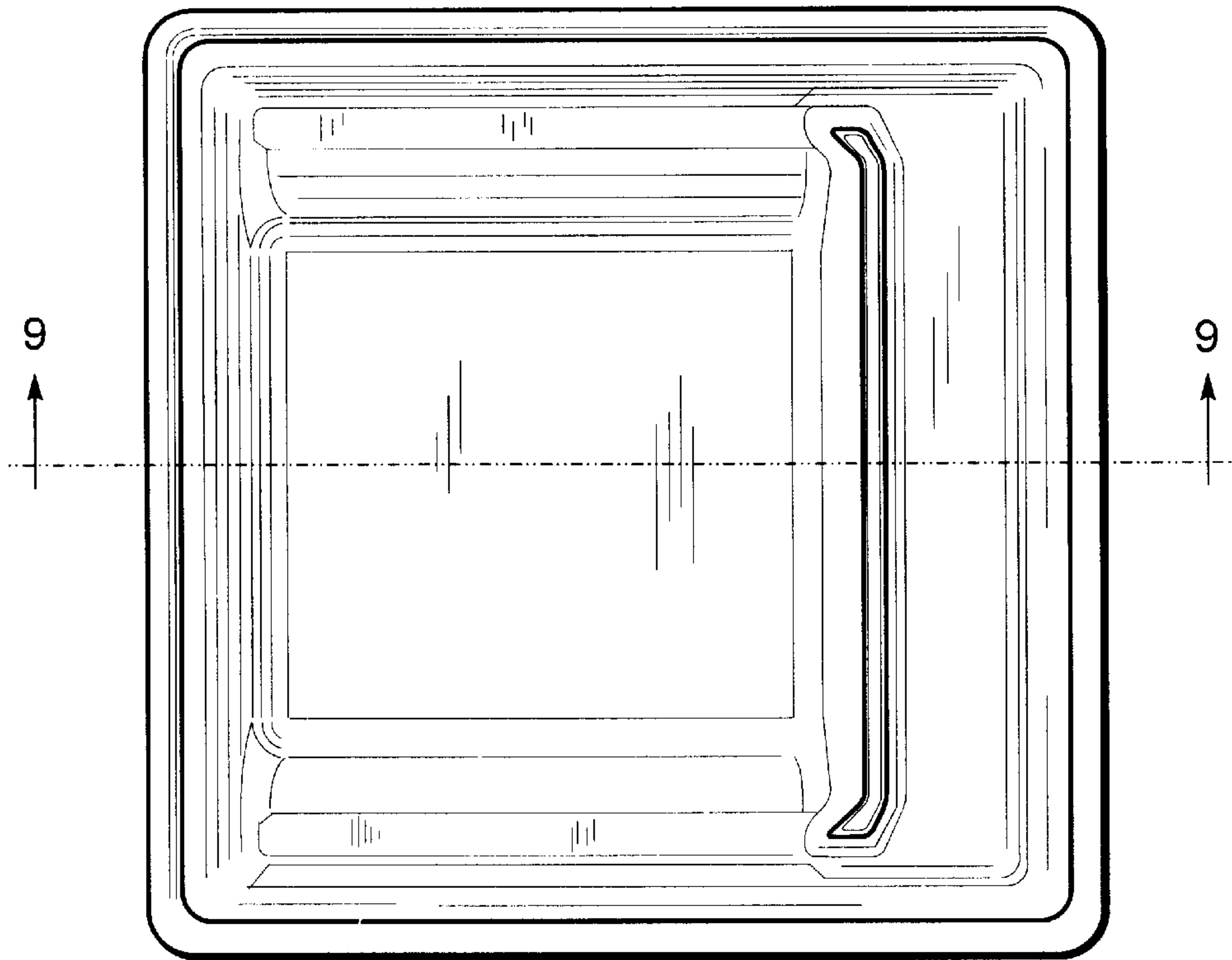


Fig. 3

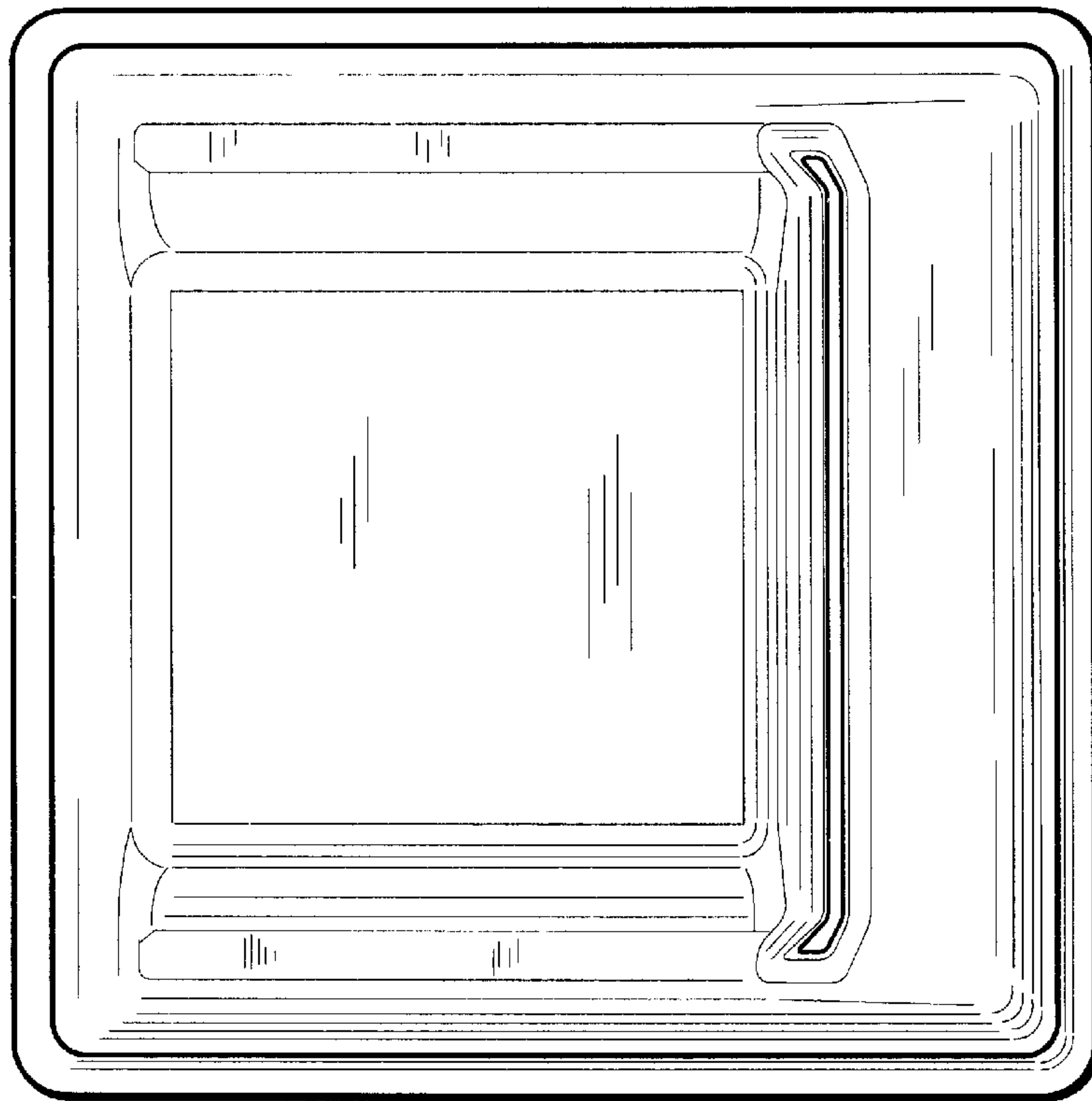


Fig. 4

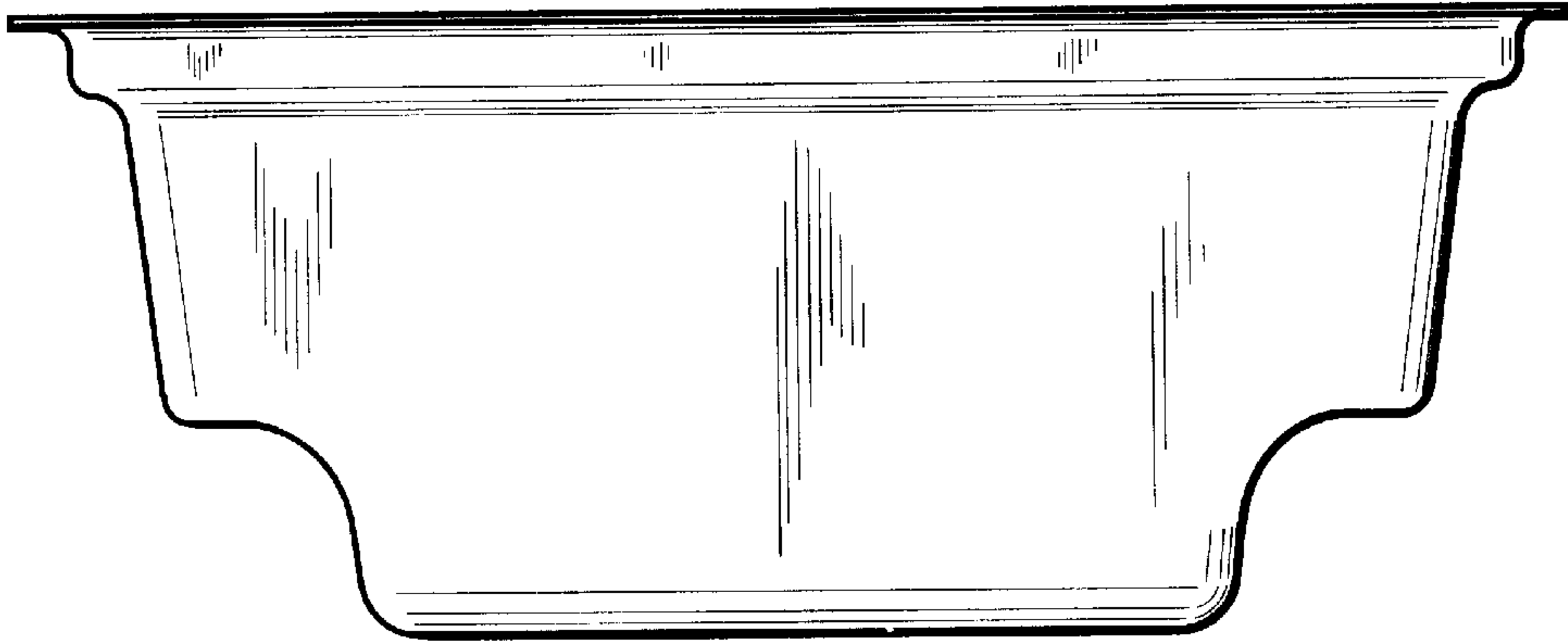


Fig. 5

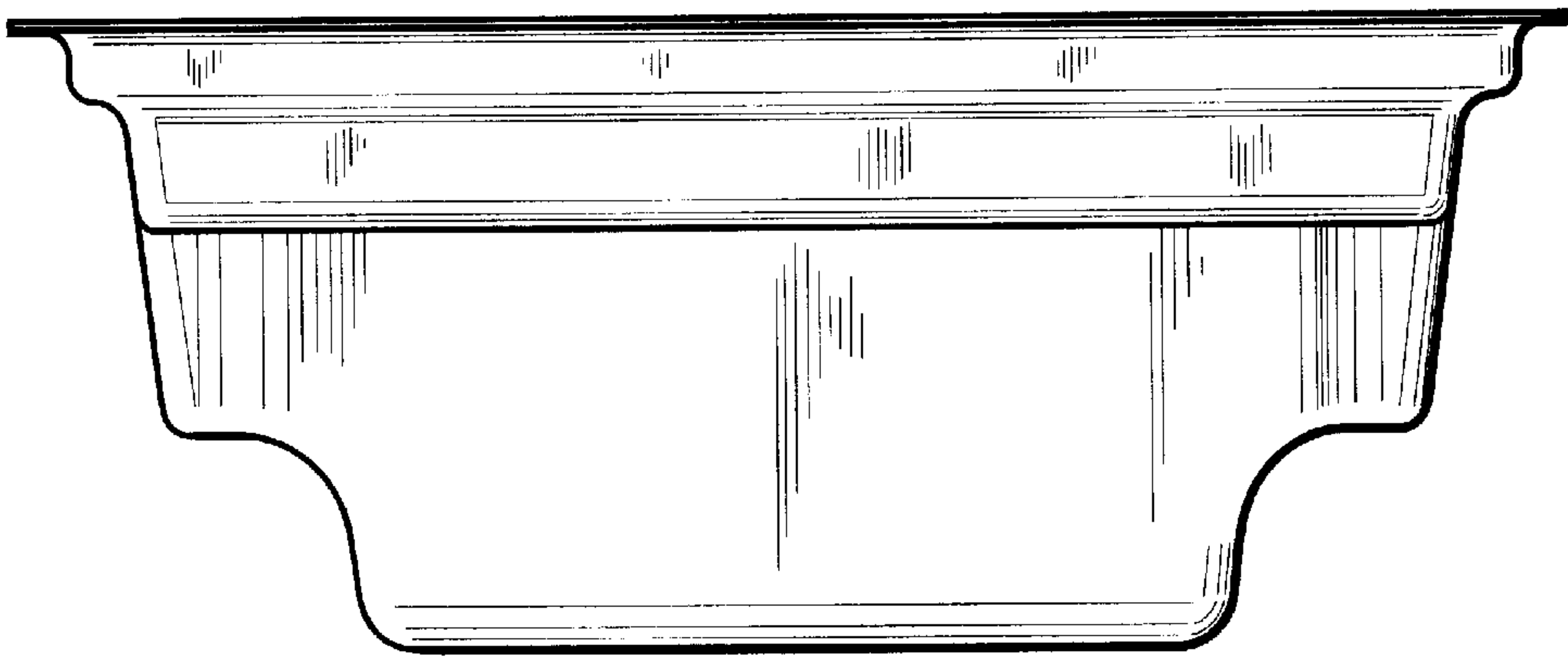


Fig. 6

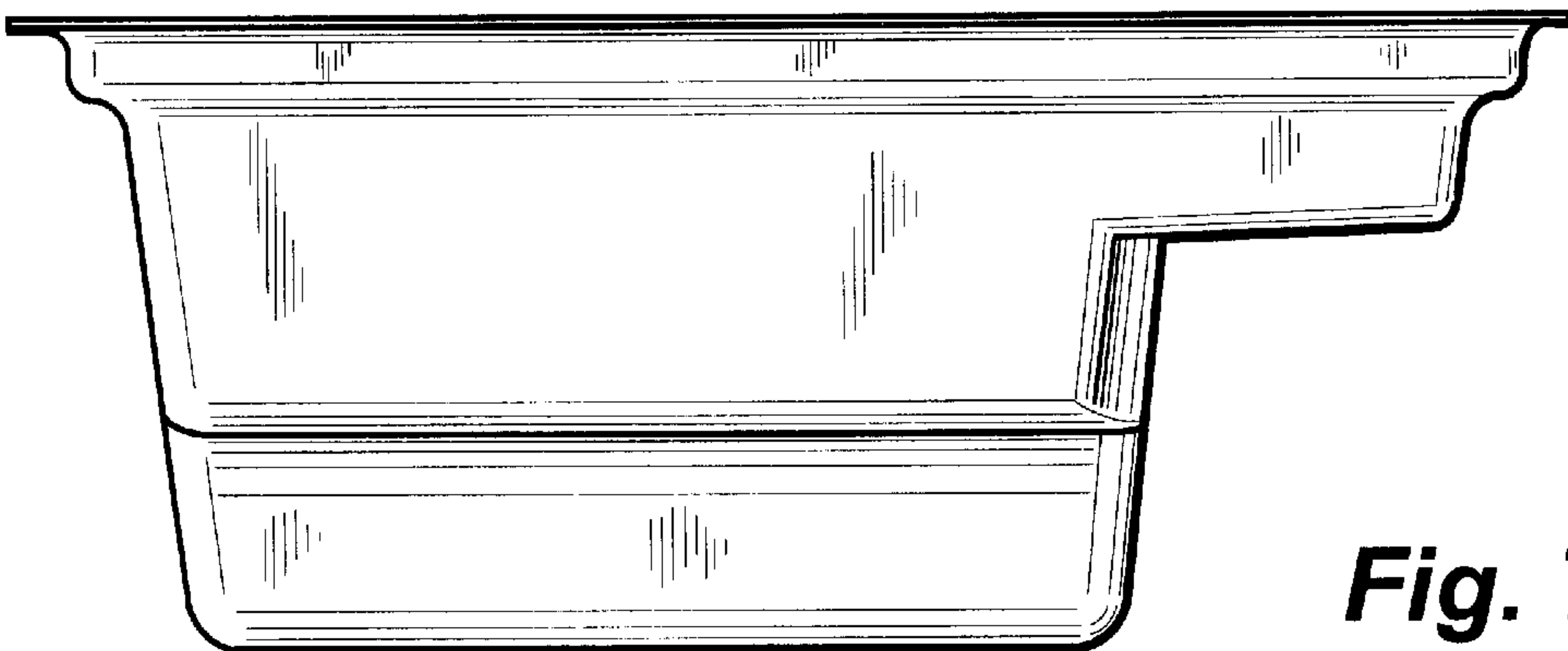


Fig. 7

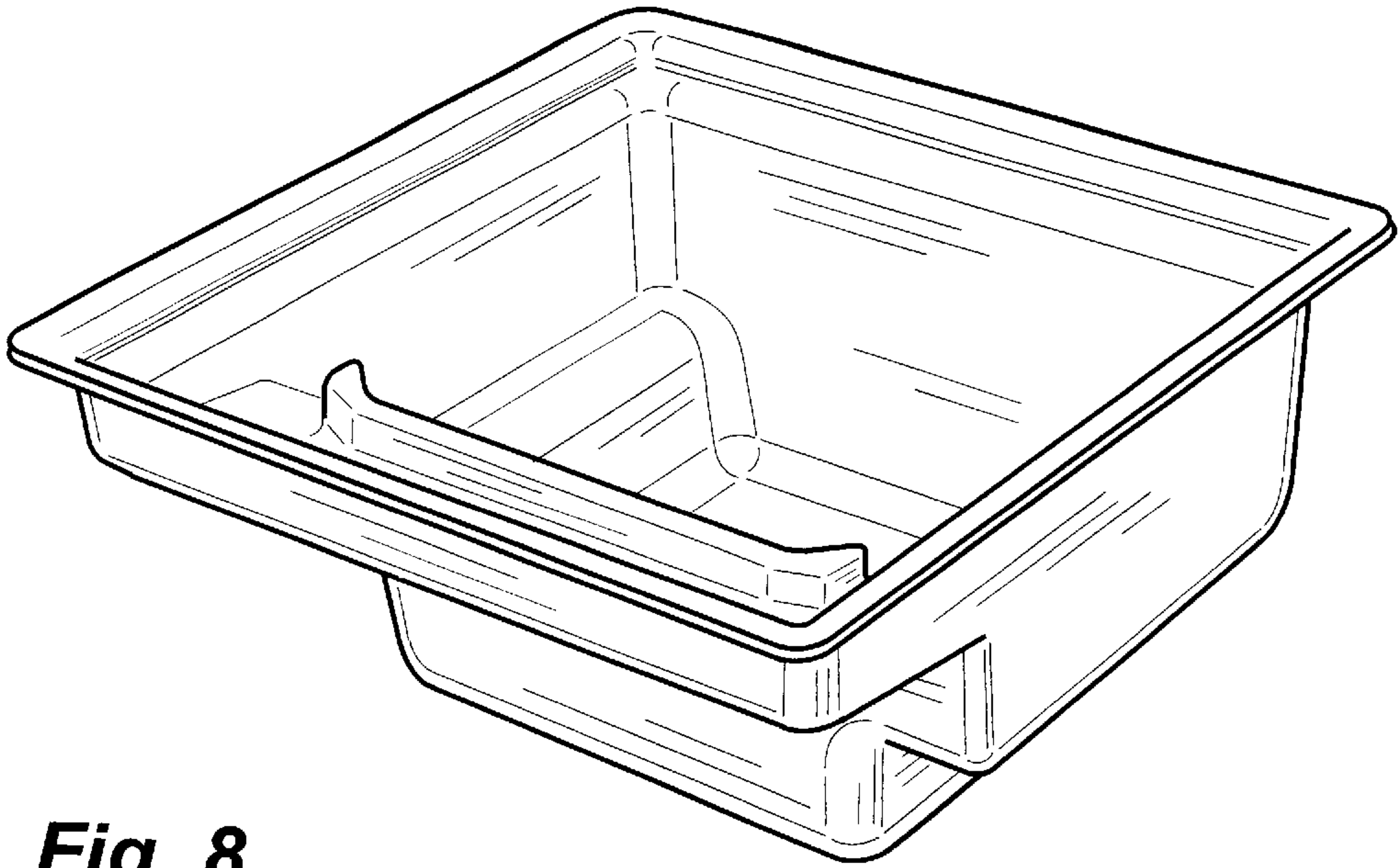


Fig. 8

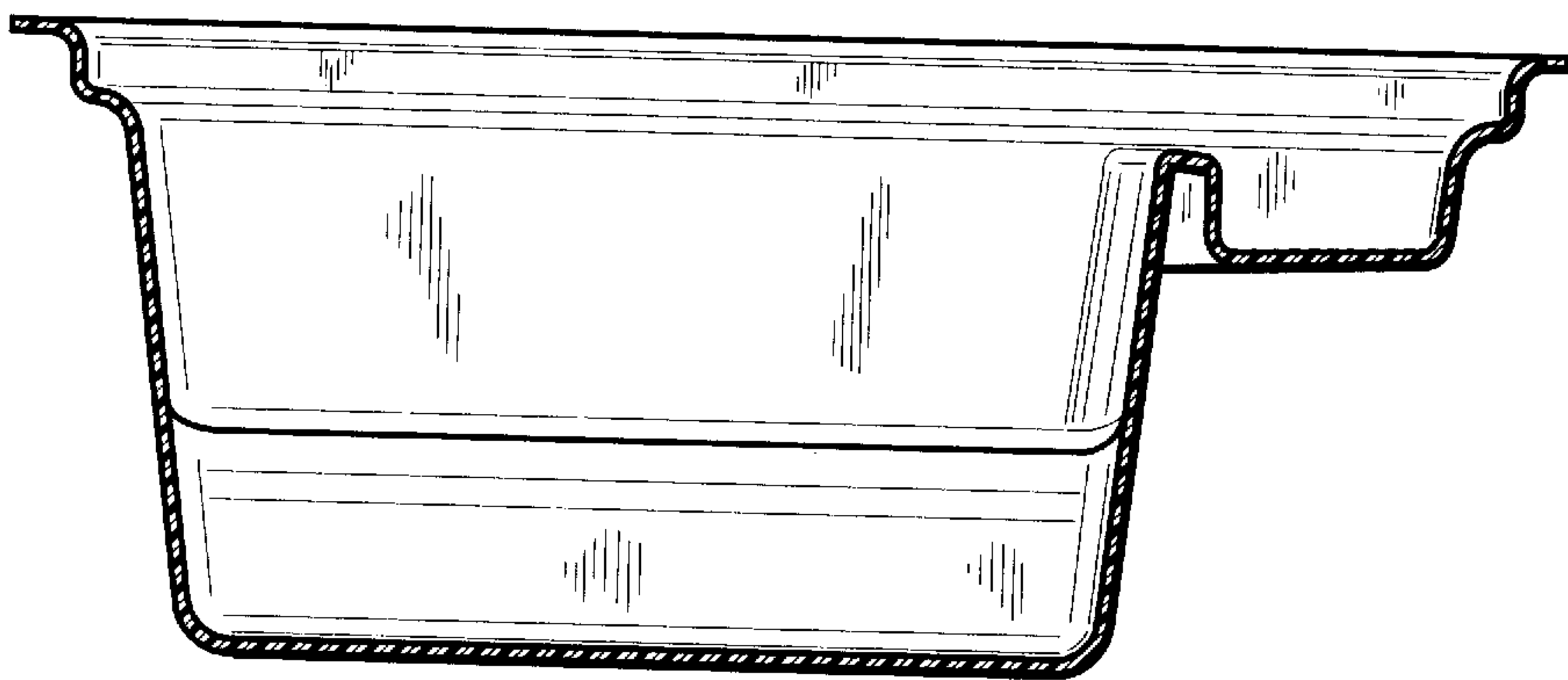


Fig. 9