



US00D481499S

(12) **United States Design Patent**
Moreira da Silva

(10) **Patent No.:** **US D481,499 S**

(45) **Date of Patent:** **** Oct. 28, 2003**

(54) **GLASS DOOR FOR CLOTHES DRYING MACHINE**

(75) **Inventor:** **Claudio Moreira da Silva, Rio Claro (BR)**

(73) **Assignee:** **Multibras S.A. Eletrodomesticos, Sao Paulo (BR)**

(**) **Term:** **14 Years**

(21) **Appl. No.:** **29/176,289**

(22) **Filed:** **Feb. 19, 2003**

D55,351 S	*	5/1920	Wolcott	D32/2
D64,062 S	*	2/1924	Haberman	D32/12
D75,830 S	*	7/1928	Defibaugh	D32/12
D79,581 S	*	10/1929	Schroeder	D32/12
D153,913 S	*	5/1949	Bartlett	D32/2
D187,256 S	*	2/1960	Keating	D7/348
D188,001 S	*	5/1960	Otto	D32/6
D368,619 S	*	4/1996	Garber	D7/339
D403,471 S	*	12/1998	Brace	D32/2
D423,287 S	*	4/2000	Marchand	D7/405
D438,677 S	*	3/2001	Roberts	D32/3
D450,164 S	*	11/2001	Dyson et al.	D32/6
D460,841 S	*	7/2002	Richardson	D32/2

* cited by examiner

Related U.S. Application Data

(62) Division of application No. 29/151,041, filed on Nov. 1, 2001.

(30) **Foreign Application Priority Data**

May 4, 2001 (BR) DI6101066

(51) **LOC (7) Cl.** **15-05**

(52) **U.S. Cl.** **D32/25**

(58) **Field of Search** D32/1-3, 5-6, D32/8, 10, 12, 25; 137/374; 15/DIG. 7; 134/135, 56 D, 58 D, 57 D; 312/102; 68/3 R, 12.27; 34/524, 108, 139; D7/348, 339, 405

(56) **References Cited**

U.S. PATENT DOCUMENTS

D54,441 S * 2/1920 Meyer D32/6

Primary Examiner—Louis S. Zarfaz
Assistant Examiner—Robert A. Delehanty
(74) *Attorney, Agent, or Firm*—Darby & Darby

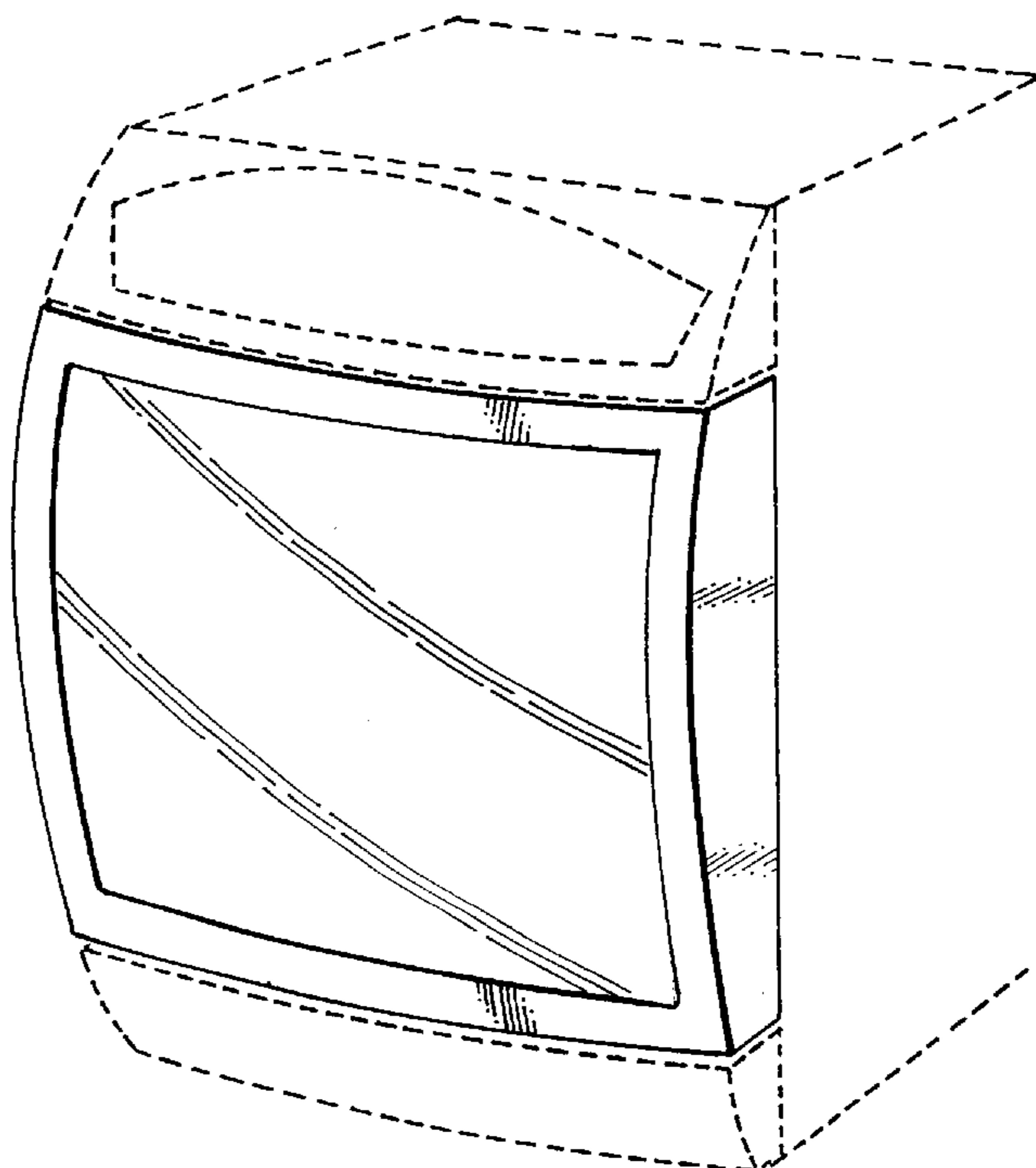
(57) **CLAIM**

The ornamental design for a glass door for clothes drying machine, as shown and described.

DESCRIPTION

FIG. 1 is a front perspective view of a glass door for clothes drying machine showing my new design;
FIG. 2 is a front elevation view thereof; and,
FIG. 3 is a right side elevation view, the left side being a mirror image thereof.

1 Claim, 2 Drawing Sheets



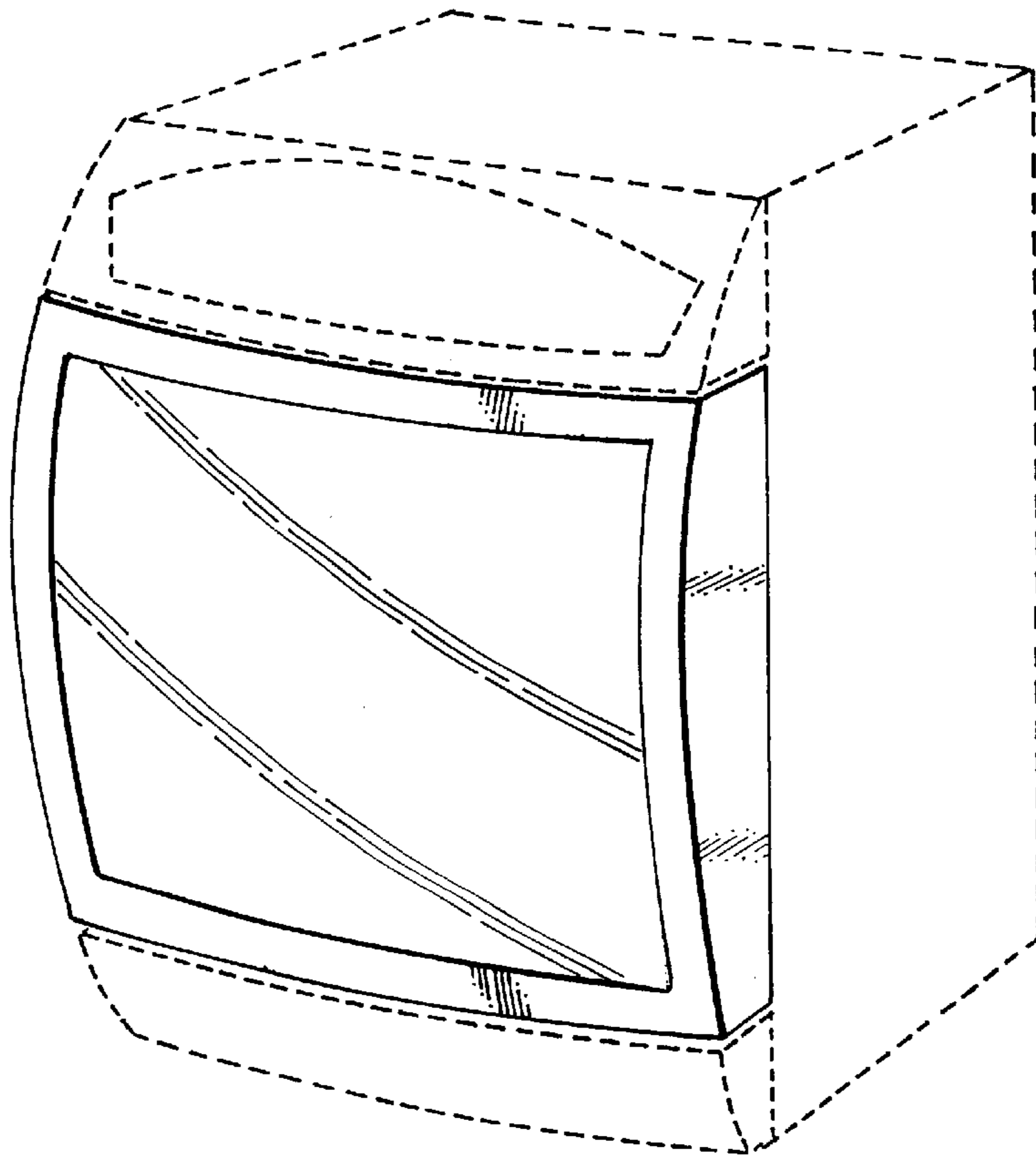


Fig. 1

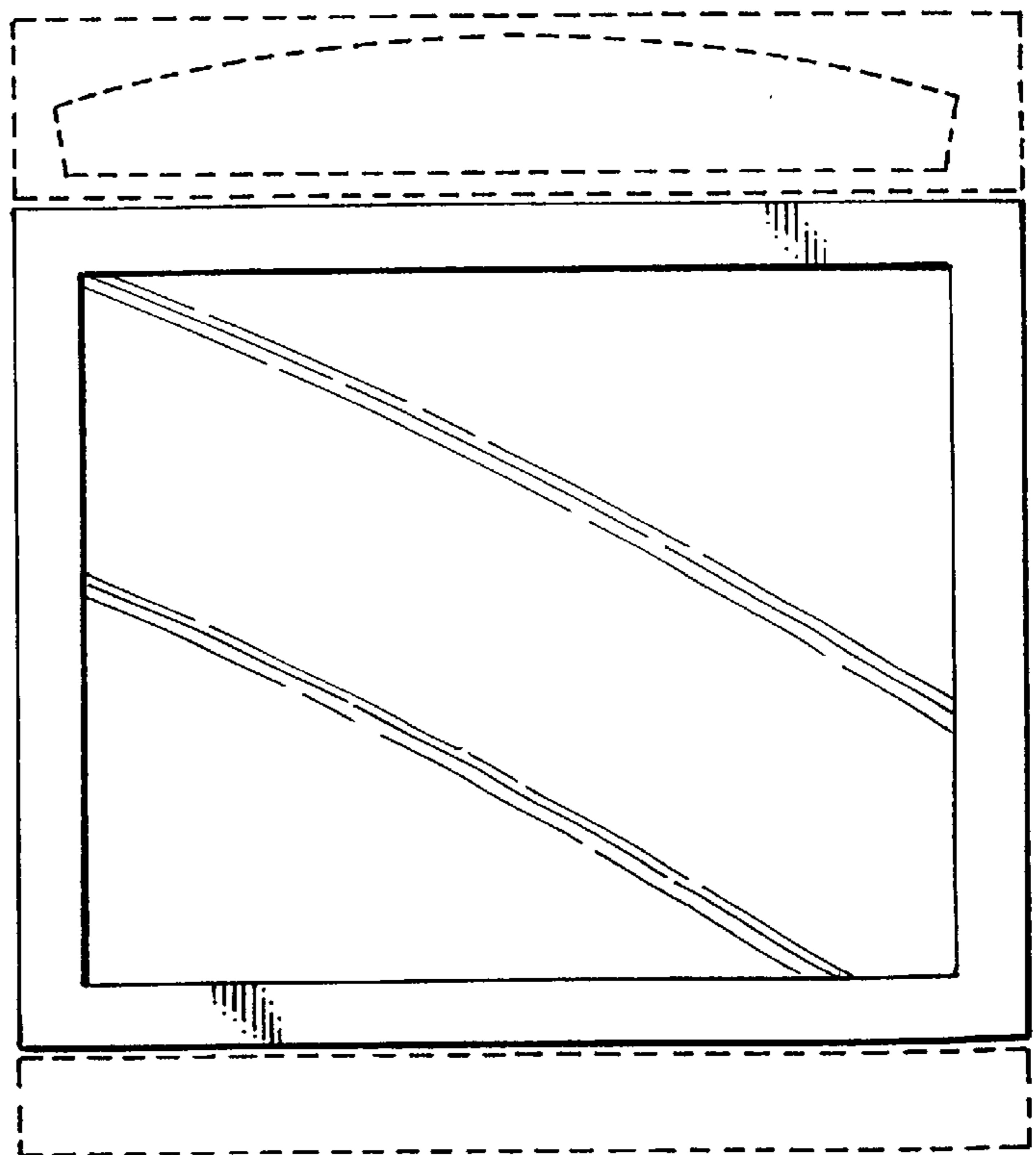


Fig. 2

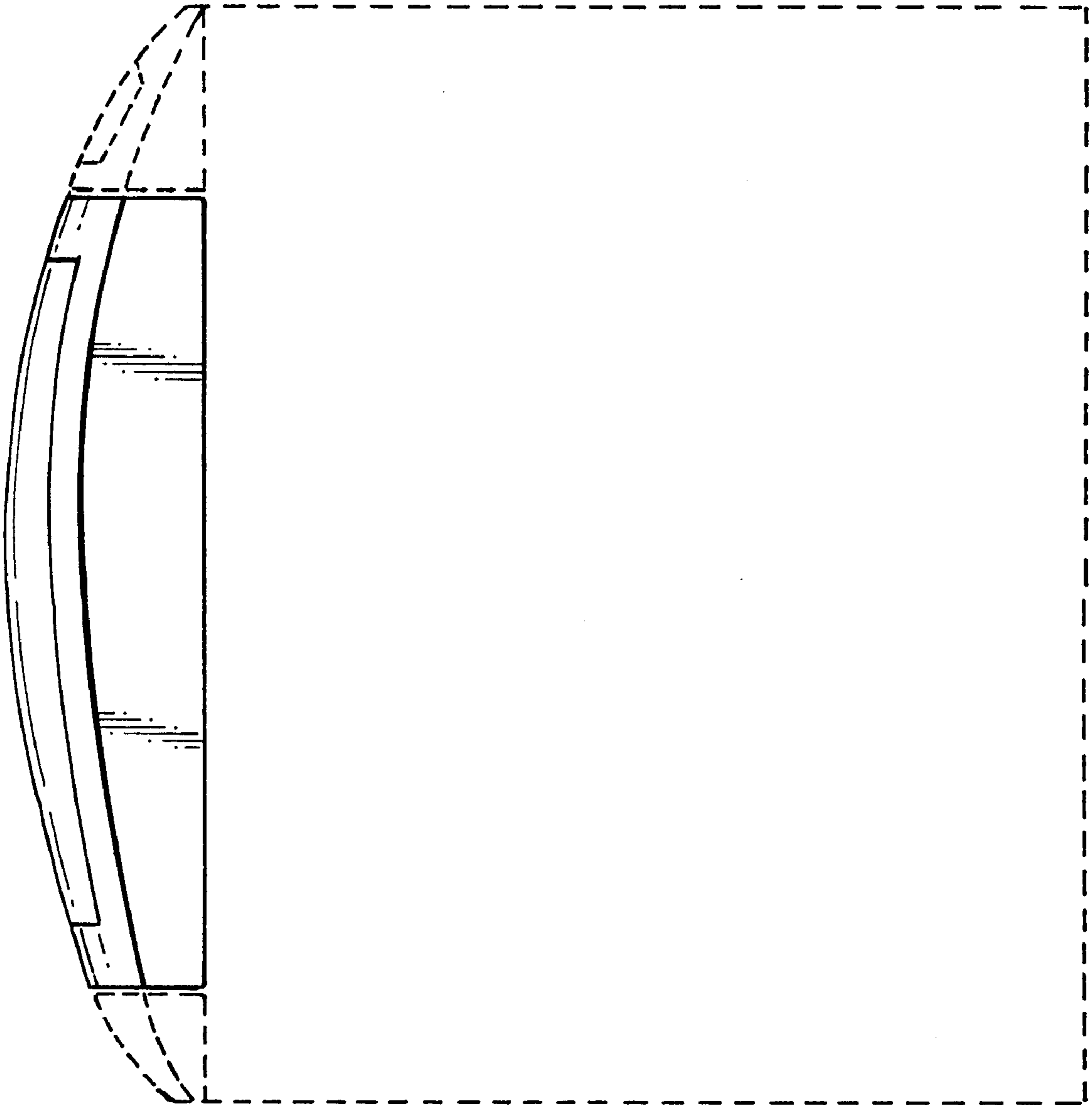


Fig. 3