



US00D481498S

(12) **United States Design Patent**
Pinedo

(10) **Patent No.:** **US D481,498 S**

(45) **Date of Patent:** **** Oct. 28, 2003**

(54) **DRYER TUBE FILTER**

(76) **Inventor:** **Javier Pinedo**, 616 Applewood Ave.,
Altamonte Springs, FL (US) 32714

(**) **Term:** **14 Years**

(21) **Appl. No.:** **29/151,658**

(22) **Filed:** **Dec. 6, 2001**

(51) **LOC (7) Cl.** **15-05**

(52) **U.S. Cl.** **D32/25**

(58) **Field of Search** D32/1-3, 5-6,
D32/8, 10, 12, 25, 30, 31; 137/798; 15/DIG. 7,
347; 134/135; 68/3 R; 34/524, 108, 139

(56) **References Cited**

U.S. PATENT DOCUMENTS

1,797,557 A	*	3/1931	Stine et al.	15/345
1,861,261 A	*	5/1932	Carson	15/347 X
D187,689 S	*	4/1960	Aldrich	D32/30
3,082,465 A	*	3/1963	Wood	15/353 X
D209,735 S	*	1/1968	Smith	D32/25

4,138,337 A	*	2/1979	Smith	210/282
4,237,621 A	*	12/1980	Boismenu	34/108
5,651,188 A	*	7/1997	Swanson et al.	34/82
D407,870 S	*	4/1999	Pappas	D32/25
6,003,196 A	*	12/1999	Wright et al.	15/347 X
6,328,639 B1	*	12/2001	Pujol	134/104.3

* cited by examiner

Primary Examiner—Louis S. Zarfes

Assistant Examiner—Robert A. Delehanty

(74) *Attorney, Agent, or Firm*—John L. DeAngelis, Jr.;
Beusse Brownlee Bowdoin & Wolter, P.A.

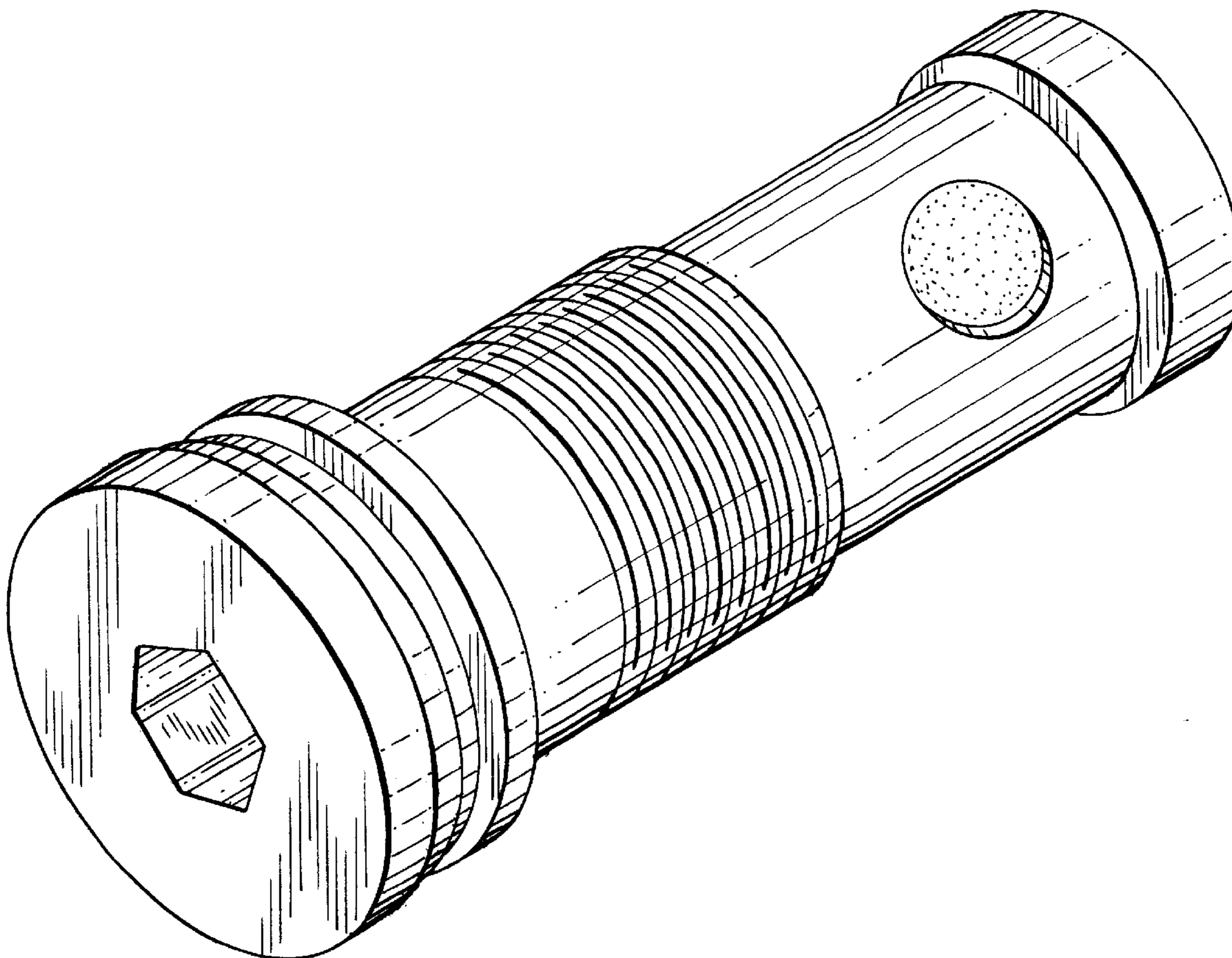
(57) **CLAIM**

The ornamental design for a dryer tube filter, as shown and described.

DESCRIPTION

FIG. 1 is a perspective view of the dryer tube filter;
FIG. 2 is a front view of the dryer tube filter;
FIG. 3 is a top view of the dryer tube filter; and,
FIG. 4 is a bottom view of the dryer tube filter.

1 Claim, 3 Drawing Sheets



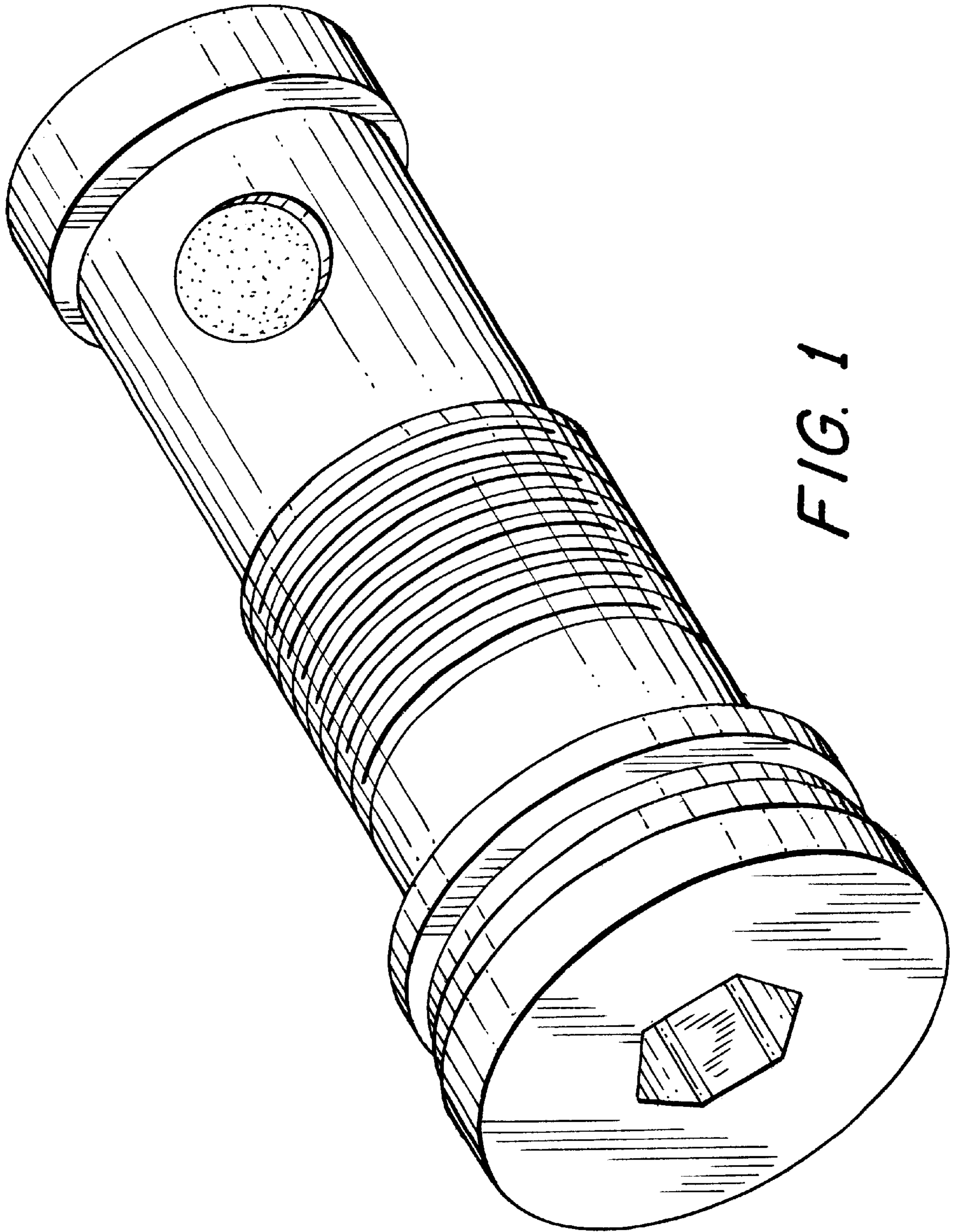


FIG. 1

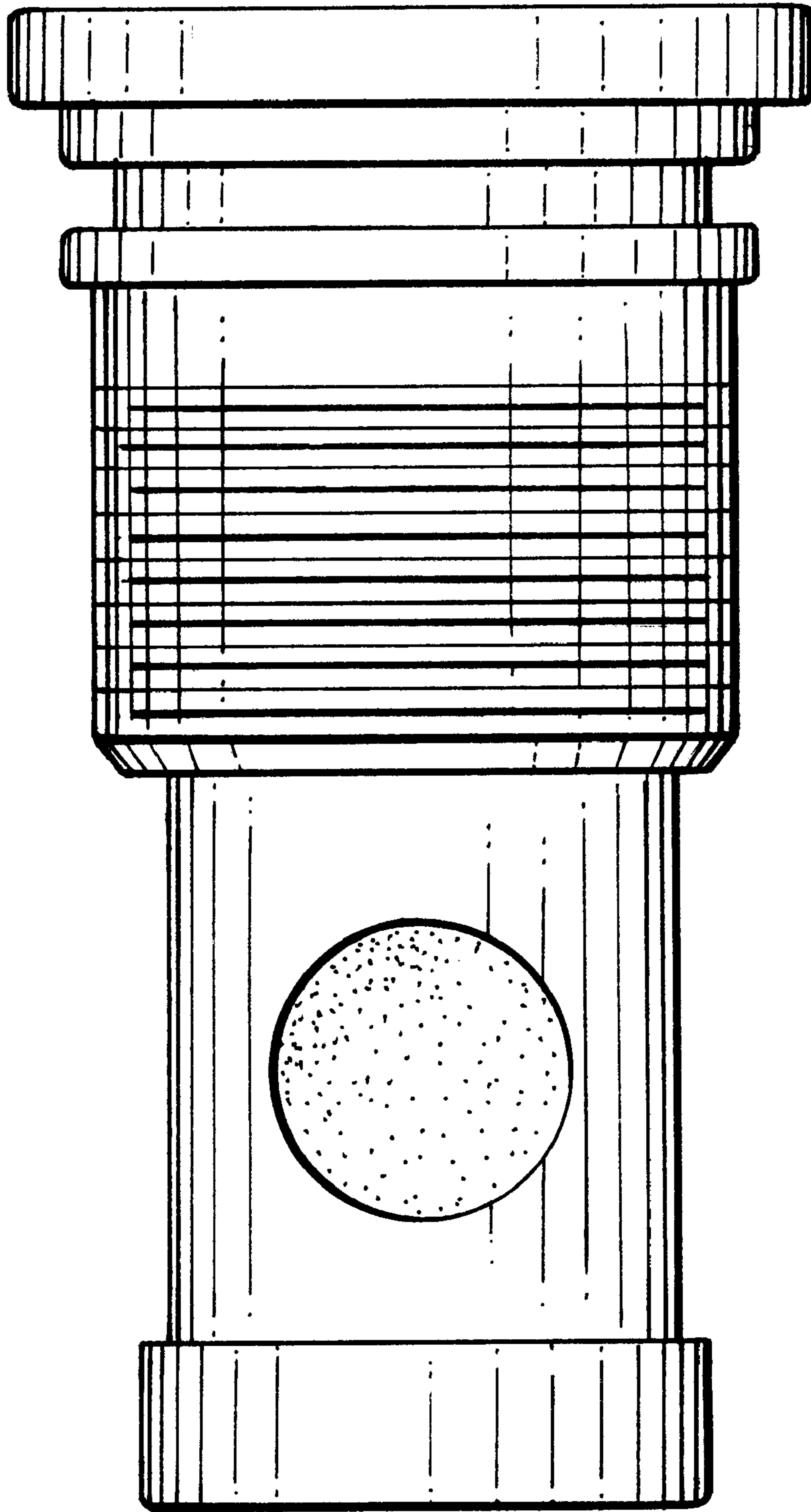


FIG. 2

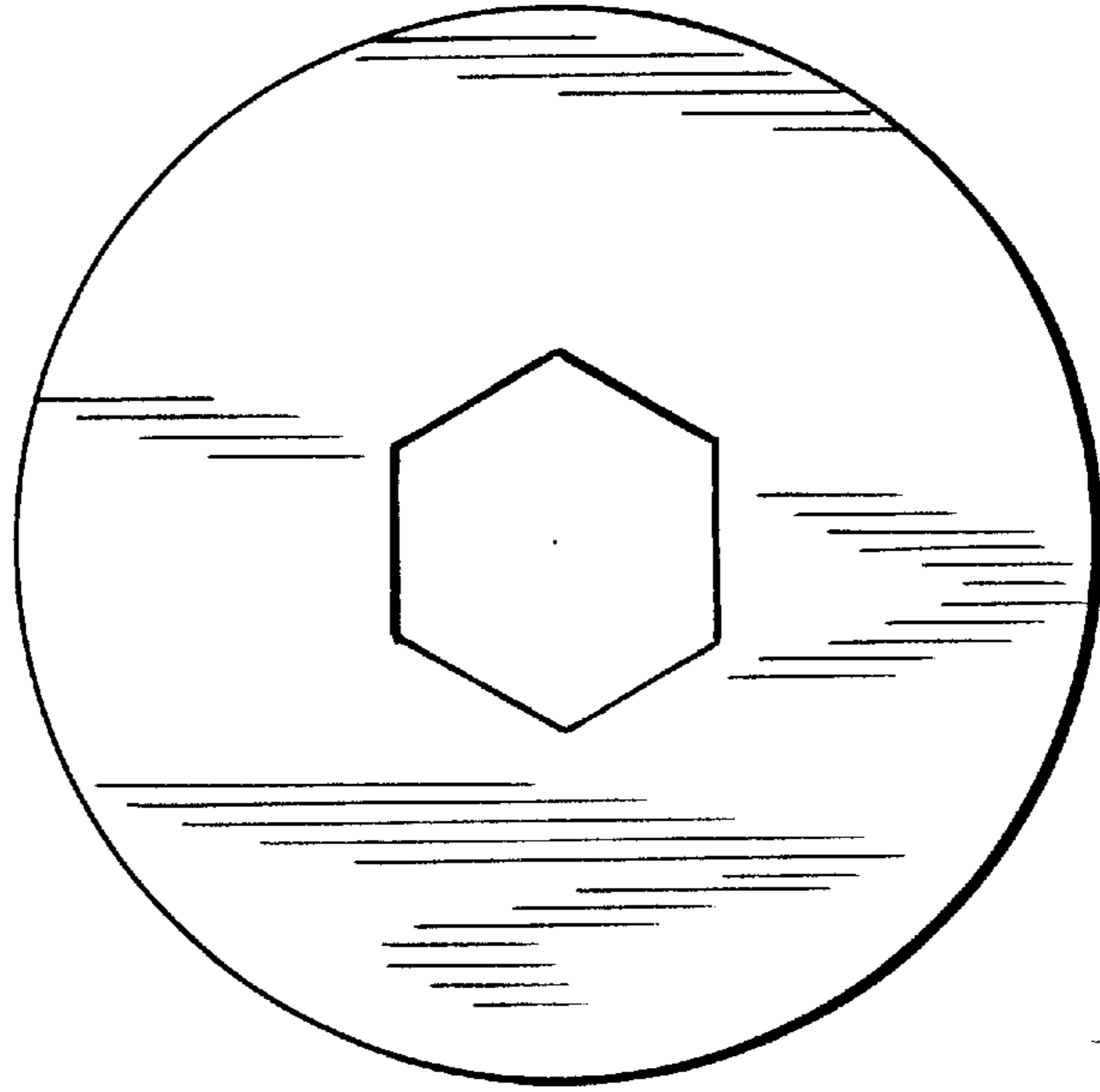


FIG. 3

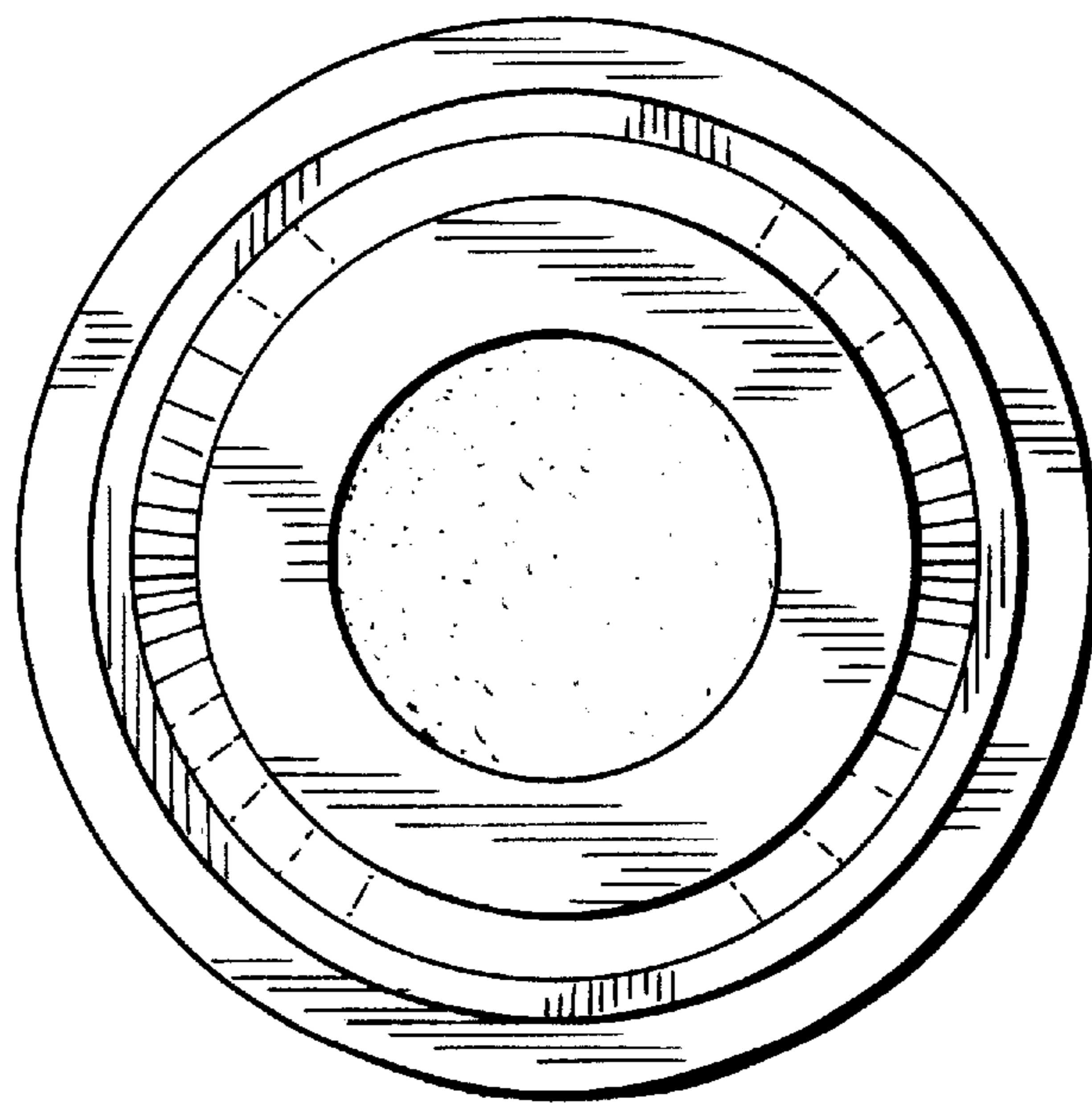


FIG. 4